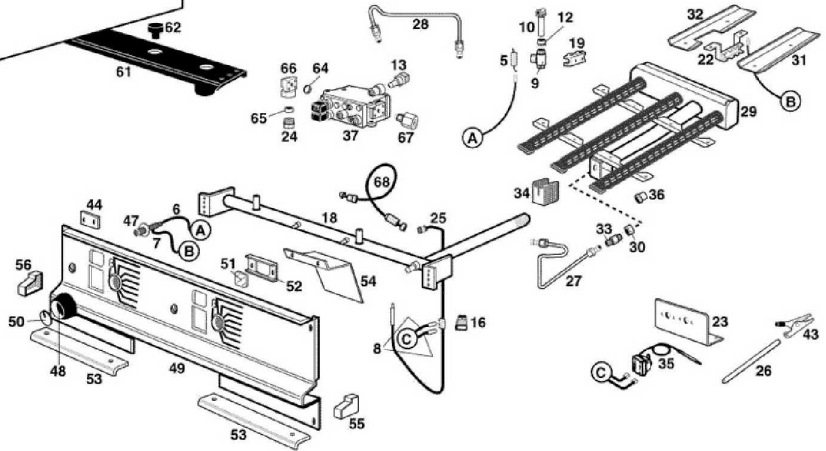
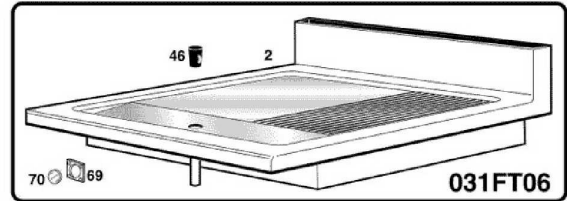
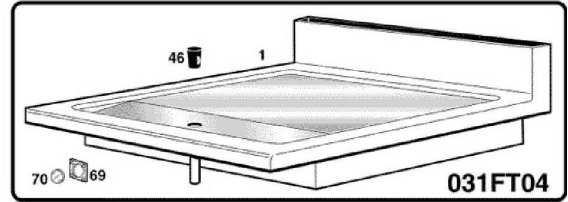
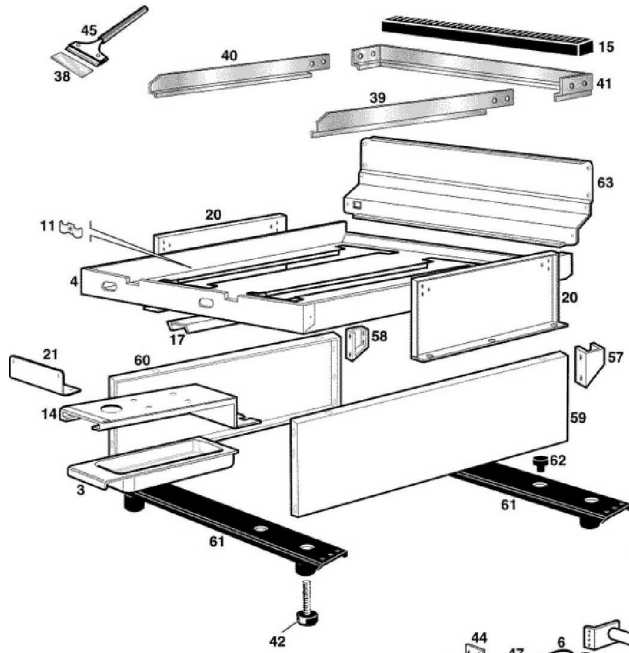




031FT04

Edition 20100713-



Pos	Code	Description	Info
001	30M1720	SMOOTH PLATE ASS. Y	01/09/1996-
003	35W4150	TRAY	01/09/1996-
004	35D1250	COMBUSTION CHAMBER	01/09/1996-
005	32T0010	IGNITION PLUG	27/01/2010-
006	32A0431	CABLE "HF" 600MM	07/10/2009-
007	32A0441	EARTH CABLE 600 MM	24/11/1997-
008	32A1690	CABLE 300MM	01/09/1996-
009	33A0960	PILOT BURNER BODY Ø0,25	01/09/1996-
010	33A1081	THREE-FLAME BURNER	24/04/2008-
011	35T3540	BULB HOLDER	01/09/1996-
012	33A0970	RING NUT	01/09/1996-
013	33Q0720	PILOT JOINT	01/09/1996-
014	35V7590	TRAY GUIDE	01/09/1996-
015	35B2070	FLUE GUARD	01/09/1996-
016	32D1450	TERMINAL	31/01/2003-
017	35V7570	"U" BRACKET	01/09/1996-
018	30Z0700	GAS MANIFOLD	01/09/1996-
019	33A0950	REAR BRACKET	01/09/1996-
020	35V7550	COMB. CHAMBER SUPPORT	01/09/1996-
021	35V7560	GUIDE SUPPORT	01/09/1996-
022	35V2570	PILOT BURNER SUPPORT	01/09/1996-
023	35V1750	THERMOSTATS SUPPORT	01/09/1996-
024	36Q0710	BICONE SCREW Ø 12	01/09/1996-
025	33A0140	INTERRUPTED THERMOC. M9X1X600	01/09/1996-
026	3601120	PIPE	01/09/1996-
027	35X3000	BURNER PIPE ASS. Y	01/09/1996-
028	35X3010	PILOT PIPE ASS. Y	01/09/1996-
029	34A0110	BURNER	01/09/1996-
030	36Q1110	LOCK NUT 3/8"	01/09/1996-
031	35D1320	BAFFLE	01/09/1996-
032	35D1330	DEFLECTOR	01/09/1996-
033	3035340	NOZZLE HOUSING	24/07/2006-
034	35V7170	NOZZLE GUARD	01/09/1996-
035	32Z1400	SAFETY THERMOSTAT	01/09/1996-
036	36C1170	BUSHING Ø 9	01/09/1996-
036	36C1180	BUSHING Ø 11	01/09/1996-
037	33A1031	GAS THERMOST. 110- 340° C	01/09/1996-
038	36X0010	BLADE	01/09/1996-
039	30A3270	SPLASH GUARD	01/09/1996-
040	30A3280	SPLASH GUARD	01/09/1996-
041	35C2800	SPLASH GUARD	01/09/1996-
042	36D2970	ADJUSTABLE FOOT	01/09/1996-
043	3601110	TERMINAL	01/09/1996-
044	35T9650	FLAT BRACKET	01/09/1996-
045	36X0020	SCRAPER	01/09/1996-
046	3115040	PLUG	31/01/2008-
047	3166990	PIEZO IGNITION	13/07/2010-
048	36M2580	GAS THERMOSTAT KNOB	01/09/1996-
049	35C2150	UPPER CONTROL BOARD	01/09/1996-
050	36M2800	KNOB PLATE	01/09/1996-
051	37M0860	PLATE	01/09/1996-

Pos	Code	Description	Info
052	35V7280	"U" BRACKET	01/09/1996-
053	35V7580	BRACKET	01/09/1996-
054	35V1330	THERMOSTATS PROTECT	01/09/1996-
055	36D3420	RH END SIDE	01/09/1996-
056	36D3430	LH END SIDE	01/09/1996-
057	35Q8300	RIGHT HAND PANEL	01/09/1996-
058	35Q8290	LEFT HAND PANEL	01/09/1996-
059	35C0600	RH PANEL	01/09/1996-
060	35C0590	LH PANEL	01/09/1996-
061	30T2541	FOOT HOUSING ASS.	01/09/1996-
062	36G2050	Y PIN	01/09/1996-
063	35Q8570	FLUE REAR	01/09/1996-
064	3150770	"O" RING Ø 21	01/09/1996-
065	36Q0030	BICONE Ø12X8	01/09/1996-
066	33Q2650	"ELBOW MF 3/8""	01/09/1996-
067	33Q2560	SOCKET MF 3/8"	01/09/1996-
068	33A0130	THERMOCOUPLE	01/09/1996-
069	35V7900	EXTENSION FLAT BRACKET	01/09/1996-
070	6300645	GLASS + WASHER	04/08/2004-