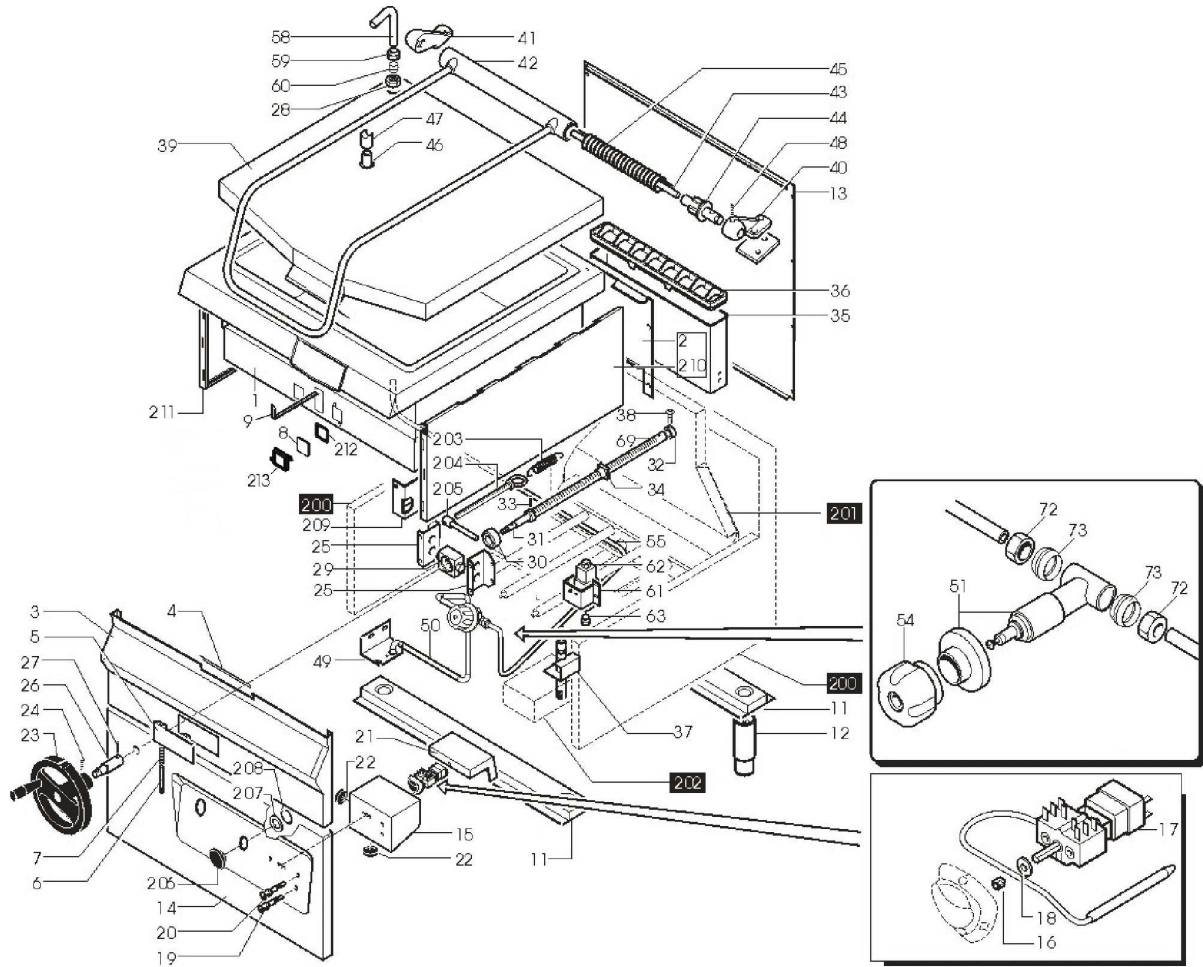
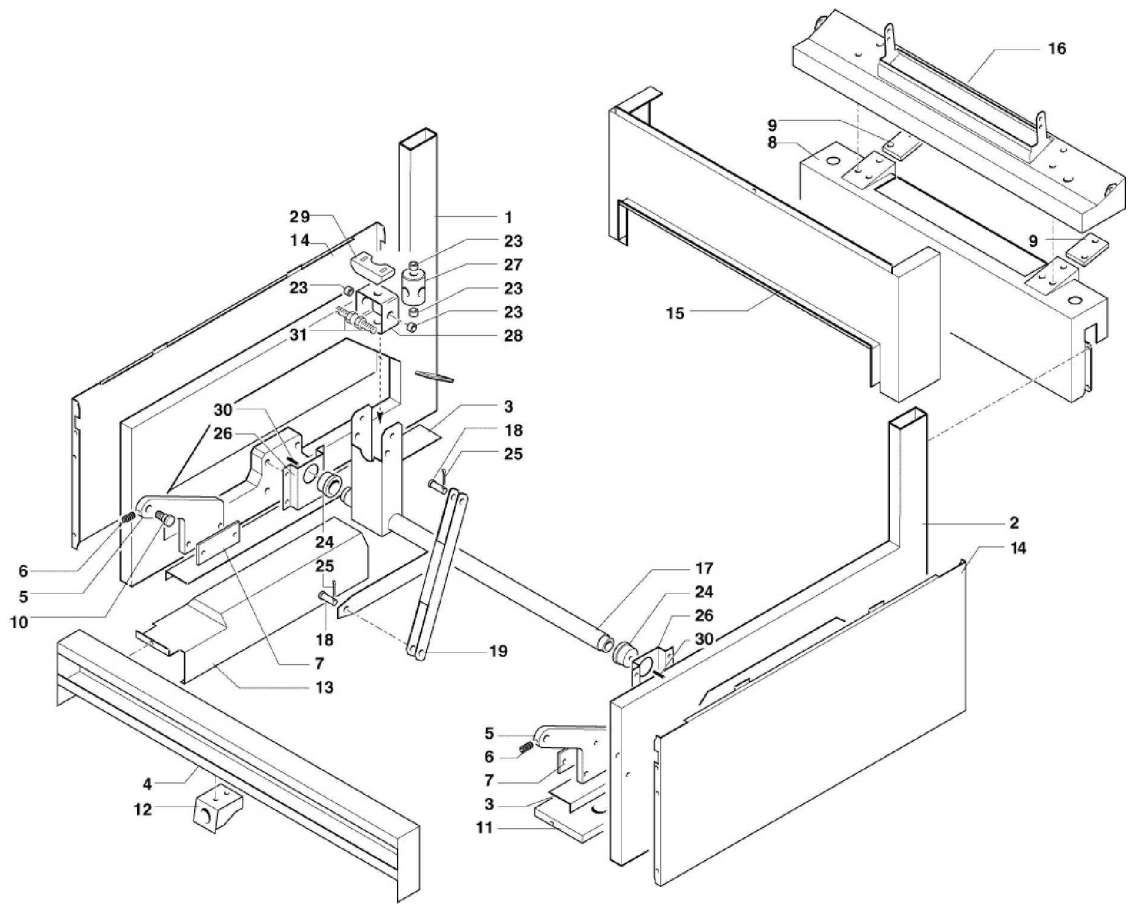


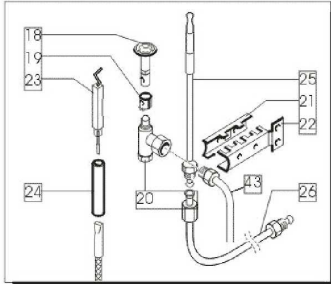
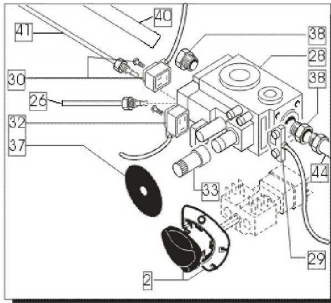
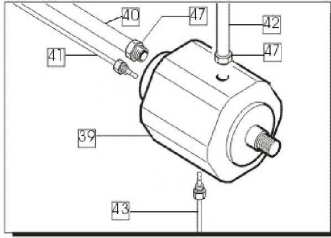


**1A1BR1G**

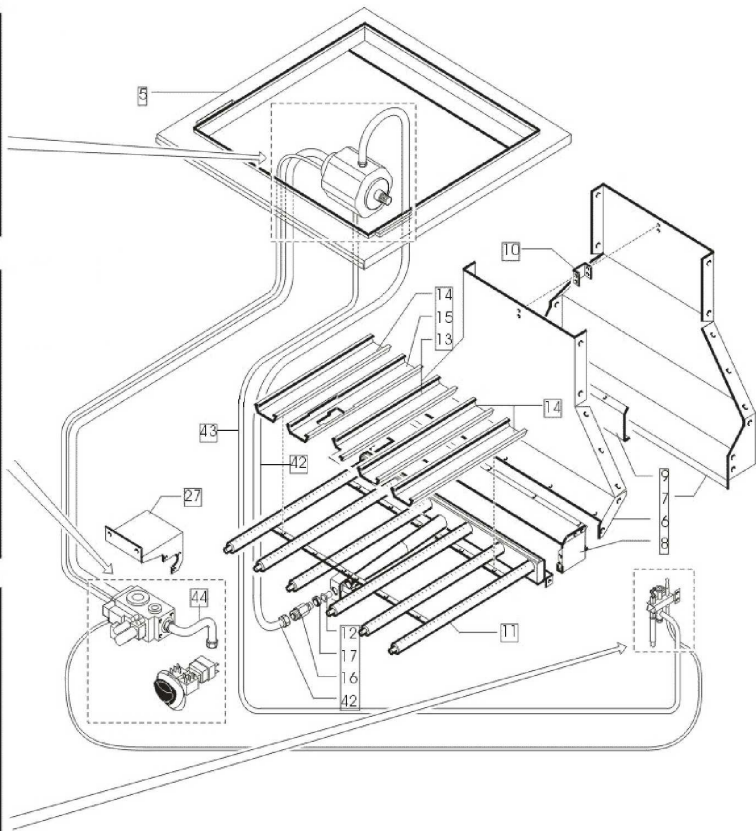
**Edition 20130704-**

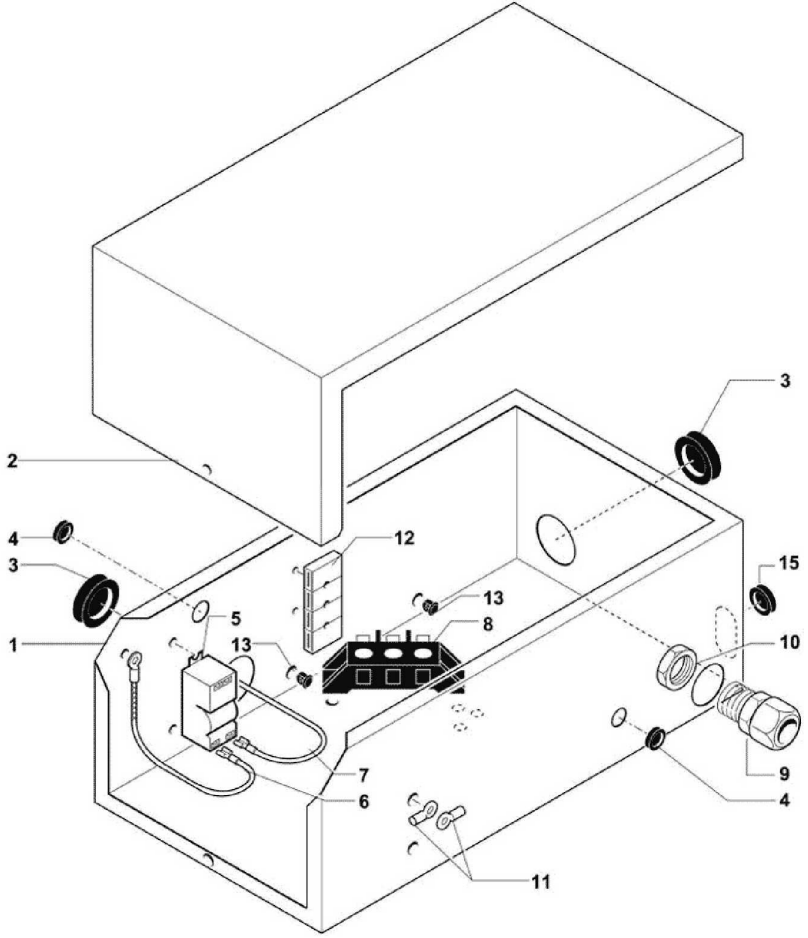
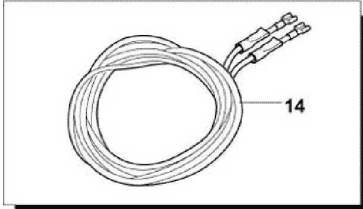






001 - 2000 012 001





Page	Pos	Code	Description	Info
002	001	30W1121	WELL ASSEMBLY	20/07/1999-
002	002	35H0951	BACK PANEL	28/06/2013-
002	003	35C7940	CONTROL BOARD ASS.Y	01/02/1999-
002	005	35G7900	SLOT COVER	01/02/1999-
002	006	36G5150	PIN	01/02/1999-
002	007	36G5180	SPRING	01/02/1999-
002	008	3070970	SPY-HOLE	01/02/2006-
002	009	35Y0860	BULB HOLDER	01/02/1999-
002	011	35R2971	OMEGA FRAME	17/10/2002-
002	012	36C2970	STAINLESS STEEL FOOT	01/02/1999-
002	013	35A8420	REAR PANEL	01/02/1999-
002	014	35H1090	FRONT PANEL	30/06/1999-
002	015	35R2910	CONTROL PROTECTION	01/02/1999-
002	016	3170290	KNOB SPRING	01/02/1999-
002	017	32V0660	THERMOSTAT	01/02/1999-
002	018	3152240	THERMOSTAT PROTECT.	01/02/1999-
002	019	3106730	ORANGE LIGHT 230V	23/05/2007-
002	020	3106710	GREEN LIGHT 230V	23/05/2007-
002	021	35G7940	CONTROL PROTECTION	01/02/1999-
002	022	32X0120	GROMMETØ 21	01/02/1999-
002	023	3214440	CRANK Ø 200 WITH HOLE	26/09/2012-
002	024	31A0130	SCREW M6X60	12/05/2000-
002	025	35R2920	BEARING SUPPORT	01/02/1999-
002	026	36G8121	SHAFT	12/05/2000-
002	027	31Z0100	LOCK PIN Ø 6X26	01/02/1999-
002	028	33Q3990	RING NUT	01/02/1999-
002	029	36C2830	BEARING SUPPORT	01/02/1999-
002	030	36F0340	BEARING Ø35Ø17X12	01/02/1999-
002	031	36E0770	BUSHING Ø30 Ø17=15	01/02/1999-
002	032	36E0400	BUSHING Ø30,Ø20=12	01/02/1999-
002	033	31Z8110	LOCK PIN Ø 5X30	01/02/1999-
002	034	36G8900	BUSHING 20TPSX	01/02/1999-
002	035	30Q1800	EXT FLUE ASS. Y	16/10/2002-
002	036	36C1310	FLUE GUARD	01/02/1999-
002	037	30Z2370	GAS MANIFOLD	19/09/2003-
002	038	31B0820	SCREW TCB M5X45 CROSS	01/02/1999-
002	039	30G3740	COVER	01/02/1999-
002	040	36C2590	RH HINGE SUPPORT	01/02/1999-
002	041	36C2600	LH HINGE SUPPORT	01/02/1999-
002	042	3061911	HANDLE	01/01/2012-
002	043	36H0260	HINGE SHAFT	01/02/1999-
002	044	36G2680	SPRING PIN	01/02/1999-
002	045	36H0350	SPRING	01/02/1999-
002	046	36E0440	PIN M5 Ø18Ø12	01/02/1999-
002	047	36E0870	SPACER	01/02/1999-
002	048	31W0280	SCREW	01/02/1999-
002	049	35R5950	SUPPORT "L"	01/02/1999-
002	050	3003360	WATER PIPE	24/04/2003-
002	051	6300728	COCK ASSEMBLY	28/01/2009-
002	052	33Q3750	"NIPPLE M 1/2""G- Ø12"	01/02/1999-
002	053	33Q3760	"ELBOW 1/2"""	01/02/1999-

Page	Pos	Code	Description	Info
002	054	3162200	RED RING KNOB	28/01/2009-
002	055	3003370	WATER PIPE	24/04/2003-
002	058	33Q3780	WATER SPOUT	01/02/1999-
002	059	33Q4000	NUT	01/02/1999-
002	060	36Q0460	BICONE Ø 18X9	01/02/1999-
002	061	35R7760	PROTECTED MICROSWITCH	29/04/1999-
002	062	32W3251	PROTECTED	01/02/1999-
002	063	32D0830	MICROSWITCH FAIRLEAD Ø 8	01/02/1999-
002	069	36G8110	LH SCREW	01/02/1999-
002	072	36Q0140	BICONE NUT Ø 10	24/04/2003-
002	073	36Q0080	BICONE Ø 10X6.5	24/04/2003-
002	200	M002090	M.FRAME TILTING BRATT-P	01/02/1999-
002	201	M002120	M.CONB.CHAMBER COMPL.80	01/02/1999-
002	202	M003100	EL. BOARD	01/02/1999-
002	203	36G8160	SPRING	23/06/1999-
002	204	30T2710	FIXING M10 ASS.Y	23/06/1999-
002	205	36E1050	PIN	23/06/1999-
002	206	36E1910	LOCKING RING FOR GAS VALVE	30/06/1999-
002	207	3120410	WASHER	30/06/1999-
002	208	3127820	STOP RING Ø 30	15/11/2007-
002	209	35R7810	PROTECTED MICROSWITCH	20/07/1999-
002	210	35H0930	RH SIDE PANEL	31/08/1999-
002	211	35H0940	LH SIDE PANNEL	31/08/1999-
002	212	3031901	GASKET	01/02/2006-
002	213	3070980	SUPPORT GLASS	01/02/2006-
003	001	30T3100	LH PANEL	01/02/1999-
003	002	30T3110	RH PANEL	01/02/1999-
003	003	35R5430	"L" BRACKET	01/02/1999-
003	004	3AA2610	FRONT CROSS MEMBER	01/02/1999-
003	005	36M3291	HINGE	05/03/2000-
003	006	31W0370	SCREW	05/03/2000-
003	007	35R5440	STIFFENING	01/02/1999-
003	008	30T3460	STIFFENING	01/02/1999-
003	009	35R0510	FLAT BRACKET	01/02/1999-
003	010	36E0430	PIN M12 CH20X34,5	01/02/1999-
003	011	35R3030	CROSS MEMBER	01/02/1999-
003	012	3003380	COCKS SUPPORT	24/04/2003-
003	013	35Q9451	PROTECTION	02/05/2012-
003	014	35C7830	SIDE PANEL	01/02/1999-
003	015	30T3470	GUARD	01/02/1999-
003	016	30M6482	TOP ASS. Y	04/07/2013-
003	017	36G8170	LIFTING SHAFT ASS.	01/02/1999-
003	018	36C2870	PIN	01/02/1999-
003	019	36G8180	LIFTING ROD	01/02/1999-
003	023	36E0760	SPACER	01/02/1999-
003	024	36C2860	BUSHING	01/02/1999-
003	025	31Z0140	SPLIT PIN 3,2x25	01/02/1999-
003	026	35R2380	SUPPORT	01/02/1999-
003	027	36G8130	LEAD NUT 20TPN	01/02/1999-
003	028	36H0150	LEAD NUT SUPPORT	01/02/1999-
003	029	35E0160	BUSHING GUIDE	01/02/1999-

Page	Pos	Code	Description	Info
003	030	31Z8910	LOCKPIN Ø 4X10	01/02/1999-
003	031	36M6570	SCREW	20/07/1999-
004	002	6300491	EL. CONTROL ASS.Y	01/02/1999-
004	005	30T6140	HOB ASSEMBLY	16/07/1999-
004	006	35E0050	FLUE FRONT PLATE	01/02/1999-
004	007	35E0060	REAR FLUE	01/02/1999-
004	008	35E0230	FLUE SUPPORT	01/02/1999-
004	009	35E0600	BAFFLE	01/02/1999-
004	010	35E0080	STIFFENING	01/02/1999-
004	011	34A1431	BURNER 24KW	24/10/2002-
004	012	36C2310	BUSHING Ø 18	01/02/1999-
004	013	35E0090	BAFFLE	01/02/1999-
004	014	35E0100	BAFFLE	01/02/1999-
004	015	35E0110	BAFFLE	01/02/1999-
004	016	33Q4100	NOZZLE HOUSING	19/09/2003-
004	017	36Q1110	LOCK NUT 3/8"	01/02/1999-
004	018	33A1081	THREE-FLAME BURNER	24/04/2008-
004	019	33A0970	RING NUT	01/02/1999-
004	020	33A0690	PILOT BURNER BODY Ø0,40	02/09/2000-
004	021	33A0950	REAR BRACKET	01/02/1999-
004	022	33A1000	FRONT BRACKET	01/02/1999-
004	023	32T0010	IGNITION PLUG	27/01/2010-
004	024	131AA46	HOSE 8'X40	01/02/1999-
004	025	33A0320	THERMOCOUPLE 9x1x1500	01/02/1999-
004	026	33A1270	THERMOCOUPLE EXTENSION	01/02/1999-
004	027	35R2890	VALVE SUPPORT	01/02/1999-
004	028	33A0930	"GAS THERMOST. NOVASIT 824 1/2""	01/02/1999-
004	029	33A0020	COMPL. VALVE	01/02/1999-
004	030	3195600	CONNECTOR+CABLE+GASKET+SCREW	24/06/2011-
004	032	32A2340	TWO-POLE CONNECTOR	01/02/1999-
004	033	3227400	HANDLE EXTENSION	31/07/2012-
004	037	3152460	GAS VALVE PROTECTION	30/06/1999-
004	038	3038370	"TEFLON NIPPLE M/M 1/2"" Ø14"	20/10/2004-
004	039	30Z2130	DISTRIBUTOR GAS ASS.Y	01/02/1999-
004	040	3006940	GAS DISTRIBUTOR PIPE	19/09/2003-
004	041	35X4210	GAS DISTRIBUTOR PIPE	01/02/1999-
004	042	3006950	BURNER PIPE	19/09/2003-
004	043	35X4230	PILOT BURNER PIPE	01/02/1999-
004	044	35X4691	GAS VALVE PIPE	19/09/2003-
004	047	33Q4090	NIPPLE M 1/2-3/8 Ø14	19/09/2003-
004	048	36Q0310	BICONE Ø 14 X 10	10/01/2006-
004	049	36Q0210	BICONE NUT Ø 14	19/09/2003-
005	001	35P0790	PANEL BOARD	01/02/1999-
005	002	35G7951	EL. BOX COVER	23/01/2006-
005	003	32X0120	GROMMETØ 21	01/02/1999-
005	004	32X0200	GROMMET Ø7.5-Ø11.5	01/02/1999-
005	005	32T0210	SPARK IGNITION DEVICE	20/03/2001-
005	006	32A1640	CABLE "HF" 150MM	01/02/1999-
005	007	3011720	"CABLE ""HF"" 1600MM"	31/07/2003-
005	008	32D0171	TERMINAL BOARD	01/02/1999-
005	009	32D0191	FAIRLEAD	01/02/1999-



<b>Page</b>	<b>Pos</b>	<b>Code</b>	<b>Description</b>	<b>Info</b>
005	010	32D0200	LOCK NUT PG16	01/02/1999-
005	011	17RNL01	CABLE TERMINAL	01/02/1999-
005	012	32D0080	TERMINAL BOARD	01/02/1999-
005	013	32X0190	CABLE SUPPORT	01/02/1999-
005	014	32Q4251	CABLE GROUP	20/03/2001-
005	015	32X0140	GROMMET Ø13,5-Ø25	01/02/1999-