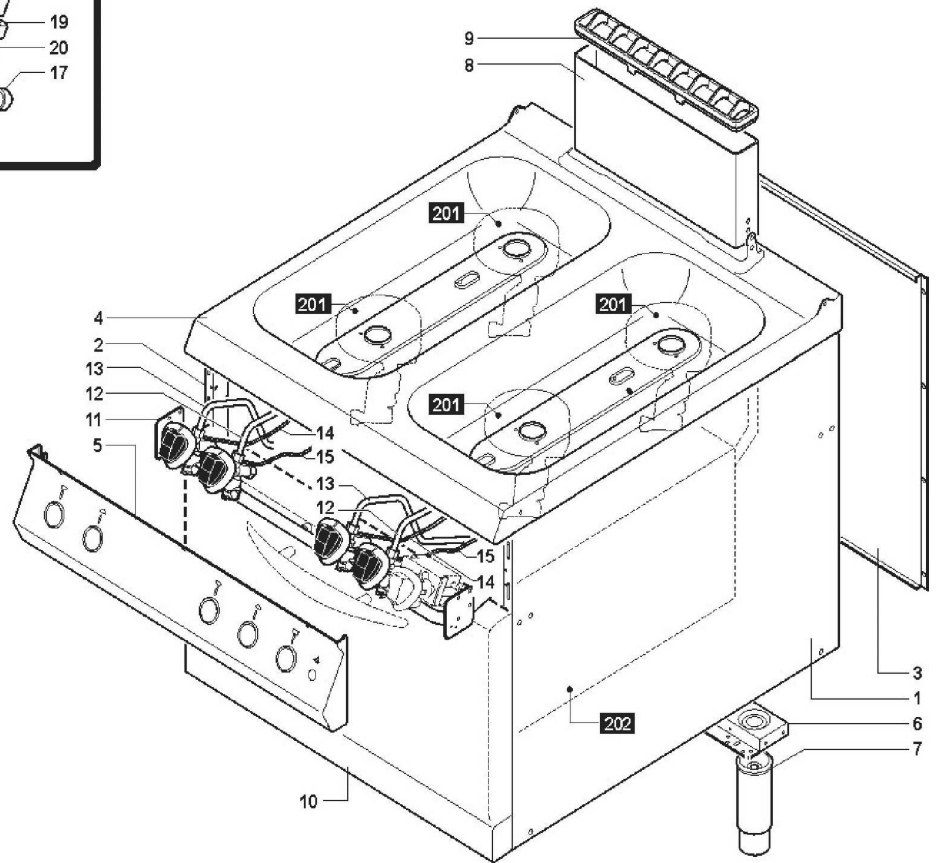
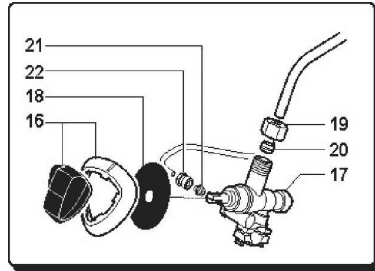
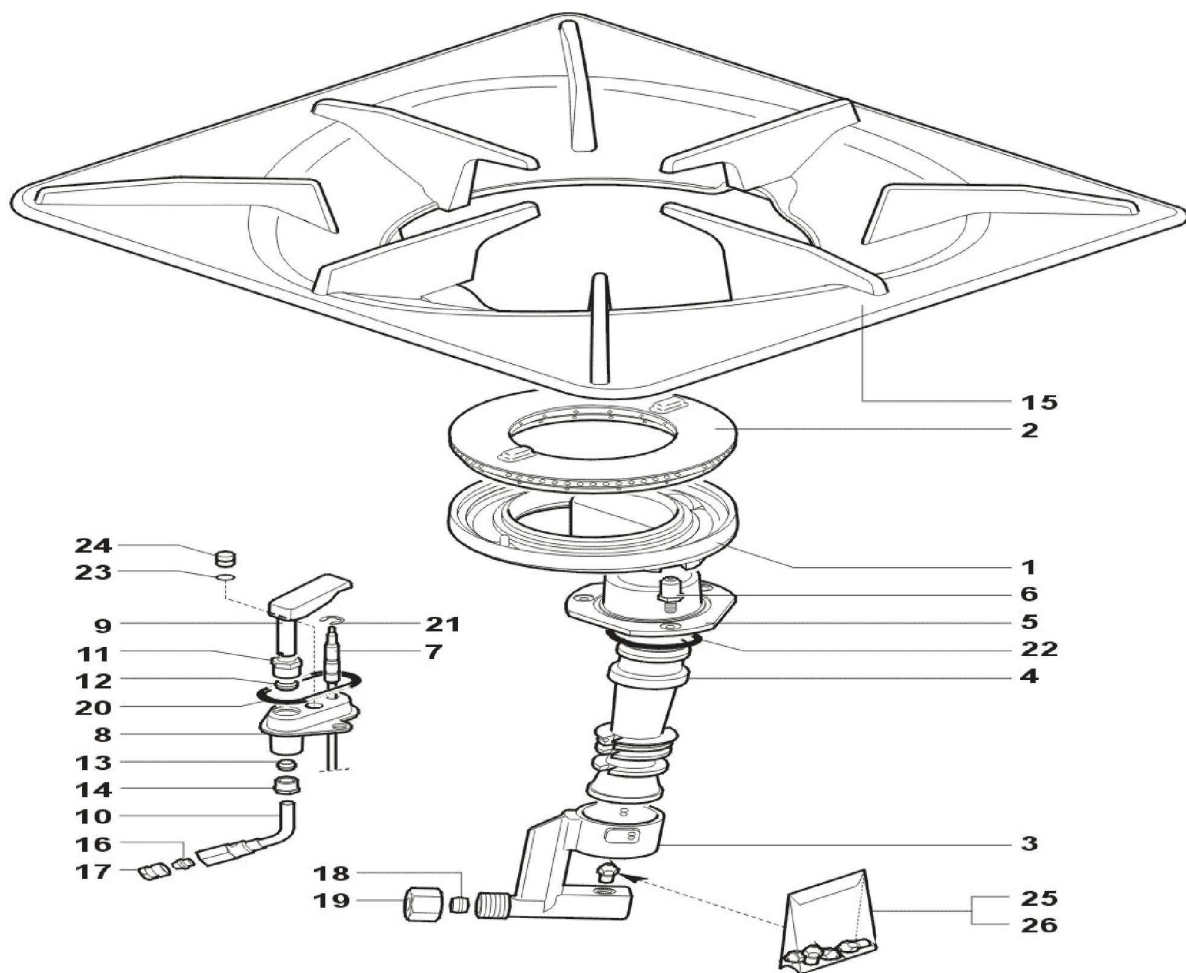




1A1FA4G

Edition 20141016-

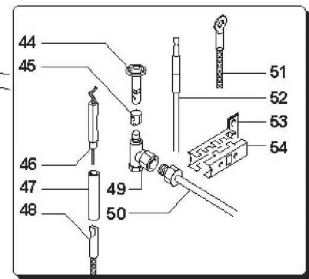
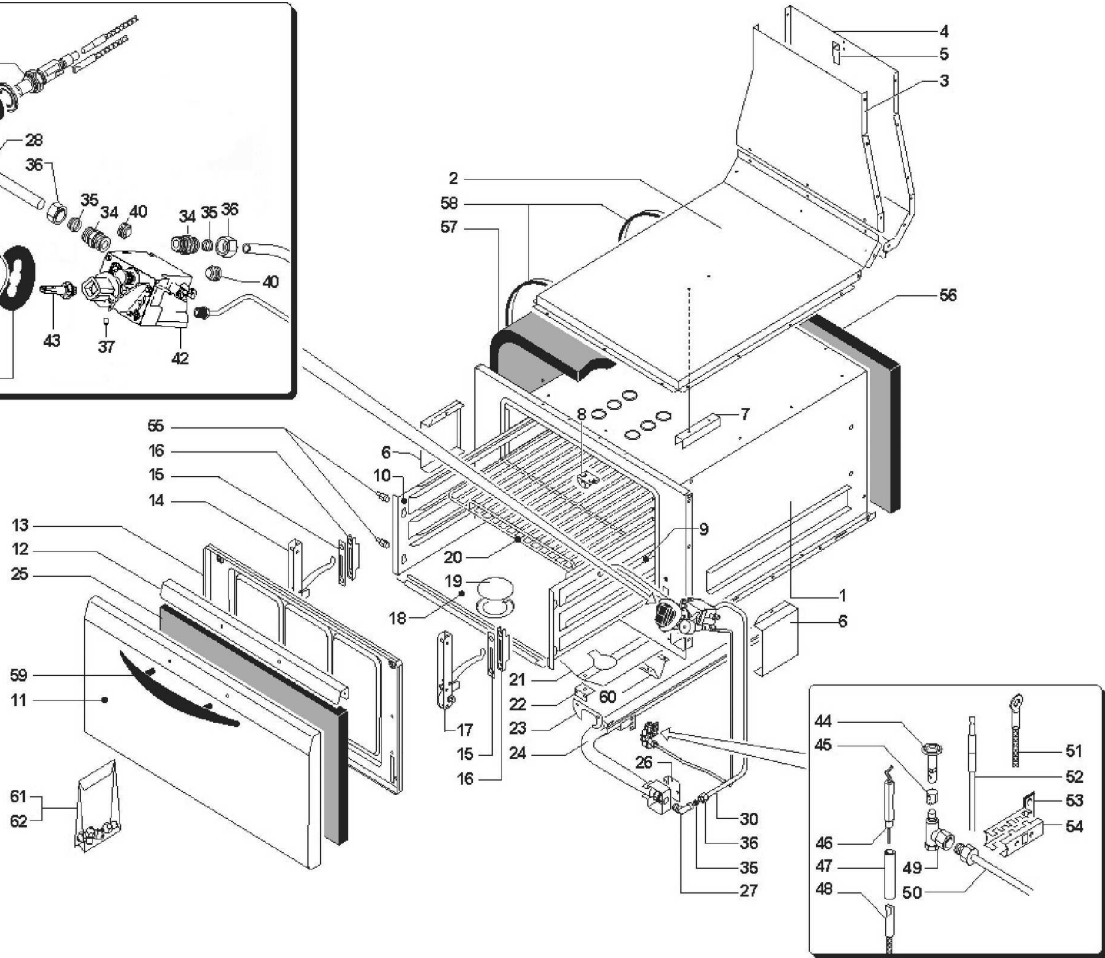
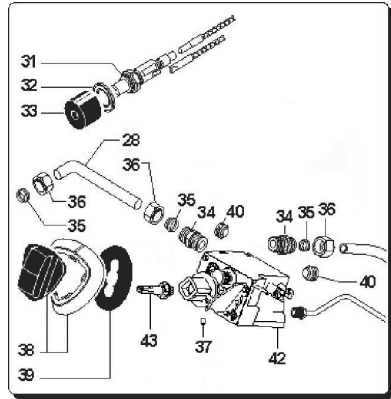




- 24
- 23
- 9
- 11
- 12
- 20
- 8
- 13
- 14
- 10
- 16
- 17

- 21
- 7
- 18
- 19

- 15
- 2
- 1
- 6
- 5
- 22
- 4
- 3
- 25
- 26



Page	Pos	Code	Description	Info
002	001	30A4900	RH PANEL	01/02/2002-
002	002	30A4890	LH PANEL	01/02/2002-
002	003	35A1662	REAR PANEL	29/03/2012-
002	004	30M5211	TOP GAS ASS. Y	01/02/2002-
002	005	30A4630	UPPER CONTROL BOARD	01/02/2002-
002	006	35R0221	OMEGA FRAME	01/02/2002-
002	007	36C2970	STAINLESS STEEL FOOT	01/02/2002-
002	008	30Q1800	EXT FLUE ASS. Y	01/02/2002-
002	009	36C1310	FLUE GUARD	01/02/2002-
002	010	35A3420	FRONT PANEL	01/02/2002-
002	011	30Z1891	GAS MANIFOLD ASS. Y	17/11/2003-
002	012	35X5381	BURNER PIPE	01/02/2002-
002	013	35X5371	BURNER PIPE	01/02/2002-
002	014	35X4361	PILOT PIPE	01/02/2002-
002	015	35X4371	PILOT PIPE	01/02/2002-
002	016	6300521	GAS CONTROL ASS.Y	01/02/2002-
002	017	33D1930	GAS CONTROL	01/02/2002-
002	018	3152250	GAS VALVE GUARD Ø	01/02/2002-
002	019	36Q0830	50 BICONE NUT Ø 10	01/02/2002-
002	020	36Q0080	BICONE Ø 10X6.5	01/02/2002-
002	021	36Q1040	BICONE Ø4	01/02/2002-
002	022	36Q1000	CLOSING BICONE NUT Ø4	01/02/2002-
002	201	M006100	M.BURNER	01/02/2002-
002	202	M007270	M. GAS OVEN	01/02/2002-
003	001	34A2052	BURNER Ø 130	15/09/2004-
003	002	34A2060	BURNER CAP Ø 130	01/02/2002-
003	003	34A2020	NOZZLE SUPP.	01/02/2002-
003	004	34A2000	CONNECT. VENTURI Ø 14.5	01/02/2002-
003	005	34A2071	BURNER SUPPORT	03/12/2009-
003	006	31V0241	PIVOT	23/05/2003-
003	007	33A0680	THERMOCOUPLE M8X1X600	01/02/2002-
003	008	34A2381	PILOT BURNER	28/01/2010-
003	009	33A1490	SUPPORT PILOT PIPE	01/02/2002-
003	010	33A1920	PILOT BURNER BODY	01/02/2002-
003	011	36Q1620	BICONE SCREW M 12X1	01/02/2002-
003	012	36Q1630	BICONE Ø 8X6.5	01/02/2002-
003	013	36Q0020	BICONE Ø 6 X 6.5	01/02/2002-
003	014	36Q0060	CLOSING BICONE NUT Ø 6	01/02/2002-
003	015	36A2002	GRID	12/01/2012-
003	016	36Q1040	BICONE Ø4	01/02/2002-
003	017	36Q1000	CLOSING BICONE NUT Ø4	01/02/2002-
003	018	36Q0080	BICONE Ø 10X6.5	01/02/2002-
003	019	36Q0610	BICONE SCREW Ø10	01/02/2002-
003	020	3152370	RING "OR" Ø 34.65	01/02/2002-
003	021	3120460	SEAL RING	01/02/2002-
003	022	3152040	RING "OR" Ø 47,35	01/02/2002-
003	023	3152550	RING "OR" Ø 6.0	01/02/2002-
003	024	31V0370	HOLE PLUG	01/02/2002-
003	025	6012690	"SET OF NOZZLE G20- G25 ""CE"""	01/02/2002-
003	026	6012700	"SET OF NOZZLE G30- G31 ""CE"""	01/02/2002-
003	027	3123650	WASHER	23/05/2003-

Page	Pos	Code	Description	Info
003	028	31A0400	STEEL SCREW M5X16	23/05/2003-
004	001	30D6080	GAS OVEN ASS. Y	01/02/2002-
004	002	35Q9690	HALF FLUE FRONT PLATE	01/02/2002-
004	003	35E1200	FLUE FRONT PANEL	01/02/2002-
004	004	35E1210	FLUE REAR PLATE	01/02/2002-
004	005	35E0440	"Z" BRACKET	01/02/2002-
004	006	35P2310	PROTECTION SPRING	01/02/2002-
004	007	35P0530	"U" BRACKET	01/02/2002-
004	008	35U4210	""U"" BRACKET"	01/02/2002-
004	009	35Y0471	RH TRAY RACK ASS. Y	06/06/2005-
004	010	35Y0481	LH TRAY RACK ASS. Y	06/06/2005-
004	011	35G8870	OVEN DOOR	01/02/2002-
004	012	35D9050	SPACER	01/02/2002-
004	013	35G1940	INNER DOOR FRAME ASS. Y	01/02/2002-
004	014	36M2430	LEFT HAND HINGE	01/02/2002-
004	015	35U3170	FLAT BRACKET	01/02/2002-
004	016	36M0270	HINGE CATCH	01/02/2002-
004	017	36M2420	RIGHT-HAND HINGE	01/02/2002-
004	018	35D3100	OVEN BOTTOM PLATE	01/02/2002-
004	019	30D1260	OVEN PLATE HOLE COVER	01/02/2002-
004	020	36A0990	OVEN GRID	01/02/2002-
004	021	35E0260	FLAME DEFLECTOR	01/02/2002-
004	022	35R4030	"L" BRACKET	01/02/2002-
004	023	35R3760	BURNER DEFLECTOR	01/02/2002-
004	024	34A1880	OVEN BURNER	01/02/2002-
004	025	37Q1880	INSULATING PANEL	01/02/2002-
004	026	35R2110	"L" BRACKET	01/02/2002-
004	027	33Q3420	"CONNECT 3/8"" GAS"	01/02/2002-
004	028	3017550	GAS VALVE PIPE	30/03/2004-
004	029	36Q0980	LOCK NUT M16X1.5	01/02/2002-
004	030	35X5401	OVEN BURNER PIPE	01/02/2002-
004	031	3166990	PIEZO IGNITION	13/07/2010-
004	032	3191100	WASHER Ø31 Ø18,3=2	01/02/2002-
004	033	37Q2100	HEAT. ELEM. PROTECTION	01/02/2002-
004	034	33Q4680	CONNECT. R3/8- M16X 1.5	01/02/2002-
004	035	36Q0080	BICONE Ø 10X6.5	01/02/2002-
004	036	36Q0830	BICONE NUT Ø 10	01/02/2002-
004	037	31W0180	SCREW	19/04/2007-
004	038	6300510	GAS CONTROL ASS.Y	01/02/2002-
004	039	3152250	GAS VALVE GUARD Ø	01/02/2002-
004	040	36R0010	PLUG 3/8"	01/02/2002-
004	042	6018970	GAS THERMOST. 110- 340°C. ASS.Y	20/04/2005-
004	043	3051661	PIN VALVE	09/07/2010-
004	044	33A1081	THREE-FLAME BURNER	24/04/2008-
004	045	33A0970	RING NUT	01/02/2002-
004	046	32T0010	IGNITION PLUG	27/01/2010-
004	047	131AA46	HOSE 8'X40	01/02/2002-
004	048	32A2361	CABLE "HF" 1200MM	28/07/2003-
004	049	33A0690	PILOT BURNER BODY	01/02/2002-
004	050	35X5090	Ø0,40 PILOT BURNER PIPE	01/02/2002-
004	051	32A2401	CABLE 1100MM	01/02/2002-

Page	Pos	Code	Description	Info
004	052	33A0320	THERMOCOUPLE	01/02/2002-
004	053	33A1000	9x1x1500 FRONT BRACKET	01/02/2002-
004	054	33A0950	REAR BRACKET	01/02/2002-
004	054	33A0970	RING NUT	01/02/2002-
004	055	36C3010	PIN	01/02/2002-
004	056	3271690	INSULATING PANEL	16/10/2014-
004	057	3271680	INSULATING PANEL	24/06/2014-
004	058	35Y0940	FIXING BELT	01/02/2002-
004	059	36M3390	HANDLE	01/02/2002-
004	060	35R4970	PROTECTION	01/02/2002-
004	061	6012650	SET OF NOZZLE G20- G25 "CE"	01/02/2002-
004	062	6012660	"SET OF NOZZLE G30- G31 ""CE"""	01/02/2002-