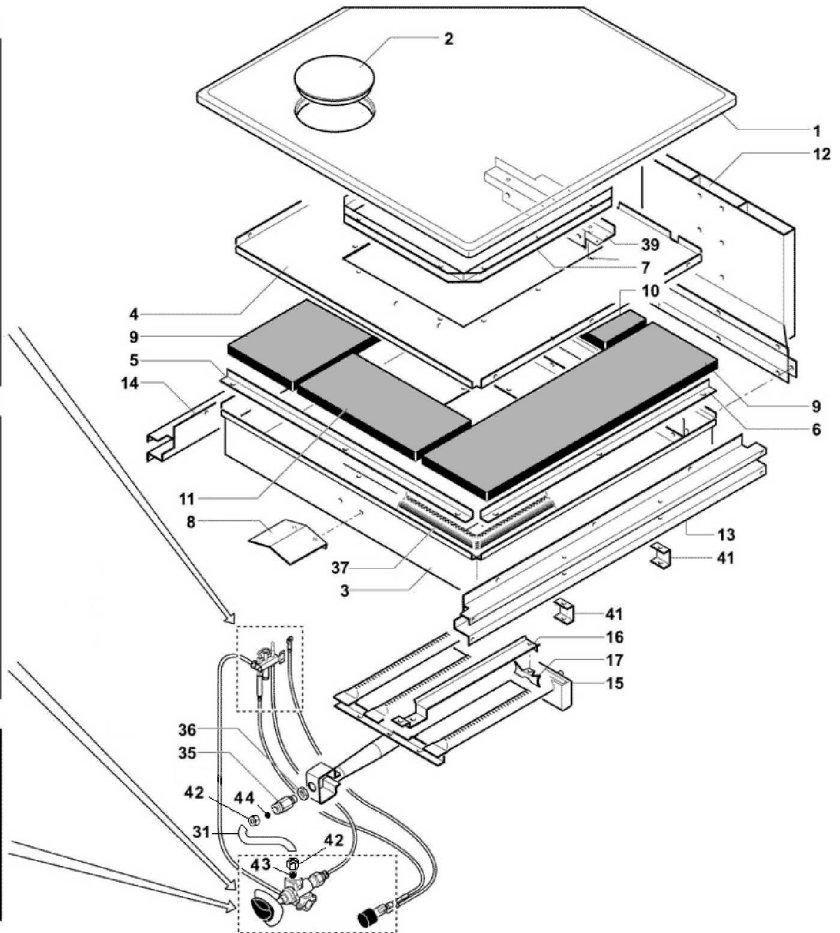
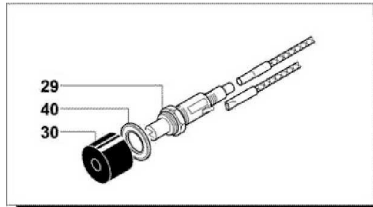
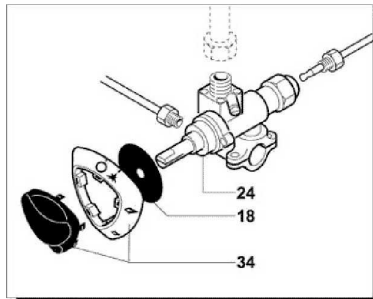
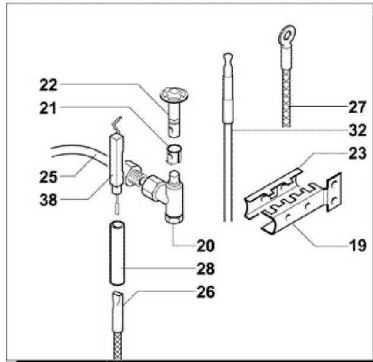
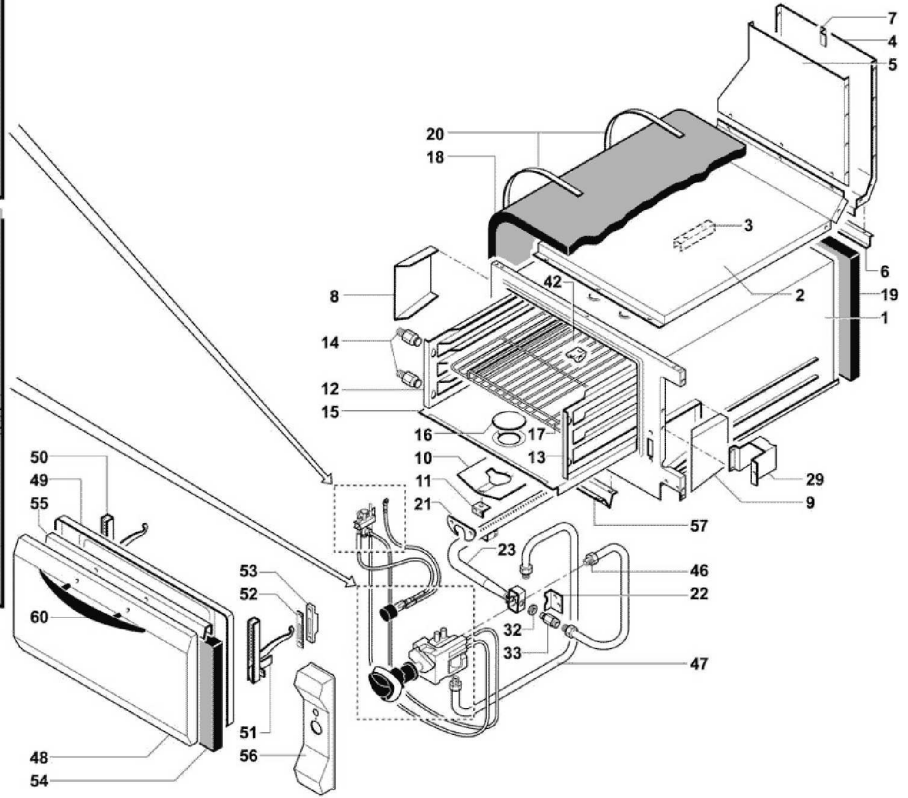
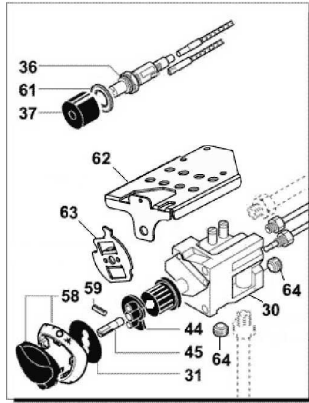
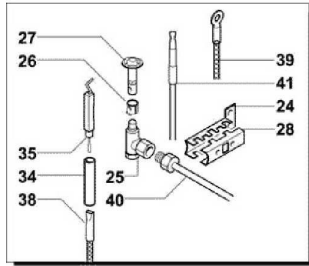


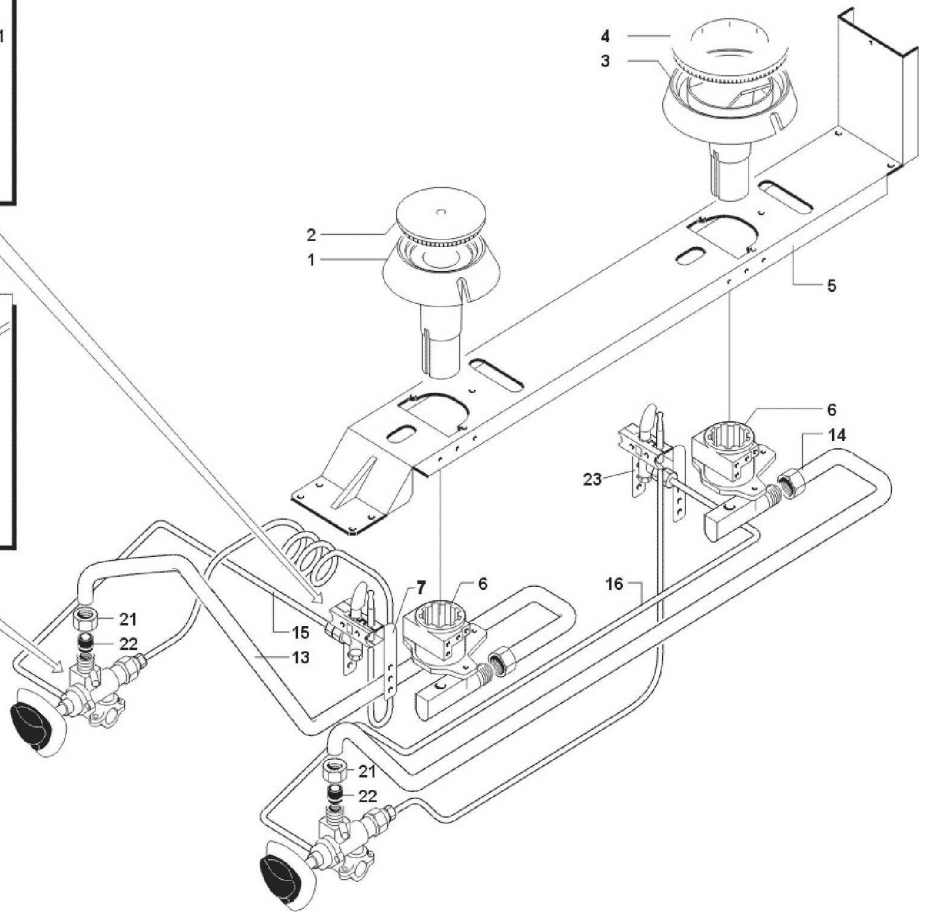
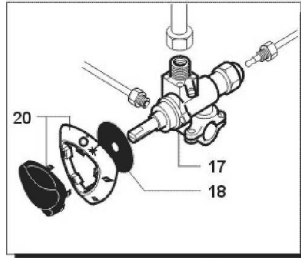
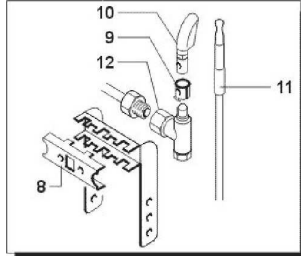


1A1FASG

Edition 20141016-







Page	Pos	Code	Description	Info
002	001	30A4900	RH PANEL	11/03/2002-
002	002	30A4890	LH PANEL	11/03/2002-
002	003	35A1662	REAR PANEL	29/03/2012-
002	004	30M7621	TOP ASS. Y	15/09/2001-
002	005	35C7271	CONTROL BOARD	01/06/2002-
002	006	35R0221	OMEGA FRAME	16/06/2000-
002	007	36C2970	STAINLESS STEEL FOOT	01/02/1999-
002	008	30Q1800	EXT FLUE ASS. Y	16/10/2002-
002	009	36C1310	FLUE GUARD	01/02/1999-
002	010	35A3420	FRONT PANEL	01/02/1999-
002	011	30Z2220	GAS MANIFOLD	01/02/1999-
002	012	35R6040	FRONT CROSS MEMBER	01/02/1999-
002	013	35R6030	REAR CROSS MEMBER	01/02/1999-
002	014	35E0670	INSULATION PANEL	01/02/1999-
002	015	35W3280	DRIP TRAY Ø 90 Ø 110	01/02/1999-
002	016	36A2610	GRID	01/02/1999-
002	017	35W3290	DRIP TRAY Ø 90-140	01/02/1999-
002	200	M003700	070DGG M.BURNER	01/02/1999-
002	201	M003710	M.BURNER	01/02/1999-
002	202	M000100	OVEN	01/02/1999-
003	001	36A1850	SMOOTH PLATE ASS. Y	01/02/1999-
003	002	36A2860	HOLE COVER Ø 150	01/02/1999-
003	003	35D9030	COMBUSTION CHAMBER	01/02/1999-
003	004	35D9040	INSULATION PANEL COVER	01/02/1999-
003	005	35D9090	""L"" BRACKET"	01/02/1999-
003	006	35D9080	""L"" BRACKET"	01/02/1999-
003	007	35R0230	"U" BRACKET	01/02/1999-
003	008	35G5140	PROTECTION	01/02/1999-
003	009	37Q3770	INSULATING PANEL	01/02/1999-
003	010	37Q3780	INSULATING PANEL	01/02/1999-
003	011	37Q3790	INSULATING PANEL	01/02/1999-
003	012	30Q1090	FLUE ASS. Y	01/02/1999-
003	013	35D9060	""OMEGA"" BRACKET"	01/02/1999-
003	014	35D9070	""OMEGA"" BRACKET"	01/02/1999-
003	015	34A0900	BURNER 12KW	01/02/1999-
003	016	35D9990	CONVEYOR	01/02/1999-
003	017	35D9600	SUPPORT	01/02/1999-
003	018	3152250	GAS VALVE GUARD Ø 50	01/02/1999-
003	019	33A1000	FRONT BRACKET	01/02/1999-
003	020	33A0690	PILOT BURNER BODY Ø0,40	02/09/2000-
003	021	33A0970	RING NUT	01/02/1999-
003	022	33A1081	THREE-FLAME BURNER	24/04/2008-
003	023	33A0950	REAR BRACKET	01/02/1999-
003	024	33D1991	GAS CONTROL	29/02/2000-
003	025	35Z0570	PILOT LIGHT PIPE	01/02/1999-
003	026	32A2541	CABLE "HF" 900MM	07/10/2009-
003	027	32A2530	CABLE 900MM	01/02/1999-
003	028	131AA46	HOSE 8'X40	01/02/1999-
003	029	3166990	PIEZO IGNITION	13/07/2010-
003	030	37Q2100	HEAT. ELEM. PROTECTION	01/02/1999-
003	031	3014330	FLEXIBLE PIPE DN10 L=600	16/02/2006-

Page	Pos	Code	Description	Info
003	032	33A0680	THERMOCOUPLE M8X1X600	01/06/2001-
003	034	6300489	GAS CONTROL ASS.Y	01/02/1999-
003	035	3035340	NOZZLE HOUSING	24/07/2006-
003	036	36Q1110	LOCK NUT 3/8"	01/02/1999-
003	037	157AA21	GASKET 16X16 (U.M = gr)	01/02/1999-
003	038	32T0010	IGNITION PLUG	27/01/2010-
003	039	35N2230	BURNER SUPPORT	01/02/1999-
003	040	3191100	WASHER Ø31 Ø18,3=2	01/02/1999-
003	041	35C7850	SPACER	01/02/1999-
003	042	36Q0610	BICONE SCREW Ø10	15/09/2005-
003	043	36Q0080	BICONE Ø 10X6.5	15/09/2005-
003	044	36Q1700	BICONEØ10Ø12X14	15/09/2005-
004	001	30D4960	GAS OVEN ASS. Y	01/02/1999-
004	002	35Q9690	HALF FLUE FRONT PLATE	01/02/1999-
004	003	35P0530	"U" BRACKET	01/02/1999-
004	004	35D8860	HALF FLUE REAR PLATE	01/02/1999-
004	005	35D8870	HALF FLUE FRONT PLATE	01/02/1999-
004	006	35C7140	"Z" BRACKET	01/02/1999-
004	007	35E0440	"Z" BRACKET	01/02/1999-
004	008	35P0300	PROTECTION	01/02/1999-
004	009	35P0310	PROTECTION	01/02/1999-
004	010	35E0260	FLAME DEFLECTOR	01/02/1999-
004	011	35R4030	"L" BRACKET	01/02/1999-
004	012	35Y0481	LH TRAY RACK ASS. Y	06/06/2005-
004	013	35Y0471	RH TRAY RACK ASS. Y	06/06/2005-
004	014	36C3010	PIN	01/02/1999-
004	015	35D3100	OVEN BOTTOM PLATE	01/02/1999-
004	016	30D1260	OVEN PLATE HOLE COVER	01/02/1999-
004	017	36A0990	OVEN GRID	01/02/1999-
004	018	3271680	INSULATING PANEL	24/06/2014-
004	019	3271690	INSULATING PANEL	16/10/2014-
004	020	35Y0940	FIXING BELT	01/02/1999-
004	021	35R3760	BURNER DEFLECTOR	01/02/1999-
004	022	35R2110	"L" BRACKET	01/02/1999-
004	023	34A1880	OVEN BURNER	01/02/1999-
004	024	33A1000	FRONT BRACKET	01/02/1999-
004	025	33A0690	PILOT BURNER BODY Ø0,40	02/09/2000-
004	026	33A0970	RING NUT	01/02/1999-
004	027	33A1081	THREE-FLAME BURNER	24/04/2008-
004	028	33A0950	REAR BRACKET	01/02/1999-
004	029	35Y0060	VALVE SUPPORT	01/02/1999-
004	030	33A0941	VALVE 80-320°C	17/11/2003-
004	031	3152250	GAS VALVE GUARD Ø	18/04/2005-
004	032	36Q1110	50 LOCK NUT 3/8"	01/02/1999-
004	033	3035340	NOZZLE HOUSING	24/07/2006-
004	034	131AA46	HOSE 8'X40	01/02/1999-
004	035	32T0010	IGNITION PLUG	27/01/2010-
004	036	3166990	PIEZO IGNITION	13/07/2010-
004	037	37Q2100	HEAT. ELEM. PROTECTION	01/02/1999-
004	038	32A2541	CABLE "HF" 900MM	07/10/2009-
004	039	32A2400	CABLE 1100MM	01/02/1999-

Page	Pos	Code	Description	Info
004	040	35Z0580	PILOT LIGHT PIPE	01/02/1999-
004	041	33A1190	THERMOCOUPLE M9X1X750	01/02/1999-
004	042	35U4210	""U"" BRACKET"	01/02/1999-
004	044	33A0920	ADAPTER	01/02/1999-
004	045	3000910	PIN VALVE	17/11/2003-
004	046	35X4120	PIPE	01/02/1999-
004	047	35X4330	GAS VALVE PIPE	01/02/1999-
004	048	35G5020	OVEN DOOR	01/02/1999-
004	049	35G1940	INNER DOOR FRAME ASS. Y	01/02/1999-
004	050	36M2430	LEFT HAND HINGE	01/02/1999-
004	051	36M2420	RIGHT-HAND HINGE	01/02/1999-
004	052	35U3170	FLAT BRACKET	01/02/1999-
004	053	36M0270	HINGE CATCH	01/02/1999-
004	054	37Q1880	INSULATING PANEL	01/02/1999-
004	055	35D9050	SPACER	01/02/1999-
004	056	35A3290	SIDE CONTROL	01/02/1999-
004	057	35R4970	BOARD PROTECTION	01/02/1999-
004	058	6300487	GAS CONTROL ASS.Y	01/02/1999-
004	059	31Z8930	PIN VALVE	01/02/1999-
004	060	36M3390	HANDLE	01/02/1999-
004	061	3191100	WASHER Ø31 Ø18,3=2	01/02/1999-
004	062	3008680	SUPPORT	17/11/2003-
004	063	3002410	LIMIT SWITCH	17/11/2003-
004	064	36R0010	PLUG 3/8"	17/11/2003-
005	001	34A1380	BURNER Ø 90	01/02/1999-
005	002	34A1123	BURNER CAP Ø 90	01/02/1999-
005	003	34A1401	BURNER Ø 140	01/02/1999-
005	004	34A1141	BURNER CAP Ø 140	01/02/1999-
005	005	35M2880	BURNER CROSS MEMBER	01/02/1999-
005	006	36D2771	BURNER SUPPORT	01/02/1999-
005	007	35V9130	PILOT BURNER SUPPORT	01/02/1999-
005	008	33A0950	REAR BRACKET	01/02/1999-
005	009	33A0970	RING NUT	01/02/1999-
005	010	33A1070	ONE-FLAME BURNER	01/02/1999-
005	011	33A0680	THERMOCOUPLE M8X1X600	13/06/2001-
005	012	33A0690	PILOT BURNER BODY Ø0,40	02/09/2000-
005	013	35X5000	FRONT PIL. BURNER PIPE	20/10/1999-
005	014	35X4990	REAR PIL BURNER PIPE	20/10/1999-
005	015	35X4740	PIPE	01/02/1999-
005	016	35X4750	PIPE	01/02/1999-
005	017	33D1991	GAS CONTROL	29/02/2000-
005	018	3152250	GAS VALVE GUARD Ø 50	01/02/1999-
005	020	6300489	GAS CONTROL ASS.Y	01/02/1999-
005	021	36Q0610	BICONE SCREW Ø10	20/10/1999-
005	022	36Q1700	BICONEØ10Ø12X14	20/10/1999-
005	023	35V9140	PILOT BURNER SUPPORT	01/02/1999-