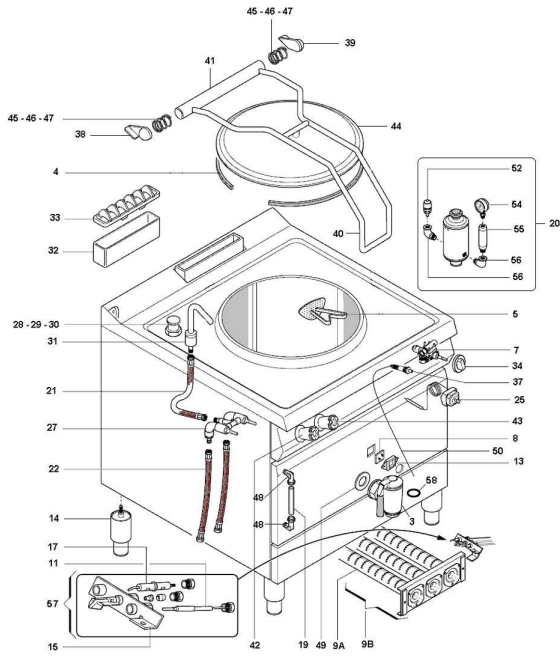




1A1PI2G

Edition 20100713-



Page	Pos	Code	Description	Info
002	003	33D2291	"DRAIN COCK 2""	01/10/2008-
002	004	137AA03	LID GASKET	12/01/2000-
002	005	1A1PI2G-Pos.005	FILTER	01/09/2003-
002	007	33A1530	GAS CONTROL	12/01/2000-
002	008	1A1PI2G-Pos.008	SPY-HOLE	01/09/2003-
002	009	3035590	3 ELEMENT BURNET ASS.LY	12/01/2000-
002	009	34A2310	BURNER ELEMENT	12/01/2000-
002	011	33A1870	THERMOCOUPLE	01/09/2003-
002	013	35E1590	FLANGE SUPPORT	12/01/2000-
002	014	1A1PI2G-Pos.014	FOOT	01/09/2003-
002	015	33A1720	PILOT BURNER	12/01/2000-
002	017	32T0320	IGNITION PLUG	12/01/2000-
002	019	37N1430	PIPE	12/01/2000-
002	020	3006310	"PRESS. RELEASE VALVE 3/4"" 0,5B"	31/01/2003-
002	021	3026420	FLEXIBLE PIPE	01/09/2003-
002	022	1A1PI2G-Pos.022	TWO-FLEXIBLE PIPE	01/09/2003-
002	025	32V3980	SAFETY THERMOSTAT	12/01/2000-
002	027	3005990	COCK	15/09/2003-
002	028	33Q2711	MANIFOLD	12/01/2000-
002	029	3150800	"O" RING Ø 20.22	12/01/2000-
002	030	33Q2701	"PLUG 3/4""	12/01/2000-
002	031	1A1PI2G-Pos.031	WATER SPOUT	01/09/2003-
002	032	30Q1810	EXT FLUE ASS. Y	30/10/2002-
002	033	36C2680	FLUE GUARD	12/01/2000-
002	034	6300523	DRAIN COCK KNOB	30/10/2001-
002	037	3166990	PIEZO IGNITION	13/07/2010-
002	038	36C2600	LH HINGE SUPPORT	12/01/2000-
002	039	36C2590	RH HINGE SUPPORT	12/01/2000-
002	040	36G7720	HANDLE	12/01/2000-
002	041	36G6680	LID HINGE	12/01/2000-
002	042	36M4010	RED RING KNOB	12/01/2000-
002	043	36M4030	BLUERING KNOB	12/01/2000-
002	044	35H3580	PAN LID + GASKET	12/01/2000-
002	045	36G2640	SPRING	12/01/2000-
002	046	36G2650	HINGE SHAFT	12/01/2000-
002	047	36G2680	SPRING PIN	12/01/2000-
002	048	3073460	ELBOW+ GASKET	12/01/2000-
002	049	37Q4070	GASKET	01/09/2003-
002	050	32A0061	CABLE "HF" 1100MM	01/09/2003-
002	052	33G0650	VACUUM VALVE	01/09/2003-
002	054	3008790	PRESSURE GANGE 0- 1BAR - 1/4"	01/09/2003-
002	055	33G1130	SUPPORT	01/09/2003-
002	056	3022270	ELBOW MF 3/8"	01/09/2003-
002	057	33A1680	SPARK IGNITION DEVICE	02/09/2003-
002	058	3152331	"OR" GASKET FOR DRAIN COCK 2""	12/01/2000-
002	059	36Q0140	BICONE NUT Ø 10	15/09/2003-
002	060	36Q0080	BICONE Ø 10X6.5	15/09/2003-
002	061	32V3640	SOLENOID VALVE COIL 220V	12/01/2000-