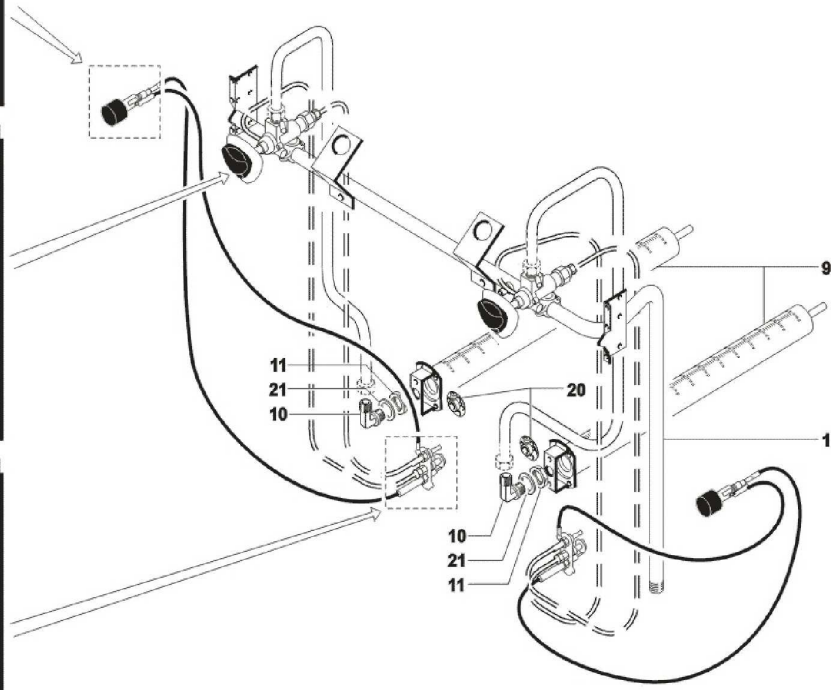
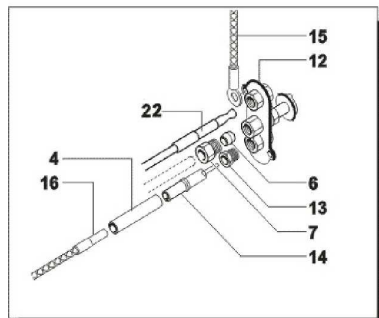
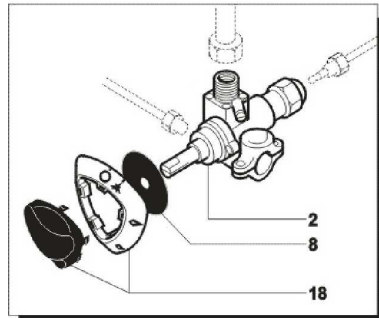
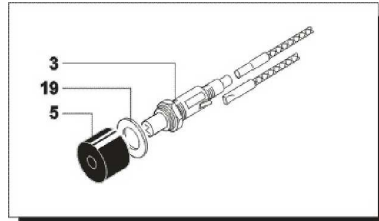
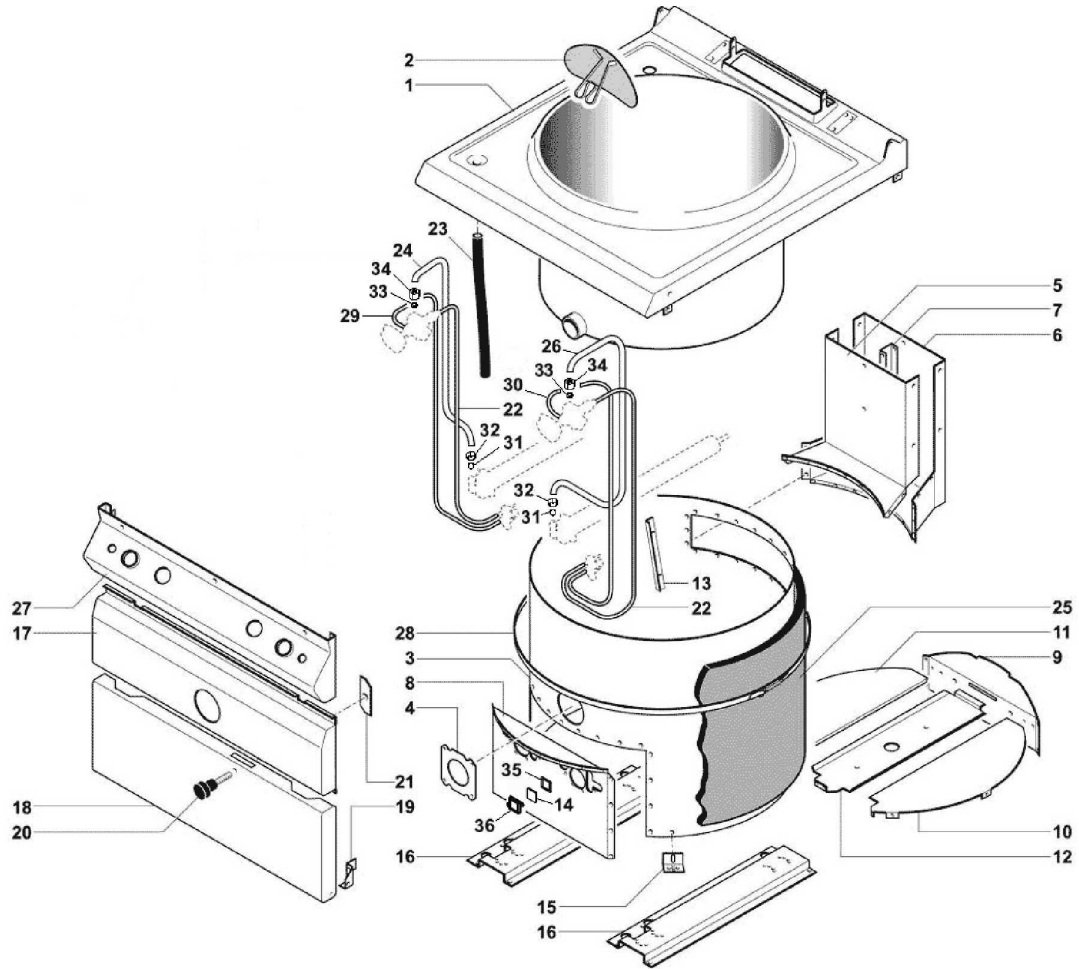




1D1PD1G

Edition 20101213-





Page	Pos	Code	Description	Info
002	001	37Q3940	HEAT. ELEM. PROTECTION	01/02/1999-
002	002	35R0221	OMEGA FRAME	16/06/2000-
002	003	30A4900	RH PANEL	11/03/2002-
002	004	30A4890	LH PANEL	11/03/2002-
002	005	35C8050	REAR PANEL	01/02/1999-
002	006	6300730	COCK ASSEMBLY	28/01/2009-
002	007	3162200	RED RING KNOB	28/01/2009-
002	008	3162210	BLUE RING KNOB	28/01/2009-
002	009	3003570	WATER PIPE	24/04/2003-
002	010	3003560	WATER PIPE	24/04/2003-
002	012	30Q1810	EXT FLUE ASS. Y	30/10/2002-
002	013	36C2680	FLUE GUARD	01/02/1999-
002	016	36Q0030	BICONE Ø12X8	01/02/1999-
002	018	3003890	WATER PIPE	24/04/2003-
002	019	3003430	WATER SPOUT	23/04/2003-
002	019	3003430	WATER SPOUT	24/04/2003-
002	020	33D2291	"DRAIN COCK 2"""	01/10/2008-
002	021	36G7720	HANDLE	01/02/1999-
002	022	35Z0600	DRAIN PIPE	01/02/1999-
002	023	36E0380	STIFFENING	01/02/1999-
002	024	35H3580	PAN LID + GASKET	03/02/2003-
002	026	36C2590	RH HINGE SUPPORT	01/02/1999-
002	027	36C2600	LH HINGE SUPPORT	01/02/1999-
002	028	36G6680	LID HINGE	01/02/1999-
002	029	36G2640	SPRING	01/02/1999-
002	030	36G2650	HINGE SHAFT	01/02/1999-
002	031	36G2680	SPRING PIN	01/02/1999-
002	032	35R0510	FLAT BRACKET	01/02/1999-
002	033	3188680	METALLIC HOSE (M.U.=MT)	13/12/2010-
002	035	36Q0140	BICONE NUT Ø 10	24/04/2003-
002	036	36Q0080	BICONE Ø 10X6.5	24/04/2003-
002	037	137AA03	LID GASKET	03/02/2003-
002	038	3152331	"OR" GASKET FOR DRAIN COCK 2"""	01/02/1999-
002	200	M000640	COMB.CHAMBER COMPL. ASS.	01/02/1999-
002	201	M000130	M.BURNER	01/02/1999-
003	001	3003690	GAS MANIFOLD	24/04/2003-
003	002	33D1991	GAS CONTROL	29/02/2000-
003	003	3166990	PIEZO IGNITION	13/07/2010-
003	004	131AA46	HOSE 8'X40	01/02/1999-
003	005	37Q2100	HEAT. ELEM. PROTECTION	01/02/1999-
003	006	36Q1040	BICONE Ø4	01/02/1999-
003	007	36Q1000	CLOSING BICONE NUT Ø4	01/02/1999-
003	008	3152250	GAS VALVE GUARD Ø 50	01/02/1999-
003	009	34A0810	BURNER 12KW	01/02/1999-
003	010	33Q3840	NOZZLE SUPPORT. ELBOW	01/02/1999-
003	011	36Q0980	LOCK NUT M16X1.5	01/02/1999-
003	012	33A0750	PILOT BURNER BODY	01/02/1999-
003	013	36Q1050	PIEZO IGN. CONNECTOR	01/02/1999-
003	014	32T0190	IGNITION PLUG	01/02/1999-
003	015	32A2530	CABLE 900MM	01/02/1999-
003	016	32A2550	"CABLE ""HF"" 900MM"	01/02/1999-

Page	Pos	Code	Description	Info
003	018	6300489	GAS CONTROL ASS.Y	01/02/1999-
003	019	3191100	WASHER Ø31 Ø18,3=2	01/02/1999-
003	020	36C2762	BUSHING	25/02/2004-
003	021	3121440	WASHER	01/02/1999-
003	022	33A1190	THERMOCOUPLE M9X1X750	01/02/1999-
004	001	30W0890	PAN 100LT G. ASS. Y	01/02/1999-
004	002	30Q0450	FILTER	01/02/1999-
004	003	35D9540	COMBUSTION CHAMBER	01/02/1999-
004	004	35G5760	FLAT BRACKET	01/02/1999-
004	005	35D9520	OUTER HALF-PART FLUE	01/02/1999-
004	006	35D9530	INNER HALF-PART FLUE	01/02/1999-
004	007	35R0530	""U"" BRACKET"	01/02/1999-
004	008	35D9490	FRONT COMBUST. CHAMBE	01/02/1999-
004	009	35D9480	REAR COMBUST. CHAMBER	01/02/1999-
004	010	35D9810	CHAMBER BOTTOM DX	01/02/1999-
004	011	35D9820	CHAMBER BOTTOM SX	01/02/1999-
004	012	35D9830	CHAMBER BOTTOM	01/02/1999-
004	013	35R0490	FLAME GUARD	01/02/1999-
004	014	3070970	SPY-HOLE	01/02/2006-
004	015	35R0560	"L" BRACKET	01/02/1999-
004	016	35R0480	OMEGA FRAME	01/02/1999-
004	017	35A2430	UPPER FRONT PANEL	01/02/1999-
004	018	35A2660	LOWER FRONT PANEL	01/02/1999-
004	019	35R3610	RIGHT-HAND HINGE	01/02/1999-
004	020	36M5690	HANDLE	01/02/1999-
004	021	35T9780	FLAT BRACKET	01/02/1999-
004	022	33A0680	THERMOCOUPLE M8X1X600	01/06/2001-
004	023	111AA06	PIPE Ø 25 Ø 15	01/02/1999-
004	024	3029630	FLEXIBLE PIPE DN10 L=800	09/11/2004-
004	025	37Q3980	INSULATING PANEL	01/02/1999-
004	026	3029630	FLEXIBLE PIPE DN10 L=800	09/11/2004-
004	027	35A2851	UPPER CONTROL BOARD	01/06/2002-
004	028	36E0780	HOSE CLAMP	01/02/1999-
004	029	3079320	FLEXIBLE PIPE L=750	20/07/2006-
004	030	3079320	FLEXIBLE PIPE L=750	20/07/2006-
004	031	36Q1700	BICONEØ10Ø12X14	09/11/2004-
004	032	36Q0610	BICONE SCREW Ø10	09/11/2004-
004	033	36Q0080	BICONE Ø 10X6.5	09/11/2004-
004	034	36Q0830	BICONE NUT Ø 10	09/11/2004-
004	035	3031901	GASKET	01/02/2006-
004	036	3070980	SUPPORT GLASS	01/02/2006-