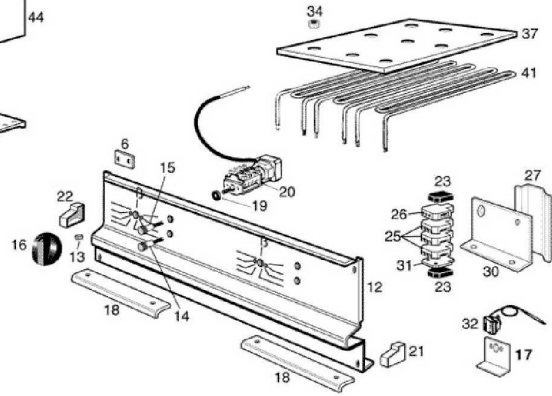
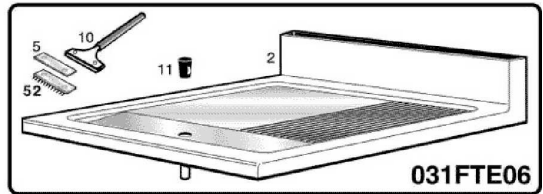
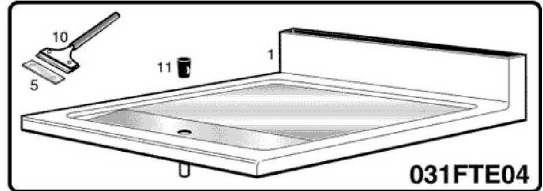
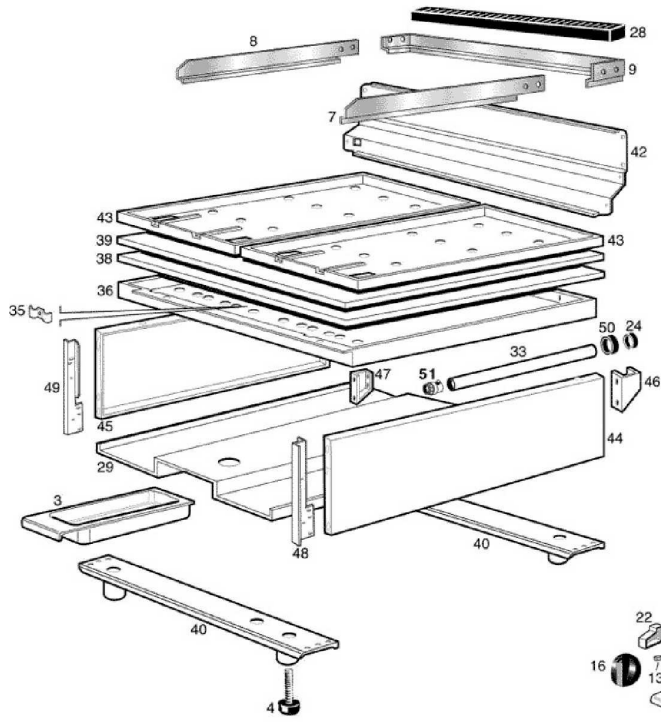




**031FTE04**

**Edition 20080131-**



Pos	Code	Description	Info
001	30M3500	SMOOTH PLATE ASS. Y	01/09/1996-
003	35W4150	TRAY	01/09/1996-
004	36D2970	ADJUSTABLE FOOT	01/09/1996-
005	36X0010	BLADE	01/09/1996-
006	35T9650	FLAT BRACKET	01/09/1996-
007	30A3270	SPLASH GUARD	01/09/1996-
008	30A3280	SPLASH GUARD	01/09/1996-
009	35C2800	SPLASH GUARD	01/09/1996-
010	36X0020	SCRAPER	01/09/1996-
011	3115040	PLUG	31/01/2008-
012	35C4510	UPPER CONTROL	01/09/1996-
013	3170290	BOARD KNOB SPRING	01/09/1996-
014	6300651	ORANGE LIGHT 400V ASS.Y	23/05/2007-
015	6300652	GREEN LIGHT 400V ASS.Y	23/05/2007-
016	36M2400	ELECTRIC CONTROL KNOB	01/09/1996-
017	35S6361	L" SHAPED BAR	01/09/1996-
018	35V7580	BRACKET	01/09/1996-
019	3150790	THERMOSTAT PROTECT.	01/09/1996-
020	32Z7400	THERMOSTAT 100- 260° C	01/09/1996-
021	36D3420	RH END SIDE	01/09/1996-
022	36D3430	LH END SIDE	01/09/1996-
023	32D0870	TERMINAL CLAMP	01/09/1996-
024	32D0820	BUSHING	01/09/1996-
025	32D0840	LIVE TERMINAL	01/09/1996-
026	32D0860	GROUND TERMINAL	01/09/1996-
027	32D0540	"OMEGA" BRACKET	01/09/1996-
028	35B2070	FLUE GUARD	01/09/1996-
029	35Q8860	LOWER GUARD	01/09/1996-
030	35V9060	TERM. BOARD SUPPORT	01/09/1996-
031	32D0850	TERMINAL	01/09/1996-
032	32Z9202	SAFETY THERMOSTAT	10/11/2004-
033	35X3140	CABLE INLET PIPE	01/09/1996-
034	36C2170	SPACER	01/09/1996-
035	35T3540	BULB HOLDER	01/09/1996-
036	35D4060	INSULATION PANEL COVER	01/09/1996-
037	36A1650	DIFFUSOR PLATE	01/09/1996-
038	37Q1090	INSULATING PANEL	01/09/1996-
039	37Q1080	INSULATING PANEL	01/09/1996-
040	30T2541	FOOT HOUSING ASS. Y	01/09/1996-
041	32G1040	HEATING ELEMENT	01/09/1996-
042	35Q8850	FLUE REAR	01/09/1996-
043	35V8950	HEATING EL. SUPPORT	01/09/1996-
044	35C0600	RH PANEL	01/09/1996-
045	35C0590	LH PANEL	01/09/1996-
046	35Q8300	RIGHT HAND PANEL	01/09/1996-
047	35Q8290	LEFT HAND PANEL	01/09/1996-
048	35V6980	SPLASH GUARD	01/09/1996-
049	35V6640	SPLASH GUARD	01/09/1996-
050	32X0130	GROMMET Ø29-Ø37	01/09/1996-
051	32D0810	JOINT 3/4"	01/09/1996-
053	32Q3770	CABLE ASS.Y	01/09/1996-