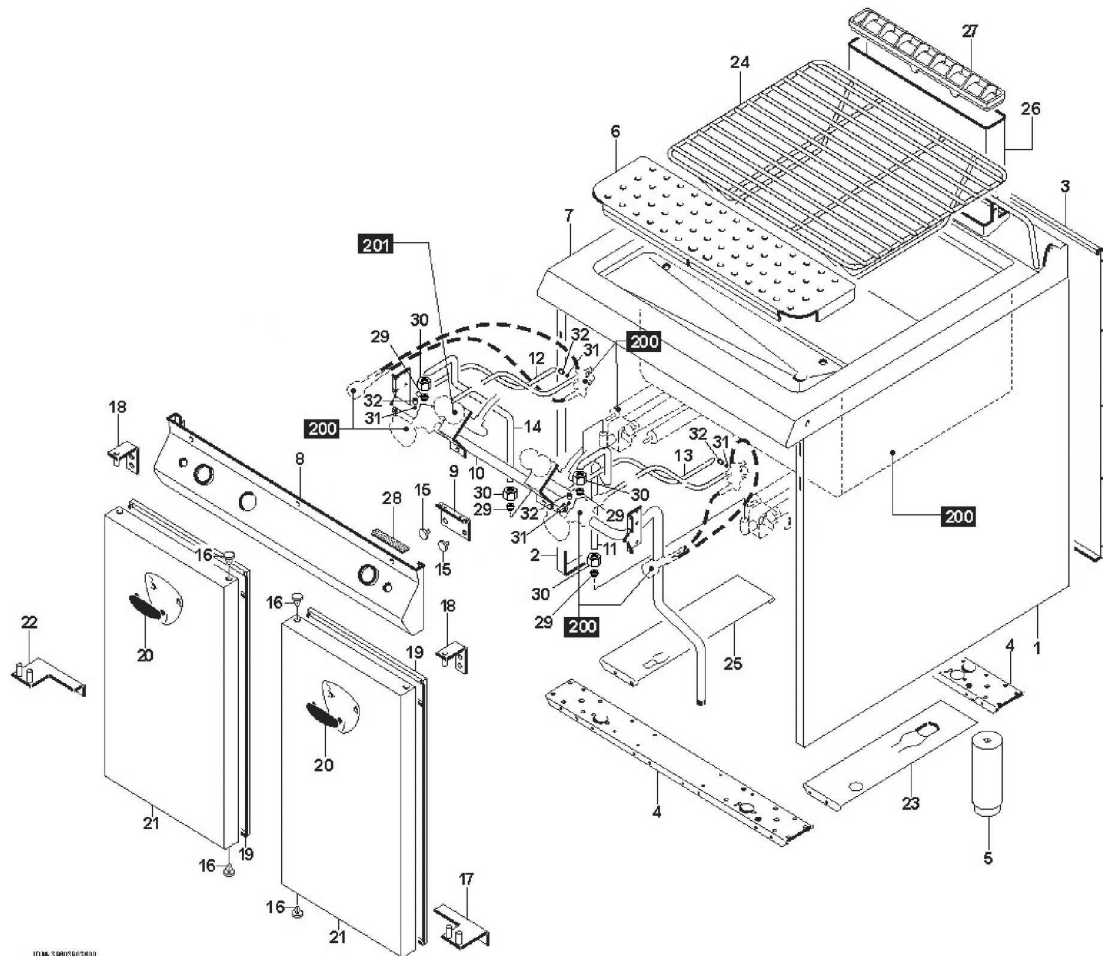
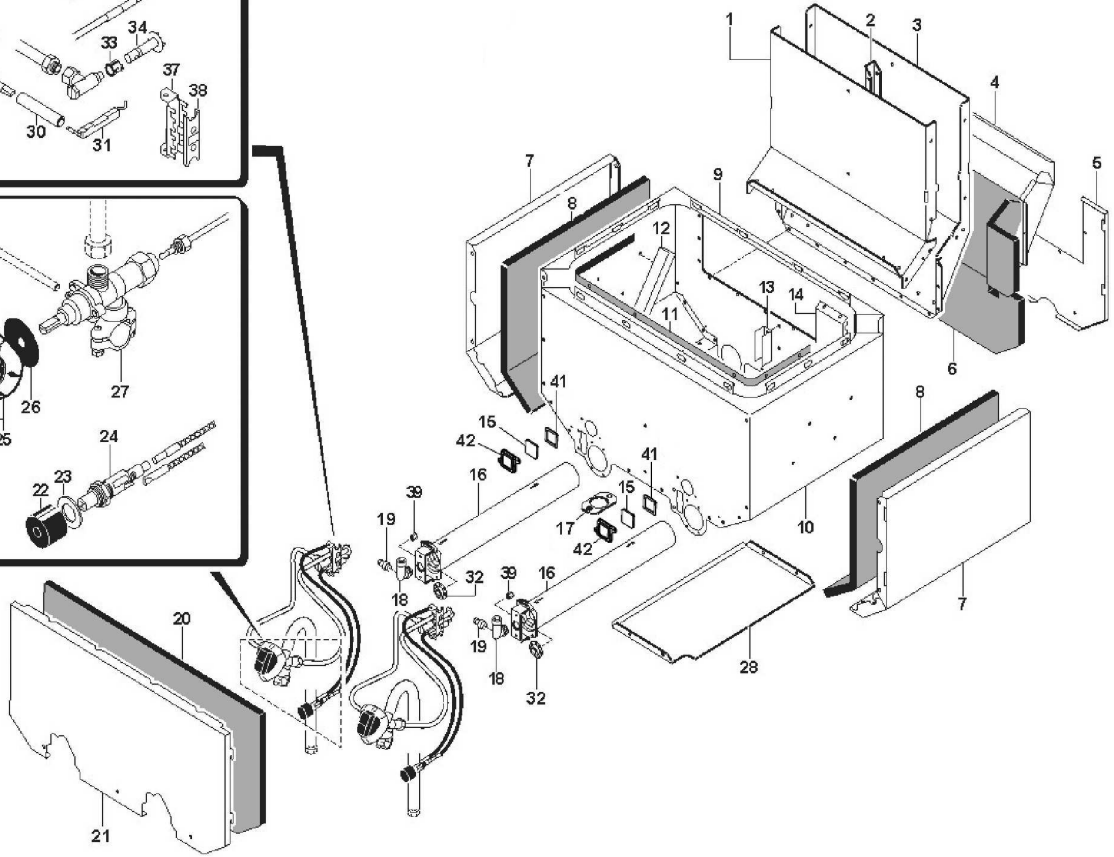
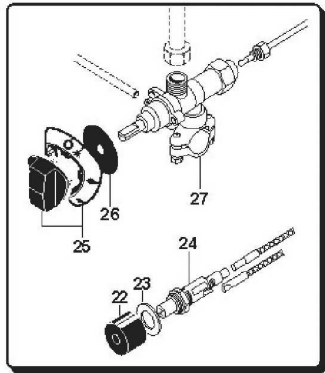
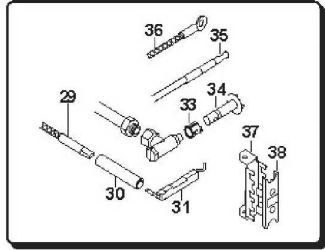


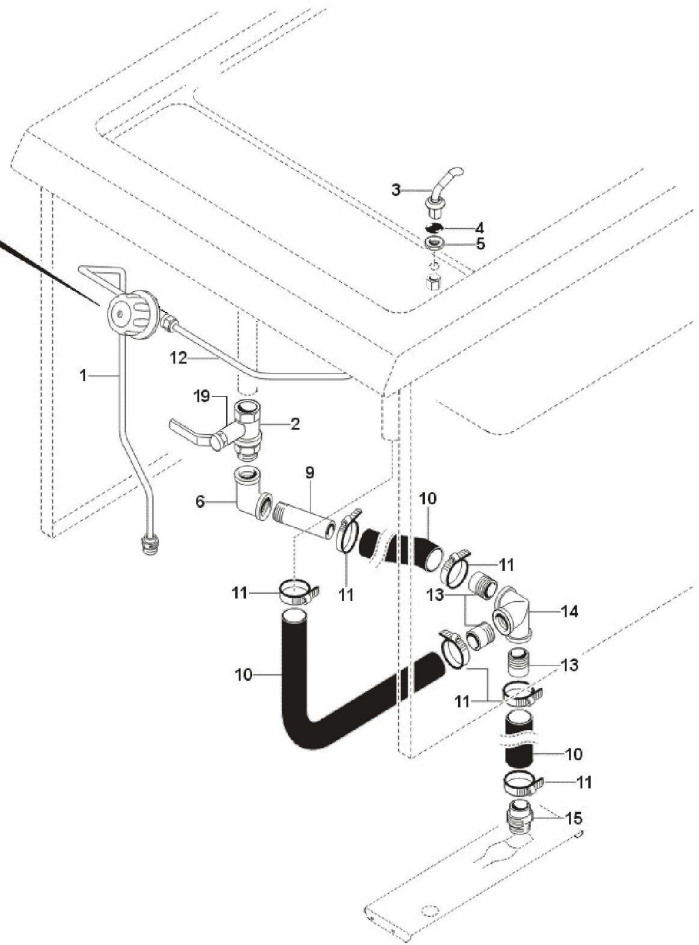
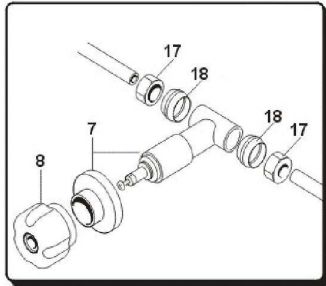


1G1CP1G

Edition 20140506-







Page	Pos	Code	Description	Info
002	001	35H3101	RH PANEL	07/10/2003-
002	002	35H3091	LH PANEL	07/10/2003-
002	003	35E1900	REAR PANEL 700	01/06/2002-
002	004	35U8052	SECTION 692X75X18	25/10/2005-
002	005	36C5360	4 FEETS ASS.Y	01/06/2002-
002	006	35N5420	OVERFLOW TOP	01/06/2002-
002	007	6300572	GAS TOP C/WELL ASS. Y 700X700X350	02/06/2002-
002	008	30A5330	UPPER CONTROL BOARD	01/06/2002-
002	009	35Y4060	SUPPORT	01/06/2002-
002	010	30Z3020	GAS MANIFOLD ASS. Y	01/06/2002-
002	011	3014330	FLEXIBLE PIPE DN10 L=600	16/02/2006-
002	012	3079320	FLEXIBLE PIPE L=750	05/10/2006-
002	013	3079320	FLEXIBLE PIPE L=750	05/10/2006-
002	014	3014330	FLEXIBLE PIPE DN10 L=600	16/02/2006-
002	015	3600090	MAGNET PLATE	01/06/2002-
002	016	36Q2000	CAP Ø 6,5	01/06/2002-
002	017	36M7290	RH LOWER HINGE ASS. Y	01/06/2002-
002	018	36M7241	UPPER HINGE ASS.Y	01/06/2002-
002	019	35G9240	COUNTER DOOR	01/06/2002-
002	020	36M3400	HANDLE	01/06/2002-
002	021	35G9251	DOOR GAMMA	06/05/2014-
002	022	36M7250	LH LOWER HINGE ASS. Y	01/06/2002-
002	023	35Y3581	SECTION	01/09/2009-
002	024	36A4631	BOTTOM NET	01/06/2002-
002	025	35Y3591	SECTION	11/06/2004-
002	026	30Q1780	EXT FLUE ASS. Y	01/06/2002-
002	027	36C4810	FLUE GUARD	01/06/2002-
002	028	137AA04	GASKET	01/06/2002-
002	029	36Q0080	BICONE Ø 10X6.5	24/06/2005-
002	030	36Q0830	BICONE NUT Ø 10	24/06/2005-
002	031	36Q1040	BICONE Ø4	05/10/2006-
002	032	36Q1000	CLOSING BICONE NUT Ø4	05/10/2006-
002	200	M011960	M.CONB.CHAMBER COMPL."CP"	01/06/2002-
002	201	M015310	M.WATER-DRAIN	01/06/2002-
003	001	35E5400	FLUE FRONT PLATE	01/06/2002-
003	002	35E6590	SPACER	01/06/2002-
003	003	35E5390	REAR FLUE	01/06/2002-
003	004	35E5430	REAR INS. PAN. COVERING	01/06/2002-
003	005	35E5420	REAR INS. PAN. COVERING	01/06/2002-
003	006	37Q4760	INSULANTING PANEL	01/06/2002-
003	007	35E5530	INS. PANEL COVERING	01/06/2002-
003	008	37Q4800	INSULANTING PANEL	01/06/2002-
003	009	35E5380	REAR COMBUST. CHAMBER	01/06/2002-
003	010	35E5370	FRONT COMBUST. CHAMBER	01/06/2002-
003	011	157AA01	GASKET	01/06/2002-
003	012	35R3960	"U" BRACKET	01/06/2002-
003	013	35R3970	"U" BRACKET	01/06/2002-
003	014	35P2000	BAFFLE	01/06/2002-
003	015	3070970	SPY-HOLE	01/02/2006-
003	016	34A2510	BURNER 8,5 KW	01/06/2002-
003	017	35P5820	DRAIN PIPE PROTECTION	01/06/2002-

Page	Pos	Code	Description	Info
003	018	33Q5240	NOZZLE HOLDER ELBOW	01/06/2002-
003	019	33A0640	PRESSURE TEST POINT	01/06/2002-
003	020	37Q4750	INSULANTING PANEL	01/06/2002-
003	021	35E5410	FRONT INS. PAN. COVERING	01/06/2002-
003	022	37Q2100	HEAT. ELEM. PROTECTION	01/06/2002-
003	023	3191100	WASHER Ø31 Ø18,3=2	01/06/2002-
003	024	3166990	PIEZO IGNITION	13/07/2010-
003	025	6300521	GAS CONTROL ASS.Y	01/06/2002-
003	026	3152250	GAS VALVE GUARD Ø 50	01/06/2002-
003	027	33D1930	GAS CONTROL	01/06/2002-
003	028	35P5510	BAFFLE	01/06/2002-
003	029	32A2541	CABLE "HF" 900MM	07/10/2009-
003	030	131AA46	HOSE 8'X40	01/06/2002-
003	031	32T0010	IGNITION PLUG	27/01/2010-
003	032	36C2762	BUSHING	25/02/2004-
003	033	33A0970	RING NUT	01/06/2002-
003	034	33A1081	THREE-FLAME BURNER	24/04/2008-
003	035	33A0680	THERMOCOUPLE M8X1X600	01/06/2002-
003	036	32A2530	CABLE 900MM	01/06/2002-
003	037	35R1460	SUPPORT	01/06/2002-
003	038	33A0950	REAR BRACKET	01/06/2002-
003	039	36Q0980	LOCK NUT M16X1.5	01/06/2002-
003	040	33A0690	PILOT BURNER BODY	01/06/2002-
003	040	33A0960	Ø0,40 PILOT BURNER BODY	01/06/2002-
003	041	3031901	Ø0,25 GASKET	01/02/2006-
003	042	3070980	SUPPORT GLASS	01/02/2006-
004	001	30Z3340	WATER BURNER PIPE ASS. Y	01/03/2003-
004	002	33D1980	COCK MF 1"	01/03/2003-
004	003	3003441	WATER SPOUT	02/04/2013-
004	004	37Q1210	"O" RING Ø 18.77"	01/03/2003-
004	005	36Q1110	LOCK NUT 3/8"	01/03/2003-
004	006	33Q2930	"ELBOW F 1""	01/03/2003-
004	007	3162191	COCK 3/8"	18/12/2009-
004	008	3162200	RED RING KNOB	28/01/2009-
004	009	35X0270	DRAIN PIPE	01/03/2003-
004	010	33M0800	PIPE	01/03/2003-
004	011	3140300	HOSE CLAMP	01/03/2003-
004	012	35X5960	RH WATER PIPE	01/03/2003-
004	013	35X3830	DRAIN PIPE	01/03/2003-
004	014	33Q2520	"TEE 1"" SIDE OUTLET"	01/03/2003-
004	015	33Q3510	NIPPLE M 1"G	01/03/2003-
004	017	36Q0140	BICONE NUT Ø 10	24/03/2003-
004	018	36Q0080	BICONE Ø 10X6.5	24/03/2003-
004	019	3029350	EXTENSION	01/03/2003-