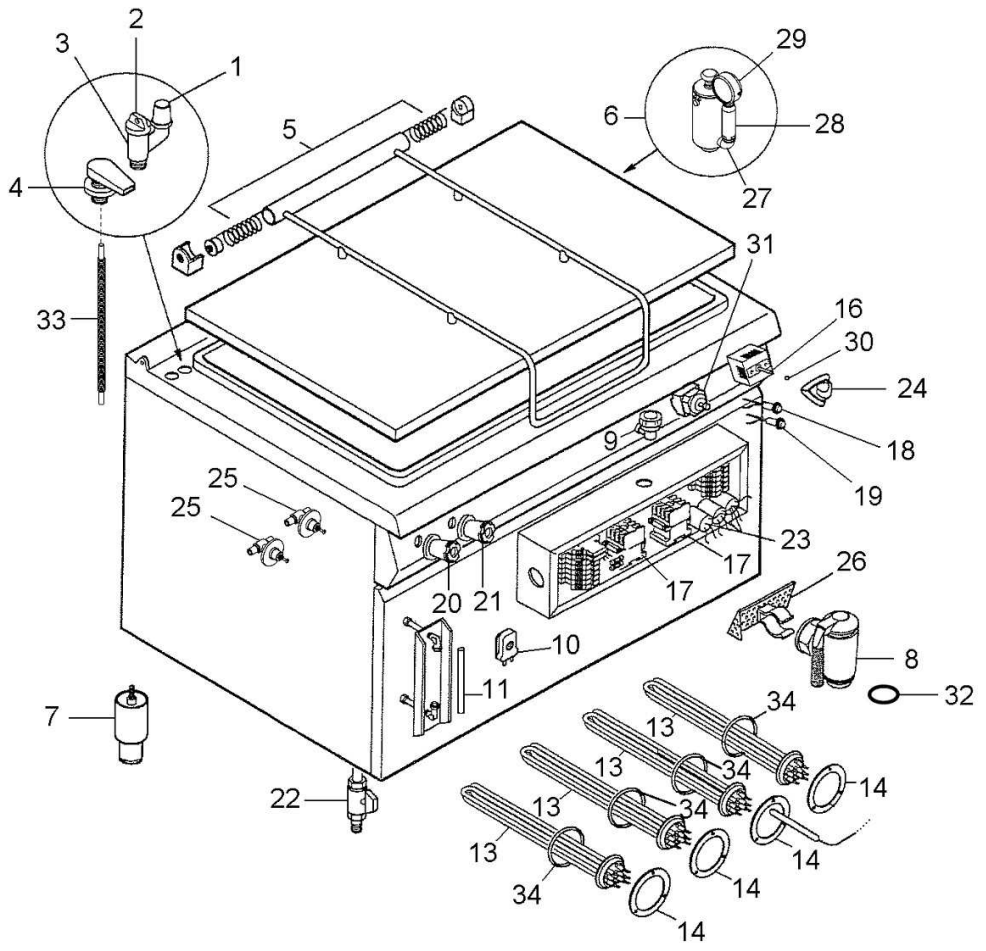




291PI3E

Edition 20110101-



Pos	Code	Description	Info
001	291PI3E-Pos.001	VACUUM VALVE 1/2"	01/03/2006-
002	36C4410	Plug	01/03/2006-
003	291PI3E-Pos.003	EXPANSION BOX	01/03/2006-
004	3012830	PIPE UNION	01/03/2006-
005	36H0950	COUPLE HINGE SPRINGS	01/03/2006-
006	3006310	"PRESS. RELEASE VALVE 3/4"" 0,5B"	01/03/2006-
007	36C2970	STAINLESS STEEL FOOT	01/03/2006-
008	33D2291	"DRAIN COCK 2"""	01/10/2008-
009	33G0730	DRAINAGE	01/03/2006-
010	32V1790	PRESSURE-SWITCH	01/03/2006-
011	37N1440	PIPE	01/03/2006-
013	32G3080	HEATING ELEMENT 6KW + BULB HOLDER	01/03/2006-
014	36C4660	FLANGE	01/03/2006-
016	32Z0171	VOLTAGE REGULATOR	01/03/2006-
017	3003120	CONTACTOR 55A	01/03/2006-
018	6300652	GREEN LIGHT 400V ASS.Y	24/05/2007-
019	6300651	ORANGE LIGHT 400V ASS.Y	23/05/2007-
020	36M2642	RED RING KNOB	01/01/2011-
021	36M2632	BLUE RING KNOB	01/01/2011-
022	33D2860	TAP	01/03/2006-
023	3114540	THREE CAPACITOR	01/03/2006-
024	3015791	HANDLE	14/03/2008-
025	3221450	COCK	01/03/2006-
026	36A5510	GRID	01/03/2006-
027	291PI3E-Pos.027	ELBOW	01/03/2006-
028	33G1130	SUPPORT	01/03/2006-
029	32Z0060	PRESSURE GAUGE 0-1 BAR	01/03/2006-
030	3170290	KNOB SPRING	01/03/2006-
031	32V0320	SAFETY THERMOSTAT	01/03/2006-
032	3152331	"OR" GASKET FOR	01/03/2006-
033	3012840	DRAIN COCK 2"" FLEXIBLE PIPE	01/03/2006-
034	3236560	O-RING	01/03/2006-