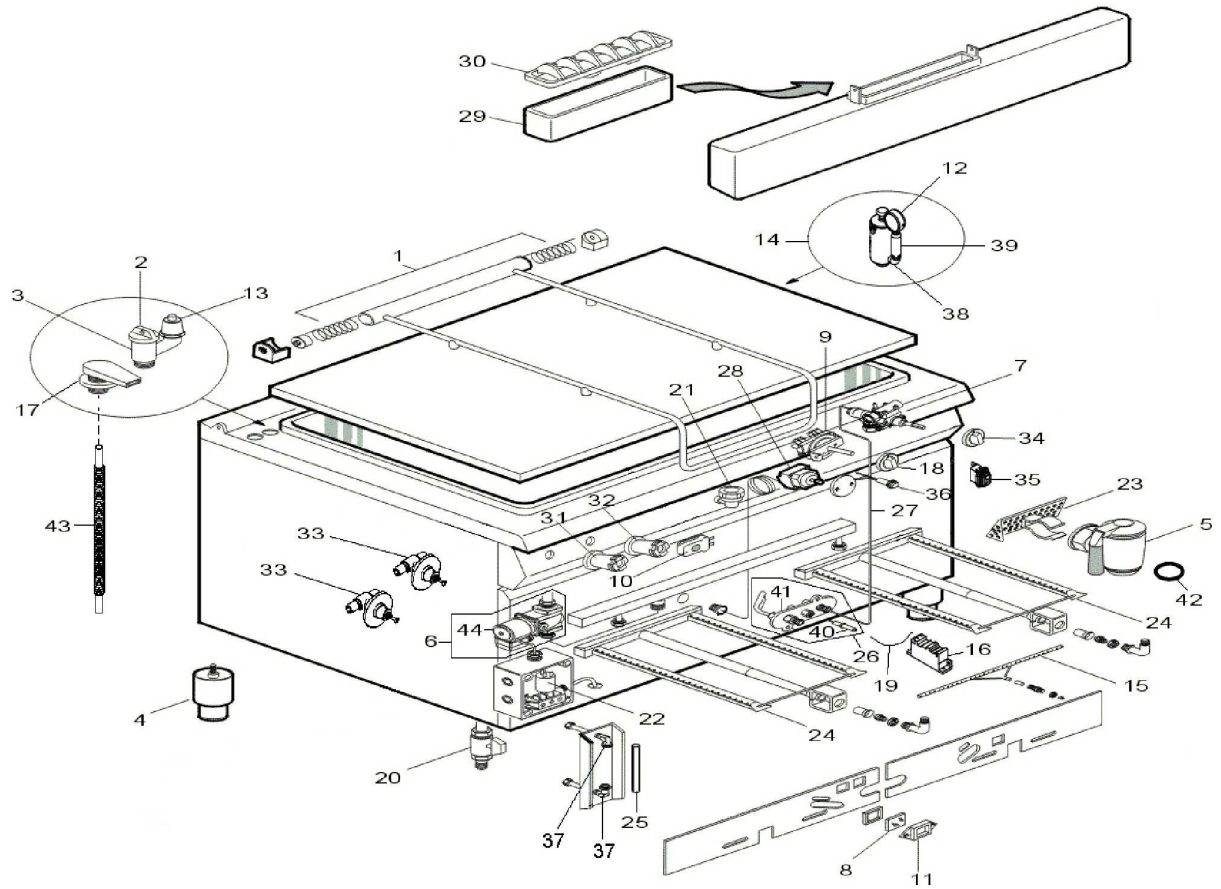




**291PI3G**

**Edition 20110101-**



Pos	Code	Description	Info
001	36H0950	COUPLE HINGE SPRINGS	01/03/2006-
002	36C4410	Plug	01/03/2006-
003	291PI3G-Pos.003	EXPANSION BOX	01/03/2006-
004	36C2970	STAINLESS STEEL FOOT	01/03/2006-
005	33D2291	"DRAIN COCK 2"""	01/10/2008-
006	33A1650	SOLENOID VALVE 220V	01/03/2006-
007	33A1530	GAS CONTROL	01/03/2006-
008	37N1420	SPY-HOLE	01/03/2006-
009	32W0490	SWITCH	01/03/2006-
010	32V1790	PRESSURE-SWITCH	01/03/2006-
011	35E1590	FLANGE SUPPORT	01/03/2006-
012	32Z0060	PRESSURE GAUGE 0-1 BAR	01/03/2006-
013	291PI3G-Pos.013	VACUUM VALVE 1/2"	01/03/2006-
014	3006310	"PRESS. RELEASE VALVE 3/4"" 0,5B"	01/03/2006-
015	34A2320	BURNER	01/03/2006-
016	32T0210	SPARK IGNITION DEVICE	01/03/2006-
017	3012830	PIPE UNION	01/03/2006-
018	3015851	ELECTRIC CONTROL KNOB	12/03/2008-
019	3011720	"CABLE ""HF"" 1600MM"	01/03/2006-
020	33D2860	TAP	01/03/2006-
021	33G0730	DRAINAGE	01/03/2006-
022	291PI3G-Pos.022	CONDENSER	01/03/2006-
023	36A5510	GRID	01/03/2006-
024	34A2330	BURNER	01/03/2006-
025	37N1440	PIPE	01/03/2006-
026	33A1690	SPARK IGNITION DEVICE	01/03/2006-
027	33A1880	INTERRUPTED THERMOCOUPLE	01/03/2006-
028	32Z9621	SAFETY THERMOSTAT	01/01/2008-
029	30Q1800	EXT FLUE ASS. Y	01/03/2006-
030	36C1310	FLUE GUARD	01/03/2006-
031	36M2642	RED RING KNOB	01/01/2011-
032	36M2632	BLUE RING KNOB	01/01/2011-
033	3221450	COCK	01/03/2006-
034	3015731	GAS CONTROL KNOB	11/03/2008-
035	6300676	RED SWITCH ASSEMBLY	29/01/2008-
036	3106710	GREEN LIGHT 230V	23/05/2007-
037	3073460	ELBOW+ GASKET	01/03/2006-
038	291PI3G-Pos.038	ELBOW	01/03/2006-
039	33G1130	SUPPORT	01/03/2006-
040	32T0320	IGNITION PLUG	01/03/2006-
041	3095580	PILOT BURNER	01/03/2006-
042	3152331	"OR" GASKET FOR DRAIN COCK 2"""	01/03/2006-
043	3012840	FLEXIBLE PIPE	01/03/2006-
044	32V3640	SOLENOID VALVE COIL 220V	01/03/2006-