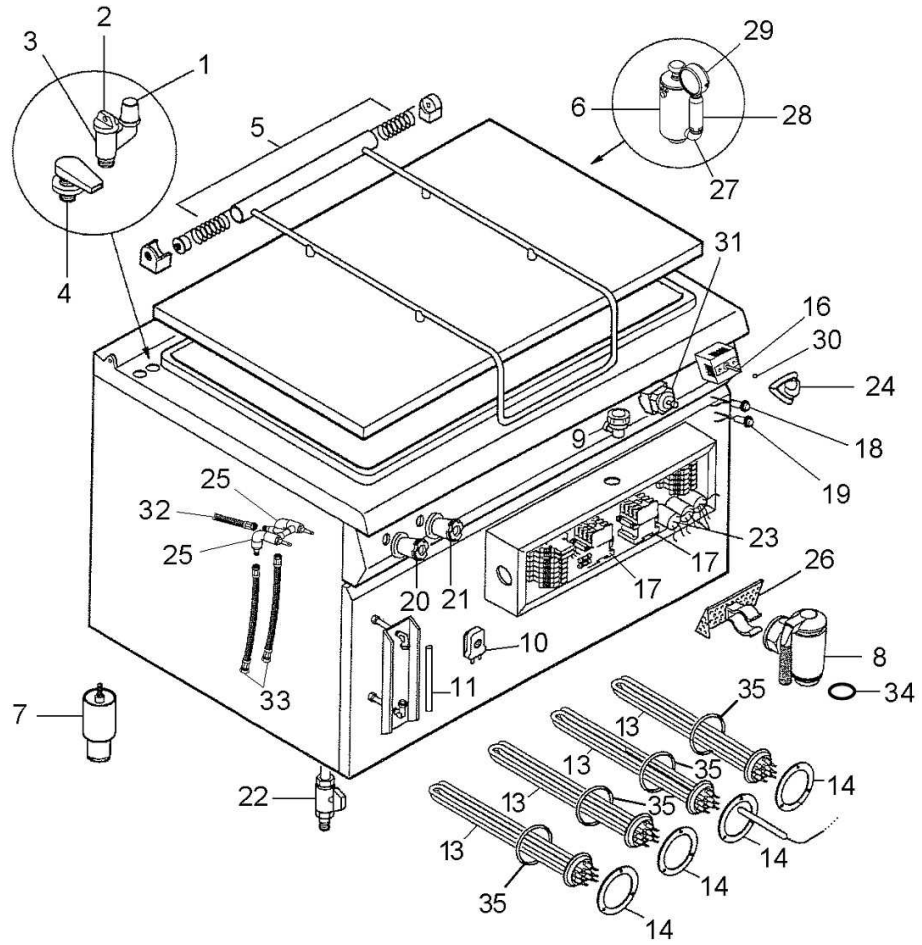




**2A1PI3E**

**Edition 20081001-**



Pos	Code	Description	Info
001	2A1PI3E-Pos.001	VACUUM VALVE 1/2"	01/12/2000-
002	36C4410	Plug	01/12/2000-
003	2A1PI3E-Pos.003	PIPE FITTING 1/2"	01/12/2000-
004	3012830	PIPE UNION	01/12/2000-
005	36H0950	COUPLE HINGE SPRINGS	01/12/2000-
006	3245990	PRESS. RELEASE VALVE	01/12/2000-
007	36C4400	FOOT	01/12/2000-
008	33D2291	"DRAIN COCK 2""	01/10/2008-
009	33G0730	DRAINAGE	01/12/2000-
010	32V1790	PRESSURE-SWITCH	01/01/2004-
011	37N1440	PIPE	01/12/2000-
013	32G3080	HEATING ELEMENT 6KW + BULB HOLDER	01/12/2000-
014	36C4660	FLANGE	01/12/2000-
016	32Z0171	VOLTAGE REGULATOR	01/12/2000-
017	3003120	CONTACTOR 55A	01/12/2000-
018	6300652	GREEN LIGHT 400V ASS.Y	24/05/2007-
019	6300651	ORANGE LIGHT 400V ASS.Y	23/05/2007-
020	36M4010	RED RING KNOB	01/12/2000-
021	36M4030	BLUERING KNOB	01/12/2000-
022	33D2860	TAP	01/12/2000-
023	2A1PI3E-Pos.023	CONDENSER	01/12/2000-
024	6300493	EL. CONTROL ASS.Y	01/12/2000-
025	3221450	COCK	01/12/2000-
026	36A5510	GRID	01/12/2000-
027	2A1PI3E-Pos.027	ELBOW	01/12/2000-
028	33G1130	SUPPORT	01/12/2000-
029	32Z0060	PRESSURE GAUGE 0-1 BAR	01/12/2000-
030	3170290	KNOB SPRING	01/12/2000-
031	32V0320	SAFETY THERMOSTAT	01/12/2000-
032	3012840	FLEXIBLE PIPE	01/12/2000-
033	33D3100	TWO-FLEXIBLE PIPE	01/12/2000-
034	3152331	"OR" GASKET FOR DRAIN COCK 2""	01/12/2000-
035	3236560	O-RING	01/12/2000-