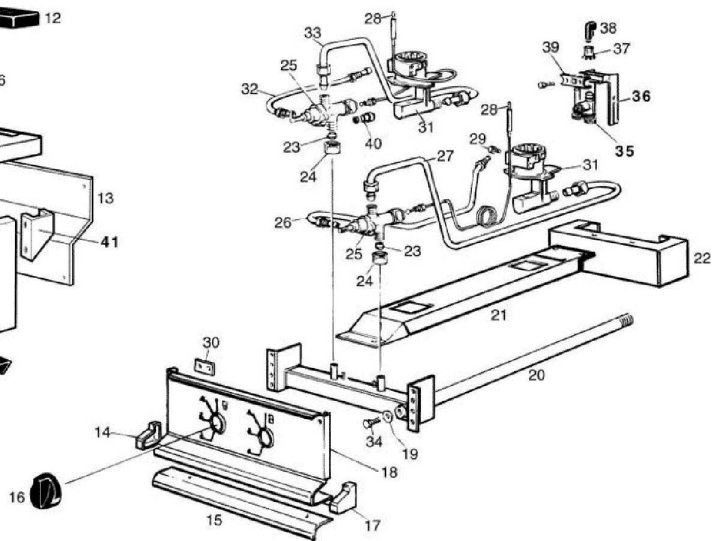
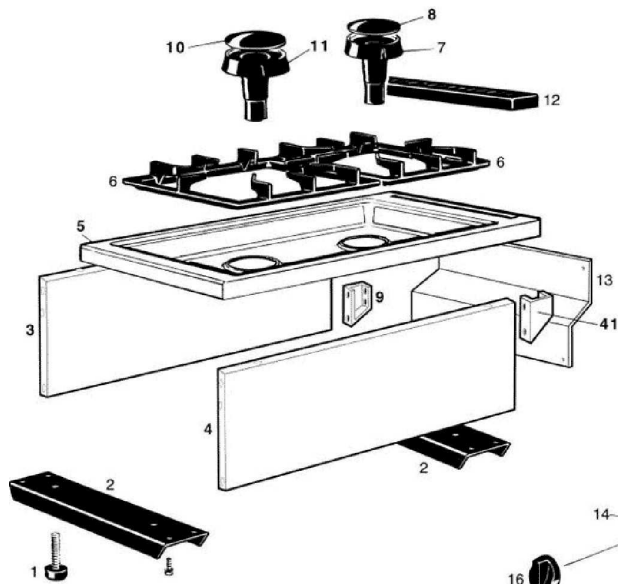




030

Edition 20010613-



Page	Pos	Code	Description	Info
002	001	36D2970	ADJUSTABLE FOOT	01/11/1995-
002	002	30T2531	FOOT HOUSING ASS. Y	01/11/1995-
002	003	35C0590	LH PANEL	01/11/1995-
002	004	35C0600	RH PANEL	01/11/1995-
002	005	30M1811	TOP ASS. Y	01/11/1995-
002	006	36A2600	PAN REST	01/11/1995-
002	007	34A1380	BURNER Ø 90	01/11/1995-
002	008	34A1123	BURNER CAP Ø 90	01/11/1995-
002	009	35Q8290	LEFT HAND PANEL	01/11/1995-
002	010	34A1133	BURNER CAP Ø 110	01/11/1995-
002	011	34A1391	BURNER Ø 110	01/11/1995-
002	012	35D4280	FLUE GUARD	01/11/1995-
002	013	35B2022	REAR PANEL	15/01/1996-
002	014	36D3430	LH END SIDE	01/11/1995-
002	015	35S1720	BRACKET	01/11/1995-
002	016	36M3050	GAS CONTROL KNOB	01/11/1995-
002	017	36D3420	RH END SIDE	01/11/1995-
002	018	35B3490	UPPER CONTROL BOARD	01/11/1995-
002	019	3128460	WASHER	01/11/1995-
002	020	30Z1721	GAS MANIFOLD	01/11/1995-
002	021	35S0140	CROSS MEMBER	01/11/1995-
002	022	35R0820	LON. SECTION	15/01/1996-
002	023	36Q0080	SUPPORT BICONE Ø 10X6.5	01/11/1995-
002	024	36Q0830	BICONE NUT Ø 10	01/11/1995-
002	025	33D1170	GAS CONTROL	01/11/1995-
002	026	35Z7410	PIPE	01/11/1995-
002	027	35Z7430	PIPE	01/11/1995-
002	028	33A0680	THERMOCOUPLE	13/06/2001-
002	029	31B8800	M8X1X600 SCREW	01/11/1995-
002	030	35T9650	FLAT BRACKET	01/11/1995-
002	031	36D2771	BURNER SUPPORT	01/11/1995-
002	032	35Z7400	PIPE	01/11/1995-
002	033	35Z7420	PIPE	01/11/1995-
002	034	31A7380	SCREW TE M5X10	01/11/1995-
002	035	33A0200	PILOT BURNER ASS.Y	01/11/1995-
002	036	35V9130	PILOT BURNER SUPPORT	01/11/1995-
002	037	33A0970	RING NUT	01/11/1995-
002	038	33A1070	ONE-FLAME BURNER	01/11/1995-
002	039	33A0950	REAR BRACKET	01/11/1995-
002	040	32Z1520	VALVE MAGNET	01/11/1995-
002	041	35Q8300	RIGHT HAND PANEL	01/11/1995-
002	042	107WR01	JUNCTION BOX	01/01/2000-