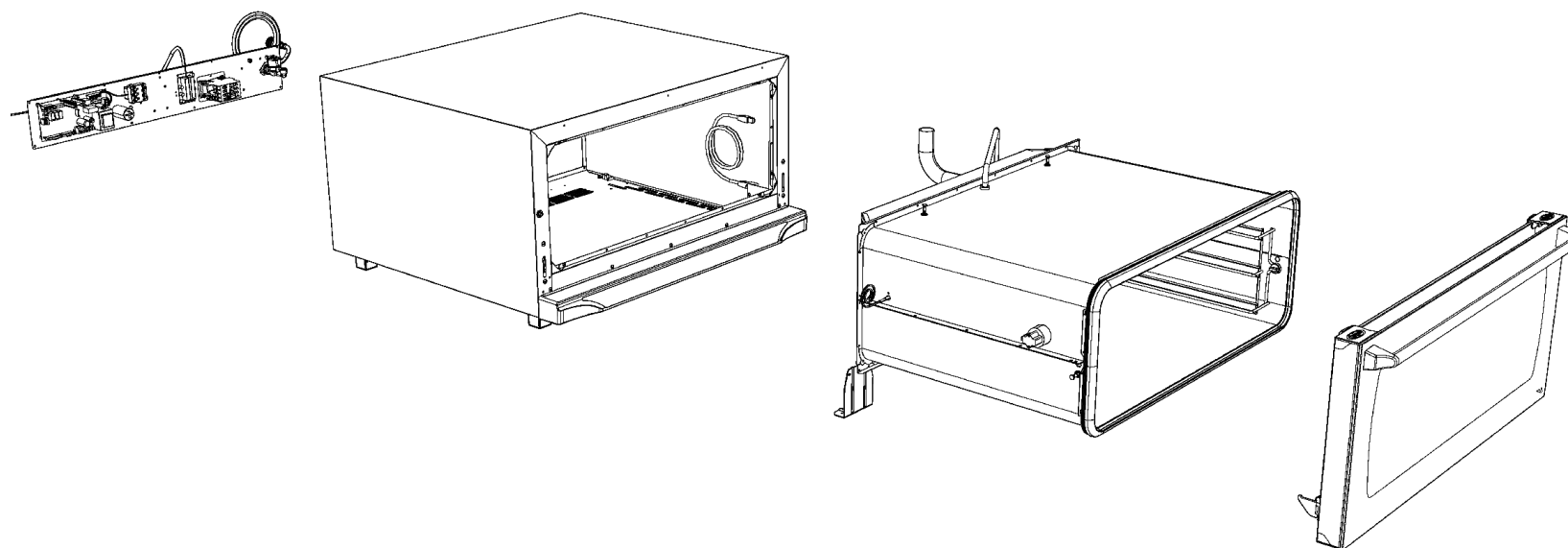
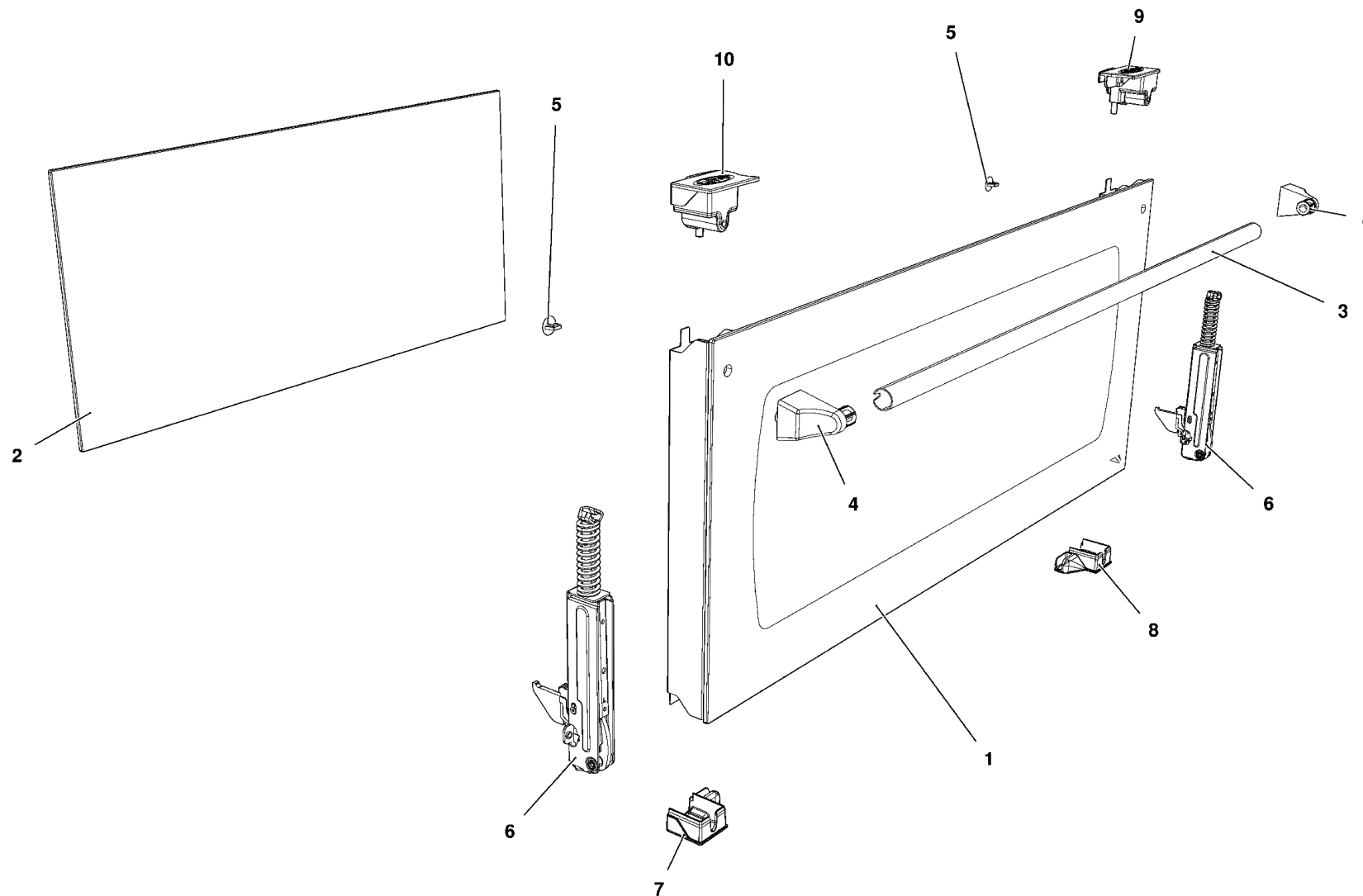


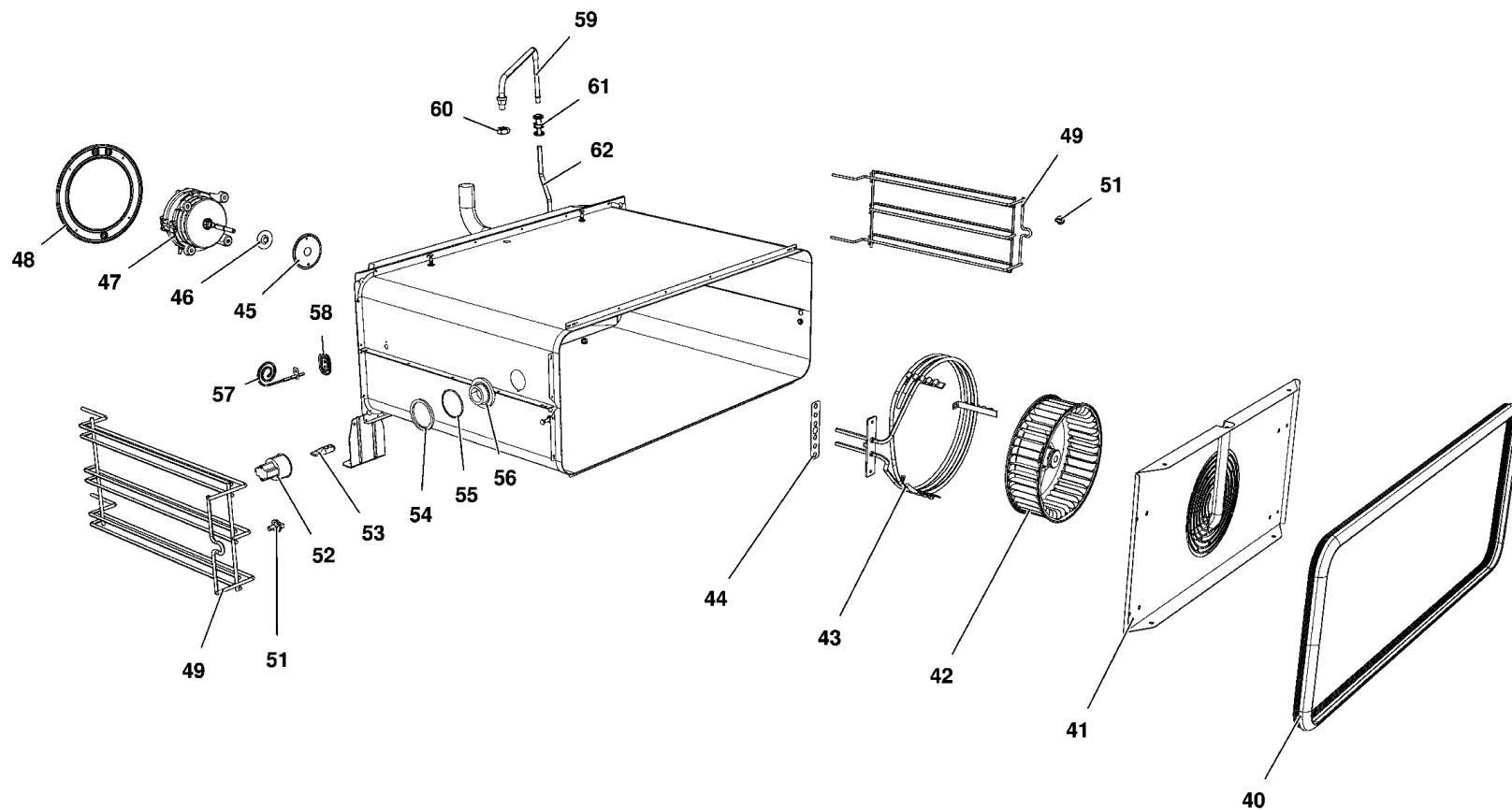
# MOD:XFT185



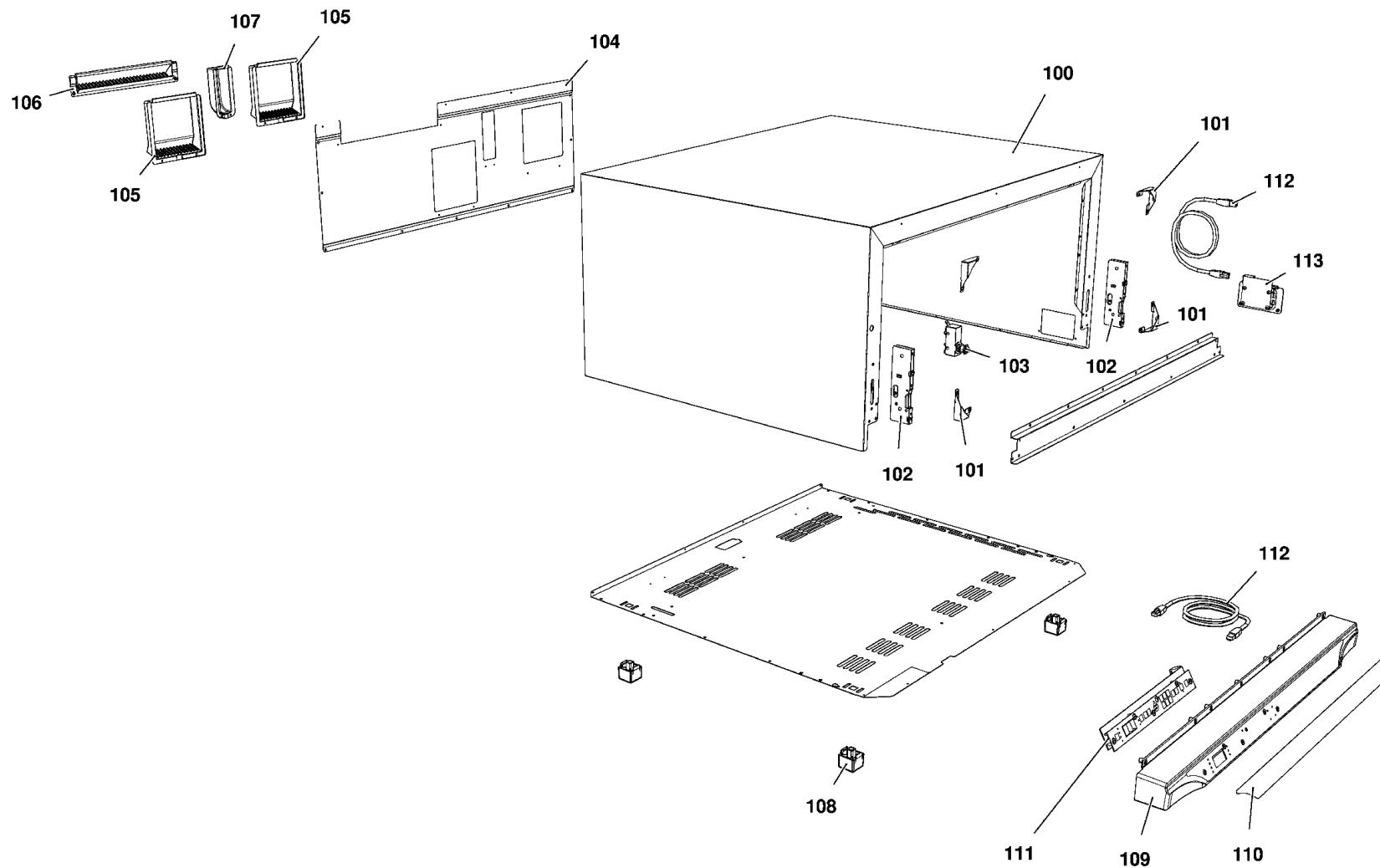
# MOD:XFT185



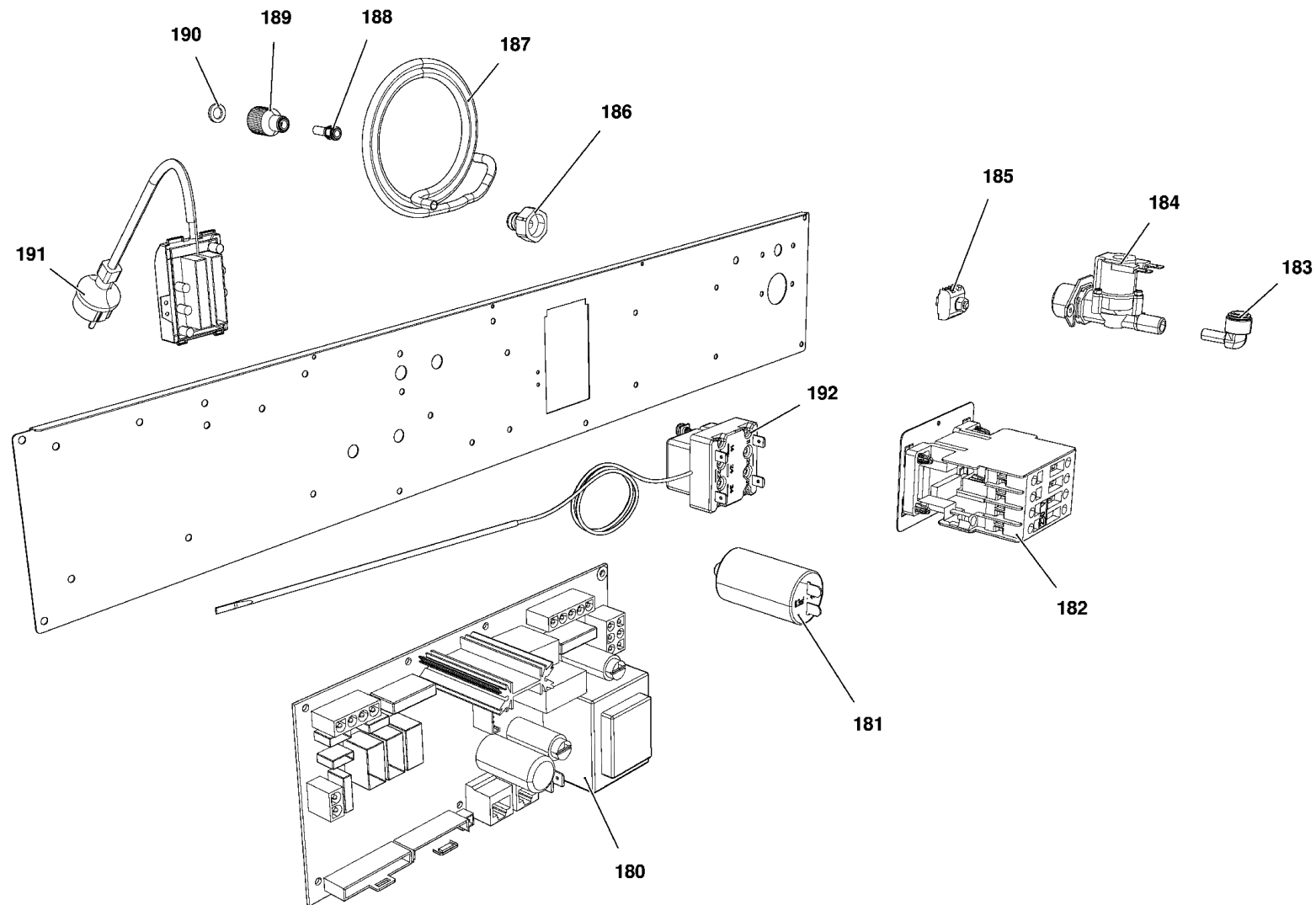
# MOD:XFT185



# MOD:XFT185



# MOD:XFT185



# MOD:XFT185



## IT

## Descrizione codici

1	VT1067A	VETRO ESTERNO SER. GRIGIO 798X344X5
2	VT1065B	VETRO INTERNO 715X335X6 BETFL L.M. ELENA
3	OH1930B	TUBO MANIGLIA L= 718 Ø18x1
4	MG1015B	TERMINALE MANIGLIA L.MISS/L.MICRO/CHEFTO
5	VM1025A	TAPPO NYLON PA66 V2 GRIGIO Ø16
6	CR1020B	CERNIERA PORTA FORNO RIBALTA L.M. ELENA
7	VM1919A	TAPPO COLONNINA INF SX
8	VM1918A	TAPPO COLONNINA INF DX
9	VM1916A	TAPPO COLONNINA SUP DX
10	VM1917A	TAPPO COLONNINA SUP SX
40	GN1353A	GN1110A-GUARNIZIONE PORTA LM ELENA
41	OG1120D	CARTER ARIA LM ELENA
42	VN1025A	VENTOLA D=196 H=61 38 PALE INOX DADO M8
43	RS1090A	RESISTENZA CIRCOLARE D=230 3 SPIRE
44	GN1327A	GUARNIZIONE RES. 100X22
45	OH3020A	DISCO TENUTA ALBERO MOTORE
46	GN1140A	GUARNIZIONE PORTAMOTORE STAMP.
47	VN1130A	MOTORE FORNO 330W 230V 50/60HZ
48	OH3586A	LAMIERA PROTEZIONE MOTORE ZINCATO
49	GRL1015A	GRIGLIA LATERALE DX/SX CROMATA
49	GRL1015A	GRIGLIA LATERALE DX/SX CROMATA
51	VM1815A	NOTTOLINO M6 CROMATO FISS. GRIGLIE
52	VE1015A	PORTA LAMPADA SERIE 2 PER LAMPADA
53	VE1005A	LAMPADA HALOPIN 25W
54	GN1065A	GUARNIZIONE PORTALAMPADA DE=53.2
55	GN1055A	OR 46x2 VMQ.70 ROSSO
56	VT1195A	VETRO COPRILAMPADA BOROSILICATO TEMPRATO
57	TR1105A	SONDA TEMPERATURA PT100 L1000
58	VM2052A	COPERCHIO Sonda TEMPERATURA LM
59	OH1990A	TUBO EST. UMIDITA' + RC1165A0
60	RC1170A	DADO M14 H=8 CH=22 INOX

61	EL1055A	RIDUZIONE INTERMEDIA D10-D8
62	TB2034A	TB1815A-IMPIANTO IDRICO FORNI LMS
100	OD1280F	MANTELLINO LM ELENA
101	OH1450A	ANGOLO FACCIATA MUFFOLA INOX XB-XV-XG
102	CR1000A	ATTACCO CERNIERA PORTA FORNO RIBALTA
103	VE1295A	MICROINTERRUTTORE PORTA MK 16A 230V UL
104	OF1090C	SCHIENA LM ELENA
105	VM1952A	COPRIMOTORE IP
106	VM1950A	GRONDAIA PLASTICA
107	VM1951A	CUFFIA COPRICAMINO IP
108	PD1001A	PIEDINO 35X35 H26 PLASTICA+GOMMA GRIGIO
109	VM2017A	CRUSCOTTO COMANDI DYNAMIC LMiss800
110	MS1013A	MASCHERINA SERIGRAFATA DYNAMIC LM800 TOU
111	PE1980A	ASM SCHEDA CONTROLLO LMiss TOUCH
112	CE1012A	CAVO DI RETE RJ45 L1MT
112	CE1012A	CAVO DI RETE RJ45 L1MT
113	PE2012A	ASSIEME UNOXLink LM RJ45
180	PE1983A	SCHEDA POTENZA 230V LMiss DYNAMIC
181	VE1110A	CONDENSATORE 6,3 µF 450VAC 50/60Hz
182	VE1095A	TELERUTTORE GE 25A 230V 50/60
183	EL1195A	RACCORDO A GOMITO CON J.GUEST
184	EL1085A	ELETTR.SING. ATT. J.GUEST INCORPORATO
185	VM1750A	MORSETTIERA A PETTINE
186	RC1030A	RACCORDO DIRITTO D=8 - 3/4 FEMMINA JOHN
187	TB1079A	TUBO D8 ALLACCIAMENTO RETE LMiss
188	RC1002A	RACCORDO RIDUZIONE CODOLO 10M-8F
189	RC1365A	RACCORDO JG FEMMINA 3/4"-10
190	GN1200A	GUARNIZIONE D=24 RACCORDO 3/4 GOMMA
191	MR1006A	CAVO 3X1.5 H07RN-F MT1.5+K1/6+SCHUKO
192	TR1140A	TERM.SIC.BIP. 350°C RIARMO MANUALE

# MOD:XFT185



## EN

## Codes descriptions

1	VT1067A	EXTERNAL DOOR GLASS GREY SER. 798X344X5
2	VT1065B	INNER GLASS 715x335x6 L.M. ELENA
3	OH1930B	HANDLE TUBE L= 718 Ø18x1
4	MG1015B	L.MISS/L.MICRO/CHEFTOP HANDLE TERMINALS
5	VM1025A	NYLON LID PA66 V2 GREY Ø16
6	CR1020B	L.MISS ELENA DOOR HINGE
7	VM1919A	LEFT LOWER COLUMN CAP
8	VM1918A	RIGHT LOWER COLUMN CAP
9	VM1916A	RIGHT UPPER COLUMN CAP
10	VM1917A	LEFT UPPER COLUMN CAP
40	GN1353A	L.MISS ELENA DOOR GASKET - GN1110A
41	OG1120D	L.MISS ELENA FAN GUARD
42	VN1025A	FAN D=196 H=61 38 BLADES STAINLESS
43	RS1090A	CIRC.HEAT. ELEMENT D=230 3 TURNS
44	GN1327A	HEATING ELEMENT GASKET 100X22X0.8
45	OH3020A	MOTOR SHAFT SEALING DISC
46	GN1140A	MOLDED MOTOR SUPPORT GASKET
47	VN1130A	330W 230V 50/60HZ MOTOR
48	OH3586A	ZINCATE MOTOR GUARD PLATE XBC-XVC
49	GRL1015A	RIGHT/LEFT LATERAL GRID CHROM.PLATED
49	GRL1015A	RIGHT/LEFT LATERAL GRID CHROM.PLATED
51	VM1815A	M6 LATERAL SUPPORTS FIXING BOLT
52	VE1015A	LAMP HOLDER SERIE 2 FOR HALOGEN LAMP
53	VE1005A	HALOGEN LAMP 33W ENERGY SAVER
54	GN1065A	SEAL FOR LAMP GLASS COVER (PURE
55	GN1055A	OR 46x2 VMQ.70 RED
56	VT1195A	BOROSILICATE LIGHT BULB GLASS COVER
57	TR1105A	TEMPERATURE PROBE PT100 L1000
58	VM2052A	LineMiss TEMPERATURE PROBE COVER
59	OH1990A	EXTERNAL WATER PIPE + STAINLESS
60	RC1170A	STAINLESS STEEL NUT M14 H=8 CH=22

61	EL1055A	INTERMEDIATE REDUCTION FROM D=10 TO D=8
62	TB2034A	L.MISS WATER SYSTEM - TB1815A
100	OD1280F	L.MISS ELENA EXTERNAL CHASING
101	OH1450A	XB-XV-XG ST. STEEL MUFFLE FRONT CORNER
102	CR1000A	HINGE LATCH L.M.
103	VE1295A	DOOR MICROSWITCH MK 16A 230V UL
104	OF1090C	L.MISS ELENA EXTERNAL BACK PANEL
105	VM1952A	IP MOTOR COVER
106	VM1950A	PLASTIC DRIP FLAP
107	VM1951A	IP CHIMNEY COVER
108	PD1001A	FOOT 35X35 H26 GREY PLASTIC+RUBBER
109	VM2017A	600x400 LineMiss Dynamic CONTROL BOARD
110	MS1013A	L.MISS TOUCH DYN. CONTROL BOARD STICKER
111	PE1980A	LineMiss TOUCH CONTROL BOARD
112	CE1012A	RJ45 CABLE L= 1 MT
112	CE1012A	RJ45 CABLE L= 1 MT
113	PE2012A	Line Miss RJ45 UNOXLink CONNECTING POINT
180	PE1983A	LineMiss DYNAMIC TOUCH POWER CARD
181	VE1110A	CONDENSER 6,3 µF 450VAC 50/60Hz
182	VE1095A	REMOTE CONTROL SWITCH GE 25A 230V
183	EL1195A	ELBOW UNION WITH J.GUEST TERMINAL
184	EL1085A	WATER SINGLE ELECTROVALVE WITH
185	VM1750A	TERMINAL BOARD
186	RC1030A	STRAIGHT JOINT D=8-3/4 FEMALE JOHN
187	TB1079A	L.MISS D8 WATER PIPE
188	RC1002A	10M-8F J.G. TERMINAL REDUCTION FITTING
189	RC1365A	3/4"-10 JG FEMALE CONNECTION
190	GN1200A	3/4 CONNECTION SEAL D=24 RUBBER+NET
191	MR1006A	CABLE 3X1.5 H07RN-F MT1.5+K1/6+SCHUKO
192	TR1140A	350°C SAFETY THERMOSTAT MANUAL RESET