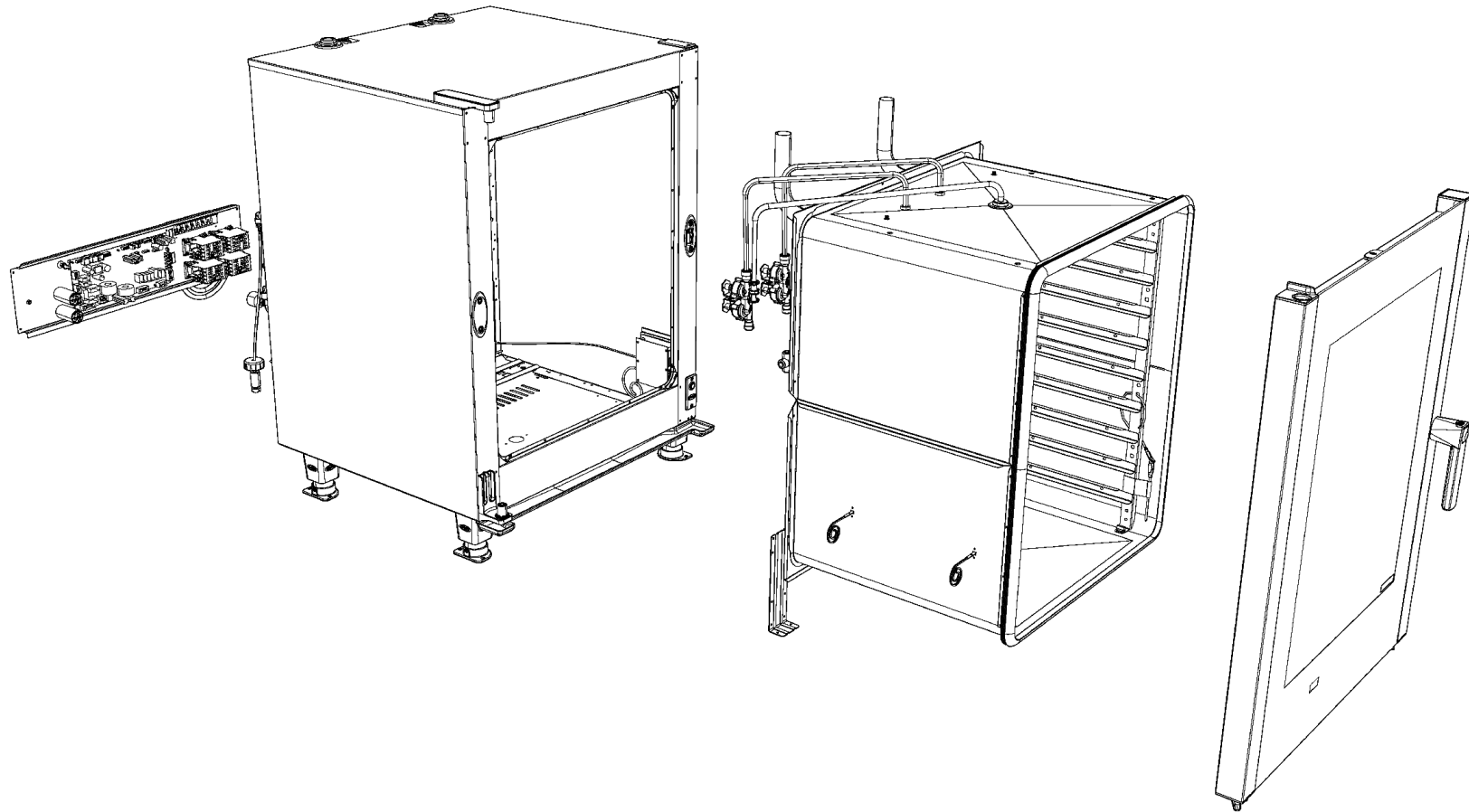
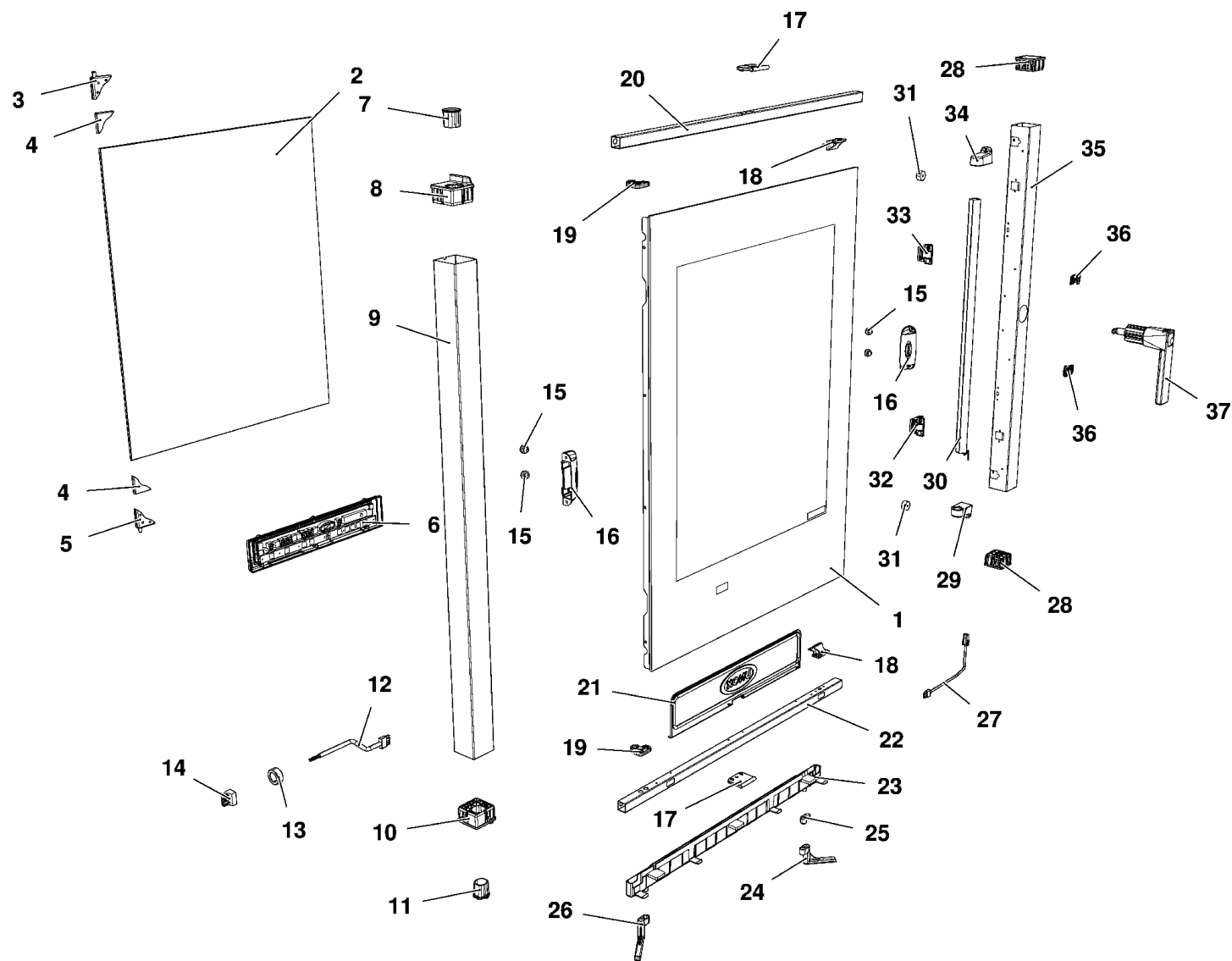


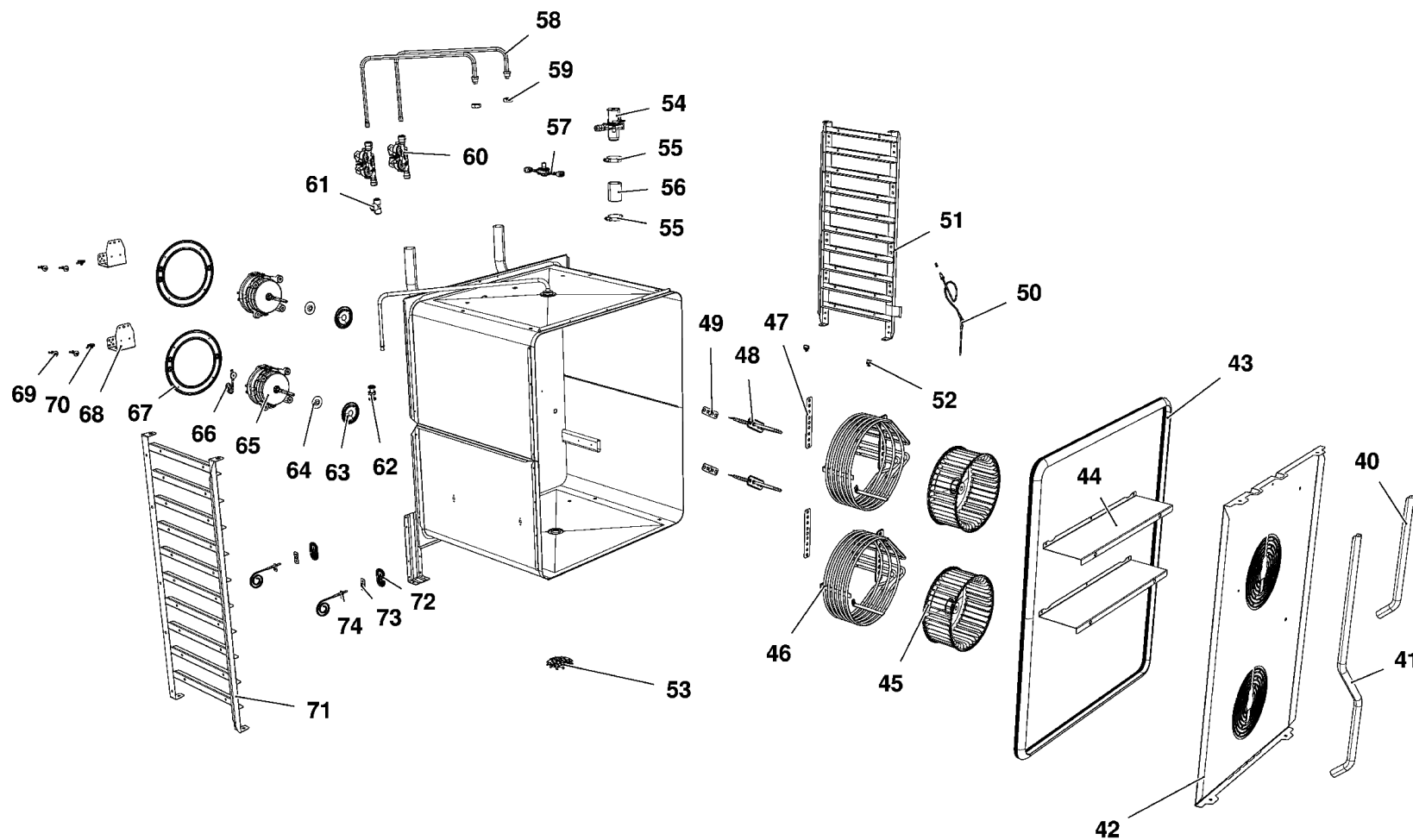
MOD:XVC705E



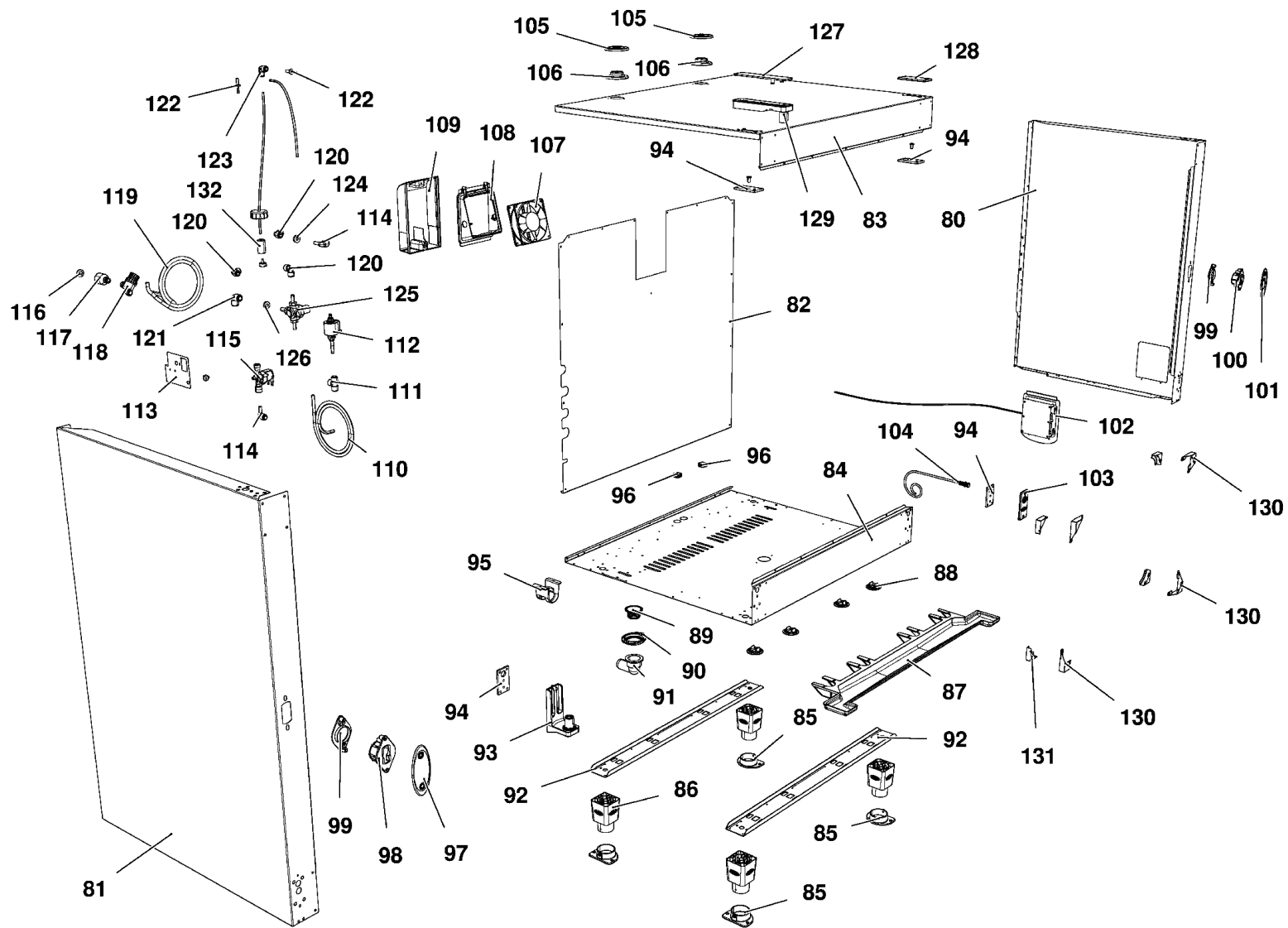
MOD:XVC705E



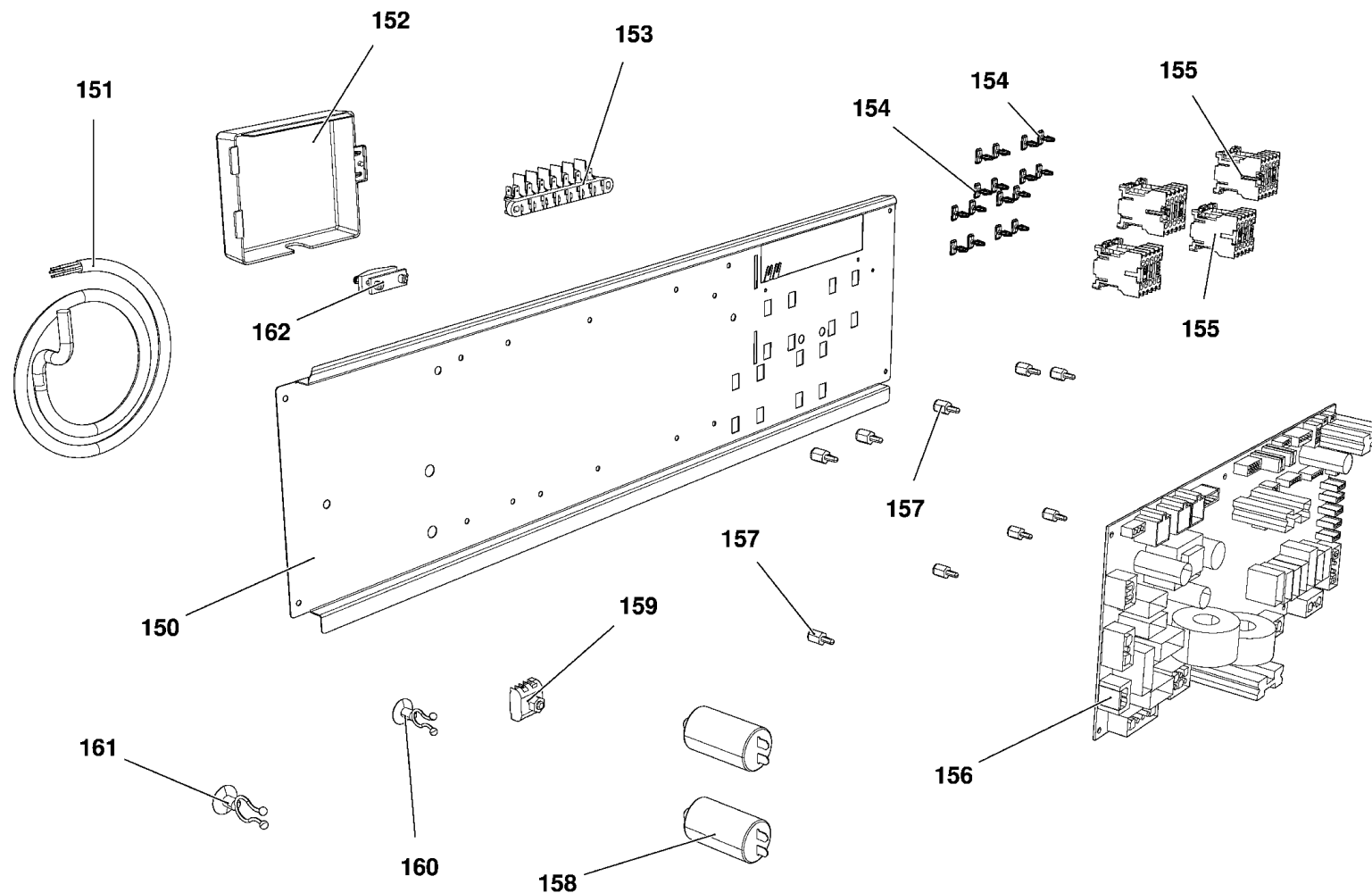
MOD:XVC705E



MOD:XVC705E



MOD:XVC705E



MOD:XVC705E



IT

Descrizione codici

1	VT1106B	VETRO ESTERNO SER. 647X890X4 CTFL
2	VT1105A	VETRO INTERNO 633X767X6 BETFL XVC
3	CR1085A	CERNIERA VETRO INT INOX SUP
4	GN1181A	GUARNIZIONE CERN VETRO INT CR1085
5	CR1086A	CERNIERA VETRO INT INOX INF
6	PE1740A	SCHEDA CONTROLLO PE1705 CT BT
7	VM1511A	BOCCOLA LISCIA PERNO PORTA CHEFFT
8	VM1170B	TAPPO FULCRO SUP. PORTA XVC204/30
9	TB1196A	COLONNINA SX PORTA XVC705 50X50X1
10	VM1171B	TAPPO FULCRO INF. PORTA XVC204/30
11	VM1510A	BOCCOLA SCANALATA PERNO PORTA XBC
12	CE1310A	CAVO COLLEGAMENTO POTENZA CONTROL
13	CE1285A	FERRITE EMI ROUND MOD. 2643801502
14	CE1290A	MORSETTO FEMMINA ESTRAIBILE CPF 5
15	VM1630A	TAPPO PREMI VETRO INTERNO
16	VM1591A	STAFFA SPINGIVETRO INTERNO XVC100
17	VM2031A	PREMIVETRO ESTERNO
18	VM2043A	SUPPORTO VETRO SUP - INF
19	VM1680A	CERNIERA APERTURA VETRO INTERNO
20	TB2325A	LISTELLO SUP. XVC305E/505E/705E 2
21	OH4310A	PROFILO INOX PARACALORE CRUSCOTTO
22	TB2326A	LISTELLO INF. XVC305E/505E/705E 2
23	VM1616A	PROFILO SALVAGOCIA 300/500/700
24	VM2015A	TUBO PER PROFILO RACCOGLI GOCCE D
25	VM2044A	TAPPO PER PROFILO RACCOGLI GOCCE
26	VM2014A	TUBO PER PROFILO RACCOGLI GOCCE S
27	CE1665A	CAVO ALIMENTAZIONE BARRA LED 1 MT
28	VM1175A	TAPPO ESTETICO COLONNINA PORTA
29	VM1620A	SUPPORTO INF BARRA LED
30	LP1003B	BARRA ILLUMINAZIONE LED L600
31	VE1030A	CALAMITA D=22,9MM PER MICROPORTA

32	VM2042A	ASSIEME CHIUSURA VETRO INTERNO LA
33	VM2042A	ASSIEME CHIUSURA VETRO INTERNO LA
34	VM1621A	SUPPORTO SUP BARRA LED
35	TB2316A	COLONNINA DX XVC705E 50X50X1.2
36	VM1490A	COPRI VITI MANIGLIA CHEFTOP BAKER
37	VM1180A	IMPUGNATURA MANIGLIA XVC204/304/5
40	TB2320A	TUBO UMIDITA' XVC305E/705E Ø16X1
41	TB2323A	TUBO UMIDITA' DX XVC705E Ø16X1
42	OG1492A	CARTER ARIA XVC705E
43	GN1391B	GN1000B-GUARNIZIONE PORTA XVC704-
44	OG1493A	DISTANZIALE CARTER XVC305E/705E
45	VN1030A	VENTOLA D196 H81 39 PALE DADO M8
46	RS1205A	RES. CIRCOLARE 5600W 230V D230 6
47	GN1085A	GUARNIZIONE RESISTENZA 141X24 G6.
48	RS1215A	RES. PIANA 147W 105V D230 1 SPIRA
49	GN1326A	GUARNIZIONE RESISTENZA 71X19 G6.2
50	TR1041A	SONDA AL CUORE STAMPATA L=2000
51	GRL1230A	SUPPORTO LATERALE DX INOX 10TG GN
52	VM1820A	NOTTOLINO M6 CROMATO FISS. SUPPOR
53	OH2551A	TAPPO PER TUBO DI SCARICO LIQUIDI
54	VE1135A	ATTUATORE VENTURI 220V 50/60 HZ S
55	RC1378A	FASCETTA STRINGI TUBO ZINCATA
56	TB1956A	TB1520A-TUBO NERO EPDM L=50
57	VM1955A	CORPO GIRANTE LAVAGGIO
58	TB1515A	TUBO EST. UMIDITA' + RC1165A0
59	RC1170A	DADO M14 H=8 CH=22 INOX
60	EL1361A	ELETTROVALVOLA TRI-STADIO JG D8-D
61	EL1020A	RACCORDO INTERMEDIO "T" TUBO Ø8
62	EL1055A	RIDUZIONE INTERMEDIA D10-D8
63	OH4305A	DISCO TENUTA ALBERO MOTORE INOX S
64	GN1140A	GUARNIZIONE PORTAMOTORE STAMP.

65	VN1130A	MOTORE FORNO 330W 230V 50/60HZ
66	PE1710A	SENSORE NUMERO GIRI MOTORE
67	OH3586A	LAMIERA PROTEZIONE MOTORE ZINCATO
68	OH4851A	STAFFA CABLAGGIO CT BT -
69	VM1610A	CLIP TWIST LOCK DIAM. 7,6-10,2 MM
70	RC1310A	FASCETTA RICHO 140X4 CON CLIP
71	GRL1231A	SUPPORTO LATERALE SX INOX 10TG GN
72	VM1465A	COPERCHIO SONDA TEMPERATURA CHEFT
73	GN1285A	GUARNIZIONE SONDA DI TEMPERATURA
74	TR1105A	SONDA TEMPERATURA PT100 L1000
80	OD2181A	FIANCO DX XVC705E
81	OD2180A	FIANCO SX XVC705E
82	OF1452A	SCHIENA XVC705E
83	OD2175A	COPERCHIO XVC305E/505E/705E
84	OE1318A	FONDO ESTERNO XVC305E/505E/705E
85	PD1063A	STAFFA BLOCCAGGIO PIEDE CT BT
86	PD1066B	PIEDE H100 PLASTICA BICOMPONENTE
87	VM1991A	CASSETTO RACCOGLI GOCCE 750
88	VM1220A	CLIP FISSAGGIO CASSETTO RACCOGLIG
89	GN1400A	GUARNIZIONE SIFONE
90	VM2039A	ANELLO FISSAGGIO CURVA DI SCARICO
91	VL1026A	CURVA PER TUBO DI SCARICO
92	OH1019A	LAMIERA RINFORZO PIEDI H100 CT
93	VM1160B	STAFFA INFERIORE PORTA CT BT
94	OH2560A	CONTROSTAFFA ZINCATA PORTA C.T.
95	VM2035A	SUPPORTO PER TUBO DI SCARICO
96	VM1505A	PASSAPARETE CON DIAFRAMMA
97	VM1461A	COPERCHIO SX SCROCCO PORTA XBC/XV
98	VM1191A	SCROCCO MANIGLIA SX CT BT
99	VM1192A	COPERCHIO SCROCCO MANIGLIA CT BT
100	VM1190A	SCROCCO MANIGLIA DX CT BT

101	VM1460A	COPERCHIO DX SCROCCO PORTA XBC/XV
102	PE1971A	ASSIEME RIARMO RJ45
103	VM1201A	PIASTRINA SUPPORTO MICROPORTA MAG
104	VE1020A	MICROINTERRUPTORE PORTA MAGNETICO
105	OH3790A	LAMIERA TENUTA CAMINO
106	GN1275A	GUARNIZIONE CAMINO SILICONE NERO
107	VN1120B	VENTOLA RAFFREDDAMENTO 12V CABLAT
108	VM1555A	SUPPORTO VENTOLA RAFFREDDAMENTO C
109	VM1556A	PROTEZIONE VENTOLA RAFFREDDAMENTO
110	TB2235A	ROCCETTO DETERGENTE TUBO Ø8
111	EL1020A	RACCORDO INTERMEDIO "T" TUBO Ø8
112	VL1038A	POMPA VIBRAZIONE
113	OH6413A	SUPPORTO IMPIANTO IDRICO
114	EL1195B	RACCORDO GOMITO D8F-D8M
115	EL1411A	ELETTROVALVOLA H2O CON CHECK VALV
116	GN1200A	GUARNIZIONE D=24 RACCORDO 3/4 GOM
117	RC1365A	RACCORDO JG FEMMINA 3/4"-10
118	VL1034A	FILTRO ACQUA Ø10 MESH100
119	TB2237A	TUBO Ø10 ALLACCIAMENTO RETE
120	EL1185B	RACCORDO GOMITO D8F-D8F
121	RC1360A	RACCORDO GOMITO JG 10-10
122	VL1043A	PORTAGOMMA D4-CODOLO D6
123	RC1373A	RACCORDO GOMITO Ø6F-Ø6F
124	VM2029A	RONDELLA GOMMA 20X8X4
125	VL1042A	RIDUTTORE PRESSIONE CON DISTRIBUT
126	VM2028A	RONDELLA GOMMA 20X10X4
127	VM1166A	COPERCHIO STAFFA SUPERIORE PORTA
128	VM1195A	PIASTRINA COPRIFORI XVC204/304/50
129	VM1165B	STAFFA SUPERIORE PORTA CT BT
130	OH1450A	ANGOLO FACCIATA MUFFOLA INOX XB-X
131	VM1008A	ANGOLARE INT. SUPPORTO GUARNIZION

132	VL1044A	KIT FILTRO E AFFONDANTE
150	OH6456A	PROFILO PORTA COMP XVC305E/505E/7
151	CE1355A	CAVO 5X2,5MMQ. H07RN-F L=1,5MT
152	VM1310A	SCATOLA COPRI MORSETTIERA XB/XV/X
153	MR1004A	MORSETT. 7FTW GV V0 VL CU 1+2+3/4
154	VM1075A	CLIP DI FISSAGGIO PER TELERUTTORI
155	VE1115A	MINICONTATTORE QUADRIPOLEARE 20 A
156	PE1725D	SCHEDA POTENZA FORNI CT-BT S5.E
157	VM1745A	SUPPORTO PER SCHEDA
158	VE1110A	CONDENSATORE 6,3 7F 450VAC 50/60
159	VM1750A	MORSETTIERA A PETTINE
160	VM1610A	CLIP TWIST LOCK DIAM. 7,6-10,2 MM
161	VM1605A	CLIP TWIST LOCK DIAM. 10,2-12,7 M
162	VE1075A	PRESSACAVO FV 268 RO-VITI FISSAGG

MOD:XVC705E



EN

Codes descriptions

1	VT1106B	XVC705 EXTERNAL GLASS 647X890X4
2	VT1105A	XVC704-5 INTERNAL GLASS 633X767X6
3	CR1085A	INTERNAL GLASS UPPER HINGE
4	GN1181A	CR1085-1086 INTERNAL GLASS HINGE
5	CR1086A	INTERNAL GLASS LOWER HINGE
6	PE1740A	CT BT CONTROL BOARD PE1705 + BOAR
7	VM1511A	XBC/XVC SLEEK DOOR PIN BUSHING
8	VM1170B	UPPER DOOR FULCRUM CAP
9	TB1196A	XVC705 ST. STEEL LEFT DOOR COLUMN
10	VM1171B	DOOR LOWER FULCRUM CAP
11	VM1510A	XBC/XVC GROOVED DOOR PIN BUSHING
12	CE1310A	POWER - CONTROL BOARD CONNECTING
13	CE1285A	EMI ROUND FERRITE MOD.2643801502
14	CE1290A	EXTRACTABLE FEMALE TERMINAL CPF 5
15	VM1630A	INTERNAL GLASS PUSHING CAP
16	VM1591A	GLASS BRACKET INT. XVC1004
17	VM2031A	EXTERNAL GLASS PUSHING PLATE
18	VM2043A	UPPER - LOWER GLASS SUPPORT
19	VM1680A	INTERNAL GLASS HINGE
20	TB2325A	XVC305E/505E/705E UPPER LISTEL 20
21	OH4310A	ST. STEEL HEAT-GUARD FOR CONTROL
22	TB2326A	XVC305E/505E/705E LOWER LISTEL 20
23	VM1616A	300/500/700 E SERIES DRIP PROFILE
24	VM2015A	RIGHT DRIPPING PIPE
25	VM2044A	DRIP PROFILE CAP
26	VM2014A	LEFT DRIP PROFILE PIPE
27	CE1665A	LED POWER SUPPLY 1 M CABLE
28	VM1175A	DOOR COLUMN BLANKING CAP
29	VM1620A	LED BAR LOWER SUPPORT
30	LP1003B	LED LIGHT BAR L600
31	VE1030A	MAGNET FOR DOOR MICROSWITCH D=22,

32	VM2042A	INTERNAL LATERAL GLASS LOCKING SY
33	VM2042A	INTERNAL LATERAL GLASS LOCKING SY
34	VM1621A	LED BAR UPPER SUPPORT
35	TB2316A	XVC705E DOOR RIGHT COLUMN 50X50X1
36	VM1490A	CHEFTOP/BAKERTOP HANDLE SCREWS CO
37	VM1180A	HANDLE HAFT XVC204/304/504/704
40	TB2320A	XVC305E/705E INTERNAL WATER PIPE
41	TB2323A	XVC705E INTERNAL RIGHT WATER PIPE
42	OG1492A	XVC705E FAN GUARD
43	GN1391B	GN1000B DOOR GASKET - XVC705 LENG
44	OG1493A	XVC305E/705E FAN GUARD SPACER
45	VN1030A	MOTOR FAN D196 H81 39 BLADE NUT M
46	RS1205A	5600W 230V D230 6 TURNS HEATING E
47	GN1085A	HEATING ELEMENT GASKET 141X24 G6.
48	RS1215A	147W 105V D230 1 TURN FLAT ELEMEN
49	GN1326A	ELEMENT SEALING
50	TR1041A	MOLDED CORE PROBE L=2000
51	GRL1230A	10 GN1/1 ST. STEEL RIGHT LATERAL
52	VM1820A	LATERAL SUPPORTS M6 FIXING BOLTS
53	OH2551A	XBC/XVC ST.STEEL DRAIN COVER
54	VE1135A	VENTURI ACTUATOR 220 V 50/60 HZ S
55	RC1378A	HOSE CLAMP
56	TB1956A	TB1520A - EPDM BLACK PIPE L=50
57	VM1955A	WASHING SYSTEM ROTOR
58	TB1515A	EXTERNAL WATER PIPE + FITTING RC1
59	RC1170A	STAINLESS STEEL NUT M14 H=8 CH=22
60	EL1361A	J.G. THREE-STAGE SOLENOID VALVE D
61	EL1020A	INTERMEDIATE "T" CONNECTION Ø8
62	EL1055A	INTERMEDIATE REDUCTION FROM D=10
63	OH4305A	ST. STEEL MOTOR SHAFT SEALING DIS
64	GN1140A	MOLDED MOTOR SUPPORT GASKET

65	VN1130A	330W 230V 50/60HZ MOTOR
66	PE1710A	MOTOR REVOLUTIONS SENSOR
67	OH3586A	ZINCATE MOTOR GUARD PLATE XBC-XVC
68	OH4851A	BT CT WIRING SUPPORT BRACKET
69	VM1610A	CLIP TWIST LOCK DIAM. 7,6-10,2 MM
70	RC1310A	140X4 CLAMP WITH CLIP
71	GRL1231A	10 GN1/1 ST. STEEL LEFT LATERAL S
72	VM1465A	CHEFTOP TEMPERATURE PROBE COVER
73	GN1285A	NTC TEMPERATURE PROBE SEALING
74	TR1105A	TEMPERATURE PROBE PT100 L1000
80	OD2181A	XVC705E EXTERNAL RIGHT SIDE PANEL
81	OD2180A	XVC705E EXTERNAL LEFT SIDE PANEL
82	OF1452A	XVC705E EXTERNAL BACK PANEL
83	OD2175A	XVC305E/505E/705E EXTERNAL COVER
84	OE1318A	XVC305E/505E/705E EXTERNAL BOTTOM
85	PD1063A	CT BT FOOT STOP BRACKET
86	PD1066B	BI-COMPONENT FOOT H100
87	VM1991A	DRIP TRAY
88	VM1220A	CLIP TO FIX DRIP TRAY C.T.
89	GN1400A	U-TRAP SEAL
90	VM2039A	DRAIN BEND FIXING RING
91	VL1026A	BEND FOR DRAIN PIPE
92	OH1019A	BRACKET FOR CHEFTOP H100 FEET
93	VM1160B	CT BT DOOR LOWER BRACKET
94	OH2560A	XBC/XVC ZINC PLAT. DOOR COUNTERBR
95	VM2035A	DRAIN PIPE SUPPORT
96	VM1505A	WALL PASSING WITH DIAPHRAGM
97	VM1461A	XBC/XVC LEFT DOOR LATCH CAP
98	VM1191A	CT BT LEFT DOOR SPRING LATCH
99	VM1192A	CT BT RIGHT DOOR SPRING LATCH COV
100	VM1190A	CT BT RIGHT DOOR SPRING LATCH

101	VM1460A	XBC/XVC RIGHT DOOR LATCH CAP
102	PE1971A	RU45 CONNECTION + RESET POINT
103	VM1201A	MAGNETIC SUPPORT PLATE FOR DOOR M
104	VE1020A	MAGNETIC DOOR MICROSWITCH
105	OH3790A	CHIMNEY HOLDING PLATE
106	GN1275A	XBC/XVC BLACK CHIMNEY SEALING
107	VN1120B	12V COOLING DOWN FAN
108	VM1555A	CT BT COOLING DOWN FAN SUPPORT
109	VM1556A	XBC-XVC COOLING FAN GUARD
110	TB2235A	Ø8 DETERGENT PIPE COIL
111	EL1020A	INTERMEDIATE "T" CONNECTION Ø8
112	VL1038A	VIBRATION PUMP
113	OH6413A	WATER SYSTEM SUPPORT
114	EL1195B	D8F-D8M ELBOW CONNECTION
115	EL1411A	SOLENOID VALVE WITH CHECK VALVE
116	GN1200A	3/4 CONNECTION SEAL D=24 RUBBER+N
117	RC1365A	3/4"-10 JG FEMALE CONNECTION
118	VL1034A	Ø10 MESH100 WATER FILTER
119	TB2237A	Ø10 WATER MAIN CONNECTION PIPE
120	EL1185B	D8F-D8F ELBOW FITTING
121	RC1360A	10 - 10 JG ELBOW FITTING
122	VL1043A	D4 PIPE HOLDER - D6 J.G. TERMINAL
123	RC1373A	Ø6F-Ø6F ELBOW FITTING
124	VM2029A	RUBBER WASHER 20X8X4
125	VL1042A	PRESSURE REDUCER WITH DISTRIBUTOR
126	VM2028A	RUBBER WASHER 20X10X4
127	VM1166A	CAP FOR DOOR UPPER STIRRUP XVC204
128	VM1195A	HOLES BLANKING PLATE XVC204/304/5
129	VM1165B	CT BT DOOR UPPER BRACHET
130	OH1450A	XB-XV-XG ST. STEEL MUFFLE FRONT C
131	VM1008A	GASKET SUPPORT INTERNAL CORNER

132	VL1044A	HOLD DOWN WEIGHT WITH FILTER
150	OH6456A	XVC305E/505E/705E COMPONENTS HOLD
151	CE1355A	CABLE 5 X 2,5 MMQ H07RNF L = 1,5
152	VM1310A	COVER FOR TERMINAL BOX XB/XV/XVC/
153	MR1004A	TERMINAL 7FTW GV VO VL CU 1+2+3/4
154	VM1075A	PLASTIC CLIP TO FIX CONTACTORS
155	VE1115A	MINI CONTACTOR WITH 4 POLES 20 A 2
156	PE1725D	E SERIES CHEFTOP-BAKERTOP POWER C
157	VM1745A	BOARD SUPPORT
158	VE1110A	CONDENSER 6,3 7F 450VAC 50/60HZ
159	VM1750A	TERMINAL BOARD
160	VM1610A	CLIP TWIST LOCK DIAM. 7,6-10,2 MM
161	VM1605A	CLIP TWIST LOCK DIAM. 10,2-12,7 M
162	VE1075A	WIRE CLAMP FV 268 RO + FIXING SCR