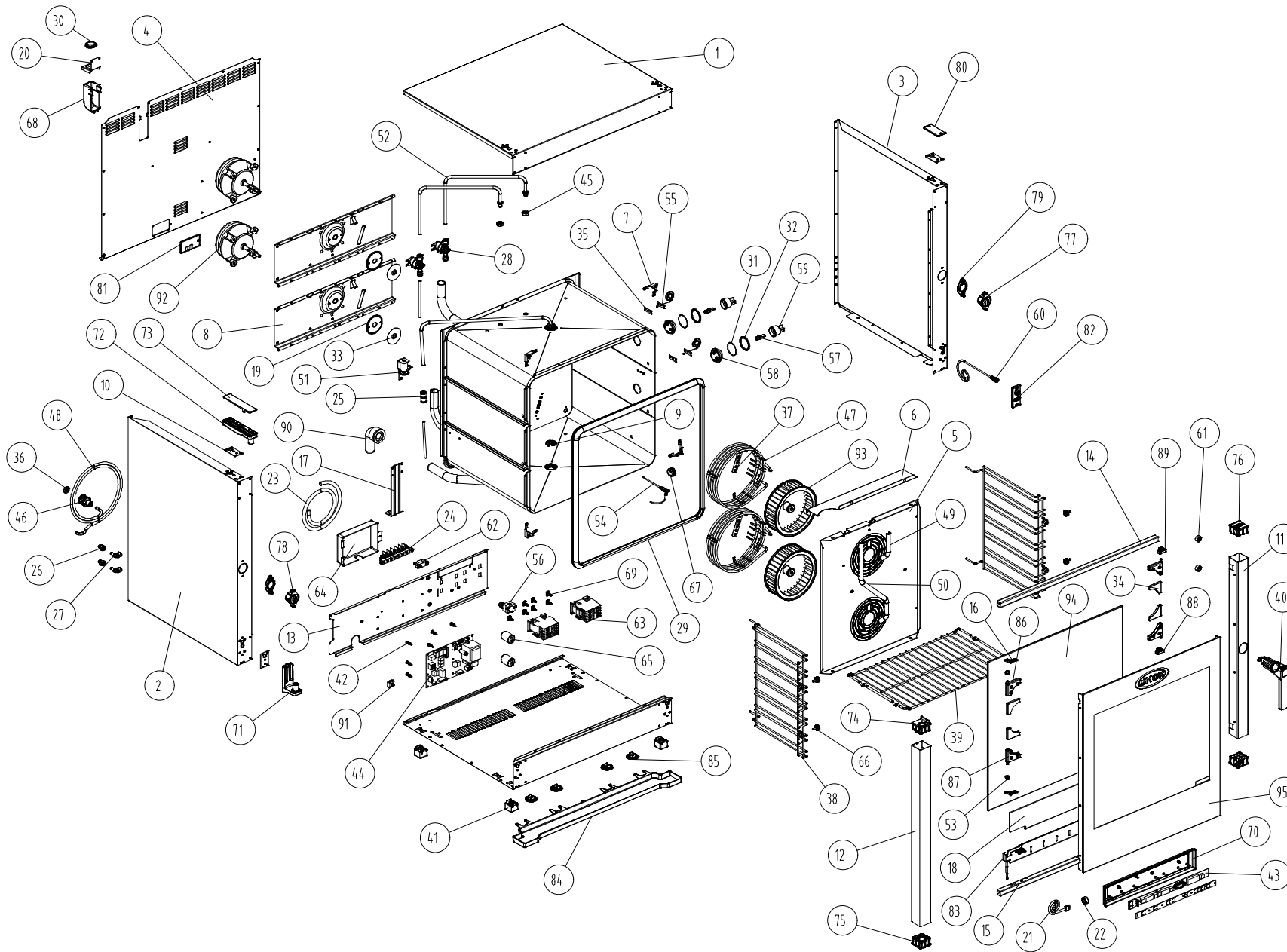


MOD: XVC504

EXPLODED VIEW DISEGNO ESPLOSO



LEGEND - LEGENDA

1	OD1445AO	56	TR255B
2	OD1455B0	57	VE1005A1
3	OD1456B0	58	VE1010A1
4	OF1165AO	59	VE1015A1
5	OG1175AO	60	VE1020AO
6	OG1190AO	61	VE1030A1
7	OH1450AO	62	VE1075AO
8	OH2005A2	63	VE1095AO
9	OH2550AO	64	VE1100AO
10	OH2560AO	65	VE221
11	OH2570AO	66	VII035A1
12	OH2571AO	67	VII151A1
13	OH2595AO	68	VM1065AO
14	OH2611A1	69	VM1075A1
15	OH2612A1	70	VM1160AO
16	OH2650AO	71	VM1165AO
17	OH2730AO	72	VM1166AO
18	OH2735A1	73	VM1170AO
19	OH3020AO	74	VM1170AO
20	OH3040AO	75	VM1171AO
21	CE1310AO	76	VM1175AO
22	CE1285AO	77	VM1190A1
23	CE1355AO	78	VM1191A1
24	CE212	79	VM1192AO
25	EL1055AO	80	VM1195AO
26	EL1185AO	81	VM1196AO
27	EL1195AO	82	VM1201AO
28	EL1250AO	83	VM1206B0
29	GN1000B0	84	VM1216B0
30	GN1045AO	85	VM1220AO
31	GN1055AO	86	VM1230AO
32	GN1065A1	87	VM1231AO
33	GN1140AO	88	VM1235AO
34	GN1180AO	89	VM1236AO
35	GN1190AO	90	VM1260AO
36	GN1200AO	91	VM250
37	GN224	92	VNI1000B0
38	GRL1065A1	93	VNI1025A2
39	GRP805	94	VTI100AO
40	VM1180AO	95	VTI101A1
41	PD1001AO		
42	PE102		
43	PE1610AO		
44	PE1365C0		
45	RC1170A1		
46	RC1210AO		
47	RS1150AO		
48	TB008		
49	TB1050AO		
50	TB1055AO		
51	VE1135AO		
52	TB1515AO		
53	TF1010AO		
54	TR1041A1		
55	TR1045AO		

MOD: XVC504

EXPLODED VIEW DISEGNO ESPLOSO



DESCRIZIONE CODICI

DESCRIPTION

1	OD1445A0	COPERCHIO INOX XVC304/504/704
2	OD1455B0	FIANCO SX INOX XVC504
3	OD1456B0	FIANCO DX INOX XVC504
4	OF1165A0	SCHIENA INOX XVC504
5	OG1175A0	CARTER ARIA INOX XVC504
6	OG1190A0	DIVISORIO CARTER ARIA INOX XVC304/504/704
7	OH1450A0	ANGOLO FACCIATA MUFFOLA INOX XB-XV-XG L.M.
8	OH2005A2	PROFILO SOSTEGNO MOTORE XB603/803
9	OH2550A0	TAPPO PER TUBO DI SCARICO INOX C.T.
10	OH2560A0	CONTROSTAFFA ZINCATA PORTA C.T.
11	OH2570A0	COLONNINA LATERALE DX INOX PORTA XVC504
12	OH2571A0	COLONNINA LATERALE SX INOX PORTA XVC504
13	OH2595A0	PROFILO PORTA COMPONENTI INOX XVC304/504/704
14	OH2611A1	LISTELLO QUADRO SUP PORTA INOX XVC304/504/704
15	OH2612A1	LISTELLO QUADRO INF PORTA INOX XVC304/504/704
16	OH2650A0	CERNIERA INOX VETRO INTERNO XVC204/304/504/704
17	OH2730A0	STAFFA ZINCATA SOSTEGNO MUFFOLA XVC204/304/504/704
18	OH2735A1	PROFILO INOX PARACALORE CRUSCOTTO XVC304/504/704
19	OH3020A0	DISCO TENUTA ALBERO MOTORE INOX
20	OH3040A0	PROFILO COPRICAMMINO INOX C.T.
21	CE1310A0	CAVO COLLEGAMENTO POTENZA CONTROLLO L=3,5 MT
22	CE1285A0	FERRITE EMI ROUND MOD. 2643801502
23	CE1355A0	CAVO 5 X 2,5 MMQ H07RNF L = 1,5 MT
24	CE212	MORSETT. SFK/7FTW GV V0 00160593
25	EL1055A0	RIDUZIONE J.G. DA D=10 A D=8 PM201008E
26	EL1185A0	RACCORDO A GOMITO J.GUEST Ø8 - Ø8
27	EL1195A0	RACCORDO A GOMITO CON J.GUEST CODOLO D8 - D8
28	EL1250A0	ELETTROVALVOILA H20 1 VIA RID. ROSSO JG IN Ø8-OUT Ø10 240
29	GN1000B0	GUARNIZIONE NERA 50 SHORE FORNI XB-XG-XV
30	GN1045A0	GUARN.LANTIBR. CAMMINO-SCARICO ø131-øe39,9-Sp=7,5
31	GN1055A0	OR 46x2 VMQ 70 ROSSO
32	GN1065A1	GUARNIZIONE PORTALAMPADA DE=53.2 DI=44.2 SP=3.2 PTFE P
33	GN1140A0	GUARNIZIONE PORTAMOTORE STAMP. ALBERO MOT. D10 XB-XV
34	GN1180A0	GUARNIZIONE CERNIERE VETRO INT. CARBOGRAFITE XVC204/30
35	GN1190A0	GUARNIZIONE SONDA DI TEMPERATURA C.T.
36	GN1200A0	GUARNIZIONE D=24 RACCORDO 3/4 GOMMA+RETE
37	GN224	GUARN.PTFE+CARB 100x22x0,8sp-c/fori 1999
38	GRL1065A1	GRIGLIA LATERALE DX/SX INOX 7 TG GN1/1 XVC504
39	GRP805	GRIGLIA GN1/1 PIANA INOX BRILLANTATA
40	VM1180A0	IMPUGNATURA MANIGLIA XVC204/304/504/704
41	PD1001A0	PIEDINO 35X35 H26 PLASTICA+GOMMA GRIGIO
42	PE102	SUPPORTO PER SCHEDE 24POT98
43	PE1610A0	ASSIEME SCHEDE CONTR. PE1355D0 + COPERCHIO CRUSCOTTO
44	PE1365C0	SCHEDE POTENZA C.T. SERIE 1 230V 50/60HZ
45	RC1170A1	DADO M14 H=8 CH=22 INOX
46	RC1210A0	RACCORDO 3/4 FEMM. - J. GUEST Ø8 CON FILTRO E VNR
47	RS1150A0	RESISTENZA CIRC. D=230 5 SPIRE INCOLOY H78 2900 + 2000 W
48	TB008	TUBO PE 7,93x4,75 TRASPARENTE
49	TB1050A0	TUBO INTERNO UMIDITA D=16 SP=1 INOX XVC504
50	TB1055A0	TUBO INTERNO UMIDITA DX D=16 SP=1 INOX XVC504
51	VE1135A0	ATTUATORE VENTURI 220V 50/60 HZ SERIE 2
52	TB1515A0	TUBO ESTERNO UMIDITA + RACCORDO INOX SALDATO
53	TF1010A0	BOCCOLA TEFLOON CERNIERA VETRO INT. XVC204/304/504/704
54	TR1041A1	SONDA AL CUORE STAMPATA L=1750
55	TR1045A0	SONDA TEMPERATURA NTC 150

56	TR255B	TERMOSTATO SIC.+UNIPOL 330°C Ty95H L=1300mm
57	VE1005A1	LAMPADA ALOGENA 40W 230V
58	VE1010A1	VETRO COPRILAMPADA TEMPERATO ANTISHOCK
59	VE1015A1	PORTA LAMPADA SERIE 2 PER LAMPADA ALOGENA
60	VE1020A0	MICROINTERRUTTORE PORTA MAGNETICO
61	VE1030A1	CALAMITA D=22,9mm PER MICROPORTA
62	VE1075A0	PRESSACAVO FV 268 RO
63	VE1095A0	TELERUTTORE GE 25A 230V 50/60 Hz CL01A400T6
64	VE1100A0	SCATOLA COPRI MORSETTIERA NYLON XBT/XVT
65	VE221	CONDENS.ICAR PRL 5uF 450V FASTON
66	VII035A1	NOTTOINO M6x12,5 CON TAGLIO OTT.CROM.FERMA GRIGLIE X
67	VII151A1	SUPPORTO SONDA AL CUORE CON CAVA PER FILO INOX
68	VM1065A0	CUFFIA COPRI CAMMINO FUMI L.M.
69	VM1075A1	CLIP DI FISSAGGIO PER TELERUTTORI
71	VM1160A0	STAFFA INFERIORE PORTA XVC204/304/504/704
72	VM1165A0	STAFFA SUPERIORE PORTA XVC204/304/504/704
73	VM1166A0	COPERCHIO STAFFA SUPERIORE PORTA XVC204/304/504/704
74	VM1170A0	PIASTRINA PASSAGGIO CAVI ACCESSORI C.T.
75	VM1171A0	TAPPO FULCRO INFERIORE PORTA XVC204/304/504/704
76	VM1175A0	TAPPO ESTETICO COLONNINA PORTA XVC204/304/504/704
77	VM1190A1	SCROCCO MANIGLIA DX XVC204/304/504/704
78	VM1191A1	SCROCCO MANIGLIA SX XVC204/304/504/704
79	VM1192A0	COPERCHIO SCROCCO MANIGLIA XVC204/304/504/704
80	VM1195A0	PIASTRINA COPRIFORI XVC204/304/504/704
81	VM1196A0	PIASTRINA PASSAGGIO CAVI ACCESSORI C.T.
82	VM1201A0	PIASTRINA SUPPORTO MICROPORTA MAGNETICO
83	VM1206B0	PROFILO SALVAGOCCIA PORTA XVC304/504/704
84	VM1216B0	CASSETTO RACCOGLIGOCCE XVC104/304/504/704
85	VM1220A0	CLIP FISSAGGIO CASSETTO RACCOGLIGOCCE C.T.
86	VM1230A0	CERNIERA SUP. ALLUMINIO VETRO INT. XVC204/304/504/704
87	VM1231A0	CERNIERA INF. ALLUMINIO VETRO INT. XVC204/304/504/704
88	VM1235A0	FERMA VETRO INTERNO SUP. XVC204/304/504/704
89	VM1236A0	FERMA VETRO INTERNO INF. XVC204/304/504/704
90	VM1260A0	CURVA A 90° RACCORDO SCARICO
91	VM250	MORSETT.A.PETTINE
92	VNI000B0	MOTORE COND.5uF 200W ALB.M8 CONN.5 POLI
93	VNI025A2	VENTOLA D=196 H=61 38 PALE INOX DADO M8
94	VTI100A0	VETRO INTERNO 633X620X6 BETFL XVC504
95	VTI101A1	VETRO ESTERNO SER. 647X743X4 CTL XVC504

1	OD1445A0	STAINLESS STEEL COVER XVC304/504/704
2	OD1455B0	STAINLESS STEEL LEFT SIDE PANEL XVC504
3	OD1456B0	STAINLESS STEEL RIGHT SIDE PANEL XVC504
4	OF1165A0	STAINLESS STEEL BACK PANEL XVC504
5	OG1175A0	STAINLESS STEEL FAN GUARD XVC504
6	OG1190A0	STAINLESS STEEL FAN GUARD PARTITION XVC304/504/704
7	OH1450A0	STAINLESS STEEL MUFFLE FRONT FACE ANGLE XB-XV-XG-L.M.
8	OH2005A2	MOTOR SUPPORT PROFILE XB603/803
9	OH2550A0	STAINLESS STEEL COVER FOR DRAIN PIPE CHEFTOP
10	OH2560A0	ZINC PLATED DOOR COUNTERSTIRRUP C.T.
11	OH2570A0	STAINLESS STEEL RIGHT DOOR COLUMN XVC504
12	OH2571A0	STAINLESS STEEL LEFT DOOR COLUMN XVC504
13	OH2595A0	STAINLESS STEEL COMPONENTS HOLDER PLATE XVC304/504/70
14	OH2611A1	STAINLESS STEEL DOOR LOWER SQUARE LISTEL XVC304/504/704
15	OH2612A1	STAINLESS STEEL DOOR LOWER SQUARE LISTEL XVC304/504/704
16	OH2650A0	STAINLESS STEEL INTERNAL GLASS HINGE XVC204/304/504/704
17	OH2730A0	ZINC PLATED MUFFLE SUPPORT BRACKET XVC204/304/504/704
18	OH2735A1	STAINLESS STEEL HEAT-GUARD FOR PANEL XVC304/504/704
19	OH3020A0	STAINLESS STEEL SEALING DISC FOR MOTOR
20	OH3040A0	STAINLESS STEEL PLATE FOR CHIMNEY PROTECTION C.T.
21	CE1310A0	CONNECTION CABLE POWER - CONTROL BOARD L=3,5 MT
22	CE1285A0	EMI ROUND FERRITE MOD.2643801502
23	CE1355A0	CABLE 5 X 2,5 MMQ H07RNF L = 1,5 MT
24	CE212	TERMINAL BOARD SFK/7FTW GV V0 00160593
25	EL1055A0	J.G. REDUCTION FROM D=10 TO D=8 PM201008E
26	EL1185A0	ELBOW CONNECTION J. GUEST Ø8 - Ø8
27	EL1195A0	ELBOW UNION WITH J.GUEST TERMINAL D8 - D8
28	EL1250A0	WATER SOLENOID VALVE 1-WAY RED REDUCER JG INØ8-OUTØ10
29	GN1000B0	BLACK DOOR SEAL 50 SHORE OVENS XB-XG-XV
30	GN1045A0	ANTIVIBR.SEA FOR EXHAUST CHIMNEY ø131-øe39,9-Sp=7,5
31	GN1055A0	OR 46x2 VMQ 70 RED
32	GN1065A1	SEAL FOR LAMP GLASS COVER (PURE PTFE) DE=53.2 DI=44.2 TH=
33	GN1140A0	MOTOR GASKET
34	GN1180A0	INTERNAL GLASS HINGE CARBOGRAPHITE GASKET XVC204/304/
35	GN1190A0	CHEFTOP TEMPERATURE PROBE SEAL
36	GN1200A0	SEAL D=24 CONNECTION 3/4 RUBBER+NET
37	GN224	PTFE+CARB 100x22x0,8sp-w/holes 1999 GASKET
38	GRL1065A1	RIGHT/LEFT STAINLESS STEEL GN 1/1 7 TRAYS LATERAL GRID XVC5
39	GRP805	GRID GN1/1 FLAT STAINLESS STEEL POLISHED
40	VM1180A0	HANDLE HAFT XVC204/304/504/704
41	PD1001A0	FOOT 35X35 H26 GREY PLASTIC+RUBBER
42	PE102	SUPPORT FOR CARD 24POT98
43	PE1610A0	CONTROL BOARD PE1355 + BOARD COVER C.T. B.T.
44	PE1365C0	POWER CARD C.T. SERIE 1 230V 50/60 HZ
45	RC1170A1	STAINLESS STEEL NUT M14 H=8 CH=22
46	RC1210A0	3/4 FEMALE CONNECTION - J. GUEST Ø8 WITH FILTER AND VNR
47	RS1150A0	CIRC.HEAT. ELEMENT D=230 5 TURNS INCOLOY H78 2900+2000
48	TB008	TRANSPARENT TUBE PE 7,93x4,75
49	TB1050A0	STAINLESS STEEL INNER WATER TUBE D=16 TH=1 XVC504
50	TB1055A0	STAINLESS STEEL INNER RIGHT WATER TUBE D=16 TH=1 XVC504
51	VE1135A0	VENTURI ACTUATOR 220 V 50/60 HZ SERIES 2
52	TB1515A0	STAINLESS STEEL EXTERNAL WATER TUBE + WELDED CONNECTION
53	TF1010A0	TEFLON BUSHING FOR INTERNAL GLASS HINGE XVC204/304/50
54	TR1041A1	MOLDED CORE PROBE L=1750
55	TR1045A0	TEMPERATURE PROBE NTC 150