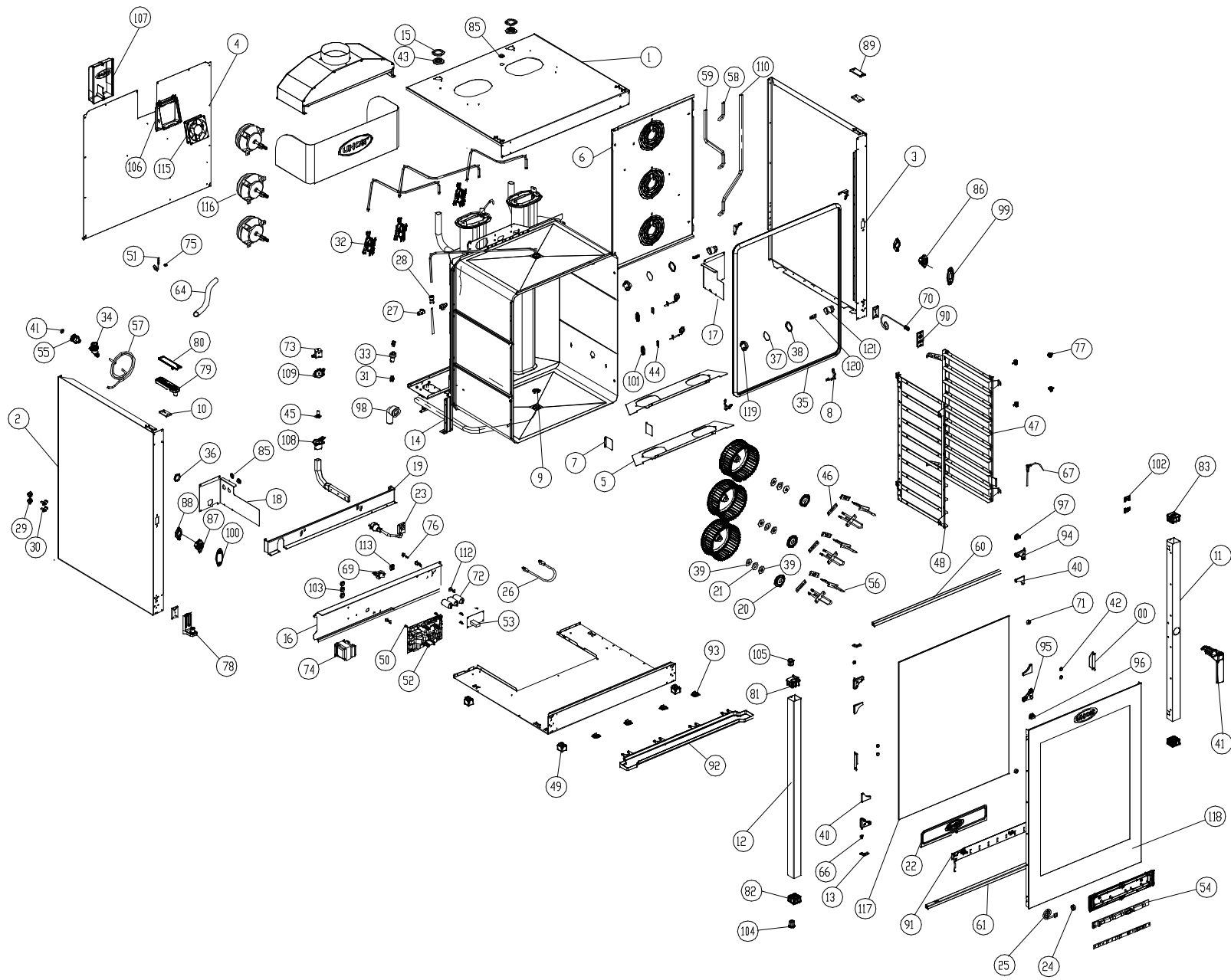


MOD: XBC815G

EXPLODED VIEW DISEGNO ESPLOSO

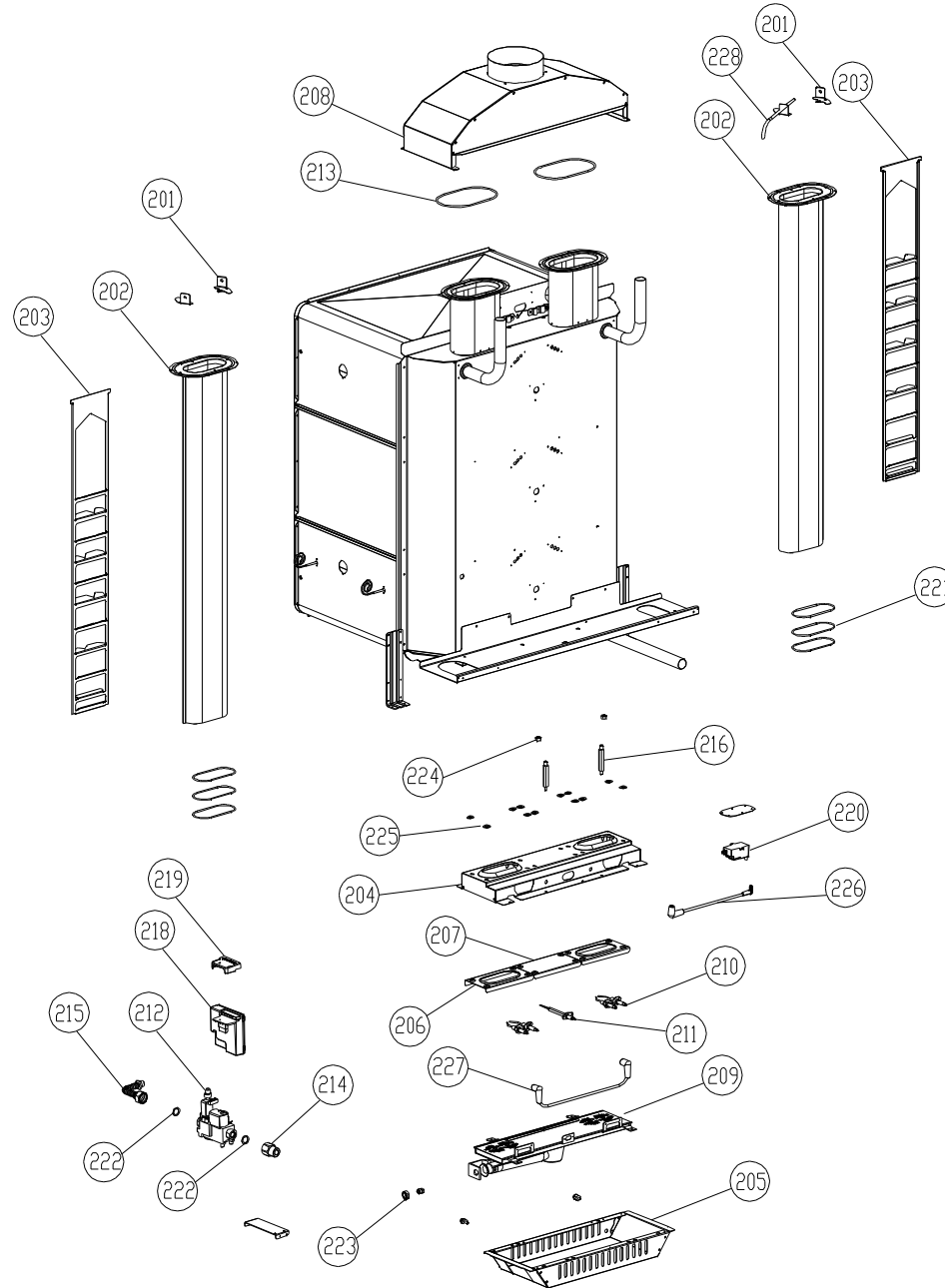


LEGEND - LEGENDA

1	OD1800A0	56	RS1215A0
2	OD1810A0	57	TB008
4	OE1225A0	58	TB1170A0
4	OF1280A0	59	TB1171A0
5	OG1330A0	59	TF1010A0
6	OG1335A0	60	TB1225A0
7	OG1341A0	61	TB1226A0
8	OH1450A0	64	TB1690A0
9	OH2550A0	67	TR1041A2
10	OH2560A0	68	TR1105A0
11	TB1085B0	69	TR255B
12	TB1086B0	70	VE1020A1
13	OH2650A0	71	VE1030A1
14	OH2730A1	72	VE1110A0
15	OH3790A0	72	VII335A0
16	OH4050A0	73	VE1135A0
17	OH4060A0	74	VE1360A0
18	OH4065A0	74	VM1065A0
19	OH4070A0	75	VM1635A0
20	OH4305A0	76	VE311
21	OH4306A0	77	VII035A1
22	OH4310A0	78	VM1160A1
23	CE116A1	79	VM1165A1
24	CE1285A0	80	VM1166A0
25	CE1310A1	81	VM1170B0
26	CE1400A0	82	VM1171B0
27	EL1020A0	83	VM1175A0
28	EL1055A0	84	VM1180A0
29	EL1185A0	86	VM1190A1
30	EL1195A0	87	VM1191A1
31	EL1210A0	88	VM1192A0
32	EL1360A0	89	VM1195A0
33	EL1370A0	90	VM1201A1
34	EL1375A0	91	VM1207A0
35	GN1000B0	92	VM1217A0
36	GN1045A0	93	VM1220A0
37	GN1055A0	94	VM1230A0
38	GN1065A1	95	VM1231A0
39	GN1140A1	96	VM1235A0
40	GN1180A0	97	VM1236A0
41	GN1200A0	98	VM1260A0
42	GN1205A0	99	VM1460A0
43	GN1275A0	100	VM1461A0
44	GN1285A0	101	VM1465A0
45	GN1310A0	102	VM1490A0
46	GN223	103	VM1505A0
47	GRL1142A0	104	VM1510A0
48	GRL1143A0	105	VM1511A0
49	PD1001A0	106	VM1555A0
50	PE102	107	VM1556A0
51	PE1710A0	109	VM1565A0
52	PE1725A0	110	TB1172A0
53	PE1730B0	112	VM1605A0
54	PE1740A0	113	VM250
55	RC1210A1	114	VNI030A3

MOD: XBC815G

EXPLODED VIEW DISEGNO ESPLOSO



LEGEND LEGENDA

201	ON1135A1
202	ON1230A0
203	ON1235A0
204	ON1310A0
205	ON1185A0
206	ON1190A0
207	ON1195A0
208	ON1205A0
209	BR1305A0
210	BR1310A0
211	BR1230A0
212	EL1400A0
213	LV1085A0
214	RC1045A1
215	RC1325A0
216	TF1050A0
217	TF1045A0
218	VE1055A1
219	VE1060A0
220	VE1500A0
221	GR1070A0
222	VII130A0
223	VII140A0
224	VII255A0
225	VII560A0
226	CE1590A0
227	CE1595A0
228	TR1110A0

MOD: XBC815G

EXPLODED VIEW DISEGNO ESPLOSO



DESCRIZIONE CODICI

1	OD1800A0	COPERCHIO INOX XBC614G/814G
2	OD1810A0	FIANCO SX INOX XBC814G
4	OE1225A0	FONDO ESTERNO INOX XBC614G/814G
4	OF1280A0	SCHIENA INOX XBC814G
5	OG1330A0	DISTANZIALE CARTER INOX XBC GAS
6	OG1335A0	CARTER ARIA INOX XBC814G
7	OG1341A0	DEFLETTORE INOX XBC
8	OH1450A0	ANGOLO FACCIATA MUFFOLA INOX XB-XV-XG
9	OH2550A0	TAPPO PER TUBO DI SCARICO INOX C.T.
10	OH2560A0	CONTROSTAFFA ZINCATA PORTA C.T.
11	TB1085B0	COLONNINA LATERALE DX INOX PORTA XBC804
12	TB1086B0	COLONNINA LATERALE SX INOX PORTA XBC804
13	OH2650A0	CERNIERA INOX VETRO INTERNO XVC204/304/
14	OH2730A1	STAFFA ZINCATA SOSTEGNO MUFFOLA
15	OH3790A0	LAMIERA TENUTA CAMINO
16	OH4050A0	PROFILO PORTA COMPONENTI INOX XBC/614G/8
17	OH4060A0	LAMIERA COPERTURA ELETT. GAS INOX XBC614
18	OH4065A0	LAMIERA COPERTURA ACCENDITORE INOX XBC61
19	OH4070A0	LAMIERA SOSTEGNO INF. BRUCIATORE INOX XB
20	OH4305A0	DISCO TENUTA ALBERO MOTORE INOX STP
21	OH4306A0	RONDELLA INOX GUARNIZIONE PORTAMOTORI ST
22	OH4310A0	PROFILO INOX PARACALORE CRUSCOTTO STP
23	CE116A1	CAVO 3X1,5 H07RN-F MTI, 5+K2/3+SCHUKO
24	CE1285A0	FERRITE EMI ROUND MOD. 2643801502
25	CE1310A1	CAVO COLLEGAMENTO POTENZA CONTROLLO
26	CE1400A0	CAVO RJ45 - RJ45 L=0,5MT
27	EL1020A0	RACCORDO INTERMEDIO "T" TUBO ø8
28	EL1055A0	RIDUZIONE J.G. DA D=10 A D=8 PM201008E
29	EL1185A0	RACCORDO A GOMITO J.GUEST Ø8 - Ø8
30	EL1195A0	RACCORDO A GOMITO CON J.GUEST
31	EL1210A0	RACCORDO J.GUEST TERMINALE DIRITTO
32	EL1360A0	ELETTROVALVOLA H2O TRI-STADIO
33	EL1370A0	RIDUTTORE PRESSIONE 2 BAR CUBEAIR
34	EL1375A0	FILTRO ACQUA Ø8 MESH100
35	GN1000B0	GUARNIZIONE NERA 50 SHORE FORNI XB-XG-XV
36	GN1045A0	GUARN. ANTIVIBR. CAMINO - SCARICO
37	GN1055A0	OR 46x2 VMQ 70 ROSSO
38	GN1065A1	GUARNIZIONE PORTALAMPADA DE=53.2
39	GN1140A1	GUARNIZIONE PORTAMOTORE STAMP.
40	GN1180A0	GUARNIZIONE CERNIERE VETRO INT.
41	GN1200A0	GUARNIZIONE D=24 RACCORDO 3/4 GOMMA+RETE
42	GN1205A0	GUARNIZIONE PREMI VETRO CARBOGRAFITE
43	GN1275A0	GUARNIZIONE CAMINO SILICONE NERO XVC
44	GN1285A0	GUARNIZIONE SONDA DI TEMPERATURA NTC
45	GN1310A0	GUARNIZIONE PIATTELO VENTURI SILICONE
46	GN223	GUARN. PTFE+CARB 70x22x0,8sp.-c/fori 1999
47	GRL1142A0	GRIGLIA LAT DX INOX 10X60X400 XBC815G
48	GRL1143A0	GRIGLIA LAT SX INOX 10X60X400 XBC815G
49	PD1001A0	PIEDINO 35X35 H26 PLASTICA+GOMMA GRIGIO
50	PE102	SUPPORTO PER SCHEDA 24POT98
51	PE1710A0	SENSORE NUMERO GIRI MOTORE
52	PE1725A0	SCHEDA POTENZA FORNI C.T. B.T. SERIE 2
53	PE1730B0	SCHEDA GESTIONE CENTRALINA GAS
54	PE1740A0	ASSIEME SCHEDA CONTROLLO PE1705
55	RC1210A1	RACCORDO 3/4 VALVOLA DI NON RITORNO

56	RS1215A0	RESISTENZA 1 SPIRA 147 W 105 V
57	TB008	TUBO PE 7,93x4,75 TRASPARENTE
58	TB1170A0	TUBO INTERNO UMIDITA D=16 SP=1
59	TB1171A0	TUBO INTERNO UMIDITA SX D=16 SP=1
59	TF1010A0	BOCCOLA TEFLON CERNIERA VETRO
60	TB1225A0	LISTELLO SUP INOX PORTA XBC405/605/805
61	TB1226A0	LISTELLO INF INOX PORTA XBC405/605/805
64	TB1690A0	TUBO D-INT=15 SP=2 SILICONE
67	TR1041A2	SONDA AL CUORE STAMPATA L=2000
68	TR1105A0	SONDA TEMPERATURA PT100 L=1000
69	TR255B	TERMOSTATO SIC.+UNIPOL.330°C Ty95H
70	VE1020A1	MICROINTERRUTTORE PORTA MAGNETICO
71	VE1030A1	CALAMITA D=22,9mm PER MICROPORTA
72	VE1110A0	CONDENSATORE 6,3 µF 450VAC 50/60Hz
72	VII335A0	DISTANZIALE VENTOLE INOX
73	VE1135A0	ATTUATORE VENTURI 220V 50/60 Hz SERIE 2
74	VE1360A0	TRASFORMATORE 230V - 12V 60VA
74	VM1065A0	CUFFIA COPRI CAMINO FUMI L.M.
75	VM1635A0	DISCO SUPPORTO MAGNETE
76	VE311	FUSIBILE 5x20 1,6A RAPIDO XG410/310
77	VI1035A1	NOTTOLOINO M6x12,5 CON TAGLIO OTT.CROM.FE
78	VM1160A1	STAFFA INF. PORTA XVC204/304/504/704
79	VM1165A1	STAFFA SUP. PORTA XVC204/304/504/704
80	VM1166A0	COPERCHIO STAFFA SUPERIORE PORTA
81	VM1170B0	TAPPO FULCRUM SUP. PORTA XVC204/304/504/7
82	VM1171B0	TAPPO FULCRUM INF. PORTA XVC204/304/504/7
83	VM1175A0	TAPPO ESTETICO COLONNINA PORTA
84	VM1180A0	IMPUGNATURA MANIGLIA XVC204/304/504/704
86	VM1190A1	SCROCCO MANIGLIA DX XVC204/304/504/704
87	VM1191A1	SCROCCO MANIGLIA SX XVC204/304/504/704
88	VM1192A0	COPERCHIO SCROCCO MANIGLIA XVC204/304/5
89	VM1195A0	PIASTRINA COPRIFORI XVC204/304/504/704
90	VM1201A1	PIASTRINA SUPPORTO MICROPORTA MAGNETICO
91	VM1207A0	PROFILO SALVAGOCIA PORTA XBC404/604/804
92	VM1217A0	CASSETTO RACCOGLILOCCE XBC404/604/804
93	VM1220A0	CLIP FISSAGGIO CASSETTO RACCOGLILOCCE
94	VM1230A0	CERNIERA SUP. ALLUMINIO VETRO
95	VM1231A0	CERNIERA INF. ALLUMINIO VETRO
96	VM1235A0	FERMA VETRO INTERNO SUP. XVC204/304/504
97	VM1236A0	FERMA VETRO INTERNO INF. XVC204/304/504
98	VM1260A0	CURVA A 90° RACCORDO SCARICO
99	VM1460A0	COPERCHIO DX SCROCCO PORTA XBC/XVC
100	VM1461A0	COPERCHIO SX SCROCCO PORTA XBC/XVC
101	VM1465A0	COPERCHIO SONDA TEMPERATURA CHEFTOP
102	VM1490A0	COPRI VITI MANIGLIA CHEFTOP BAKERTOP
103	VM1505A0	PASSAPARETE CON DIAFRAMMA
104	VM1510A0	BOCCOLA SCANALATA PERNO PORTA XBC/XVC
105	VM1511A0	BOCCOLA LISCIA PERNO PORTA CHEFTOP
106	VM1555A0	SUPPORTO VENTOLA RAFFREDDAMENTO CT-BT
107	VM1556A0	PROTEZIONE VENTOLA RAFFREDDAMENTO CT-BT
109	VM1565A0	PORTA BOBINA INFERIORE VENTURI
110	TB1172A0	TUBO INTERNO UMIDITA DX D=16 SP=1
112	VM1605A0	CLIP TWIST LOCK DIAM. 10,2-12,7 MM
113	VM250	MORSETT. A PETTINE
114	VN1030A3	VENTOLA D=196 H=81 39 PALE INOX DADO M8

DESCRIPTION

1	OD1800A0	
2	OD1810A0	
4	OE1225A0	
4	OF1280A0	
5	OG1330A0	
6	OG1335A0	
7	OG1341A0	
8	OH1450A0	STAINLESS STEEL MUFFLE FRONT FACE
9	OH2550A0	STAINLESS STEEL COVER FOR DRAIN
10	OH2560A0	ZINC PLATED DOOR COUNTERSTIRRUP C.T.
11	TB1085B0	
12	TB1086B0	
13	OH2650A0	STAINLESS STEEL INTERNAL GLASS
14	OH2730A1	
15	OH3790A0	CHIMNEY HOLDING PLATE
16	OH4050A0	
17	OH4060A0	
18	OH4065A0	
19	OH4070A0	
20	OH4305A0	
21	OH4306A0	
22	OH4310A0	
23	CE116A1	EL CABLE 3x1,5 H07RN-F MTI, 5+K2/3+SCHUKO
24	CE1285A0	EMI ROUND FERRITE MOD.2643801502
25	CE1310A1	
26	CE1400A0	
27	EL1020A0	INTERMEDIATE "T" CONNECTION ø8
28	EL1055A0	STRAIGHT REDUCTION FROM D=10 TO
29	EL1185A0	ELBOW CONNECTION J. GUEST Ø8 - Ø8
30	EL1195A0	ELBOW UNION WITH J.GUEST TERMINAL
31	EL1210A0	J. GUEST STRAIGHT END CONNECTION
32	EL1360A0	
33	EL1370A0	DYNAMIC PRESSURE REDUCER 2 Bar
34	EL1375A0	STRAIGHT INTERMEDIATE CONNECTION
35	GN1000B0	BLACK DOOR SEAL 50 SHORE OVENS XB-XG-XV
36	GN1045A0	ANTIVIBR.SEAL FOR EXHAUST CHIMNEY
37	GN1055A0	OR 46x2 VMQ 70 RED
38	GN1065A1	SEAL FOR LAMP GLASS COVER (PURE
39	GN1140A1	MOLDED MOTOR SUPPORT GASKET
40	GN1180A0	INTERNAL GLASS HINGE CARBOGRAPHITE
41	GN1200A0	3/4 CONNECTION SEAL D=24 RUBBER+NET
42	GN1205A0	CARBON GRAPHITE GASKET FOR GLASS
43	GN1275A0	
44	GN1285A0	
45	GN1310A0	
46	GN223	GASKET PTFE+CARB 70x22x0,8sp.-w/holes
47	GRL1142A0	
48	GRL1143A0	
49	PD1001A0	FOOT 35X35 H26 GREY PLASTIC+RUBBER
50	PE102	SUPPORT FOR CARD 24POT98
51	PE1710A0	
52	PE1725A0	
53	PE1730B0	
54	PE1740A0	
55	RC1210A1	3/4 FEM. UNION+ FILTER + NONRETURN VALVE

56	RS1215A0	
57	TB008	TRANSPARENT TUBE PE 7,93x4,75
58	TB1170A0	
59	TB1171A0	
59	TF1010A0	TEFLON BUSHING FOR INTERNAL GLASS
60	TB1225A0	
61	TB1226A0	
64	TB1690A0	
67	TR1041A2	MOLDED CORE PROBE L=2000
68	TR1105A0	
69	TR255B	SAFETY THERMOSTAT+UNIPOL. 330°C
70	VE1020A1	
71	VE1030A1	MAGNET FOR DOOR MICROSWITCH D=22,9mm
72	VE1110A0	CONDENSER 6,3 µF 450VAC 50/60Hz
72	VII335A0	STAINLESS STEEL FANS SPACER
73	VE1135A0	VENTURI ACTUATOR 220 V 50/60 Hz SERIES 2
74	VE1360A0	
74	VM1065A0	PLASTIC COVER FOR FUMES CHIMNEY L.M.
75	VM1635A0	
76	VE311	FUSE 5x210 1,6A RAPIDO XG410
77	VII035A1	CHROMIUM PLATED BRASS NUT M6x12,5
78	VM1160A1	XVC204/304/504/704 LOWER DOOR BRACKET
79	VM1165A1	XVC204/304/504/704 UPPER DOOR BRACKET
80	VM1166A0	CAP FOR DOOR UPPER STIRRUP XVC204/304/5
81	VM1170B0	DOOR UPPER FULCRUM-CAP XVC204/304/504/70
82	VM1171B0	XVC204/304/504/70 DOOR LOWER FULCRUM-CAP
83	VM1175A0	DOOR COLUMN BLANKING CAP XVC204/304/504
84	VM1180A0	HANDLE HAFT XVC204/304/504/704
86	VM1190A1	RIGHT DOOR SPRING LATCH XVC204/304/504/
87	VM1191A1	LEFT DOOR SPRING LATCH XVC204/304/504/7
88	VM1192A0	DOOR SPRING LATCH CAP XVC204/304/504/704
89	VM1195A0	HOLES BLANKING PLATE XVC204/304/504/704
90	VM1201A1	
91	VM1207A0	DOOR DROP PRESERVER FORM XBC404/604/804
92	VM1217A0	DRIP TRAY XBC404/604/804
93	VM1220A0	CLIP TO FIX DRIP TRAY C.T.
94	VM1230A0	UPPER ALUMINIUM HINGE FOR INTERNAL
95	VM1231A0	LOWER ALUMINIUM HINGE FOR INTERNAL
96	VM1235A0	UPPER HOOK TO STOP INNER GLASS
97	VM1236A0	LOWER HOOK TO STOP INNER GLASS
98	VM1260A0	90° CURVED DRAIN PIPE
99	VM1460A0	HANDLE HAFT XVC204/304/504/704
100	VM1461A0	XBC/XVC LEFT DOOR LATCH CAP
101	VM1465A0	
102	VM1490A0	CHEFTOP/BAKERTOP HANDLE SCREWS COVER
103	VM1505A0	WALL PASSING WITH DIAPHRAGM
104	VM1510A0	XBC/XVC GROOVED DOOR PIN BUSHING
105	VM1511A0	XBC/XVC SLEEK DOOR PIN BUSHING
106	VM1555A0	
107	VM1556A0	
109	VM1565A0	
110	TB1172A0	
112	VM1605A0	
113	VM250	"COMB" TERMINAL BOARD
114	VN1030A3	

DESCRIZIONE CODICI

201	ON1135A1	FORCHETTA FISSA TURBOLATORE AISI321SERIE
202	ON1230A0	CANNA SCAMBIATORE XBC814G
203	ON1235A0	TURBOLATORE XBC814G
204	ON1310A0	SCATOLA SUP. BRUCIATORE ATM V2
205	ON1185A0	SCATOLA INFERIORE INOX XVC314/514/714G
206	ON1190A0	SCUDO INTERNO INOX XVC314/514/714
207	ON1195A0	SCUDO INTERMEDIO INOX XVC314/514/714 G
208	ON1205A0	INTERRUTTORE TIRAGGIO FUMI XVC314/514/71
209	BR1305A0	ASS. BRUCIATORE ATM XVC/XBC 5 CANDELE
210	BR1310A0	CANDELA DOPPIA ACCENSIONE XVC-XBC
211	BR1230A0	CANDELA DI RILEVAZIONE ACCENSIONE
212	EL1400A0	ELETTROVALV GAS MODULANTE 230V 50/60 HZ
213	LV1085A0	CORDA IN FIBRA DI VETRO TONDA Ø4
214	RC1045A1	RACC.DRITTO OTT.FIL.3/4GAS FEMM.-3/4
215	RC1325A0	RACCORDO FLESS.LE GAS 3/8 EST-M13X1
216	TF1050A0	COLONNINA FISSAGGIO BRUCIATORE XBC
217	TF1045A0	PERNO SOSTEGNO ANTERIORE BRUCIATORE
218	VE1055A1	CONTROLLO FIAMMA HLL 220-240V 5 SEC
219	VE1060A0	COPERCHIO PER VE1055A0
220	VE1500A0	ACCENDITORE COFI TRW1-54M 15KV 7VA
221	GR1070A0	ANELLO PER LABIRINTO CANNA-PORTACANNA
222	VII130A0	RONDELLA ALL.24x18x1,5 TENUTA GAS
223	VII140A0	DADO 3/8" GAS FEMM 22x7 OTTONE OT58
224	VII255A0	DADO M8 H=8 UNIS587 OTTONE-CROMATO
225	VII560A0	RONDELLA BUGNATA Di=4 De=28 Sp=0,8 INOX
226	CE1590A0	CAVO RAME HV PONTE ACCENSIONE
227	CE1595A0	CAVO CARBONIO HV ACCENSIONE
228	TR1110A0	SONDA TEMPERATURA TC K L=2000

DESCRIPTION

201	ON1135A1	BAFFLE FIXING FORK
202	ON1230A0	
203	ON1235A0	
204	ON1310A0	
205	ON1185A0	
206	ON1190A0	
207	ON1195A0	
208	ON1205A0	
209	BR1305A0	
210	BR1310A0	
211	BR1230A0	
212	EL1400A0	
213	LV1085A0	ROUND GLASS FIBRE STRING Ø4
214	RC1045A1	3/4 FEMALE-3/4 STRAIGHT GAS CONNECTION
215	RC1325A0	
216	TF1050A0	
217	TF1045A0	
218	VE1055A1	
219	VE1060A0	COVER FOR VE1055A0
220	VE1500A0	
221	GR1070A0	STAINLESS STEEL RING FOR LABYRINTH
222	VII130A0	ALUMINIUM BUSHING 24x18x1,5 TO HOLD GAS
223	VII140A0	BRASS FEMALE GAS NUT 3/8" 22x7
224	VII255A0	NUT M8 H=8 UNIS587 BRASS-CHROMED
225	VII560A0	ENG-RONDELLA BUGNATA Di=4 De=28
226	CE1590A0	
227	CE1595A0	
228	TR1110A0	