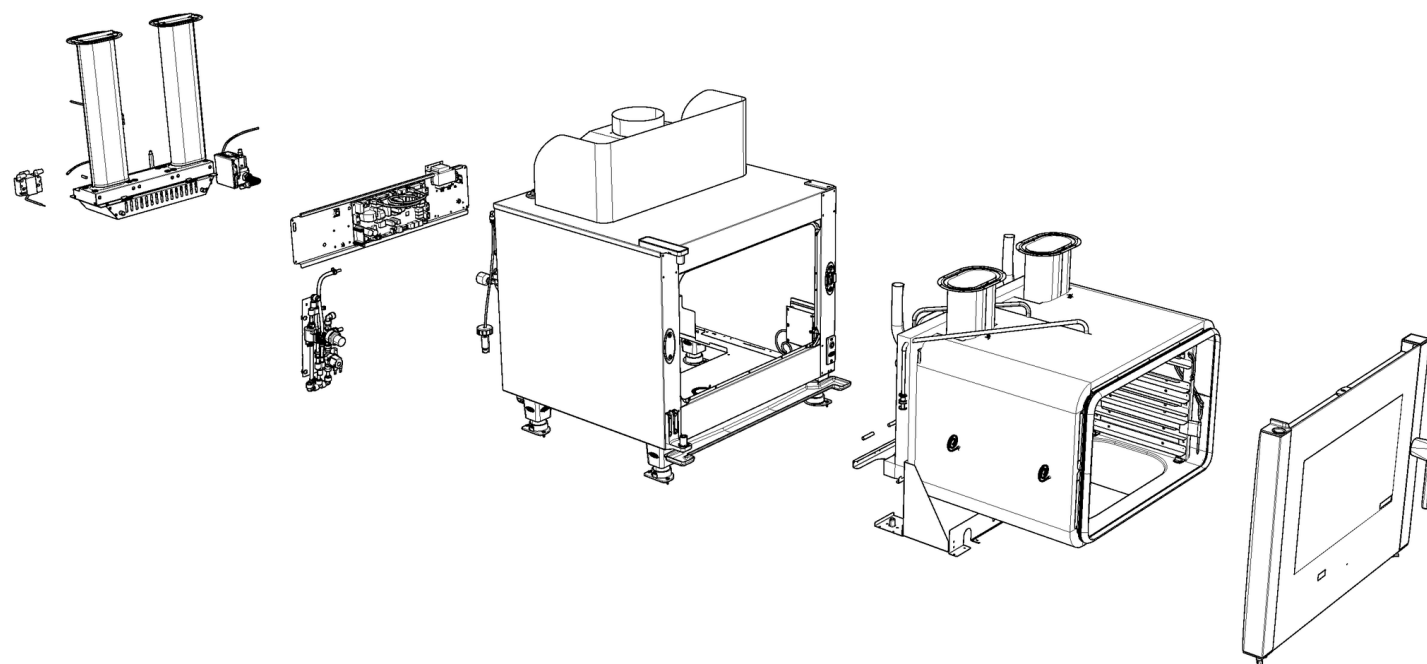
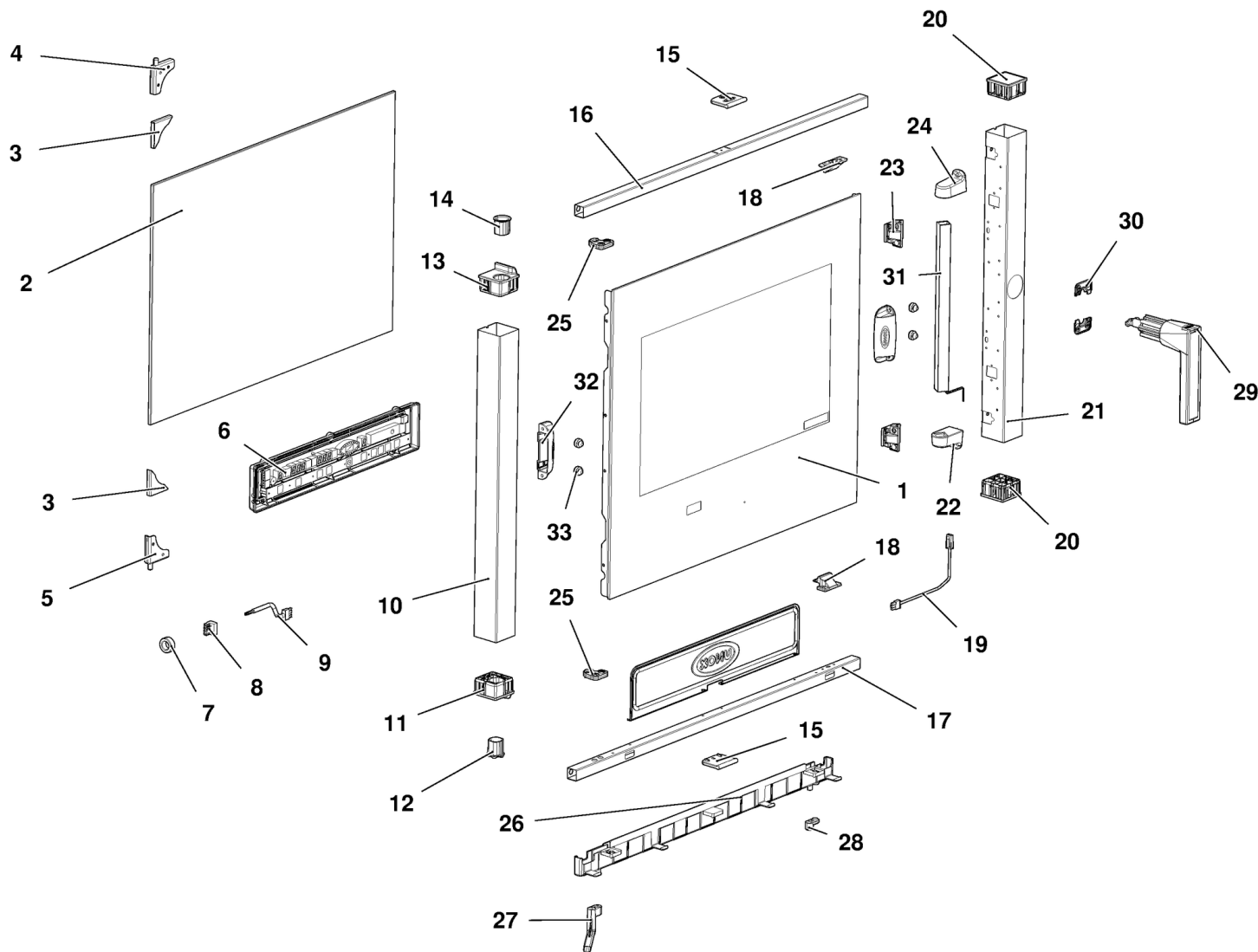


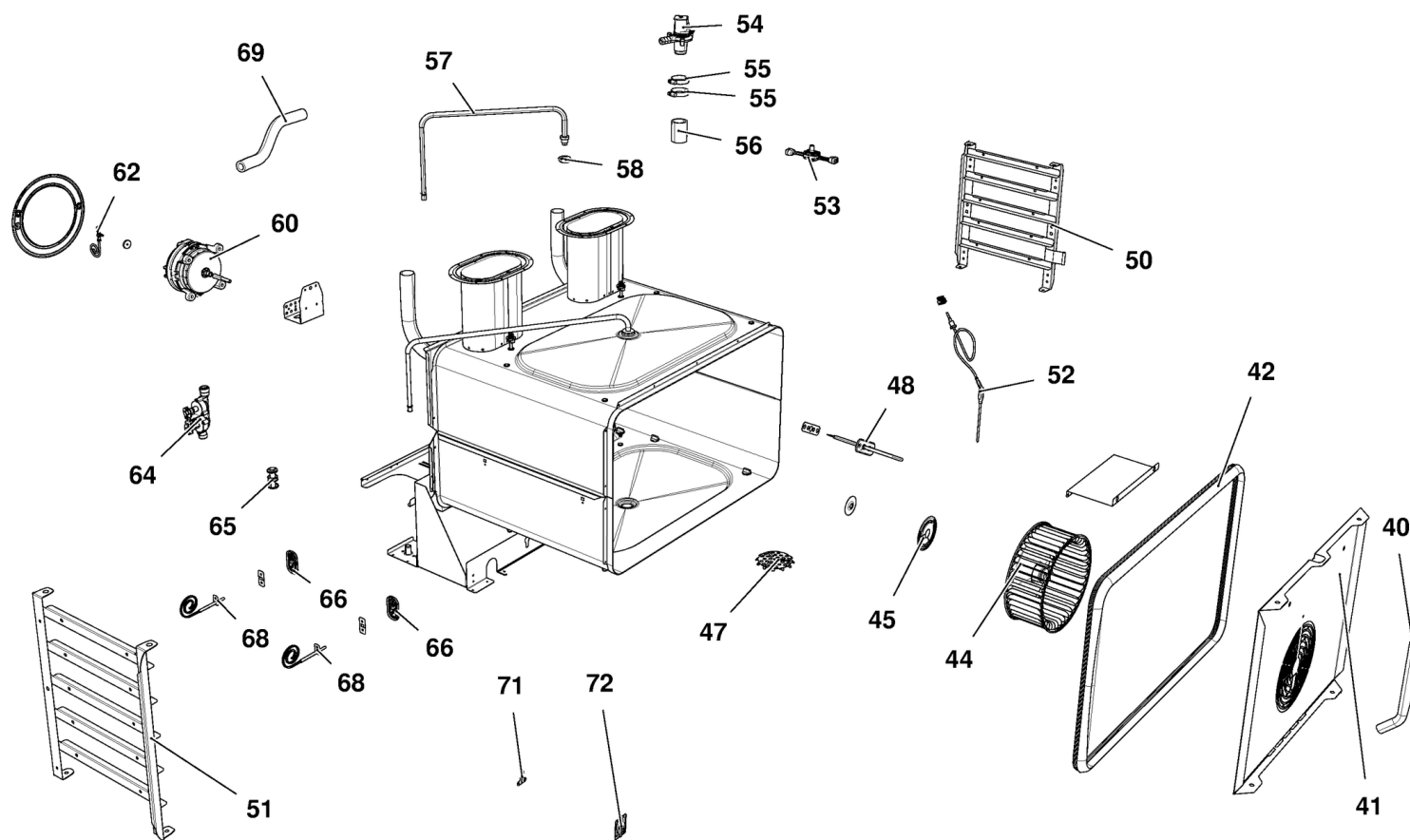
# MOD:XVC315EG



# MOD:XVC315EG

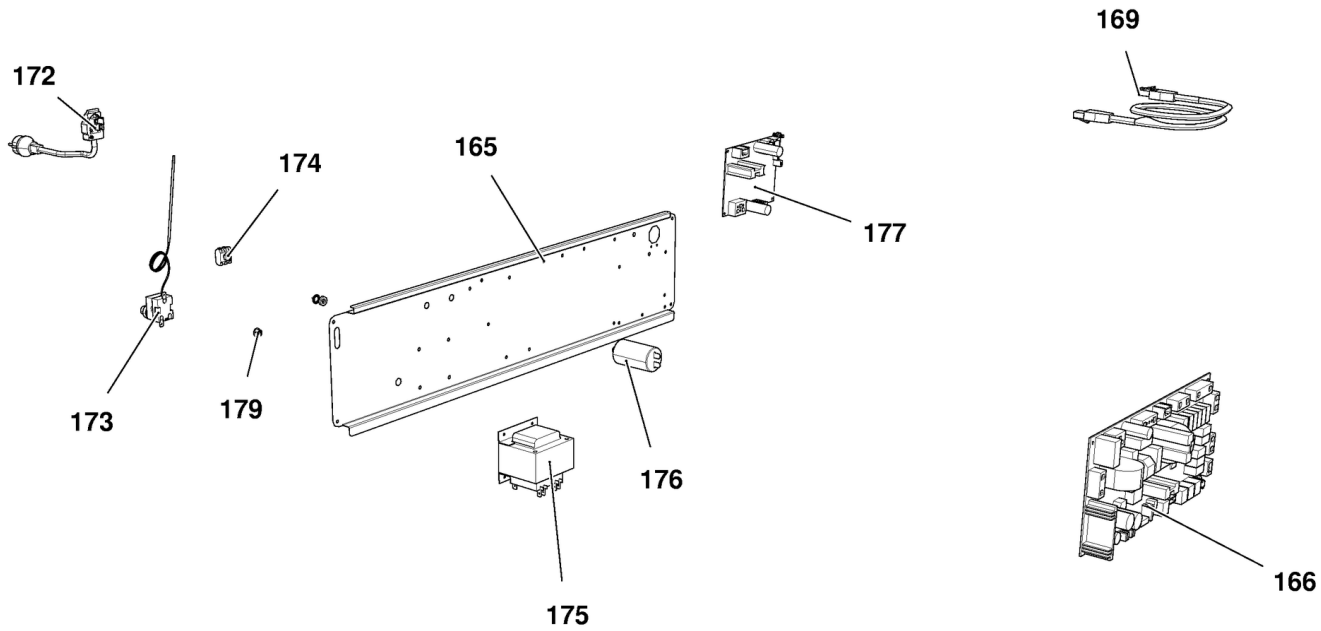


# MOD:XVC315EG

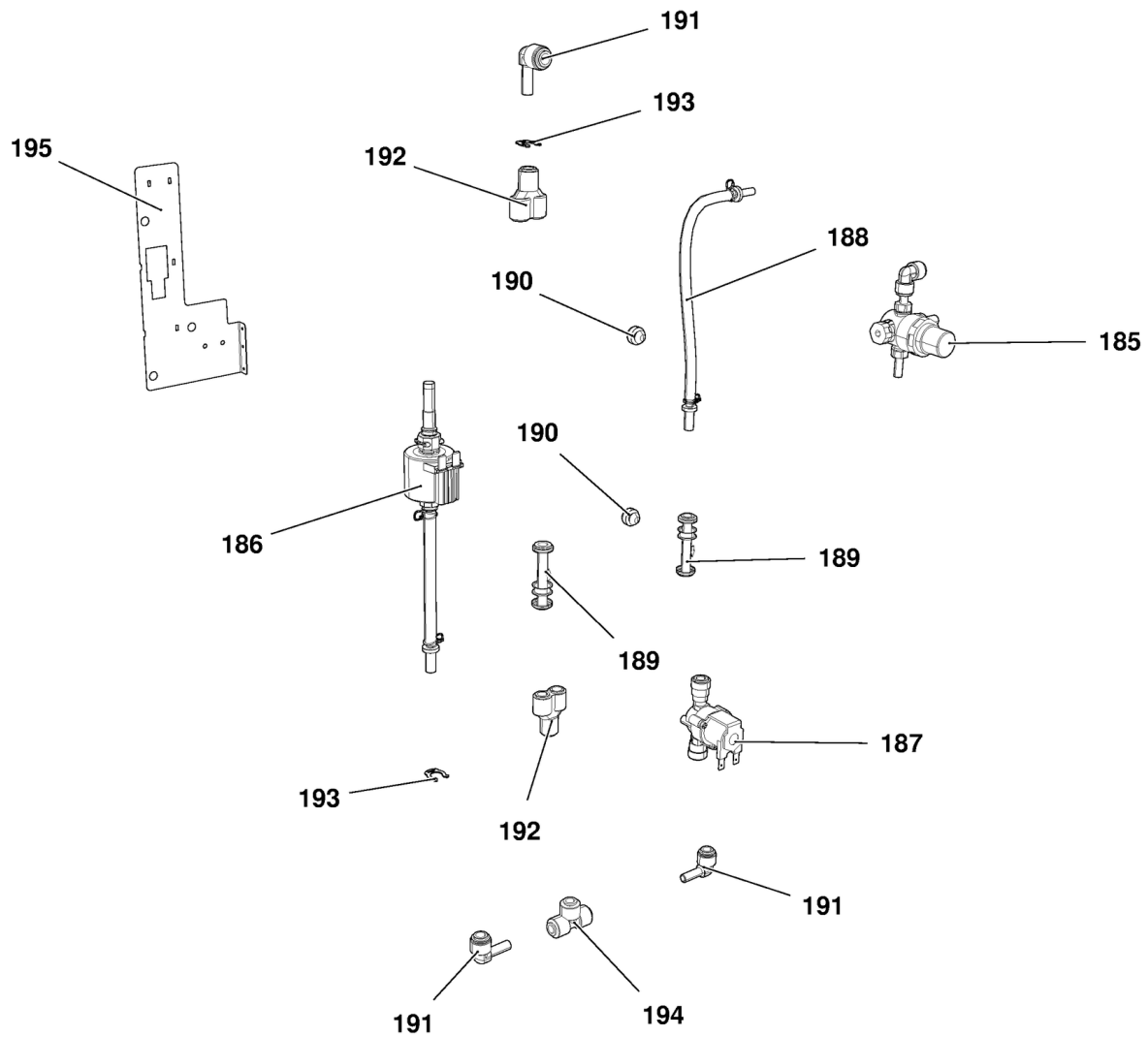




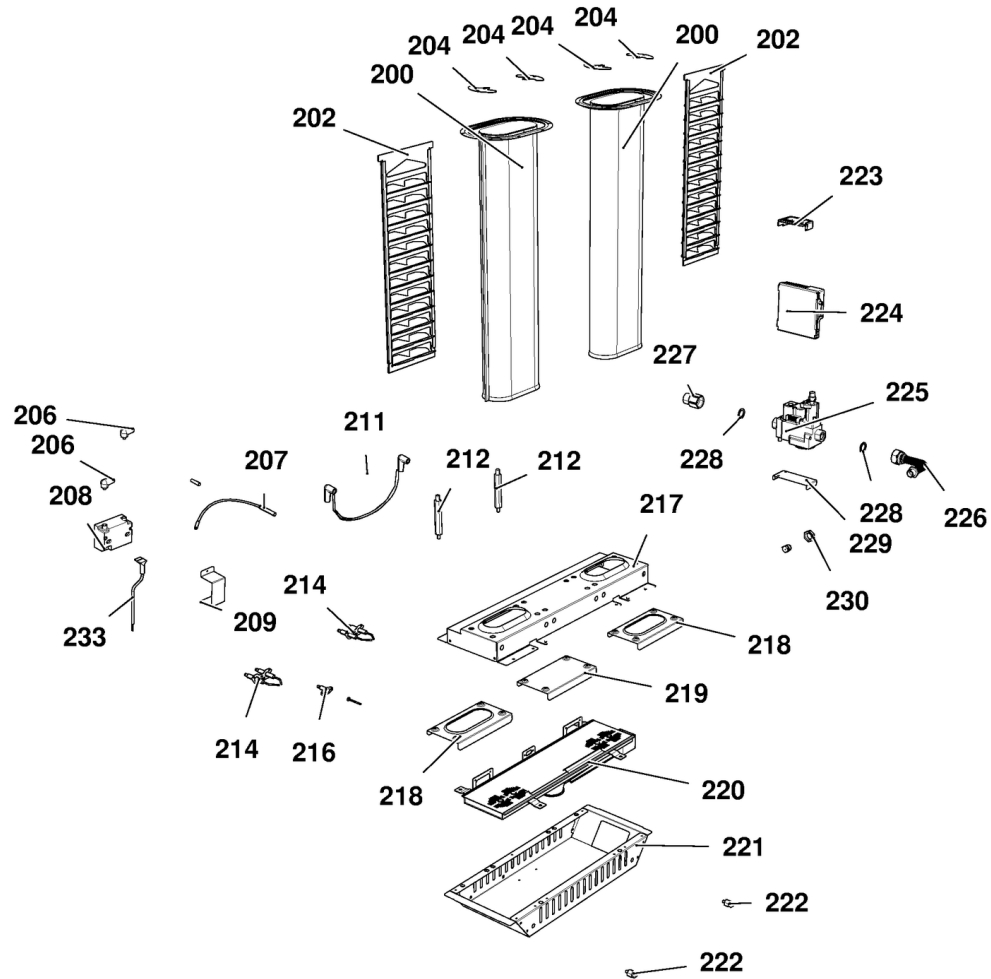
# MOD:XVC315EG



# MOD:XVC315EG



# MOD:XVC315EG



# MOD:XVC315EG



IT

Descrizione codici

1	VT1251A	VETRO EST. XVC305 NERO ENGEFOOD
2	VT1095A	VETRO INTERNO 633X432X6 BETFL XVC
3	GN1181A	GUARNIZIONE CERN VETRO INT CR1085
4	CR1085A	CERNIERA VETRO INT INOX SUP
5	CR1086A	CERNIERA VETRO INT INOX INF
6	PE1740C	SCHEDA CONTROLLO PE1705 CT BT
7	CE1285A	FERRITE EMI ROUND MOD. 2643801502
8	CE1290A	MORSETTO FEMMINA ESTRAIBILE CPF 5
9	CE1275A	CAVO COLLEGAMENTO POTENZA CONTROL
10	TB1186A	COLONNINA SX XVC305 XBC405 50x50x
11	VM1171B	TAPPO FULCRO INF. PORTA XVC204/30
12	VM1510A	BOCCOLA SCANALATA PERNO PORTA XBC
13	VM1170B	TAPPO FULCRO SUP. PORTA XVC204/30
14	VM1511A	BOCCOLA LISCIA PERNO PORTA CHEFFT
15	VM2031A	PREMIVETRO ESTERNO
16	TB2325A	LISTELLO SUP. XVC305E/505E/705E 2
17	TB2326A	LISTELLO INF. XVC305E/505E/705E 2
18	VM2043A	SUPPORTO VETRO SUP - INF
19	CE1665A	CAVO ALIMENTAZIONE BARRA LED 1 MT
20	VM1175A	TAPPO ESTETICO COLONNINA PORTA
21	TB2314A	COLONNINA DX XVC305E-XBC405E 50x5
22	VM1620A	SUPPORTO INF BARRA LED
23	VM2042A	ASSIEME CHIUSURA VETRO INTERNO LA
24	VM1621A	SUPPORTO SUP BARRA LED
25	VM1680A	CERNIERA APERTURA VETRO INTERNO
26	VM1616A	PROFILO SALVAGOCIA 300/500/700
27	VM2014A	TUBO PER PROFILO RACCOGLI GOCCE S
28	VM2044A	TAPPO PER PROFILO RACCOGLI GOCCE
29	VM1180B	IMPUGNATURA MANIGLIA CT BT
30	VM1490A	COPRI VITI MANIGLIA CHEFTOP BAKER
31	LP1001B	BARRA ILLUMINAZIONE LED L300

32	VM1591A	STAFFA SPINGIVETRO INTERNO XVC100
33	VM1630A	TAPPO PREMI VETRO INTERNO
40	TB1356B	TUBO INTERNO UMIDITA' CENT. XVC31
41	OG1415B	CARTER ARIA XVC315EG
42	GN1389B	GN1000B-GUARNIZIONE PORTA XVC304-
44	VN1030A	VENTOLA D196 H81 39 PALE DADO M8
45	OH4305A	DISCO TENUTA ALBERO MOTORE INOX S
47	OH2551A	TAPPO PER TUBO DI SCARICO LIQUIDI
48	RS1215A	RES. PIANA 147W 105V D230 1 SPIRA
50	GRL1220A	SUPPORTO LATERALE DX INOX 5TG GN1
51	GRL1221A	SUPPORTO LATERALE SX INOX 5TG GN1
52	SN1000A	SONDA AL CUORE MULTIPUNTO L=1550
53	VM1955A	CORPO GIRANTE LAVAGGIO
54	VE1135A	ATTUATORE VENTURI 220V 50/60 Hz S
55	RC1378A	FASCETTA STRINGI TUBO ZINCATA
56	TB1956A	TB1520A-TUBO NERO EPDM L=50
57	TB1515A	TUBO EST. UMIDITA' + RC1165A0
58	RC1170A	DADO M14 H=8 CH=22 INOX
60	VN1130A	MOTORE FORNO 330W 230V 50/60HZ
62	PE1710A	SENSORE NUMERO GIRI MOTORE
64	EL1361A	ELETTROVALVOLA TRI-STADIO JG D8-D
65	EL1055A	RIDUZIONE INTERMEDIA D10-D8
66	VM1465A	COPERCHIO Sonda TEMPERATURA CHEFT
68	TR1105A	SONDA TEMPERATURA PT100 L=1000
69	TB1921A	TUBO SILICONE VENTURI D25 XVC305
71	GN1531A	GUARNIZIONE TENUTA INGRESSO BULBO
72	OH7030A	COPERCHIO INGRESSO BULBO
100	OD2176A	FIANCO SX XVC305E
101	OD2177A	FIANCO DX XVC305E
102	OE1322A	FONDO EST. GAS CT GN1/1 S.5E
103	OD2191A	COPERCHIO XVC GAS GN1/1 S.5E

104	OF1440A	SCHIENA XVC315EG
105	OH5114A	LAMIERA COPERTURA BRUCIATORE CT-G
106	VN1163A	VENTOLA RAFFREDDAMENTO 230V
107	VM1555A	SUPPORTO VENTOLA RAFFREDDAMENTO C
108	VM1556A	PROTEZIONE VENTOLA RAFFREDDAMENTO
109	PD1060A	PARTE FISSA PIEDE CT BT
110	PD1063A	STAFFA BLOCCAGGIO PIEDE CT BT
111	VM1991A	CASSETTO RACCOGLI GOCCE 750
112	VM2074A	CLIP CON VITE PER SUPPORTO CASSET
113	VM2039A	ANELLO FISSAGGIO CURVA DI SCARICO
114	GN1400A	GUARNIZIONE SIFONE
115	VL1026A	CURVA PER TUBO DI SCARICO
116	VM2035A	SUPPORTO PER TUBO DI SCARICO
117	VM1160B	STAFFA INFERIORE PORTA CT BT
118	OH2560A	CONTROSTAFFA ZINCATA PORTA C.T.
119	VM1461A	COPERCHIO SX SCROCCO PORTA XBC/XV
120	VM1191A	SCROCCO MANIGLIA SX CT BT
121	VM1201A	PIASTRINA SUPPORTO MICROPORTA MAG
122	VE1020A	MICROINTERRUTTORE PORTA MAGNETICO
123	VM1460A	COPERCHIO DX SCROCCO PORTA XBC/XV
124	VM1190A	SCROCCO MANIGLIA DX CT BT
125	PE1971B	ASM SCHEDA UNOX.LINK MODBUS RJ45+
126	VM1165B	STAFFA SUPERIORE PORTA CT BT
127	OH3790A	LAMIERA TENUTA CAMINO
128	GN1275A	GUARNIZIONE CAMINO SILICONE NERO
129	ON1379A	LAMIERA LATERALE CANNE IPX
131	ON1210A	COPERTURA ESTETICA INTER. TIRAG.
132	ON1355A	CORPO INTERRUTTORE TIRAGGIO FUMI
146	OH6506A	LAMIERA COP ACCENDITORE XVC GAS G
147	OH3960A	LAMIERA COPERTURA Elett. GAS INOX
148	GN1311A	PASSACAVO GOMMA DE=25 DI=12 SP=6.

149	OH1450A	ANGOLO FACCIATA MUFFOLA INOX XB-X
150	TB2235A	ROCCETTO DETERGENTE TUBO Ø8
167	TR1109A	SONDA TEMPERATURA TC K L2000 COMP
165	OP1008B	PORTACOMPONENTI XVC GAS CT S.5E
166	PE1725E	SCHEDA POTENZA FORNI CT-BT S5.E
169	CE1400A	CAVO RJ45 - RJ45 L=0,5MT
172	MR1000A	CAVO 3X1,5 H07RN-F MT1,5+K2/3+SCH
173	TR1136A	TERMOSTATO SIC. UNIP. 330°C
174	VM1750A	MORSETTIERA A PETTINE
175	VE1026A	TRASFORMATORE 230-21-12Vac 90VA
176	CN1003A	CONDENSATORE CORAZZATO 6,3 uF
177	PE1730C	SCHEDA GESTIONE CENTRALINA GAS CT
179	VM1840A	TAPPO NYLON NERO DIAM. 9,5 MM
185	VL1014A	RIDUTTORE DI PRESSIONE CON DISTRI
186	VL1038A	POMPA VIBRAZIONE
187	EL1411A	ELETTROVALVOLA H2O CON CHECK VALV
188	TB2403A	TUBO PVC Ø9X6 L 250 MM
189	EL1180A	RACCORDO NON RITORNO Ø8 Ø8 FEMMIN
190	VM1630A	TAPPO PREMI VETRO INTERNO
191	EL1195B	RACCORDO GOMITO D8F-D8M
192	EL1115B	RACCORDO Y D8
193	EL1345A	CLIP BLOCCA PINZETTA RACCORDI Ø8
194	EL1020A	RACCORDO INTERMEDIO "T" TUBO Ø8
195	OH6413A	SUPPORTO IMPIANTO IDRICO
200	ON1150A	CANNA SCAMBIATORE XVC314G
200	ON1150A	CANNA SCAMBIATORE XVC314G
202	ON1155A	TURBOLATORE XVC314G
202	ON1155A	TURBOLATORE XVC314G
204	ON1135A	FORCHETTA PER TURBOLATORI GAS
206	CE1777A	CAVO FIDA ACCENSIONE HV L=650
206	CE1777A	CAVO FIDA ACCENSIONE HV L=650

207	CE1792A	CAVO CANDELA RILEVAZIONE FIAMMA
208	VE1625A	ACCENDITORE SSE
209	OH5126A	OMEGA FISSAGGIO ACCENDITORE
211	CE1782A	CAVO FIDA PONTE HV L=300
212	TF1040A	COLONNINA FISSAGGIO BRUCIATORE XV
214	BR1310A	CANDELA DOPPIA ACCENSIONE XVC-XBC
214	BR1310A	CANDELA DOPPIA ACCENSIONE XVC-XBC
216	BR1230A	CANDELA DI RILEVAZIONE ACCENSIONE
217	ON1310A	SCATOLA SUP. BRUCIATORE ATM V2
218	ON1190A	SCUDO INTERNO XVC314/514/714
219	ON1195A	SCUDO INTERMEDIO XVC314/514/714 G
220	BR1305A	ASS. BRUCIATORE ATM XVC/XBC 5 CAN
221	ON1185A	SCATOLA INFERIORE XVC314/514/714G
222	TF1045A	PERNO SOSTEGNO ANTERIORE BRUCIATO
223	VE1060A	COPERCHIO PER VE1055A0
224	VE1055A	CONTROLLO FIAMMA HLL 220-240V 5 S
225	EL1400C	ELETTROVALVOLA MODULANTE GAS HONE
226	RC1325A	RACCORDO FLESS.LE GAS 3/8 EST-M13
227	RC1045A	RACC DRITTO OTT FIL 3/4GAS FEMM.
228	VI1130A	RONDELLA ALL.24x18x1,5 TENUTA GAS
229	OH6501A	SUPPORTO VALVOLA GAS SERIE E
230	VI1140A	DADO 3/8" GAS FEMM 22x7 OTTONE OT
233	CE1811A	CAVO ALIMENTAZIONE ACCENDITORE



# MOD:XVC315EG



EN

## Codes descriptions

1	VT1251A	Oven Doors 647x555 4 clear 3Print
2	VT1095A	INNER GLASS 633X432X6 BETFL XVC30
3	GN1181A	INTERNAL GLASS HINGE SEAL
4	CR1085A	INTERNAL GLASS UPPER HINGE
5	CR1086A	INTERNAL GLASS LOWER HINGE
6	PE1740C	CT BT CONTROL BOARD PE1705 + BOAR
7	CE1285A	EMI ROUND FERRITE MOD.2643801502
8	CE1290A	EXTRACTABLE FEMALE TERMINAL CPF 5
9	CE1275A	CONNECTION CABLE POWER - CONTROL
10	TB1186A	XVC305 XBC405 ST. ST. LEFT DOOR C
11	VM1171B	DOOR LOWER FULCRUM CAP
12	VM1510A	XBC/XVC GROOVED DOOR PIN BUSHING
13	VM1170B	UPPER DOOR FULCRUM CAP
14	VM1511A	XBC/XVC SLEEK DOOR PIN BUSHING
15	VM2031A	EXTERNAL GLASS PUSHING PLATE
16	TB2325A	XVC305E/505E/705E UPPER LISTEL 20
17	TB2326A	XVC305E/505E/705E LOWER LISTEL 20
18	VM2043A	UPPER - LOWER GLASS SUPPORT
19	CE1665A	LED POWER SUPPLY 1 M CABLE
20	VM1175A	DOOR COLUMN BLANKING CAP
21	TB2314A	XVC305E-XBC405E 50x50x1.2 RIGHT C
22	VM1620A	LED BAR LOWER SUPPORT
23	VM2042A	INTERNAL GLASS LATERAL LOCKING SY
24	VM1621A	LED BAR UPPER SUPPORT
25	VM1680A	INTERNAL GLASS HINGE
26	VM1616A	300/500/700 E SERIES DRIP PROFILE
27	VM2014A	LEFT DRIP PROFILE PIPE
28	VM2044A	DRIP PROFILE CAP
29	VM1180B	ChefTop/BakerTop HANDLE HAFT
30	VM1490A	CHEFTOP/BAKERTOP HANDLE SCREWS CO
31	LP1001B	LED LIGHTING BAR L300

32	VM1591A	GLASS BRACKET INT. XVC1004
33	VM1630A	INTERNAL GLASS PUSHING CAP
40	TB1356B	XVC315 INTERNAL CENTRAL WATER PIP
41	OG1415B	XVC315EG FAN GUARD
42	GN1389B	GN1000B - XVC304/305 DOOR SEAL
44	VN1030A	MOTOR FAN D196 H81 39 BLADE NUT M
45	OH4305A	ST. STEEL MOTOR SHAFT SEALING DIS
47	OH2551A	XBC/XVC ST.STEEL DRAIN COVER
48	RS1215A	147W 105V D230 1 TURN FLAT ELEMEN
50	GRL1220A	5 GN1/1 ST. STEEL RIGHT LATERAL S
51	GRL1221A	5 GN1/1 ST. STEEL LEFT LATERAL SU
52	SN1000A	MULTI.Point CORE PROBE L=1550
53	VM1955A	WASHING SYSTEM ROTOR
54	VE1135A	VENTURI ACTUATOR 220 V 50/60 Hz S
55	RC1378A	HOSE CLAMP
56	TB1956A	TB1520A - EPDM BLACK PIPE L=50
57	TB1515A	EXTERNAL WATER PIPE + RC1165A0
58	RC1170A	STAINLESS STEEL NUT M14 H=8 CH=22
60	VN1130A	330W 230V 50/60HZ MOTOR
62	PE1710A	MOTOR REVOLUTIONS SENSOR
64	EL1361A	J.G. THREE-STAGE SOLENOID VALVE D
65	EL1055A	INTERMEDIATE REDUCTION FROM D=10
66	VM1465A	CHEFTOP TEMPERATURE PROBE COVER
68	TR1105A	TEMPERATURE PROBE PT100 L=1000
69	TB1921A	XVC305 VENTURI SILICON PIPE D25
71	GN1531A	PROBE SEALING
72	OH7030A	INLET COVER BULB
100	OD2176A	XVC305E EXTERNAL LEFT SIDE
101	OD2177A	XVC305E RIGHT SIDE
102	OE1322A	S.5E GN1/1 GAS CHEFTOP EXT. BOTTO
103	OD2191A	S.5E GN1/1 GAS CHEFTOP EXT. COVER

104	OF1440A	XVC315EG EXTERNAL BACK PANEL
105	OH5114A	CHEFTOP GAS BURNER COVER
106	VN1163A	COOLING FAN 230V
107	VM1555A	CT BT COOLING DOWN FAN SUPPORT
108	VM1556A	XBC-XVC COOLING FAN GUARD
109	PD1060A	CT BT FOOT FIX COMPONENT
110	PD1063A	CT BT FOOT STOP BRACKET
111	VM1991A	CHEFTOP E SERIES DRIP TRAY
112	VM2074A	C.T. DRIP TRAY FIXING CLIP WITH S
113	VM2039A	DRAIN BEND FIXING RING
114	GN1400A	U-TRAP SEAL
115	VL1026A	BEND FOR DRAIN PIPE
116	VM2035A	DRAIN PIPE SUPPORT
117	VM1160B	CT BT DOOR LOWER BRACKET
118	OH2560A	XBC/XVC ZINC PLAT. DOOR COUNTERBR
119	VM1461A	XBC/XVC LEFT DOOR LATCH CAP
120	VM1191A	CT BT LEFT DOOR SPRING LATCH
121	VM1201A	MAGNETIC SUPPORT PLATE FOR DOOR M
122	VE1020A	MAGNETIC DOOR MICROSWITCH
123	VM1460A	XBC/XVC RIGHT DOOR LATCH CAP
124	VM1190A	CT BT RIGHT DOOR SPRING LATCH
125	PE1971B	UNOX.LINK MODBUS RJ45+USB
126	VM1165B	CT BT DOOR UPPER BRACKET
127	OH3790A	CHIMNEY HOLDING PLATE
128	GN1275A	XBC/XVC BLACK CHIMNEY SEALING
129	ON1379A	HEAT EXCHANGER LATERAL PANEL
131	ON1210A	XVC GAS DRAFT STOPPER EXTERNAL CO
132	ON1355A	GAS DRAFT STOPPER CASING
146	OH6506A	E SERIES GN1/1 XVC GAS LIGHTER CO
147	OH3960A	GAS VALVE COVER
148	GN1311A	RUBBER CABLE-PASSING De=25 Dj=12

149	OH1450A	XB-XV-XG ST. STEEL MUFFLE FRONT C
150	TB2235A	Ø8 DETERGENT PIPE COIL
167	TR1109A	TC K L2000 TEMPERATURE PROBE-US V
165	OP1008B	
166	PE1725E	E SERIES CHEFTOP-BAKERTOP POWER C
169	CE1400A	RJ45 - RJ45 CABLE L=0,5MT
172	MR1000A	CABLE 3X1,5 H07RN-F MT1,5+K2/3+S
173	TR1136A	SAFETY THERMOSTAT UNIP. 330°C
174	VM1750A	TERMINAL BOARD
175	VE1026A	TRANSFORMER 230-21-12Vac 80VA
176	CN1003A	CONDENSER6,3 UF
177	PE1730C	CT-BT GAS CONTROL BOARD
179	VM1840A	BLACK NYLON CAP DIAM. 9,5mm
185	VL1014A	PRESSURE REDUCER WITH DISTRIBUTOR
186	VL1038A	VIBRATION PUMP
187	EL1411A	SOLENOID VALVE WITH CHECK VALVE
188	TB2403A	Ø9X6 L 250 MM PVC PIPE
189	EL1180A	Ø8 Ø8 FEMALE NON-RETURN CONNECTIO
190	VM1630A	INTERNAL GLASS PUSHING CAP
191	EL1195B	D8F-D8M ELBOW CONNECTION
192	EL1115B	Y D8 CONNECTION
193	EL1345A	CLIP TO FIX Ø08 mm CONNECTION JOI
194	EL1020A	INTERMEDIATE "T" CONNECTION ø8
195	OH6413A	WATER SYSTEM SUPPORT
200	ON1150A	XVC314/5G ST. ST. HEAT EXCHANGER
200	ON1150A	XVC314/5G ST. ST. HEAT EXCHANGER
202	ON1155A	XVC314/315G BAFFLE
202	ON1155A	XVC314/315G BAFFLE
204	ON1135A	GAS BUFFLE FORK
206	CE1777A	HV L=650 STARTER FIDA CABLE
206	CE1777A	HV L=650 STARTER FIDA CABLE

207	CE1792A	FLAME DETECTOR CANDLE CABLE
208	VE1625A	5E SERIES GAS LIGHTER
209	OH5126A	LIGHTER FIXING OMEGA
211	CE1782A	HV L=300 BRIDGE FIDA CABLE
212	TF1040A	XVC/XBC BURNER FIXING COLUMN
214	BR1310A	XBC-XVC DOUBLE START UP CANDLE
214	BR1310A	XBC-XVC DOUBLE START UP CANDLE
216	BR1230A	START UP SENSOR CANDLE
217	ON1310A	UPPER BOX FOR ATM V2 BURNER
218	ON1190A	XBC-XVC INTERNAL BURNER GUARD
219	ON1195A	XBC-XVC MID BURNER GUARD
220	BR1305A	XVC/XBC 5 CANDLES BURNER
221	ON1185A	XVC315/515/715G ST. ST. LOWER BOX
222	TF1045A	FRONT BURNER RESTING PIN
223	VE1060A	COVER FOR VE1055A0
224	VE1055A	HLL 220-240V 5 SEC FLAME CONTROL
225	EL1400C	
226	RC1325A	FLEXIBLE GAS JOINT 3/8 EST-M13X1
227	RC1045A	3/4 FEMALE-3/4 STRAIGHT GAS CONNE
228	VI1130A	ALUMINIUM BUSHING 24x18x1,5 TO HO
229	OH6501A	E SERIES GAS VALVE SUPPORT
230	VI1140A	BRASS FEMALE GAS NUT 3/8" 22x7
233	CE1811A	LIGHTER CONNECTING CABLE