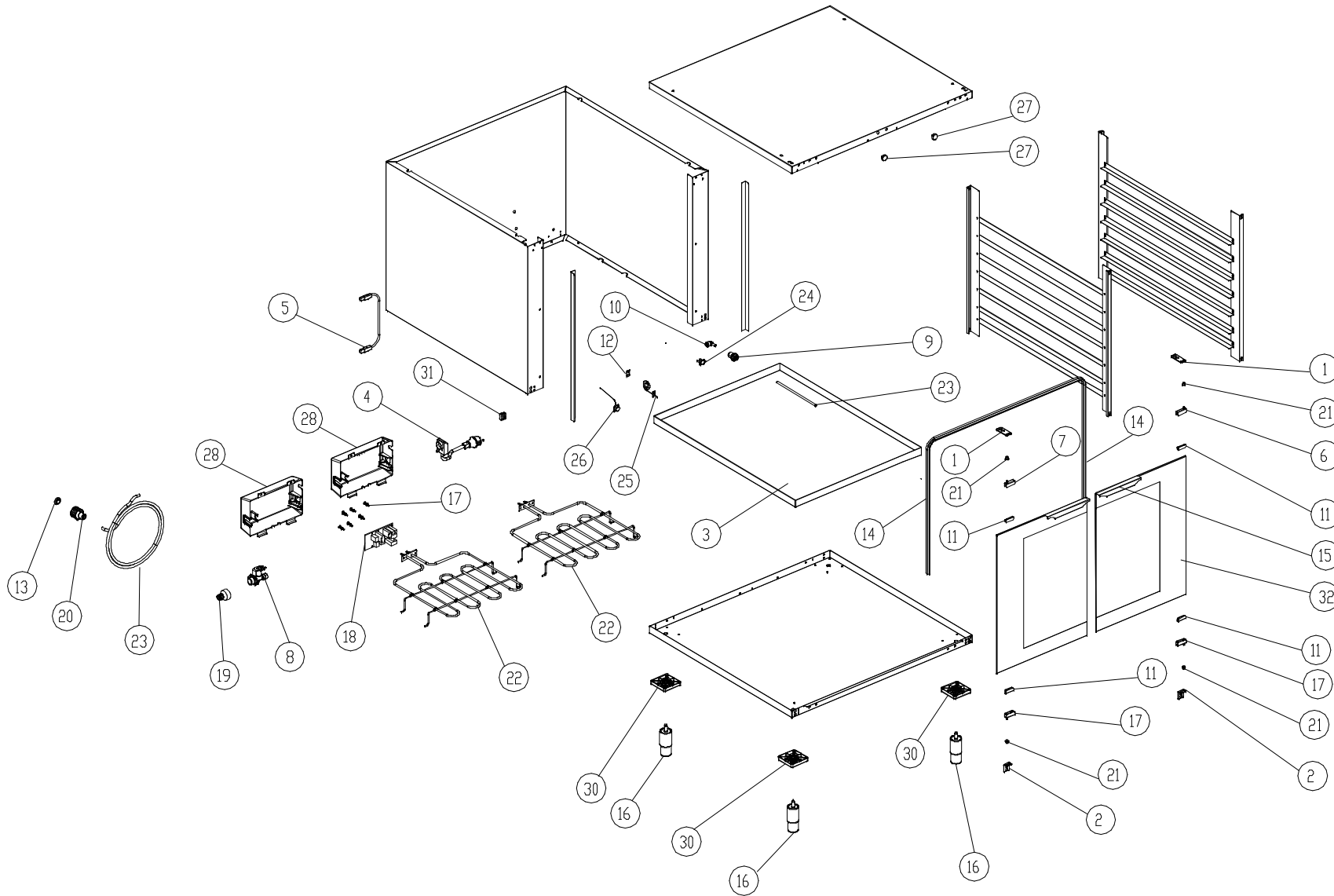


LEGEND - LEGENDA

1	OH2030A0
2	OH2031A0
3	OH3745A0
4	CE116
5	CE1305A0
6	CR045
7	CR046
8	EL1090A0
9	EL1125A0
10	EL1195A0
11	GN006A
12	GN1120A0
13	GN1200A0
14	GN1245A1
15	MG1035A1
16	PD1015A0
17	PE1640A0
18	PE1415B1
19	RC1030A1
20	RC1210A0
21	RC492B
22	RS1095A0
23	TB008
25	TR1015A0
26	TR1050A0
27	VE1120B0
28	VE1130A0
30	VM1280A0
31	VM250
32	VTT165A0



MOD: XL404

EXPLODED VIEW DISEGNO ESPLOSO



DESCRIZIONE CODICI

1	0H2030A0	STAFFA INOX SUPERIORE PORTA SERIE XL
2	0H2031A0	STAFFA INOX INFERIORE PORTA SERIE XL
3	0H3745A0	VASCA UMIDITA INOX XL404
4	CE116	CAVO 3x1,5 H07RN-F MT1,5+K1/3+SCHUK
5	CE1305A0	CAVO RJ45 - RJ45 L=2MT
6	CR045	CERN.DX INOX XV-XL-XB
7	CR046	CERN.SX INOX XV-XL-XB
8	EL1090A0	ELETR.SINGOLA ATT. J.GUEST INCORPORATO CON RID.VERDE.T
9	EL1125A0	PASSAPARETE Ø8
10	EL1195A0	RACCORDO A GOMITO CON J.GUEST CODOLO D8 - D8
11	GN006A	GUARN.PORTA FREDDA A BAND. PTFE CAR/CARB Sp=1mm
12	GN1120A0	GUARNIZIONE SONDA DI TEMPERATURA NTC
13	GN1200A0	GUARNIZIONE D=24 RACCORDO 3/4 GOMMA+RETE
14	GN1245A1	GUARNIZIONE PORTA NERA 8G XL404
15	MG1035A1	MANIGLIA INOX SERIE XL
16	PD1015A0	PIEDINO REGOLABILE D=45 H=70-100 INOX
17	PE1640A0	DISTANZIALE NYLON 5,8MM FASTPOINT
18	PE1415B1	SCHEDA POTENZA MANTENITORE SERIE 1
19	RC1030A1	RACCORDO DIRITTO D=8 - 3/4
20	RC1210A0	RACCORDO 3/4 FEMM. - J.GUEST Ø8 CON FILTRO E VNR
21	RC492B	BOCCOLA PER CR045-46 12X6,5 DI=5,3 AISI304
22	RS1095A0	RESISTENZA PIANA 1200 W 230 V
23	TB008	TUBO PE 7,93x4,75 TRASPARENTE
25	TR1015A0	SONDA DI TEMP. NTC UL
26	TR1050A0	SONDA UMIDITA'
27	VE1120B0	MAGNETE NEODIMIO D22 10N FILETTATURA M6
28	VE1130A0	SCATOLA PORTA COMPONENTI LIEVITATORI
30	VM1280A0	STAFFA PER RUOTA NYLON GRIGIO
31	VM250	MORSETT. A PETTINE
32	VT1165A0	VETRO ESTERNO SER. 429X582X5 CHIARO TFL XL404

DESCRIPTION

1	0H2030A0	STAINLESS STEEL UPPER BRACKET FOR DOOR SERIE XL
2	0H2031A0	STAINLESS STEEL LOWER BRACKET FOR DOOR SERIE XL
3	0H3745A0	
4	CE116	EL CABLE 3x1.5 H07RN-F MT1,5+K1/3+SCHUKO
5	CE1305A0	RJ45 - RJ45 CABLE L=2MT
6	CR045	RIGHT STAINLESS STEEL HINGE XV-XL-XB
7	CR046	LEFT STAINLESS STEEL HINGE XV-XL-XB
8	EL1090A0	WATER SINGLE ELECTROV.W/RAPID CONNECTION J.GUEST AND
9	EL1125A0	WALL PASSING SEAL Ø8
10	EL1195A0	ELBOW UNION WITH J.GUEST TERMINAL D8 - D8
11	GN006A	COLD DOOR SEAL PTFE CAR/CARB Thickness=1mm
12	GN1120A0	TEMPERATURE PROBE NTC SEAL
13	GN1200A0	3/4 CONNECTION SEAL D=24 RUBBER+NET
14	GN1245A1	
15	MG1035A1	STAINLESS STEEL HANDLE SERIE XL
16	PD1015A0	STAINLESS STEEL ADJUSTABLE FOOT D=45 H=70-100
17	PE1640A0	NYLON SPACER 5,8mm
18	PE1415B1	
19	RC1030A1	3/4 STRAIGHT CONNECTION D=8
20	RC1210A0	Ø8 J.GUEST 3/4 FEMALE CONNECTION WITH FILTER+NONRETUR
21	RC492B	
22	RS1095A0	FLAT HEATING ELEMENT 1200 W 230 V
23	TB008	TRANSPARENT TUBE PE 7,93x4,75
25	TR1015A0	TEMPERATURE PROBE NTC UL
26	TR1050A0	HUMIDITY PROBE
27	VE1120B0	NEODYMIUM MAGNET D22 10N THREAD M6
28	VE1130A0	BOX FOR COMPONENTS FOR PROVERS
30	VM1280A0	GREY NYLON BRACKET FOR WHEELS
31	VM250	"COMB" TERMINAL BOARD
32	VT1165A0	