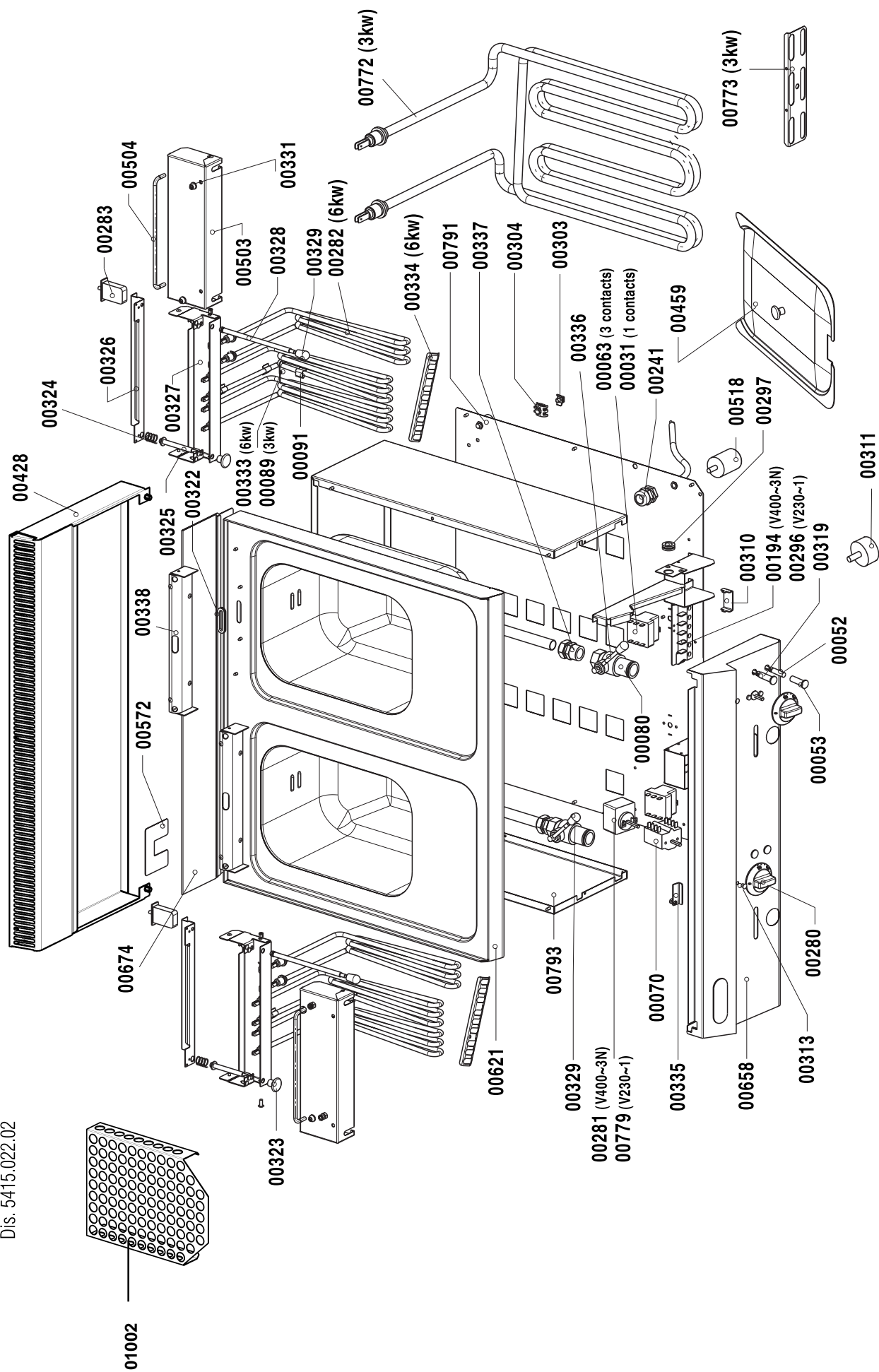


Dis. 5415.022.02



PRICE LIST 2304**Spare parts for Electric Fryers mod. FR..E**

CODE	DESCRIPTION	PRICE €
00031	1-PHASE SAFETY THERMOSTAT	28,22
00052	* LAMP	3,29
00053	GREEN LAMP HOLDER	0,82
00063	* 3-PHASE SAFETY THERMOSTAT	53,15
00070	SWITCH	11,78
00091	PROBE LOCK	2,19
00280	* KNOB	4,93
00281	* 3-PHASE THERMOSTAT	52,32
00282	* HEATING ELEMENT 2 KW	30,41
00283	* SAFETY SWITCH	35,06
00311	FEET H= 25 mm	1,09
00319	ORANGE LAMPHOLDER	0,82
00323	HAND GRIP	2,19
00329	HAND GRIP FOR HANDLE	2,19
00333	PROBE SPRING	2,19
00459	LID	35,34
00518	FEET H= 50 mm	3,29
00772	HEATING ELEMENT 230 V. 3 kW	44,93
00774	RELAIS	36,16
00779	1-PHASE THERMOSTAT	22,46
	* Suggested spare parts	