

# **BAR-LINE**

**SPARE PARTS LIST  
CATALOGO RICAMBI  
CATALOGUES PIÈCES DÉTACHÉES  
ERSATZTEILENKATALOG**

**20 - 30**

**40 - 50**

**65 - 90**

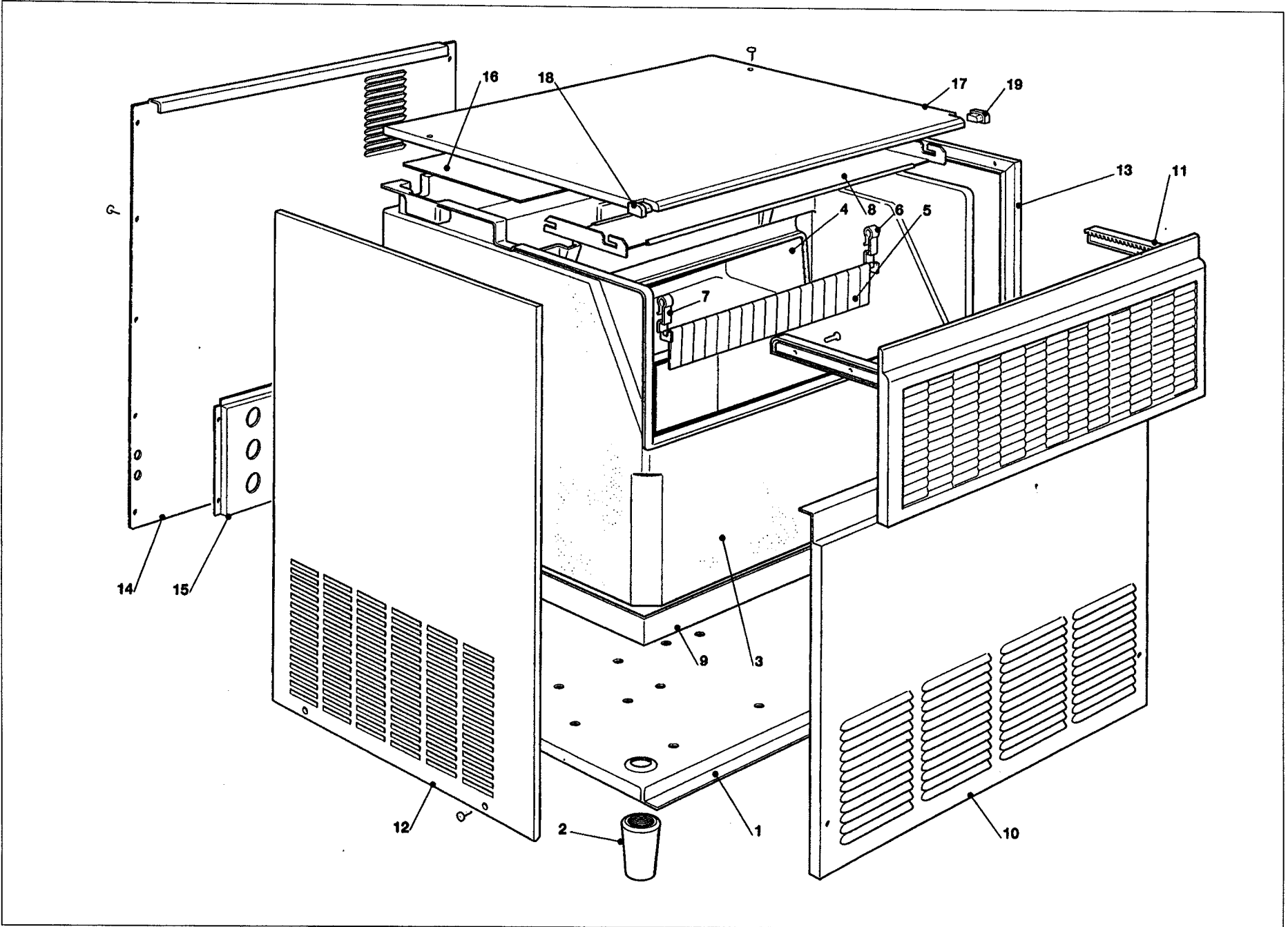
**R 134 A**

**Cubers**

**Fabbricatori  
di ghiaccio a cubetti**

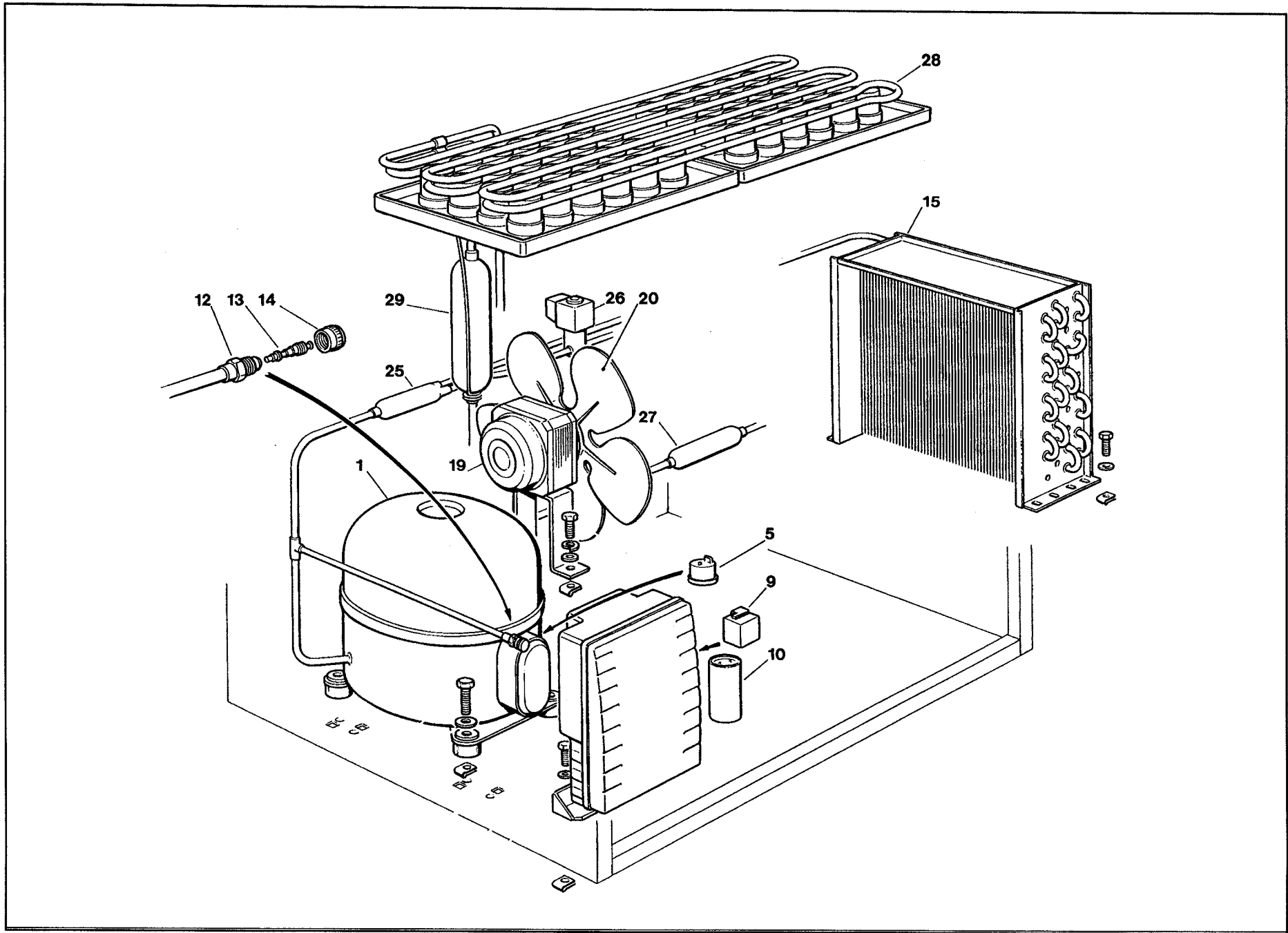
**Machines á glaçons**

**Kegeleisbereiter**



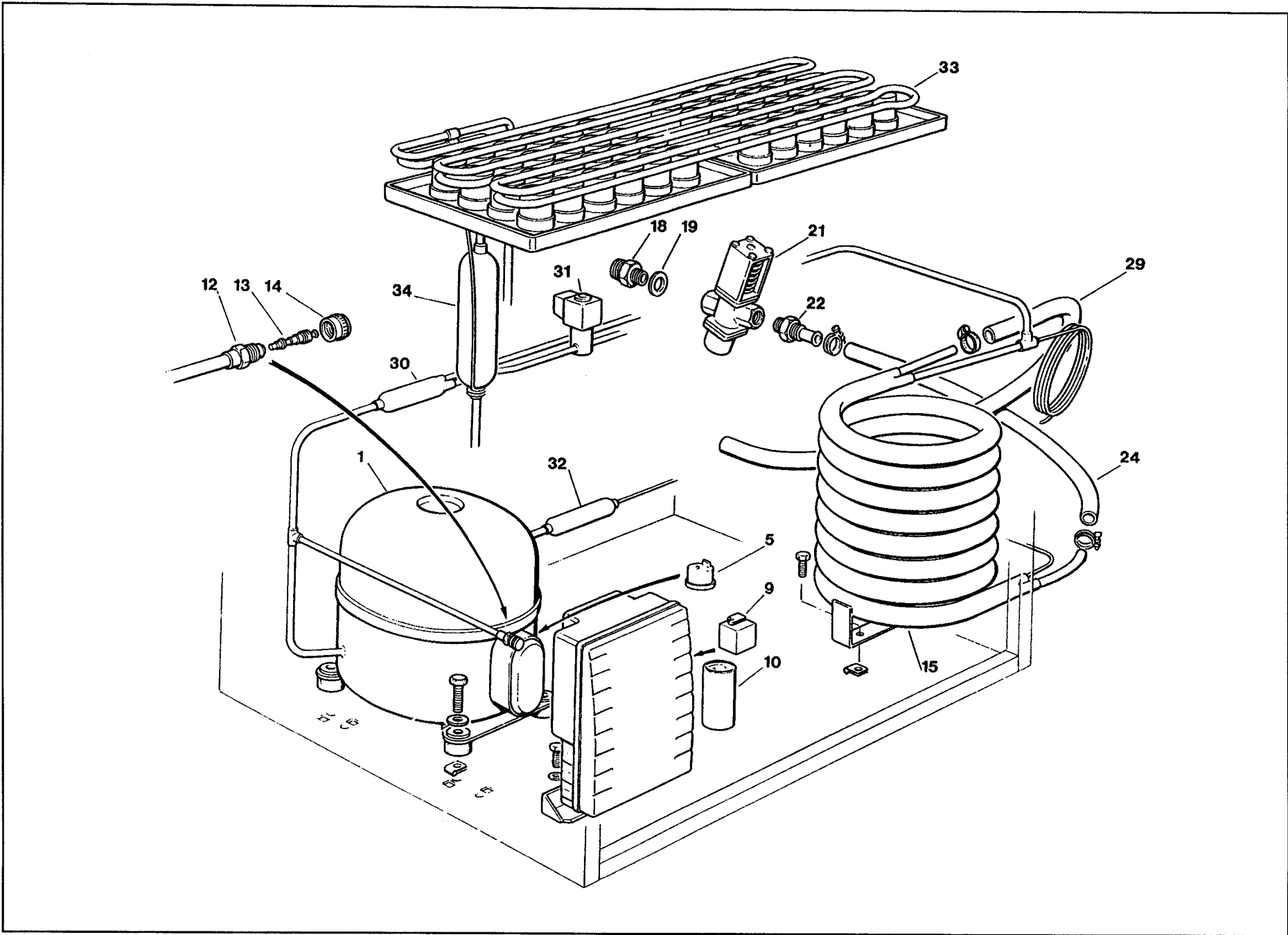
## 50 - 65 - 90 - UNIT PANELS - ASSIEME MOBILE - ENS. CARROSSERIE - MACHINE GEHAUSE

| ITEM NO<br>POS NO<br>REF. NO<br>REF. NO | PART NO - CODICE<br>REFERENCE - TUECK NR |                          | DESCRIPTION                | DESCRIZIONE                       | DESIGNATION                          | BESCHREIBUNG               |
|---|--|--------------------------|----------------------------|-----------------------------------|--------------------------------------|----------------------------|
|   | 50                                       | 65 - 90                  |                            |                                   |                                      |                            |
| 1                                       | 781406 05R                               | 781406 02 R              | UNIT BASE                  | BASAMENTO                         | BASEMENT                             | CHASSIS RAHMEN             |
| 2                                       | 660638 00                                |                          | LEGS                       | PIEDINI                           | PIEDS                                | FUESSE                     |
| 3-4                                     | 782096 03R                               | 782088 02 R              | INSULATED STORAGE BIN      | CELLA ISOLATA                     | CABINE STOCKAGE ISOLEE               | ISOLIEREISSPEICHER         |
| 5                                       | 784457 04R                               | 784457 02 R              | CURTAIN ASSY               | ASSIEME TENDINA                   | ENSAMBLE RIDEAU                      | JALOUSIE                   |
| 6                                       | 660388 01                                |                          | CURTAIN BRACKET RIGHT      | SUPPORTO TENDINA DX               | SUPPORT RIDEAU DROITE                | JALOUSIETRAEGER RECHT      |
| 7                                       | 660388 00                                |                          | CURTAIN BRACKET LEFT       | SUPPORTO TENDINA SX               | SUPPORT RIDEAU GAUCHE                | JALOUSIETRAEGER - LINKE    |
| 8                                       | 721679 01                                | 721679 00                | METAL PLATE                | DISTANZIALE IN ACC. INOX          | PLAQUE EN ACIER INOX                 | METALLPLATTE               |
| 9                                       | 702254 01                                | 702231 00                | METAL BRACKET              | SUPPORTO IN METALLO               | SUPPORT                              | METALLTRÄGER               |
| 10                                      | 721769 00                                | 721644 00                | FRONT PANEL                | PANNELLO FRONTALE                 | PANNEAU AVANT                        | VORDERWAND                 |
| 11                                      | 782091 16R<br>660616 00                  | 782091 04 R<br>660616 00 | BIN DOOR ASSY<br>DOOR RACK | ASSIEME SPORTELLLO<br>CREMAGLIERA | ENSAMBLE PORTE CABINE<br>CREMAILLERE | SPEICHERTUER<br>ZAHNSTANGE |
| 12                                      | 721754 00                                | 721642 00                | LEFT SIDE PANEL            | PANNELLO SX                       | PANNEAU GAUCHE                       | LINKE SEITENWAND           |
| 13                                      | 721753 00                                | 721643 00                | RIGHT SIDE PANEL           | PANNELLO DX                       | PANNEAU DROITE                       | RECHTE SEITENWAND          |
| 14                                      | 702293 00                                | 702201 00                | REAR PANEL                 | PANNELLO POSTERIORE               | PANNEAU ARRIERE                      | RUECKWAND                  |
| 15                                      | 702248 01                                | 702180 00                | METAL BRACKET FOR FITTINGS | SUPPORTO ATTACCHI                 | SUPPORT DE RACCORDS                  | METALLTRAEGER              |
| 16                                      | 741075 02                                | 741075 00                | EVAPORATOR COVER           | COPERCHIO EVAPORATORE             | COUVERCLE EVAPORATEUR                | VERDAMPFERDECKEL           |
| 17                                      | 781395 38R                               | 781395 15 R              | TOP PANEL                  | PANNELLO SUPERIORE                | PANNEAU SUPERIEURE                   | ABDECKHAUBE                |
| 18                                      | 660528 01                                |                          | PLASTIC PLUG LEFT          | TAPPO IN PLASTICA SX              | CAPUCHON EN PLASTIQUE - GAUCHE       | PLASTIKPROPFEN - LINK      |
| 19                                      | 660528 00                                |                          | PLASTIC PLUG RIGHT         | TUBO IN PLASTICA DX               | CAPUCHON EN PLASTIQUE - DROITE       | PLASTIKPROPFEN - RECHT     |
|   |  |                          |                            |                                   |                                      |                            |



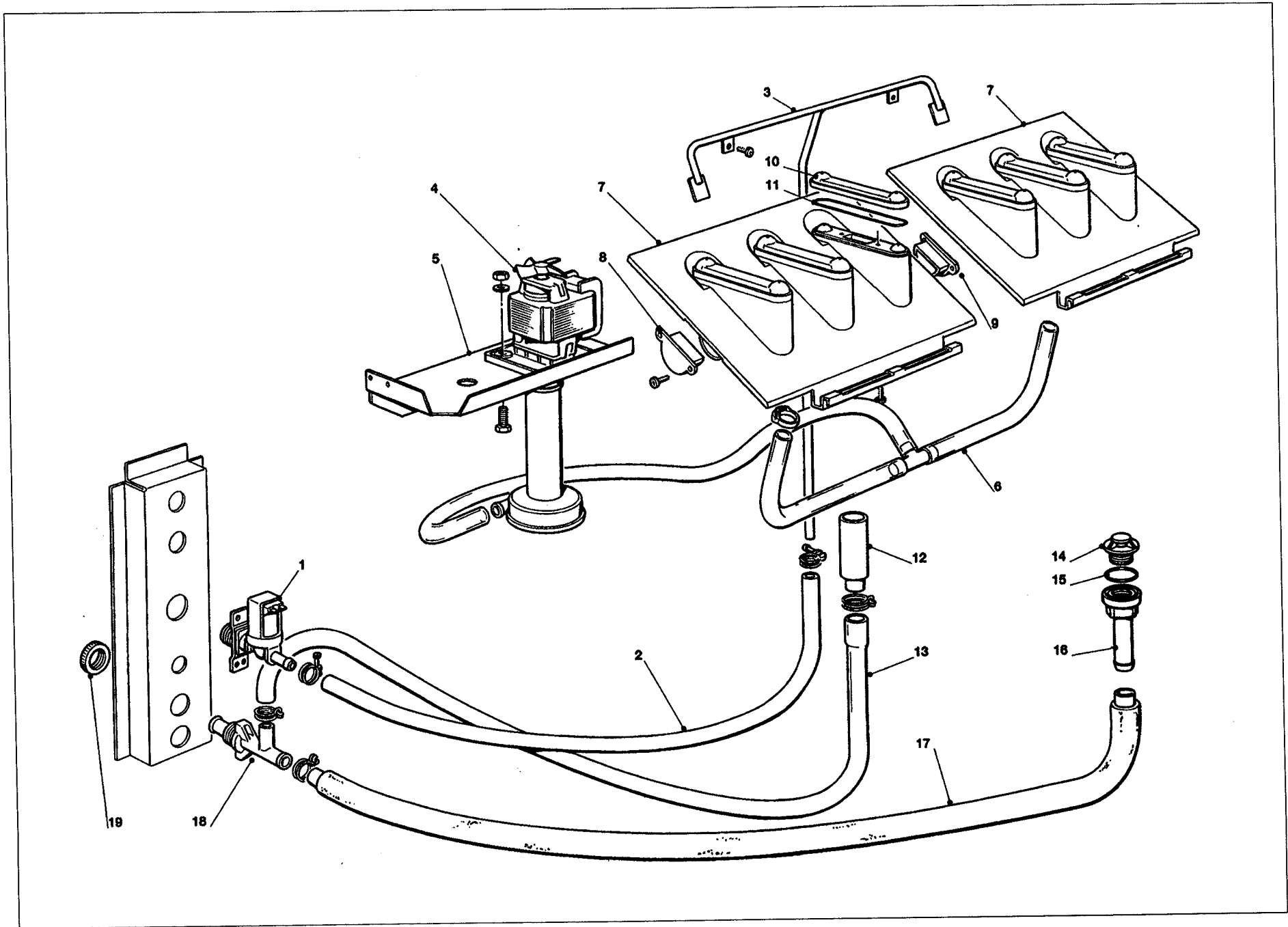
**65 - 90 - REFRIGERANT SYSTEM AIR COOLED - SISTEMA REFRIGERANTE RAFFR. AD ARIA  
CIRCUIT FRIGORIFIQUE REFROID. PAR AIR - LUFTGEKÜHLT GEFRIERSYSTEM**

| ITEM NO<br>POS NO<br>REP NO<br>REF NO | PART NO<br>CODICE<br>REFERENCE<br>STUECK NR |                        | DESCRIPTION  | DESCRIZIONE  | DESIGNATION  | BESCHREIBUNG   |
|---------------------------------------|---|------------------------|--|--|--|--|
|                                       | 65  | 90                     |  |  |  |  |
| 1                                     | 670399 02<br>670399 07                      | 670099 03<br>670099 08 | COMPRESSOR ASSY - 230/50/1<br>COMPRESSOR ASSY - 230/60/1 | ASSIEME COMPRESSORE - 230/50/1<br>ASSIEME COMPRESSORE - 230/60/1             | ENSAMBLE COMPRESSEUR - 230/50/1<br>ENSAMBLE COMPRESSEUR - 230/60/1   | KOMPRESSOR - 230/50/1<br>KOMPRESSOR - 230/60/1               |
| 5                                     | 620358 39<br>620358 78                      | 620058 42<br>620058 79 | PROTECTOR - 230/50/1<br>PROTECTOR - 230/60/1             | PROTETTORE - 230/50/1<br>PROTETTORE - 230/60/1                               | PROTECTEUR - 230/50/1<br>PROTECTEUR - 230/60/1                       | SCHUTZGERAT - 230/50/1<br>SCHUTZGERAT - 230/60/1             |
| 9                                     | 620057 44<br>620057 48                      | 620057 45<br>620057 45 | RELAY - 230/50/1<br>RELAY - 230/60/1                     | RELE - 230/50/1<br>RELE - 230/60/1   | RELAIS - 230/50/1<br>RELAIS - 230/60/1                               | RELAIS - 230/50/1<br>RELAIS - 230/60/1                       |
| 10                                    | 620167 01<br>620167 49                      | 620167 52              | START CAPACITOR - 230/50/1<br>START CAPACITOR - 230/60/1 | CONDENSATORE D'AVVIAMENTO - 230/50/1<br>CONDENSATORE D'AVVIAMENTO - 230/60/1 | CAPACITE DE DEMARRAGE - 230/50/1<br>CAPACITE DE DEMARRAGE - 230/60/1 | START KONDENSATOR - 230/50/1<br>START KONDENSATOR - 230/60/1 |
| 12                                    | 650109 00                                   |                        | VALVE BODY   | CORPO VALVOLA  | CORPS DE VANNE   | VENTILGEHAUSE  |
| 13                                    | 670012 00                                   |                        | VALVE PISTON   | PISTONCINO VALVOLA   | PISTON   | VENTILKOLBEN   |
| 14                                    | 650106 00                                   |                        | VALVE CAP  | CAPPUCCIO VALVOLA  | CAPUCHON DE VANNE  | VENTILKLAPPE   |
| 15                                    | 620405 00                                   | 620440 00              | AIR COOLED CONDENSER                                     | CONDENSATORE AD ARIA   | CONDENSEUR A AIR   | LUFT KONDENSATOR   |
| 19                                    | 620419 02                                   | 620419 04              | FAN MOTOR  | MOTORE VENTILATORE   | MOTEUR DU VENTILATEUR  | LUFTER MOTOR   |
| 20                                    | 620419 33                                   |                        | FAN BLADE  | VENTOLA  | HELICE   | FLUEGEL  |
| 25                                    | 630020 01                                   |                        | MECHANICAL FILTER  | FILTRO MECCANICO   | FILTRE MECANIQUE   | MECHANISCHFILTERN  |
| 26                                    | 620306 27<br>620306 48                      | 620306 46<br>620306 48 | HOT GAS VALVE BODY<br>HOT GAS VALVE COIL                 | CORPO VALVOLA GAS CALDO<br>BOBINA VALVOLA GAS CALDO                          | CORP VANNE GAZ CHAUD<br>BOBINE VANNE GAZ CHAUD                       | HEISSGAZ VENTILGEHAUSE<br>HEISSGAZ VENTIL SPULE              |
| 27                                    | 630003 06                                   | 630003 06              | DRIER  | FILTRO DEUMIDIFICATORE   | FILTRE DESHYDRATEUR  | TROCKNER   |
| 28                                    | 734263 07<br>734263 09                      | 784263 07<br>784263 09 | EVAPORATOR ASSY - M<br>EVAPORATOR ASSY - L               | ASSIEME EVAPORATORE - M<br>ASSIEME EVAPORATORE - L                           | ENSAMBLE EVAPORATEUR - M<br>ENSAMBLE EVAPORATEUR - L                 | VERDAMPFER - M<br>VERDAMPFER - L                             |
| 29                                    | 734444 06                                   | 784444 08              | SUCTION LINE/ACCUMULATOR                                 | ACCUMUL. E LINEA ASPIRAZIONE   | ENS. ASPIRATION/ACCUMULATEUR   | SAMMLER UND SAUGLEITUNGEN                                    |
|                                       |   |                        |  |  |  |  |



**65 - 90 - REFRIGERANT SYSTEM WATER COOLED - SISTEMA REFRIGERANTE RAFFR. AD ACQUA  
CIRCUIT FRIGORIFIQUE REFROID. PAR EAU - WASSERGEKÜHLT GEFRIERSYSTEM**

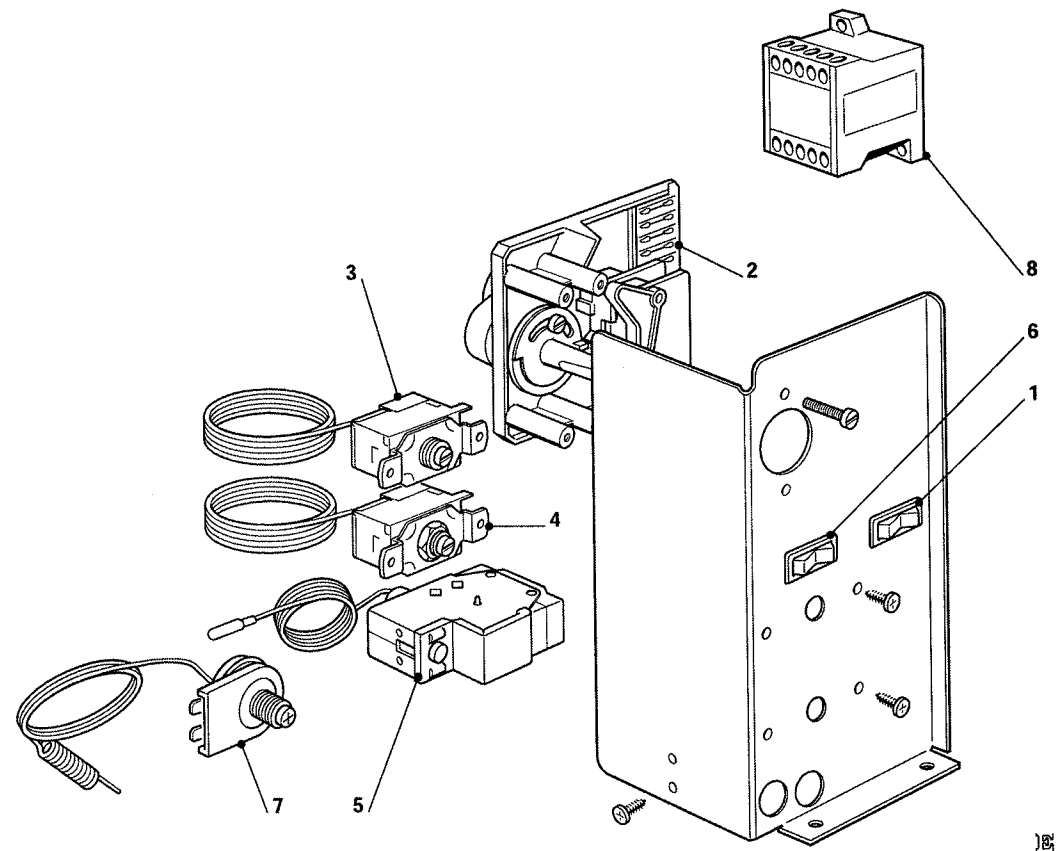
| ITEM NO<br>POS NO<br>REP. NO<br>REF. NO | PART NO<br>CODICE<br>REFERENCE<br>STUECK NR |                        | DESCRIPTION  | DESCRIZIONE  | DESIGNATION  | BESCHREIBUNG   |
|---|---|------------------------|--|--|--|--|
|   | 65  | 90                     |  |  |  |  |
| 1                                       | 670099 02<br>670099 07                      | 670099 03<br>670099 08 | COMPRESSOR ASSY - 230/50/1<br>COMPRESSOR ASSY - 230/60/1 | ASSIEME COMPRESSORE - 230/50/1<br>ASSIEME COMPRESSORE - 230/60/1     | ENSAMBLE COMPRESSEUR - 230/50/1<br>ENSAMBLE COMPRESSEUR - 230/60/1   | KOMPRESSOR - 230/50/1<br>KOMPRESSOR - 230/60/1               |
| 5                                       | 620058 39<br>620058 78                      | 620058 42<br>620058 79 | PROTECTOR - 230/50/1<br>PROTECTOR - 230/60/1             | PROTETTORE - 230/50/1<br>PROTETTORE - 230/60/1                       | PROTECTEUR - 230/50/1<br>PROTECTEUR - 230/60/1                       | SCHUTZGERA - 230/50/1<br>SCHUTZGERA - 230/60/1               |
| 9                                       | 620057 44<br>620057 48                      | 620057 45<br>620057 45 | START RELAY - 230/50/1<br>START RELAY - 230/60/1         | RELE DI AVVIAMENTO - 230/50/1<br>RELE DI AVVIAMENTO - 230/60/1       | RELAIS DE DEMARRAGE - 230/50/1<br>RELAIS DE DEMARRAGE - 230/60/1     | RELAIS - 230/50/1<br>RELAIS - 230/60/1                       |
| 10                                      | 620167 01<br>620167 49                      | 620167 52              | START CAPACITOR - 230/50/1<br>START CAPACITOR - 230/60/1 | CAPACITA D'AVVIAMENTO - 230/50/1<br>CAPACITA D'AVVIAMENTO - 230/60/1 | CAPACITE DE DEMARRAGE - 230/50/1<br>CAPACITE DE DEMARRAGE - 230/60/1 | START KONDENSATOR - 230/50/1<br>START KONDENSATOR - 230/60/1 |
| 12                                      | 650109 00                                   |                        | VALVE BODY   | CORPO VALVOLA  | CORPS DE VANNE   | VENTILGEHAUSE  |
| 13                                      | 670012 00                                   |                        | VALVE PISTON   | PISTONCINO VALVOLA   | PISTON   | VENTILKOLBEN   |
| 14                                      | 650106 00                                   |                        | VALVE CAP  | CAPPUCCIO VALVOLA  | CAPUCHON DE VANNE  | VENTILKLAPPE   |
| 15                                      | 620389 01                                   | 620331 00              | WATER COOLED CONDENSER                                   | CONDENSATORE AD ACQUA  | CONDENSEUR A EAU   | WASSERGEKÜHLT KONDENSATOR                                    |
| 18                                      | 400053 00                                   |                        | NUT  | DADO   | ECROU  | MUTTER   |
| 19                                      | 400052 00                                   |                        | FIBER WASHER   | RONDELLA IN FIBRA  | RONDELLE EN FIBRE  | FIBER SCHEIBE  |
| 21                                      | 620111 00                                   |                        | WATER REGULATING VALVE                                   | VALVOLA PRESSOSTATICA  | VANNE A EAU PRESSOSTATIQUE   | WASSERREGLERVENTIL   |
| 22                                      | 733094 03                                   |                        | REGULATING VALVE OUTLET FITTING                          | RACCORDO USCITA VALVOLA PRESS.                                       | RACCORD SORTIE VANNE PRESS.  | WASSERREGLER ABFLUSSTUECK                                    |
| 24                                      | 281900 01                                   |                        | PLASTIC TUBE-PER METER                                   | TUBO IN PLASTICA-PER METRO   | TUYAU EN PLASTIQUE-POUR METRE  | PLASTIK ROHR-PRO METER                                       |
| 29                                      | 281900 01                                   |                        | PLASTIC TUBE-PER METER                                   | TUBO IN PLASTICA-PER METRO   | TUYAU EN PLASTIQUE-POUR METRE  | PLASTIK ROHR-PRO METER                                       |
| 30                                      | 630020 01                                   |                        | MECHANICAL FILTER  | FILTRO MECCANICO   | FILTRE MECHANIQUE  | MECHANISCH FILTERN   |
| 31                                      | 620306 27<br>620306 48                      | 620306 46              | HOT GAS VALVE BODY<br>HOT GAS VALVE COIL                 | CORPO VALVOLA GAS CALDO<br>BOBINA VALVOLA GAS CALDO                  | CORP VANNE GAZ CHAUD<br>BOBINE VANNE GAZ CHAUD                       | HEISSGAZ VENTIL GEHÄUSE<br>HEISSGAZ VENTIL SPULE             |
| 32                                      | 620003 06                                   |                        | DRIER  | FILTRO DEUMIDIFICATORE   | FILTRE DESHYDRATEUR  | TROCKNER   |
| 33                                      | 784263 07<br>784263 09                      |                        | EVAPORATOR ASSY - M<br>EVAPORATOR ASSY - L               | ASSIEME EVAPORATORE - M<br>ASSIEME EVAPORATORE - L                   | ENSAMBLE ÉVAPORATEUR - M<br>ENSAMBLE ÉVAPORATEUR - L                 | VERDAMPFEREINHEIT - M<br>VERDAMPFEREINHEIT - L               |
| 34                                      | 784444 06                                   | 784444 08              | SUCTION LINE/ACCUMULATOR                                 | ACCUMUL. E LINEA ASPIRAZIONE   | ENS. ASPIRATION/ACCUMULATEUR   | SAMMLER UND SAUGLEITUNGEN                                    |
|   |   |                        |  |  |  |  |





65 - 90 - WATER SYSTEM - CIRCUITO IDRAULICO - CIRCUIT HYDRAULIQUE - WASSERSYSTEM

| ITEM NO<br>POS NO<br>REP. NO<br>REF. NO | PART NO<br>CODICE<br>REFERENCE<br>STUECK NR | DESCRIPTION  | DESCRIZIONE  | DESIGNATION  | BESCHREIBUNG                                       |
|---|---|--|--|--|--|
| 1                                       | 650105 52                                   | WATER INLET VALVE  | VALVOLA INGRESSO ACQUA   | VANNE ARRIVÉE D'EAU  | WASSEREINLAUFVENTIL                                |
| 2                                       | 281900 01                                   | WATER INLET TUBE-PER METER                               | TUBO INGRESSO ACQUA-PER METRO                                    | TUYAU ARRIVÉE D'EAU-POUR METRE   | WASSEREINLAUFROHR-PRO METER                        |
| 3                                       | 660537 00                                   | WATER DISTRIBUTOR TUBE                                   | TUBO DISTRIBUTORE D'ACQUA  | TUYAU DISTRIBUTEUR EAU   | WASSERVERTEILERROHR                                |
| 4                                       | 620430 03<br>620430 05                      | WATER PUMP ASSY - 230/50/1<br>WATER PUMP ASSY - 230/60/1 | ASSIEME POMPA - 230/50/1<br>ASSIEME POMPA - 230/60/1             | ENSAMBLE POMPE A EAU - 230/50/1<br>ENSAMBLE POMPE A EAU - 230/60/1     | WASSER PUMPE - 230/50/1<br>WASSER PUMPE - 230/60/1 |
| 5                                       | 723157 00                                   | PUMP MOTOR BRACKET                                       | SUPPORTO POMPA   | SUPPORT METALLIQUE POMPE   | PUMPENTRÄGER                                       |
| 6                                       | 610186 01                                   | WATER TUBE - PUMP TO SPRAY SYSTEM                        | TUBO MANDATA POMPA   | TUYAU - POMPE PLAQUE D'ARROSAGE  | SCHLAUCH PUMPE - SPRUHSYSTEM                       |
| 7                                       | 793129 01<br>794294 00 R                    | SPRAY PLATEN ASSY - M<br>SPRAY PLATEN ASSY - L           | ASSIEME PIASTRA SPRUZZANTE - M<br>ASSIEME PIASTRA SPRUZZANTE - L | ENS. PLAQUE PULVERISATION EAU - M<br>ENS. PLAQUE PULVERISATION EAU - L | SPRUHSYSTEM EINHEIT - M<br>SPRUHSYSTEM EINHEIT - L |
| 8                                       | 660520 03                                   | PLASTIC PLUG - M   | TAPPO IN PLASTICA - M  | BOUCHON EN PLASTIQUE - M   | PLASTIK VERSTOPFEN - M                             |
| 9                                       | 660520 02                                   | PLASTIC PLUG - M   | TAPPO IN PLASTICA - M  | BOUCHON EN PLASTIQUE - M   | PLASTIK VERSTOPFEN - M                             |
| 10                                      | 660519 01<br>660558 00                      | PLASTIC COVER - M<br>SPRAY JET - L                       | COPERCHIO IN PLASTICA - M<br>SPRUZZATORE SINGOLO - L             | COUVERCLE EN PLASTIQUE - M<br>GICLEUR - L                              | PLASTIK DECKEL - M<br>SPRÜHDÜSEN - L               |
| 11                                      | 640041 20                                   | O RING   | GUARNIZIONE OR   | JOINT TORIQUE  | SIMMER RING  |
| 12                                      | 281720 06                                   | OVERFLOW STAND PIPE                                      | TUBO TROPPO PIENEO   | TUYAU TROP PLEIN   | UEBERLAUFROHR                                      |
| 13                                      | 610176 01                                   | DRAIN TUBE - OVERFLOW                                    | TUBO SCARICO T. P.   | TUYAU EVACUATION T. P.   | ABFLUSSROHR  |
| 14                                      | 660211 01                                   | DRAIN FILTER   | FILTRO SCARICO ACQUA   | FILTRE EVACUATION EAU  | ABFLUSSFILTER                                      |
| 15                                      | 640134 00                                   | O RING   | GUARNIZIONE O R  | JOINT TORIQUE  | SIMMER RING  |
| 16                                      | 660219 01                                   | DRAIN FITTING  | RACCORDO DI SCARICO  | RACCORD EVACUATION   | ABFLUSSROHR  |
| 17                                      | 610148 10                                   | WATER DRAIN TUBE   | TUBO SCARICO ACQUA   | TUYAU ÉVACUATION EAU   | ABFLUSSROHR  |
| 18                                      | 660224 00                                   | DRAIN T FITTING  | RACCORDO DI SCARICO  | RACCORD T D'EVACUATION   | T STÜCK  |
| 19                                      | 660535 00                                   | PLASTIC RING NUT   | GHIERA IN PLASTICA   | COLLIER DE SERRAGE EN PLASTIQUE  | PLASTICK RING MUTTER                               |
|   |   |  |  |  |  |



EDIPROM  
0009.01

## 50 - 65 - 90 - CONTROL BOX - SCATOLA DI CONTROLLO - BOITE ELECTRIQUE - SCHALTSCHRANK

| ITEM NO<br>POS NO<br>REP. NO<br>REF. NO | PART NO<br>CODICE<br>REFERENCE<br>STUECK NR |           | DESCRIPTION           | DESCRIZIONE             | DESIGNATION            | BESCHREIBUNG            |
|---|---|-----------|-----------------------|-------------------------|------------------------|-------------------------|
|   | 50  | 65 - 90   |                       |                         |                        |                         |
| 1                                       | 620242 02                                   | 620242 02 | SWITCH                | INTERRUTTORE LUMINOSO   | INTERRUPTEUR LUMINEUX  | SCHALTER                |
| 2                                       | 620441 00                                   | 620441 02 | TIMER                 | TIMER                   | MINUTERIE              | TIMER                   |
| 3                                       | 620201 01                                   | 620201 01 | EVAPORATOR THERMOSTAT | TERMOSTATO EVAPORATORE  | THERMOSTAT EVAPORATEUR | VERDAMPFER THERMOSTAT   |
| 4                                       | 620209 00                                   | 620209 00 | BIN THERMOSTAT        | TERMOSTATO CONTENITORE  | THERMOSTAT CONTENEUR   | BEHÄLTER THERMOSTAT     |
| 5                                       | 620075 00                                   | 620075 00 | PRESSURE CONTROL      | PRESSOSTATO             | PRESSOSTAT             | PRESSOSTAT              |
| 6                                       | 620442 01                                   | 620442 01 | SWITCH                | COMMUTATORE             | INTERRUPTEUR           | UMSCHALTER              |
| 7                                       | 620443 00                                   | 620443 00 | SAFETY THERMOSTAT     | TERMOSTATO DI SICUREZZA | THERMOSTAT DE SECURITÉ | DRUCKWÄCHTER THERMOSTAT |
| 8                                       | ***   | 630119 02 | CONTACTOR             | TELERUTTORE             | CONTACTEUR             | SCHALTSCHÜTZ            |
|   |   |           |                       |                         |                        |                         |