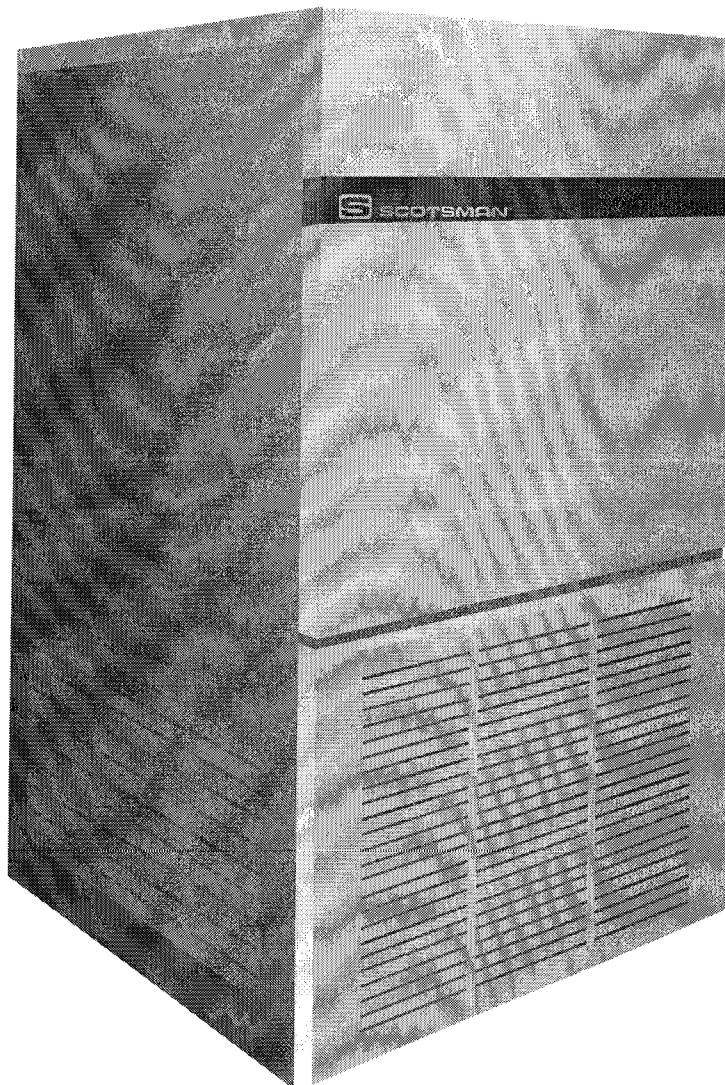
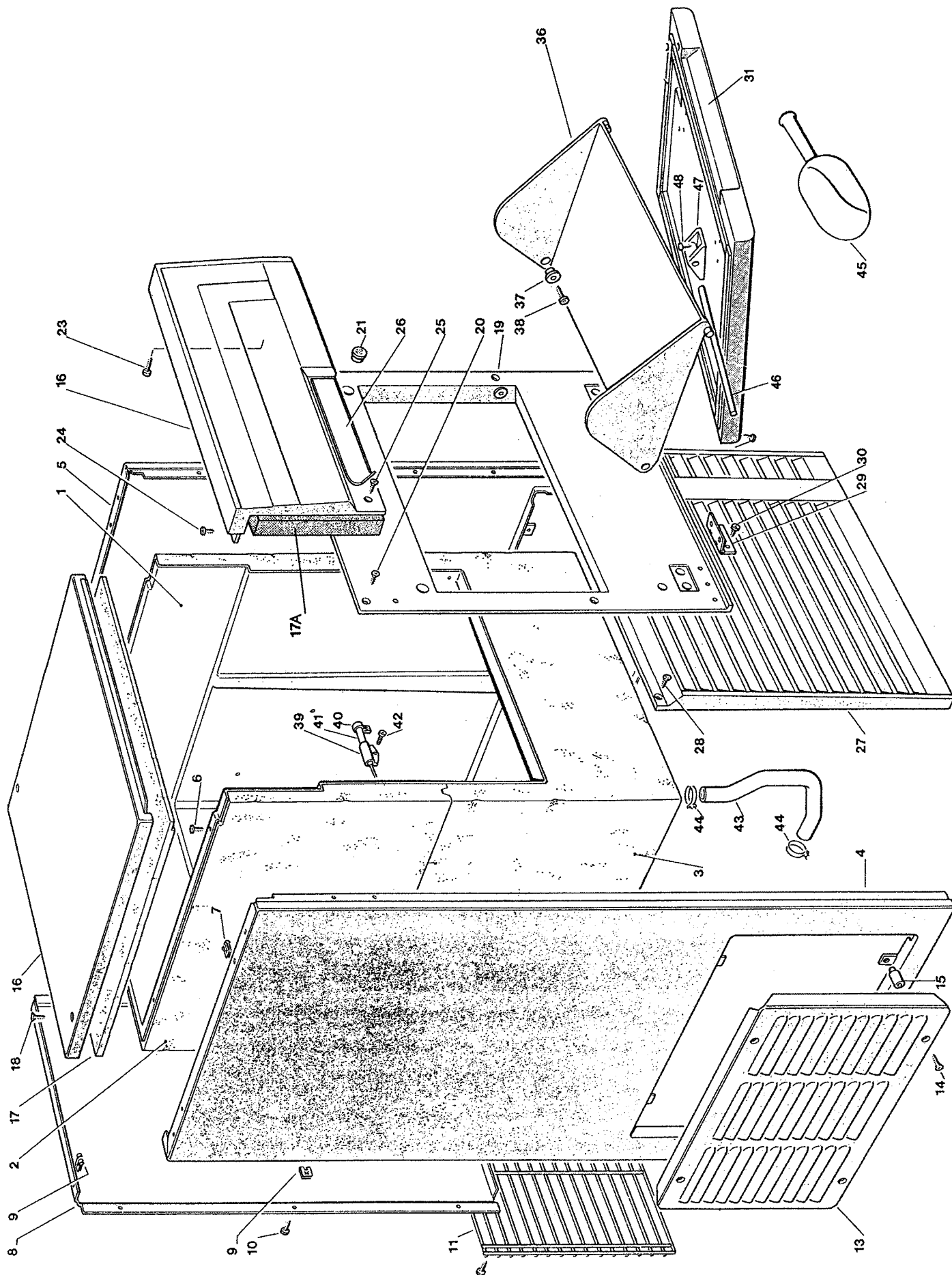


# SCOTSMAN®

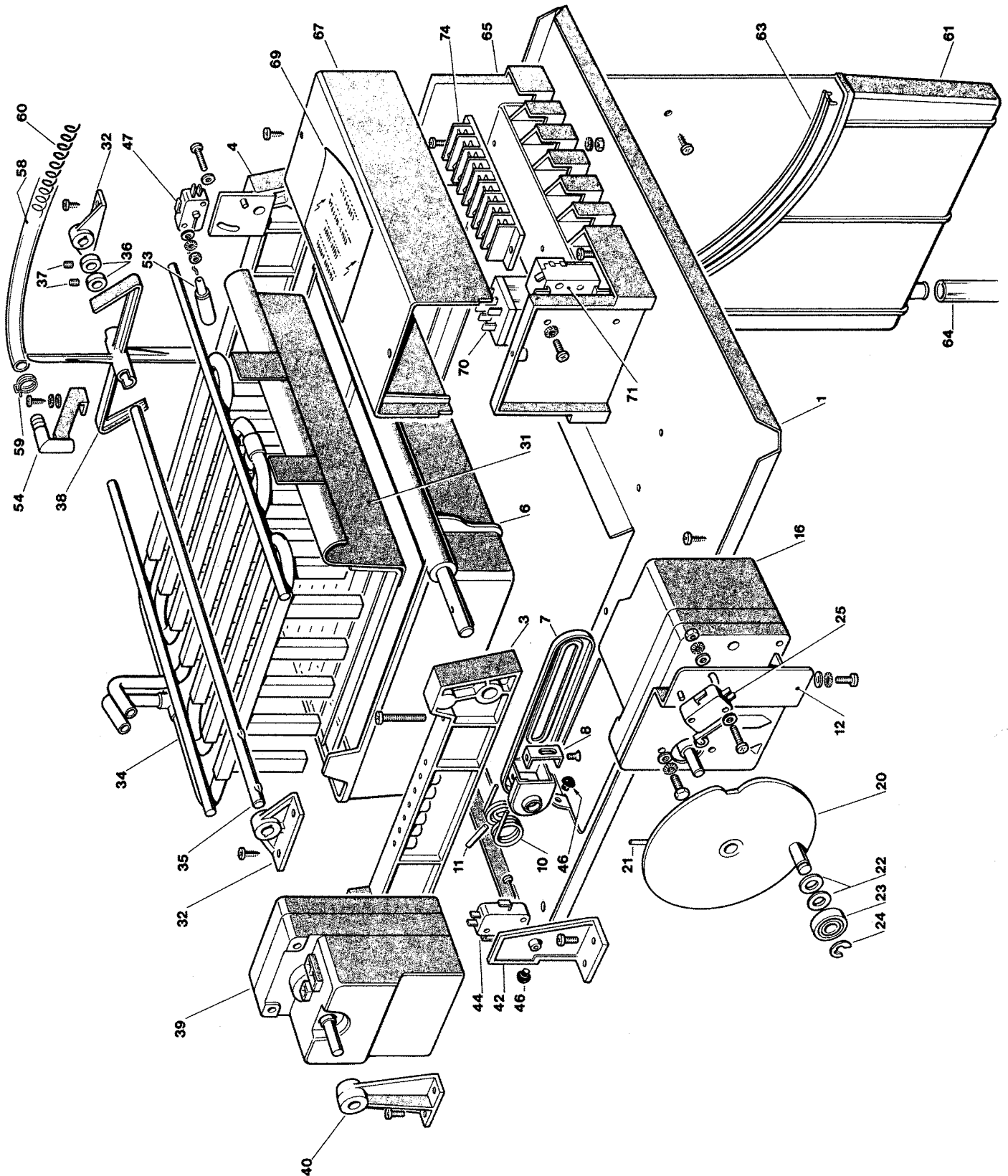


## GP 90

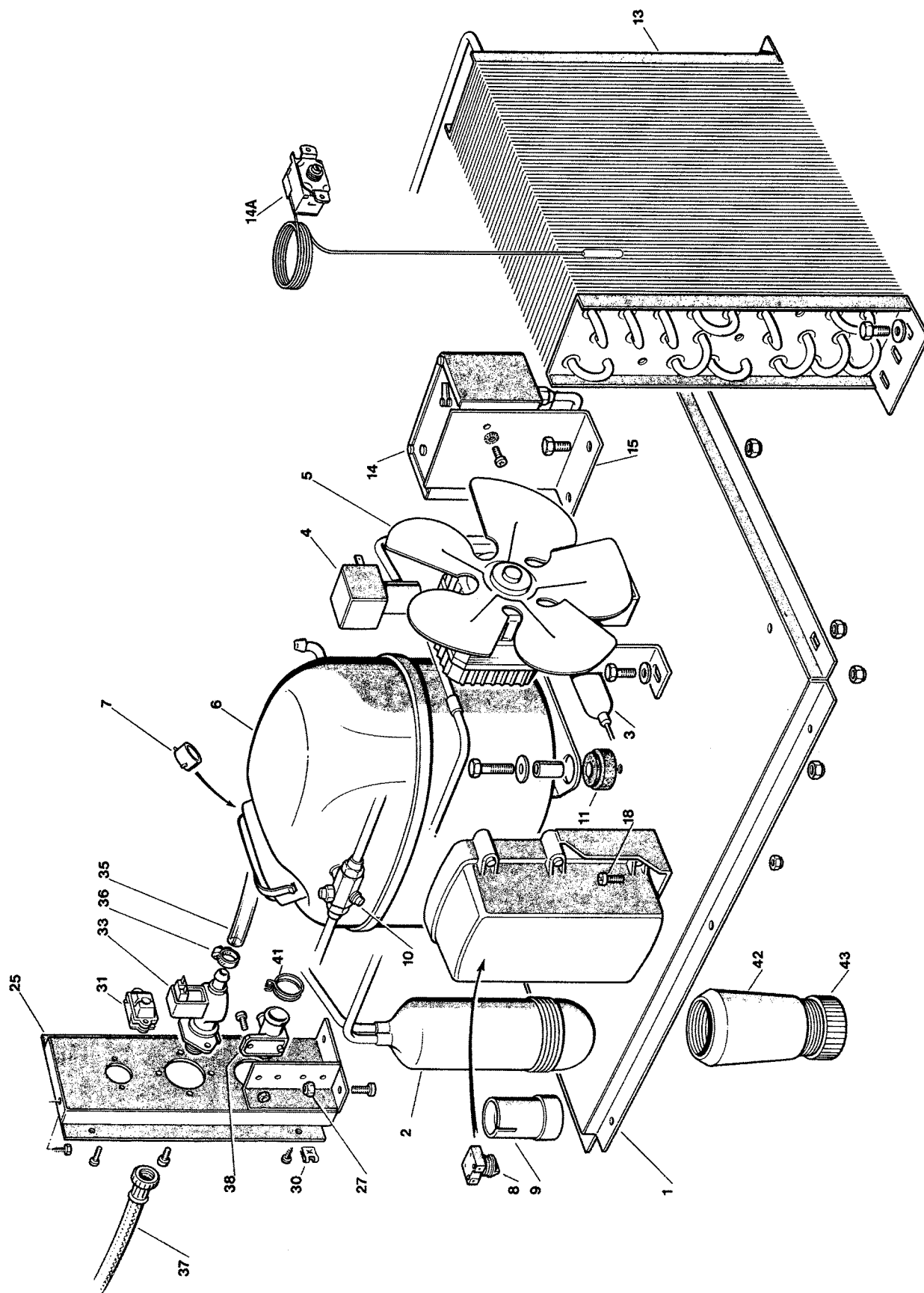
**Spare parts list**  
**Catalogo ricambi**  
**Catalogues pièces détachées**



Pos. Nr.	Codice Code	Descrizione	Description	Description	Quantità Q.ty Q.té
1-2-3	81421165/0	ASSIEME CONTENITORE	ICE BIN	ENSEMBLE CUVE	1
4	25330629/0	FIANCO SINISTRO	LEFT SIDE	PANNEAU GAUCHE	1
5	25330628/0	FIANCO DESTRO	RIGHT SIDE	PANNEAU DROITE	1
6	12728106/0	VITE	SCREW	VIS	4
7	12436400/0	PIASTRINA	PLATE	PLAQUETTE	21
8	25700030/0	PANNELLO POSTERIORE	REAR PANEL	PENNEAU POSTERIEUR	1
9	12436400/0	PIASTRINA	PLATE	PLAQUETTE	4
10	12728106/0	VITE	SCREW	VIS	6
11	81420685/0	GRIGLIA POSTERIORE	BACK GRID	GRILLE ARRIERE	1
12	12728106/0	VITE	SCREW	VIS	2
13	25610096/0	PRESE D'ARIA	AIR INTAKE	PRISE D'AIR	2
14	12727818/0	VITE	SCREW	VIS	8
15	19356001/0	DISTANZIALE	SPACER	ENTRETOISE	8
16	25161103/0	COPERCHIO	COVER	COUVERCLE	1
17	25550048/0	PANN. SUP. ISOL. COPERCHIO	INSULATOR	PANNEAU ISOLANT	1
17A	25550047/0	PANN. VERT. ISOL. COPERCHIO	INSULATOR	PANNEAU ISOLANT	1
18	12727965/0	VITE	SCREW	VIS	2
19	25165494/0	CORNICE	FRAME	CORNICHE	1
20	12728026/0	VITE	SCREW	VIS	4
21	41109519/0	MAGNETE	MAGNET	MAGNETO	2
23	12728101/0	VITE	SCREW	VIS	1
24	12728101/0	VITE	SCREW	VIS	2
25	12727818/0	VITE	SCREW	VIS	1
26	19262836/0	ETICHETTA	LABEL	ETIQUETTE	1
27	25610100/0	PRESE D'ARIA	AIR INTAKE	PRISE D'AIR	1
28	12727818/0	VITE	SCREW	VIS	2
29	19120050/0	CERNIERA	HINGE	CHARNIERE	2
30	12728106/0	VITE	SCREW	VIS	4
31	81420524/0	ASSIEME PORTA	COMPLETE DOOR	PORTE COMPLETE	1
36	25260470/0	DEFLETTORE	DEFLECTOR	DEFLECTEUR	1
37	25110913/0	BUSSOLA	BUSH	DOUILLE	1
38	12728101/0	VITE	SCREW	VIS	2
39	25726475/0	SUPPORTO	SUPPORT	SUPPORT	1
40	25726474/0	SUPPORTO	SUPPORT	SUPPORT	1
41	19797018/0	TERMOSTATO	THERMOSTAT	THERMOSTAT	1
42	12726408/0	VITE	SCREW	VIS	2
43	25790621/0	TUBO SCARICO	TUBE	TUYAU	1
44	19281332/0	FASCETTA	CLAMP	BANDE	2
45	19500100/0	PALETTA	ICE SCOOP	PALLE A GLACE	1
46	25030020/0	PERNO	SHAFT	ARBRE	1
47	25726478/0	SUPPORTO	SUPPORT	SUPPORT	2
48	12728101/0	VITE	SCREW	VIS	4



Pos. Nr.	Codice Code	Descrizione	Description	Description	Quantità Q.ty Q.tè
1	25745108/0	TELAIO EVAPORATORE	EVAPORATOR FRAME	SUPPORT DE L'EVAPORATEUR	1
2	12768410/0	VITE	SCREW	VIS	4
3	25726121/0	SUPPORTO EVAPORATORE	SUPPORT	SUPPORT	1
4	25726122/0	SUPPORTO EVAPORATORE	SUPPORT	SUPPORT	1
5-55	12727301/0	VITE	SCREW	VIS	4
6A	81423002/0	ASS. BACINELLA	PAN ASS'Y	ENSEMBLE CUVETTE	1
7	81403011/0	LEVA	LEVER	LEVIER	1
8	25325953/1	PIASTRINA	STOP PLATE	PLAQUETTE D'ARRÊT	1
9	12825292/0	VITE	SCREW	VIS	2
10	25474602/0	MOLLA	SPRING	RESSORT	1
11	25560256/0	PERNO	GUIDGEON	PIVOT	1
12	25725429/0	SUPPORTO	SUPPORT	SUPPORT	1
16	19440065/0	MOTORIDUTTORE RIBALTAMENTO	HARVEST MOTOR	MOTOREDUCTEUR DE RENVERSEMENT	1
16A	81413041/0	ASSIEME MOTORIDUTTORE/ DISCO/SUPPORTO/MICRO	MOTOR/SUPPORT/CAM/ MICRO/ASS'Y	ENSEMBLE MOTOREDUCTEUR/ SUPPORT/CAME/MICRO	1
17	12726398/0	VITE	SCREW	VIS	3
18	12540730/0	ROSETTA	WASHER	RONDELLE	3
19	12521530/0	RONDELLA	WASHER	RONDELLE	3
20	81413043/0	DISCO	CAM	CAME	1
21	12639300/0	SPINA	PIN	GOUPILLE	1
31	81423063/0	CONVOGLIATORE	DEFLECTOR	CONVOYEUR	1
32	25726115/3	SUPPORTO ALBERO PALETTE	PADDLE SHAFT SUPPORT	SUPPORT ARBRE PALETTES	2
34	81422040/0	EVAPORATORE	EVAPORATOR	EVAPORATEUR	1
35	25030011/0	ALBERO PALETTE	PADDLE SHAFT	ARBRE PALETTES	1
36	25110914/0	BUSSOLA	BUSH	DOUILLE	2
38	25545520/2	PALETTA	PADDLE	PALETTE	1
39	19440059/0	MOTORIDUTTORE PALETTE	PADDLE MOTOR	MOTOREDUCTEUR DES PALETTES	1
40	25725433/0	SUPPORTO MOTORIDUTTORE	SUPPORT	SUPPORT	1
42	25525419/0	SUPPORTO	SUPPORT	SUPPORT	1
44	19410209/0	MICRO	MICRO	MICRO	1
46	19350302/0	GOMMINO	RUBBER	CAPSULE	2
47-53	81409179/0	ASSIEME MICRO GALLEGGIANTE	MICRO/FLOAT BALL ASS'Y	ENSEMBLEMICRO/FLOTTEUR	1
49	12521520/0	RONDELLA	WASHER	RONDELLE	1
51	12540720/0	ROSETTA	WASHER	RONDELLE	1
52	12290795/0	DADO	NUT	ECROU	1
54	25300000/0	RACCORDO ENTRATA ACQUA	WATER INLET TUBE	TUYAU ENTREE EAU	1
56	12540730/0	ROSETTA	WASHER	RONDELLE	1
57	12521530/0	RONDELLA	WASHER	RONDELLE	1
58	25790620/0	TUBO H <sub>2</sub> O	TUBE	TUYAU	1
59	19280700/0	FASCETTA	CLAMP	BANDE	1
60	25474605/0	MOLLA	SPRING	RESSORT	1
61	25820080/0	VASCHETTA RECUPERO	PAN	BAC	1
63	81410690/0	GRIGLIA	GRID	GRILLE	1
64	25790604/0	TUBO SCARICO	DRAIN PIPE	TUYAU D'ECOULEMENT	1
65	25690230/0	BASE CABLAGGIO	ELECTRICAL BOX	BOITIER ELECTRIQUE	1
67	25160705/0	COPERCHIO	COVER	COUVERCLE	1
70	19620107/0	RELÉ	RELAY	RELAIS	1
71	19797018/0	TERMOSTATO	THERMOSTAT	THERMOSTAT	1
73	12540020/0	ROSETTA	WASHER	RONDELLE	2
74	33489251/0	MORSETTIERA	TERMINAL BOARD	BLOC DE RACCORDEMENT	1
76	12540020/0	ROSETTA	WASHER	RONDELLE	2
77	12290800/0	DADO	NUT	ECROU	2



Pos. Nr.	Codice Code	Descrizione	Description	Description	Quantità Q.ty Q.tè
1	81420028/0	ASSIEME BASAMENTO	BASE	CHASSIS	1
2	81428265/0	ASSIEME SCAMBIATORE	EXCHANGER ASSY	ECHANGEUR	1
3	19301215/0	FILTRO	DRIER	DESHYDRATEUR	1
4	19863033/0	VALVOLA GAS	GAS VALVE	VANNE DE GAZ	1
5	18562500/0	MOTORE PER VENTILATORE	FAN MOTOR	VENTILATEUR	1
5A	18740024/0	VENTOLA PER VENTILATORE			1
6	19165570/0	COMPRESSORE U.H. CAJ 44 61 Y	COMPRESSOR CAJ 44 61 Y	COMPRESSEUR CAJ 44 61 Y	1
7	19560134/0	PROTETTORE	PROTECTION	PROTECTEUR	1
8	19621690/0	RELÈ	RELAY	RELAIS	1
9	19180414/0	CONDENSATORE DI SPUNTO	START CONDENSER	CONDENSATEUR DE DEMARRAGE	1
13	19177061/0	CONDENSATORE	CONDENSER	CONDENSATEUR	1
14	19550372/0	PRESSOSTATO (FINO LUGLIO 2000)	PRESSURE CONTROL (TILL JULY 2000)	PRESSOSTAT (JUSQU'À JULLET 2000)	1
14A	19797025/0	TERMOSTATO CONDENSATORE (DA LUGLIO 2000)	PRESSURE THERMOSTAT (FROM JULY 2000)	THERMOSTAT CONDENSEUR (DE JUILLET 2000)	
15	25725437/0	SUPPORTO	SUPPORT	SUPPORT	1
25	81418352/0	SUPPORTO	SUPPORT	SUPPORT	1
26	12788880/0	VITE	SCREW	VIS	2
27	12291600/0	DADO	NUT	ECROU	2
28	12728106/0	VITE	SCREW	VIS	2
29	12728106/0	VITE	SCREW	VIS	2
30	12436401/0	PIASTRINA	PLATE	PLAQUE	4
31	33320253/0	FISSACAVO	CLAMP	BANDE	1
32	12726404/0	VITE	SCREW	VIS	2
33	19865502/0	ELETTROVALVOLA H <sub>2</sub> O	WATER SOLENOID VALVE	ELECTROVANNE EAU	1
34	12726404/0	VITE	SCREW	VIS	2
35	25790658/0	TUBO H <sub>2</sub> O	TUBE	TUYAU	1
36	19280153/0	FASCETTA	CLAMP	BANDE	1
37	19810111/0	TUBO ALIMENTAZIONE	WATER INLET TUBE	TUYAU ENTREE EAU	1
37	19350158/0	GUARNIZIONE TUBO	GASKET	GARNITURE	2
38	25690806/0	SCARICO H <sub>2</sub> O	WATER DRAIN PIPE	ECOULEMENT MACHINE	1
39	12788880/0	VITE	SCREW	VIS	1
40	12291600/0	DADO	NUT	ECROU	1
41	19281324/0	FASCETTA	CLAMP	BANDE	1
42	25460020/0	MANICOTTO	COUPLING	RALLONGE PIED	4
43	25570880/0	PIEDINO	LEVELLING FOOT	PIED	4

**SCOTSMAN®**  
I C E S Y S T E M S

SCOTSMAN - EUROPE  
Via Puccini, 22 - 20010 Bettolino di Pogliano (Milano) Italy  
Tel. +39-2-93.96.02.08 - Telefax +39-2-93.55.05.00

Direct Line to Service & Parts:  
Tel. +39-331-58.93.05 - Fax +39-331-58-43.06

Cod. 71503624/0 - 09/04 - Rev. 000

