

MC 1210

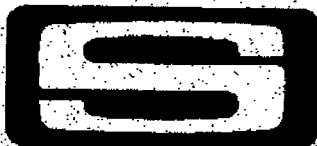
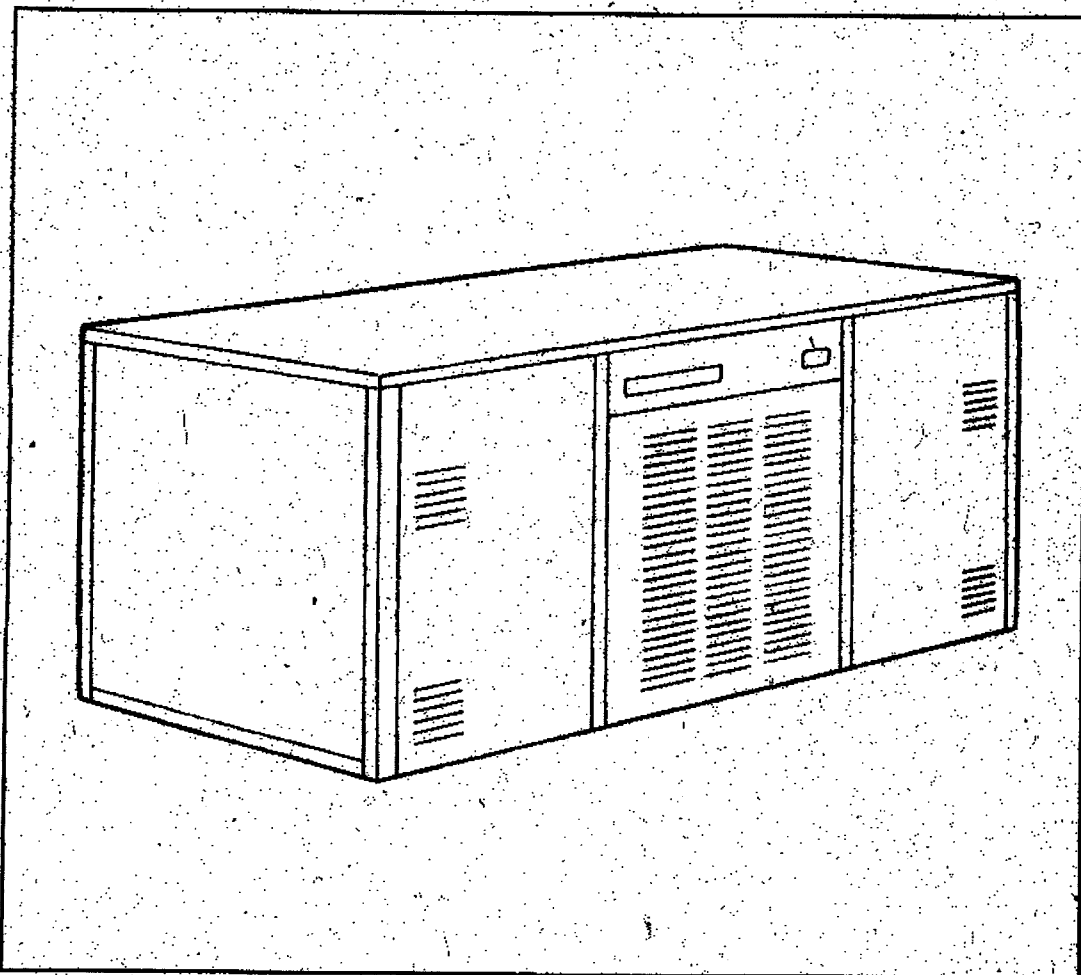
Electronic modular cuber

Spare parts list

Catalogo ricambi

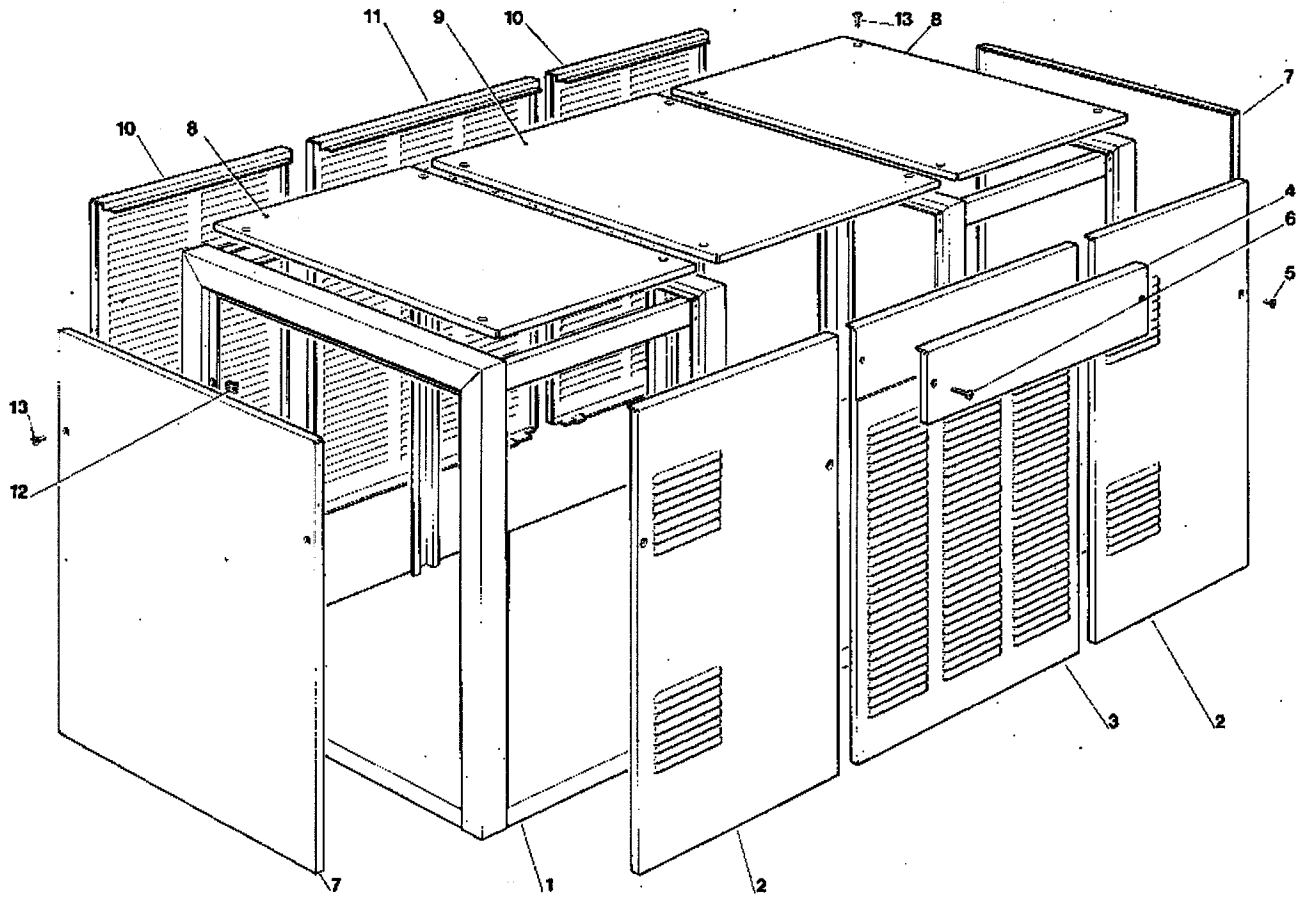
Catalogues pièces détachées

Ersatzteilkatalog



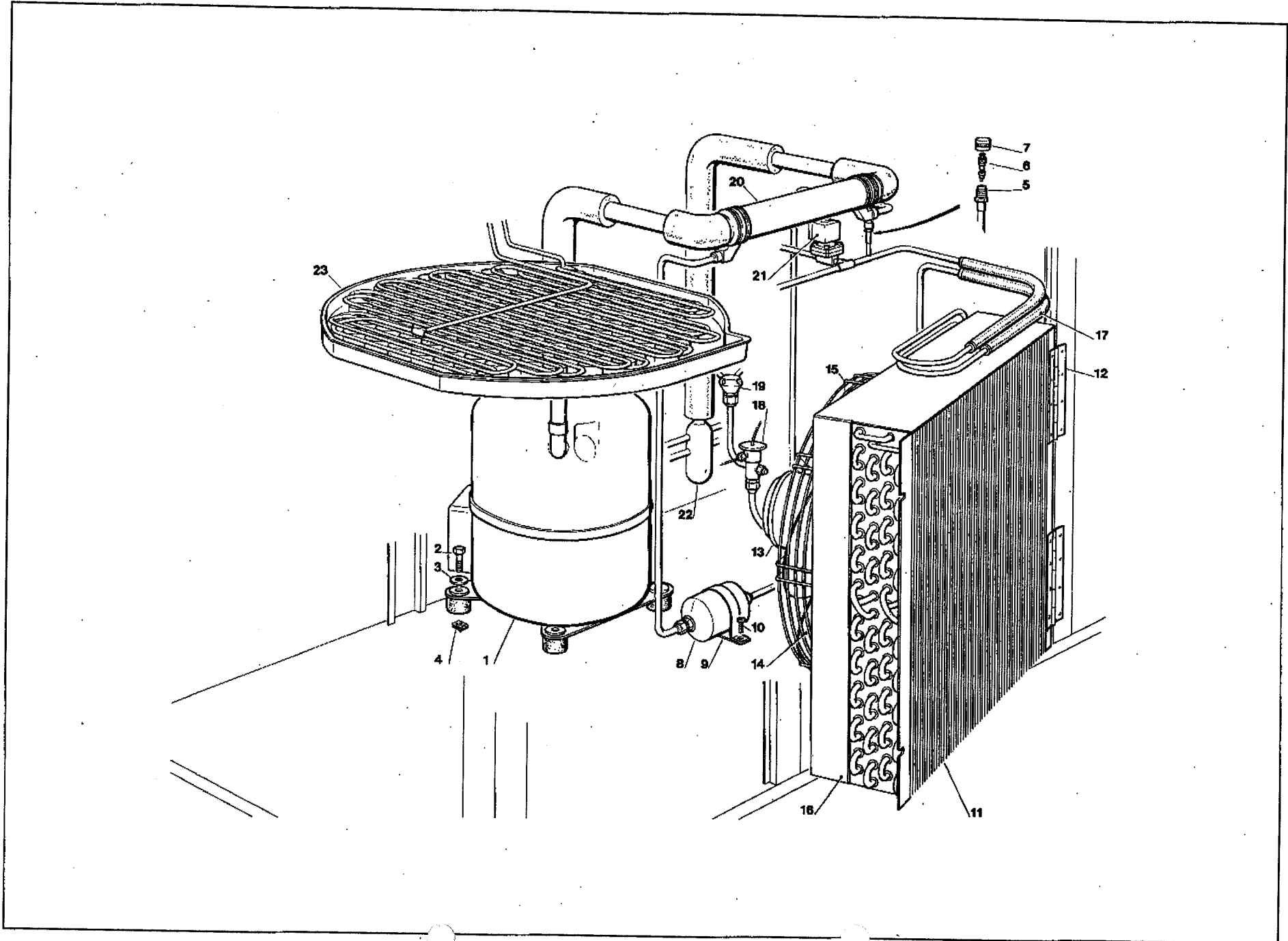
SCOTSMAN®

ICE SYSTEMS



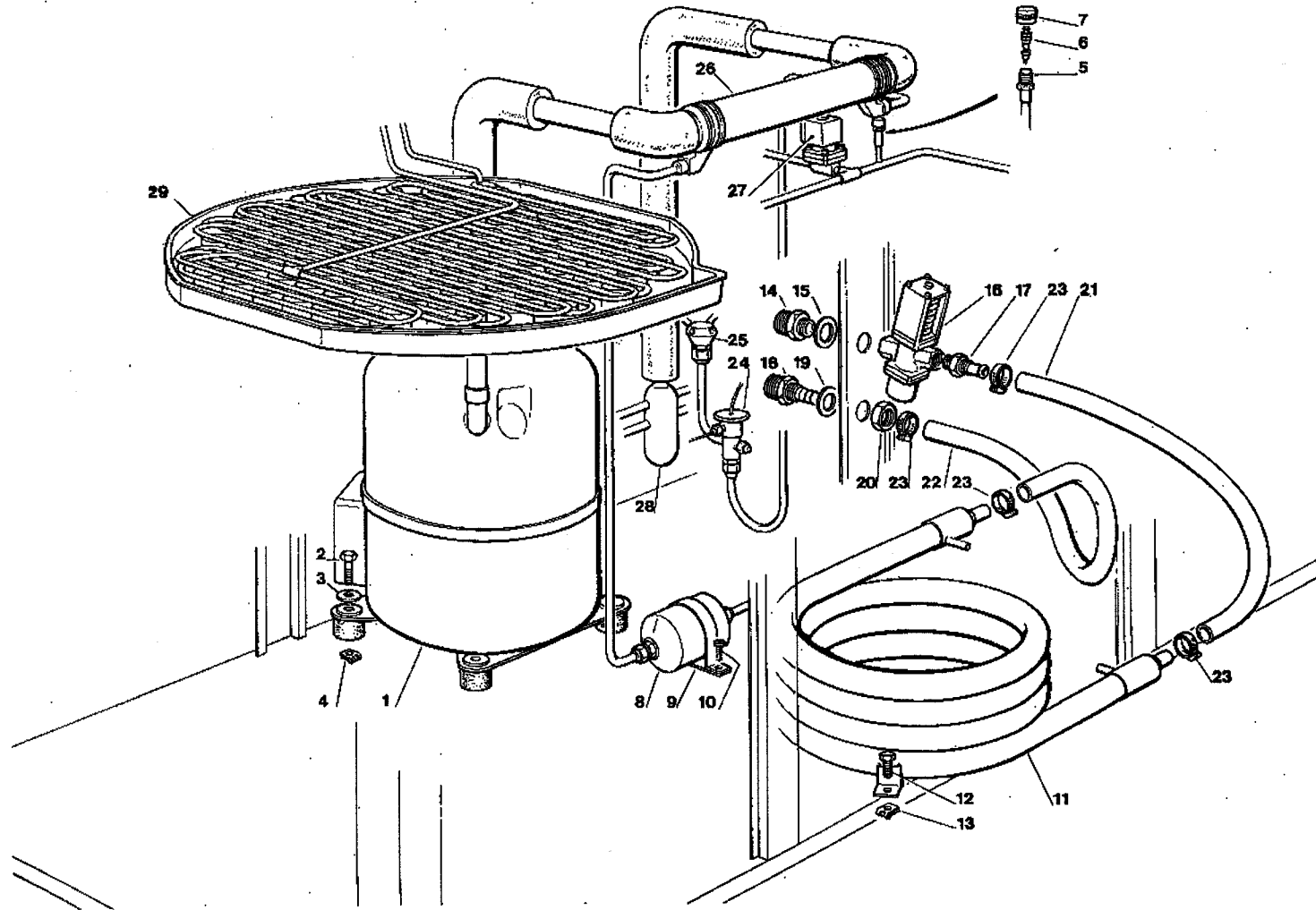
MC 1210 - UNIT PANELS - ASSIEME MOBILE - ENS. CARROSSERIE - MACHINE GEHAUSE

ITEM NO POS NO REP. NO REF. NO	PART NO CODICE REFERENCE STUECK NR.	DESCRIPTION	DESCRIZIONE	DESIGNATION	BESCHREIBUNG
1	784360 01	FRAME ASSY S.S.	ASSIEME TELAIO ACCIAIO INOX	ENSAMBLE CHASSIS ACIER INOX	CHASSIS/RAHMEN EDELSTAHL
2	702104 01	FRONT SIDE PANEL S.S.	PANNELLO FRONTALE LATERALE ACC. INOX	PANNEAU AVANT LATÉRAL ACIER INOX	SEITLICHE EDELSTAHLVORDERWAND
3	702143 01	FRONT CENTRAL PANEL S.S.	PANNELLO FRONTALE CENTRALE ACC. INOX	PANNEAU AVANT CENTRAL ACIER INOX	MITTLERE EDELSTAHLVORDERWAND
4	721500 00	UPPER CENTRAL FRONT PANEL	PANNELLO FRONT. CENTRALE SUPERIORE	PANNEAU AVANT CENTRAL SUPERIEUR	OBERE MITTLERE VORDERWAND
5	470002 06	SCREW	VITE	VIS	SCHRAUBE
6	470002 06	SCREW	VITE	VIS	SCHRAUBE
7	702041 01	SIDE PANEL S.S.	PANNELLO LATERALE ACC. INOX	PANNEAU ACIER INOX	EDELSTAHL WAND
8	702102 01	TOP SIDE PANEL S.S.	PANNELLO SUPER. LATERALE ACC. INOX	PANNEAU SUPERIEUR LATÉRAL ACIER INOX	EDELSTAHL ABDECKHAUBE
9	702102 03	TOP CENTRAL PANEL S.S.	PANNELLO SUPER. CENTRALE ACC. INOX	PANNEAU SUPERIEUR CENTRAL ACIER INOX	EDELSTAHL ABDECKHAUBE
10	702125 03	REAR SIDE PANEL S.S.	PANNELLO POSTER. LATERALE ACC. INOX	PANNEAU ARRIERE LATÉRAL ACIER INOX	RUECKWAND
11	702103 01	REAR CENTRAL PANEL S.S.	PANNELLO POSTER. CENTRALE ACC. INOX	PANNEAU ARRIERE CENTRAL ACIER INOX	RUECKWAND
12	850028 01	METAL CLIP	MADREVITE METALLICA	ECROU	MUTTER
13	470002 06	SCREW	VITE	VIS	SCHRAUBE



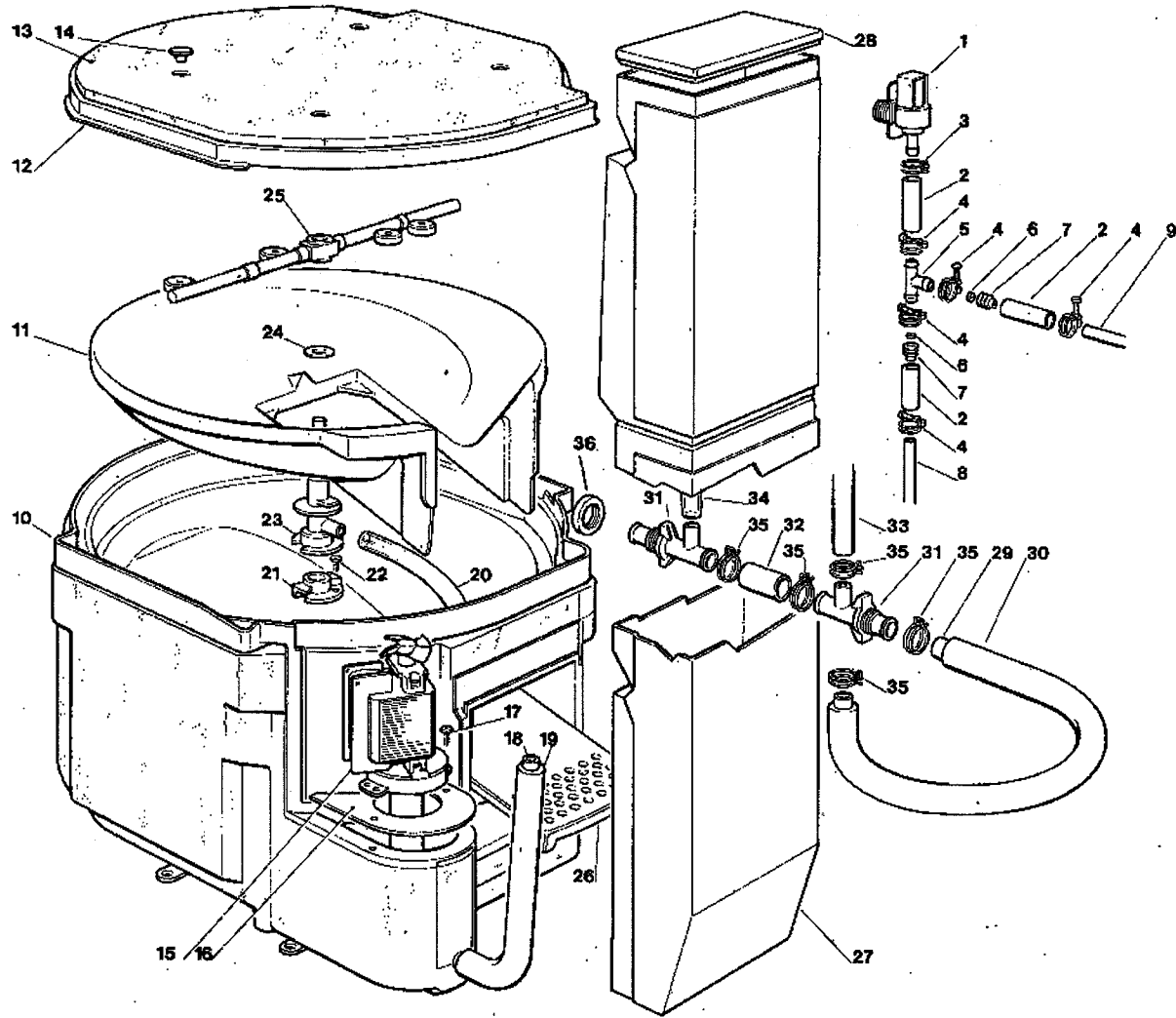
MC 1210 - REFRIGERANT SYSTEM AIR COOLED - SISTEMA REFRIGERANTE RAFFR. AD ARIA
CIRCUIT FRIGORIFIQUE REFRROID. PAR AIR - LUFTGEKÜHLT GEFRIERSYSTEM

ITEM NO POS NO REF. NO REF. NO	PART NO CODICE REFERENCE STUECK NR.	DESCRIPTION	DESCRIZIONE	DESIGNATION	BESCHREIBUNG
1	870096 02 870096 03	COMPRESSOR ASSY 380/50/3 COMPRESSOR ASSY 220/50/3	ASSIEME COMPRESSORE 380/50/3 ASSIEME COMPRESSORE 220/50/3	ENSAMBLE COMPRESSEUR 380/50/3 ENSAMBLE COMPRESSEUR 220/50/3	KOMPRESSOR 380/50/3 KOMPRESSOR 220/50/3
2	420022 00	SCREW	VITE	VIS	SCHRAUBE
3	440088 00	WASHER	RONDELLA	RONDELLE	SCHEIBE
4	650407 00	METAL CLIP	DADO IN GABBIA	ECROU	MUTTER
5	650109 00	VALVE BODY	CORPO VALVOLA	CORPS DE VANNE	VENTILGEHAUSE
6	670012 00	VALVE PISTON	PISTONCINO VALVOLA	PISTON	VENTILKOLBEN
7	650106 00	VALVE CAP	CAPPUCCIO VALVOLA	CAPUCHON DE VANNE	VENTILKLAPPE
8	870024 04	DRIER	FILTRODEUMIDIFICATORE	FILTRE DESHYDRATEUR	TROCKNER
9	704135 03	CLAMP	FASCETTA	COLLIER	KLEMME
10	470019 00	SCREW	VITE	VIS	SCHRAUBE
11	620388 30	AIR COOLED CONDENSER	CONDENSATORE AD ARIA	CONDENSEUR A AIR	LUFTGEKUEHLT KONDENSATOR
12	650163 01	HINGE	CERNIERA	CHARNIERE	GELENK *
13	620273 00	FAN MOTOR ONLY	MOTORE VENTILATORE	MOTEUR VENTILATEUR	LUFTER MOTOR
14	620274 00	FAN BLADE	VENTOLA	HELICE	FLUEGEL
15	620336 00	PROTECTION GRID	GRIGLIA DI PROTEZIONE	GRILLE DE PROTECTION	SCHUTZKORB
16	702063 01	CONDENSER SHROUD	CONVOGLIATORE	CONVOYEUR	KONDENSER GEHÄUSE
17	650313 06 650313 07	FLEXIBLE REFRIGERANT LINE-LIQUID FLEXIBLE REFRIGERANT LINE-GAS	TUBO ANTIVIBRANTE-LIQUIDO TUBO ANTIVIBRANTE-GAS	AMMORTISSEUR VIBRATION-LIQUIDE AMMORTISSEUR VIBRATION-GAS	VIBRATIONSABSORBER-FLÜSSIG VIBRATIONSABSORBER-GAS
18	620326 10	THERMOSTATIC EXPANSION VALVE	VALVOLA ESP. THERMOSTATICA	DETENDEUR THERMOSTATIQUE	EXPANSION VENTIL
19	650554 00	REFRIGERANT MANIFOLD	INIETTORE MULTIPLO	COLLECTEUR REFRIGERANT	EINSAMMLER
20	620317 01	HEAT EXCHANGER	SCAMBIATORE DI CALORE	EXCHANGEUR DE CHALEUR	WARMETAUSCHER
21	620306 06 620306 08	HOT GAS VALVE BODY HOT GAS VALVE COIL	CORPO VALVOLA GAS CALDO BOBINA VALVOLA GAS CALDO	CORP VANNE GAZ CHAUD BOBINE VANNE GAZ CHAUD	HEISSGAZ VENTIL KORP HEISSGAZ VENTIL SPULE
22	850533 01	ACCUMULATOR	ACCUMULATORE	ACCUMULATEUR	SAMMLER
23	784345 03 784346 03	EVAPORATOR ASSY - LARGE EVAPORATOR ASSY - MEDIUM	ASSIEME EVAPORATORE - GRANDI ASSIEME EVAPORATORE - MEDI	ENSAMBLE ÉVAPORATEUR - GROS ENSAMBLE ÉVAPORATEUR - MOYEN	VERDAMPFEREINHEIT - GROSSE VERDAMPFEREINHEIT - MITTLERE



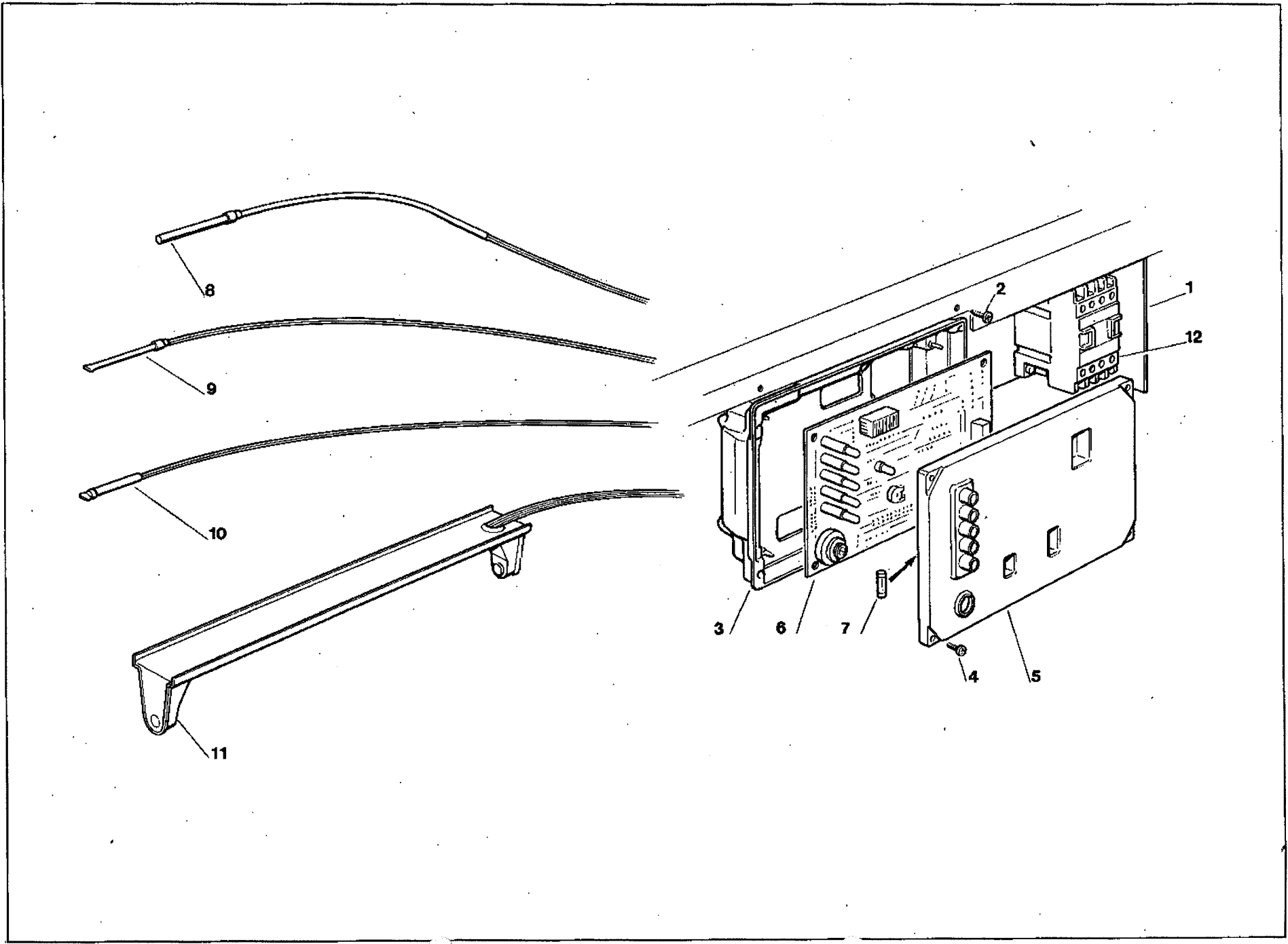
MC 1210 - REFRIGERANT SYSTEM WATER COOLED - SISTEMA REFRIGERANTE RAFFR. AD ACQUA
CIRCUIT FRIGORIFIQUE REFRROID. PAR EAU - WASSERGEKÜHLT GEFRIERSYSTEM

ITEM NO POS NO REP. NO REF. NO	PART NO CODICE REFERENCE STUECK NR.	DESCRIPTION	DESCRIZIONE	DESIGNATION	BESCHREIBUNG
1	670096 02	COMPRESSOR ASSY 380/50/3	ASSIEME COMPRESSORE 380/50/3	ENSAMBLE COMPRESSEUR 380/50/3	KOMPRESSOR 380/50/3
	670096 03	COMPRESSOR ASSY 220/50/3	ASSIEME COMPRESSORE 220/50/3	ENSAMBLE COMPRESSEUR 220/50/3	KOMPRESSOR 220/50/3
2	420022 00	SCREW	VITE	VIS	SCHRAUBE
3	440088 00	WASHER	RONDELLA	RONDELLE	SCHEIBE
4	650407 00	METAL CLIP	DADO IN GABBIA	ECROU	MUTTER
5	650109 00	VALVE BODY	CORPO VALVOLA	CORPS DE VANNE	VENTILGEHAUSE
6	670012 00	VALVE PISTON	PISTONCINO VALVOLA	PISTON	VENTILKOLBEN
7	650106 00	VALVE CAP	CAPPUCCIO VALVOLA	CAPUCHON DE VANNE	VENTILKLAPPE
8	670024 04	DRIER	FILTRODEUMIDIFICATORE	FILTRE DESHYDRATEUR	TROCKNER
9	704135 03	CLAMP	FASCETTA	COLLIER	KLEMME
10	470019 00	SCREW	VITE	VIS	SCHRAUBE
11	620390 00	WATER COOLED CONDENSER	CONDENSATORE AD ACQUA	CONDENSEUR A EAU	WASSERGEKUEHLT KONDENSATOR
12	420000 13	SCREW	VITE	VIS	SCHRAUBE
13	650029 03	METAL CLIP	DADO IN GABBIA	ECROU	MUTTER
14	733204 01	WATER INLET FITTING	RACCORDO INGRESSO ACQUA	RACCORD ARRIVÉE D'EAU	WASSEREINLAUFSTÜCK
15	400071 00	FIBER WASHER	RONDELLA IN FIBRA	RONDELLE EN FIBRE	FIBER SCHEIBE
16	620111 00	WATER REGULATING VALVE	VALVOLA PRESSOSTATICA	VANNE A EAU PRESSOSTATIQUE	WASSERREGLERVENTIL
17	733180 00	OUTLET VALVE FITTING	RACCORDO USCITA VALVOLA PRESS.	RACCORD SORTIE VALVE PRESS.	WASSERREGLEREABFLUSSSTUECK
18	733174 00	WATER DRAIN FITTING	RACCORDO SCARICO ACQUA	RACCORD ÉVACUATION EAU	WASSERABFLUSSSCHLAUCH
19	400031 01	FIBER WASHER	RONDELLA IN FIBRA	RONDELLE EN FIBRE	FIBER SCHEIBE
20	400078 00	NUT	DADO	ECROU	MUTTER
21	281900 03	PLASTIC TUBE-PER METER	TUBO IN PLASTICA-PER METRO	TUYAU EN PLASTIQUE-POUR METRE	PLASTIK ROHR-PRO METER
22	281900 03	PLASTIC TUBE-PER METER	TUBO IN PLASTICA-PER METRO	TUYAU EN PLASTIQUE-POUR METRE	PLASTIK ROHR-PRO METER
23	650499 00	PLASTIC CLAMP	FASCETTA IN PLASTICA	COLLIER EN PLASTIQUE	PLASTIK SCHELLE
24	620326 10	THERMOSTATIC EXPANSION VALVE	VALVOLA ESP. TERMOSTATICA	DETENDEUR THERMOSTATIQUE	EXPANSION VENTIL
25	650554 00	REFRIGERANT MANIFOLD	INIETTORE MULTIPIO	COLLECTEUR REFRIGERANT	EINSAMMLER
26	620317 01	HEAT EXCHANGER	SCAMBIATORE DI CALORE	EXCHANGEUR DE CHALEUR	WARMETAUSCHER
27	620306 06	HOT GAS VALVE BODY	CORPO VALVOLA GAS CALDO	CORP VANNE GAZ CHAUD	HEISSGAZ VENTIL KORP
	620306 08	HOT GAS VALVE COIL	BOBINA VALVOLA GAS CALDO	BOBINE VANNE GAZ CHAUD	HEISSGAZ VENTIL SPULE
28	650533 01	ACCUMULATOR	ACCUMULATORE	ACCUMULATEUR	SAMMLER
29	784345 03	EVAPORATOR ASSY - LARGE	ASSIEME EVAPORATORE -GRANDI	ENSAMBLE ÉVAPORATEUR - GROS	VERDAMPFEREINHEIT - GROSSE
	784346 03	EVAPORATOR ASSY - MEDIUM	ASSIEME EVAPORATORE - MEDI	ENSAMBLE ÉVAPORATEUR - MOYEN	VERDAMPFEREINHEIT - MITTLERE



MC 1210 - WATER SYSTEM - CIRCUITO IDRAULICO - CIRCUIT HYDRAULIQUE - WASSERSYSTEM

TEM NO POS NO REP. NO REF. NO	PART NO. CODICE REFERENCE STUECK NR	DESCRIPTION	DESCRIZIONE	DESIGNATION	BESCHREIBUNG
1	620213 00	WATER INLET VALVE	VALVOLA INGRESSO ACQUA	VANNE ARRIVÉE D'EAU	WASSEREINLAUFVENTIL
2	281900 04	PLASTIC TUBE-PER METER	TUBO IN PLASTICA-PER METRO	TUYAU EN PLASTIQUE-POUR METRE	PLASTIK ROHR-PRO METER
3	460017 00	CLAMP	FASCETTA	COLLIER	KLEMME
4	460017 00	CLAMP	FASCETTA	COLLIER	KLEMME
5	650291 00	T FITTING	RACCORDO A "T"	RACCORD A "T"	T STUECK
6	640022 00	FLOW CONTROL	CONTROLLO DI FLUSSO	CONTRÔLE DE DEBIT	DURCHFLOSSREGLER
7	733123 00	FLOW CONTROL BODY	CORPO CONTROLLO DI FLUSSO	CORPS CONTROLE DE DEBIT	DURCHFLOSSREGLERGEHAUSE
8	784317 03 784317 05	COPPER TUBE - RIGHT SIDE COPPER TUBE - LEFT SIDE	TUBO RAME - DX TUBO RAME - SX	TUYAU EN CUIVRE DROIT TUYAU EN CUIVRE GAUCHE	WASSEREINLAUFROHR-CUPFER-RECHTS WASSEREINLAUFROHR-CUPFER-LINKS
9	784317 02 784317 04	COPPER TUBE - RIGHT SIDE COPPER TUBE - LEFT SIDE	TUBO RAME - DX TUBO RAME - SX	TUYAU EN CUIVRE DROIT TUYAU EN CUIVRE GAUCHE	WASSEREINLAUFROHR-CUPFER-RECHTS WASSEREINLAUFROHR-CUPFER-LINKS
10	784244 00	SUMP & FREEZING CHAMBER	INVOLUCRO EVAPORATORE	ENCEINTE ÉVAPORATEUR	VERDAMPFER GEHAUSE
11	660487 00	INNER BOTTOM & CHUTE	FONDO & SCIVOLO MOBILE	PLAQUE DE FOND ET CHUTE	INNERE BASIS UND SCHUTZ
12	660491 00	EVAPORATOR COVER	COPERCHIO EVAPORATORE	COUVERCLE EVAPORATEUR	VERDAMPFER DECKEL
13	650538 00	INSULATION	ISOLAMENTO	ISOLATION	ISOLIERUNG
14	660419 00	PLASTIC PLUG	TAPPO IN PLASTICA	BOUCHON EN PLASTIQUE	PLASTIKVERSTOFF
15	670002 12	WATER PUMP ASSY	ASSIEME POMPA	ENSAMBLE POMPE A EAU	WASSER PUMPE
16	723132 01	METAL BRACKET	SUPPORTO IN METALLO	PLAQUE SUPPORT POMPE	WASSERPUMPENPLATTE
17	470026 00	SCREW	VITE	VIS	SCHRAUBE
18	610148 02	DRAIN TUBE	TUBO DI SCARICO	TUYAU EVACUATION	ABFLUSSROHR
19	744012 03	INSULATION TUBE	TUBO ISOLANTE	ISOLATION TUYAU	ROHR ISOLIERUNG
20	743113 02	PLASTIC TUBE	TUBO IN PLASTICA	TUYAU EN PLASTIQUE	PLASTIKROHR
21	660483 00	JET BEARING FLANGE	FLANGIA RACCORDO CENTRALE	BRIDE AXE PALIER DE RAMPE	FLANSCH ZENTRALVERBINDUNG
22	420014 05	SCREW	VITE	VIS	SCHRAUBE
23	660475 00	JET BEARING	RACCORDO CENTRALE	AXE PALIER DE RAMPE	SPRITZWELLEN AXE
24	440013 06	THRUST WASHER	RONDELLA DI RASAMENTO	RONDELLE	SCHEIBE
25	793127 00	SPRAY BAR	BARRA SPRUZZANTE	RAMPE PULVERISATION EAU	SPRITZWELLE
26	660488 00	REMOVABLE INNER BOTTOM	SCIVOLO INTERNO AMOVIBILE	PLAQUE CHUTE DEMONTABLE	INNERESCHUTE
27	660477 01	ICE CHUTE	CONDOTTO SCARICO CUBETTI	GOULOTTE A GLACONS	EISWURFSCHTEKANAL
28	660477 02	ICE CHUTE COVER	COPERCHIO COND. SCAR. CUBETTI	CAPOT DE GOULOTTE	KANALDECKEL
29	610128 12	WATER DRAIN TUBE	TUBO SCARICO ACQUA	TUYAU ÉVACUATION	WASSERABFLUSSRHOR
30	744012 07	INSULATION TUBE	TUBO ISOLANTE	ISOLATION TUYAU	ROHR ISOLIERUNG
31	660224 00	WATER DRAIN FITTING	RACCORDO SCARICO ACQUA	RACCORD ÉVACUATION EAU	WASSERABFLUSSANSCHLUSSE
32	743113 04	TUBE	TUBO	TUYAU	RHOR
33	610170 00	OVERFLOW DRAIN TUBE	TUBO SCARICO TROPPO PIENO	TUYAU ÉVACUATION EAU	WASSERABFLUSSRHOR
34	743034 07	VENTED STAND PIPE	TUBO DI VENTILAZIONE	TUYAU DE VENTILATION	RHOR
35	460004 00	CLAMP	FASCETTA	COLLIER	SHELLE
36	660535 00	PLASTIC RING NUT	GHIERA IN PLASTICA	COLLIER DE SERRAGE EN PLASTIQUE	PLASTIKRINGMÜTTER



MC 1210 - P.C. BOARD AND SENSOR ASSY - SCHEDA ELETTRONICA E SENSORI
ENS. CARTE ELECTRIQUE ET DETECTEURS - ELEKTRONISCHE KARTE UND TEMPERATURFUEHLERENHEIT

TEM NO POS NO REP. NO REF. NO	PART NO CODICE REFERENCE STUECK NR	DESCRIPTION	DESCRIZIONE	DESIGNATION	BESCHREIBUNG
1	725025 00	METAL BRACKET	SUPPORTO IN METALLO	SUPPORT METALLIQUE	METALTRAEGER
2	470088 00	SCREW	VITE	VIS	SCHRAUBE
3	660546 00	CONTROL BOX	SCATOLA ELETTRICA	BOITE ELECTRIQUE	SCHALTSCHRANK
4	470000 07	SCREW	VITE	VIS	SCHRAUBE
5	660547 00	CONTROL BOX COVER	COPERCHIO SCATOLA ELETTRICA	COUVERCLE BOITE DE COMMANDE	SCHALTSCHRANK DECKEL
6	620403 12	P.C. BOARD ASSY	ASSIEME SCHEDA ELETTRONICA	ENSAMBLE CARTE ELECTRONIQUE	GEDRUCKTESCHALTUNG
7	630015 09	FUSE	FUSIBILE	FUSIBLE	SCHMELZSICHERUNG
8	620404 10	EVAPORATOR TEMP. SENSOR	SENSORE TEMP. EVAPORATORE	CAPTEUR TEMP. EVAPORATEUR	VERDAMPFERTEMPERATURFUEHLER
9	620404 01	CONDENSER TEMP. SENSOR	SENSORE TEMP. CONDENSATORE	CAPTEUR TEMP. CONDENSEUR	KONDENSATORTEMPERATURFUEHLER
10	620404 02	AMBIENT TEMP. SENSOR	SENSORE TEMP. AMBIENTE	CAPTEUR TEMP. AMBIANCE	RAUMTEMPERATURFUEHLER
11	783167 01	ICE LEVEL CONTROL ASSY	ASS. CONTR. LIVELLO GHIACCIO	ENS. DETECTEUR NIVEAU GLACE	EISNIVEAUFUEHLEREINHEIT
12	630124 05 630124 14	CONTACTOR 380/50/3 CONTACTOR 220/50-60/3	TELERUTTORE 380/50/3 TELERUTTORE 220/50-60/3	CONTACTEUR 380/50/3 CONTACTEUR 220/50-60/3	SCHALTSCHÜTZ 380/50/3 SCHALTSCHÜTZ 220/50-60/3

**COMPRESSOR AND ELECTRIC COMPONENTS CHART - TABELLA COMPRESSORI E COMPONENTI ELETTRICI
TABLEAU COMPRESSEUR ET COMPOSANTS ELECTRIQUES- KOMPRESSOR UND ELEKTRISCHEKARTE**

MODEL MODELLO MODELE MODELL	VOLTS TENSIONE TENSION SPANNUNG	COMPRESSOR MODEL MODELLO COMPRESSORE TYPE DU COMPRESSEUR KOMPRESSOR TYP	COMPRESSOR COMPRESSORE COMPRESSEUR KOMPRESSOR	CONTACTOR TELERUTTORE CONTACTEUR SCHALTSCHÜTZ	WATER PUMP POMPA POMPE A EAU WASSER PUMPE	FAN MOTOR ONLY MOTORE VENTILATORE MOTEUR VENTILATEUR LUFTER MOTOR	WATER INLET VALVE VALV. INGR. ACQUA V.E.M. ARRIVÉE EAU WASSEREIN.VENTIL	HOT GAS VALVE VALVOLA GAS CALDO V.E.M. GAZ CHAUDS HEISSGAZ VENTIL	P.C. BOARD SCHEDA ELETTRONICA CARTE ELECTRONIQUE ELEKTRONISCHE KARTE
MC 1210	220/60/3	U.H. TAG 4561 T	670096 03	620124 14	670002 14	620273 00	620213 00	620306 06	620403 12
MC 1210	220/50/3	U.H. TAG 4561 T	670096 03	620124 14	670002 12	620273 00	620213 00	620306 06	620403 12
MC 1210	380/50/3	U.H. TAG 4561 T	670096 02	620124 05	670002 12	620273 00	620213 00	620306 06	620403 12