

# ACM55 - ACM85

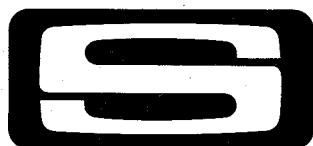
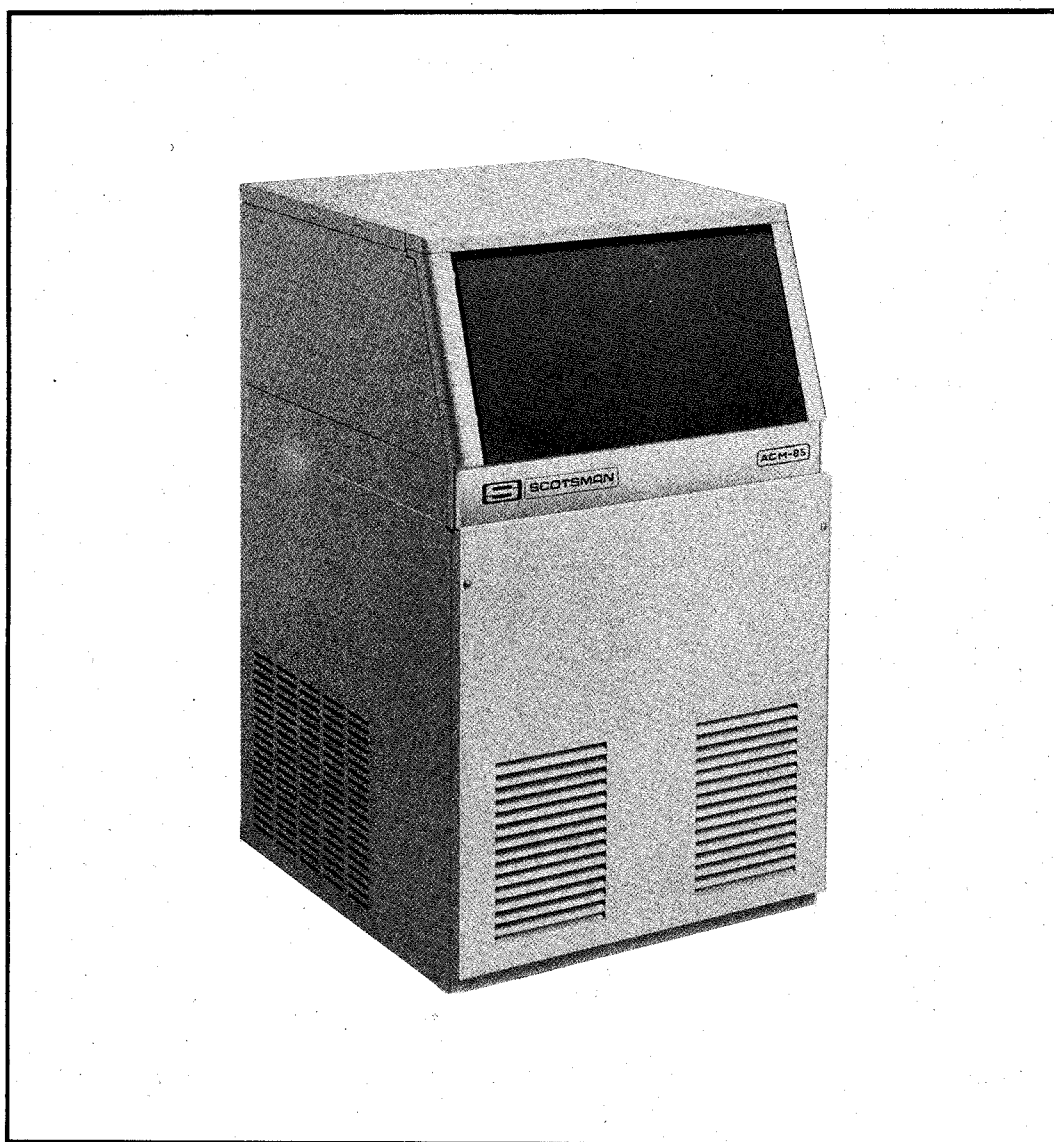
## Cuber with storage

Spare parts list

Catalogo ricambi

Catalogues pièces détachées

Ersatzteilkatalog

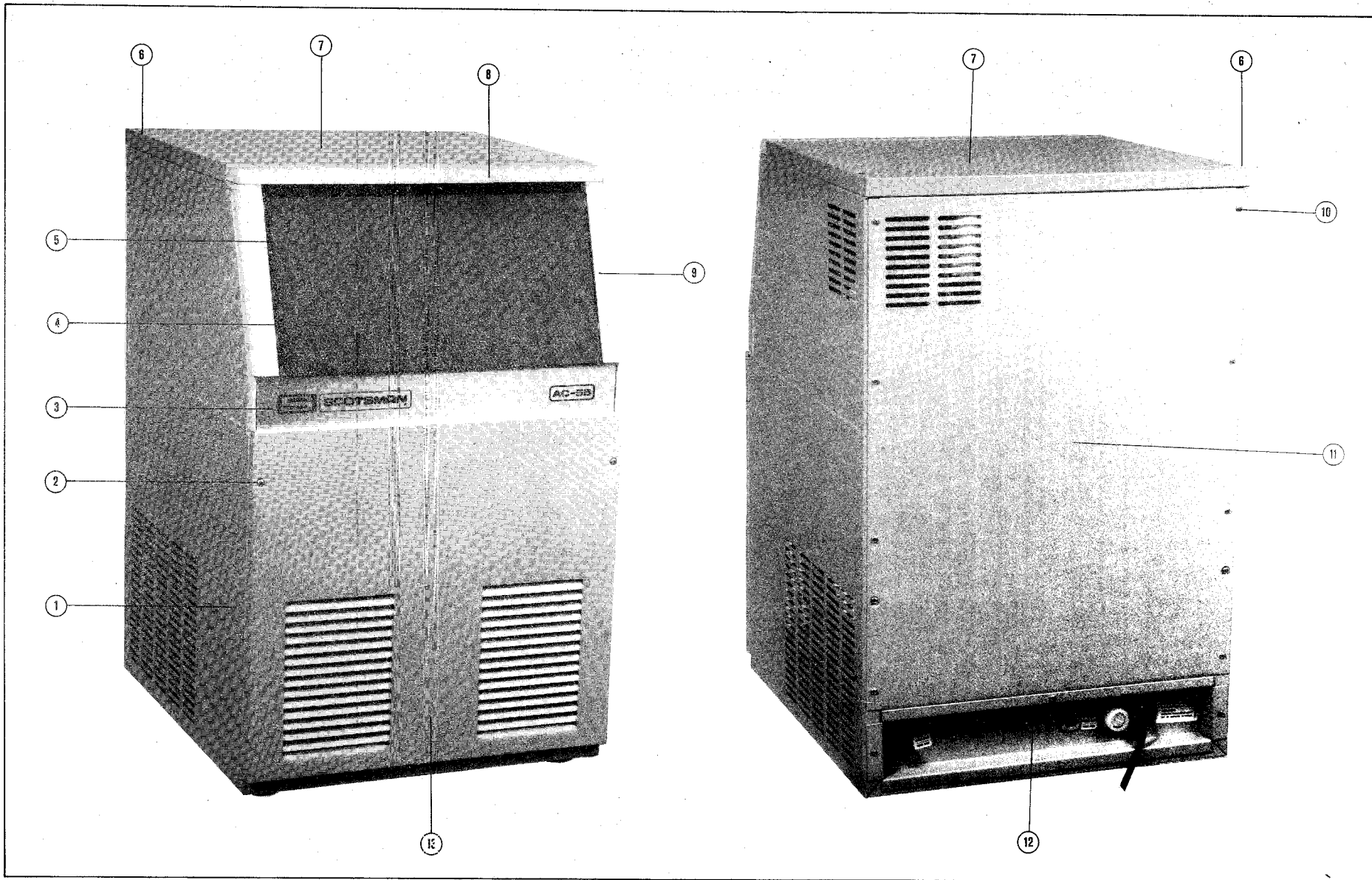


**SCOTSMAN®**

**ICE SYSTEMS**

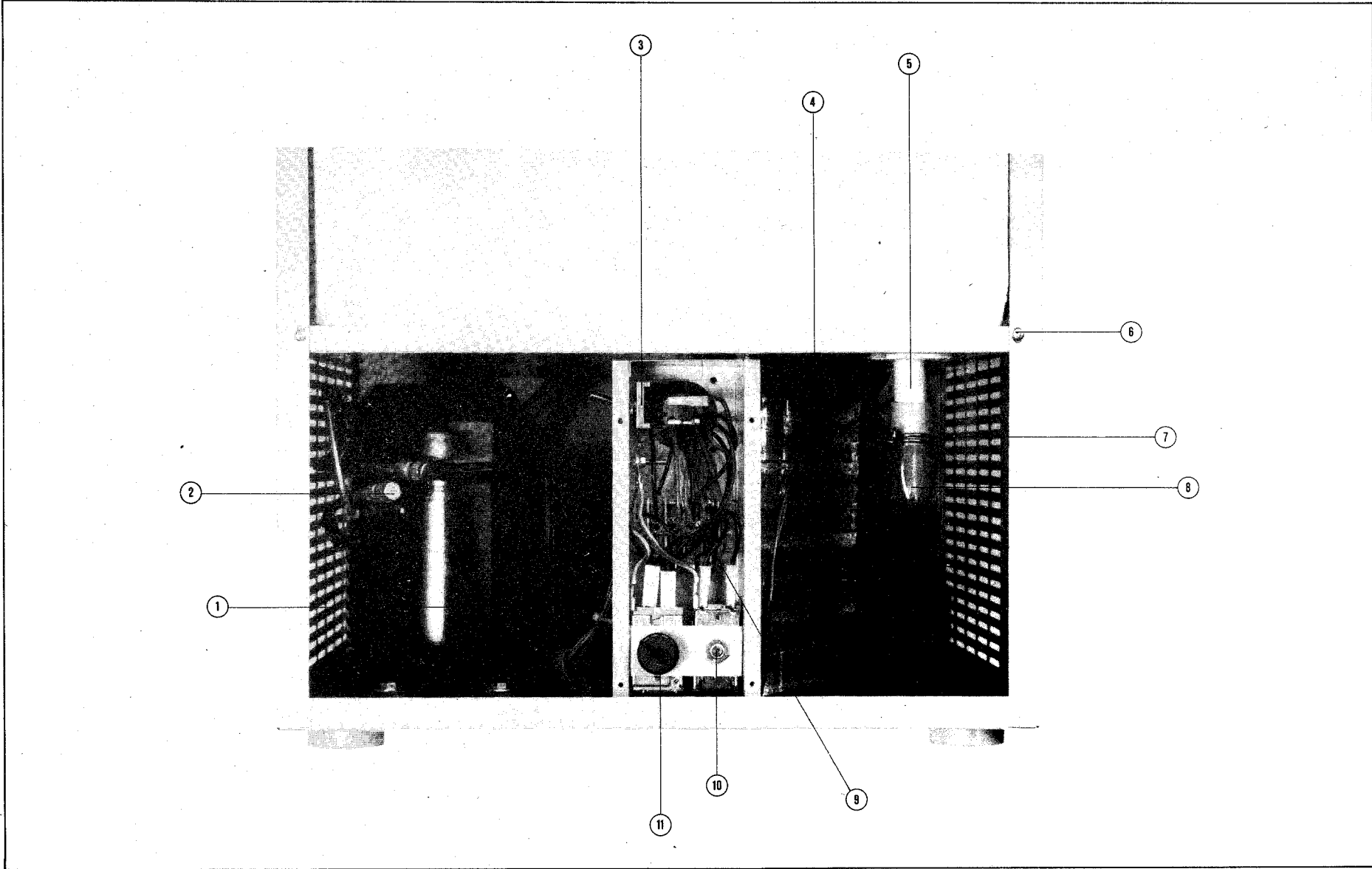
---

---



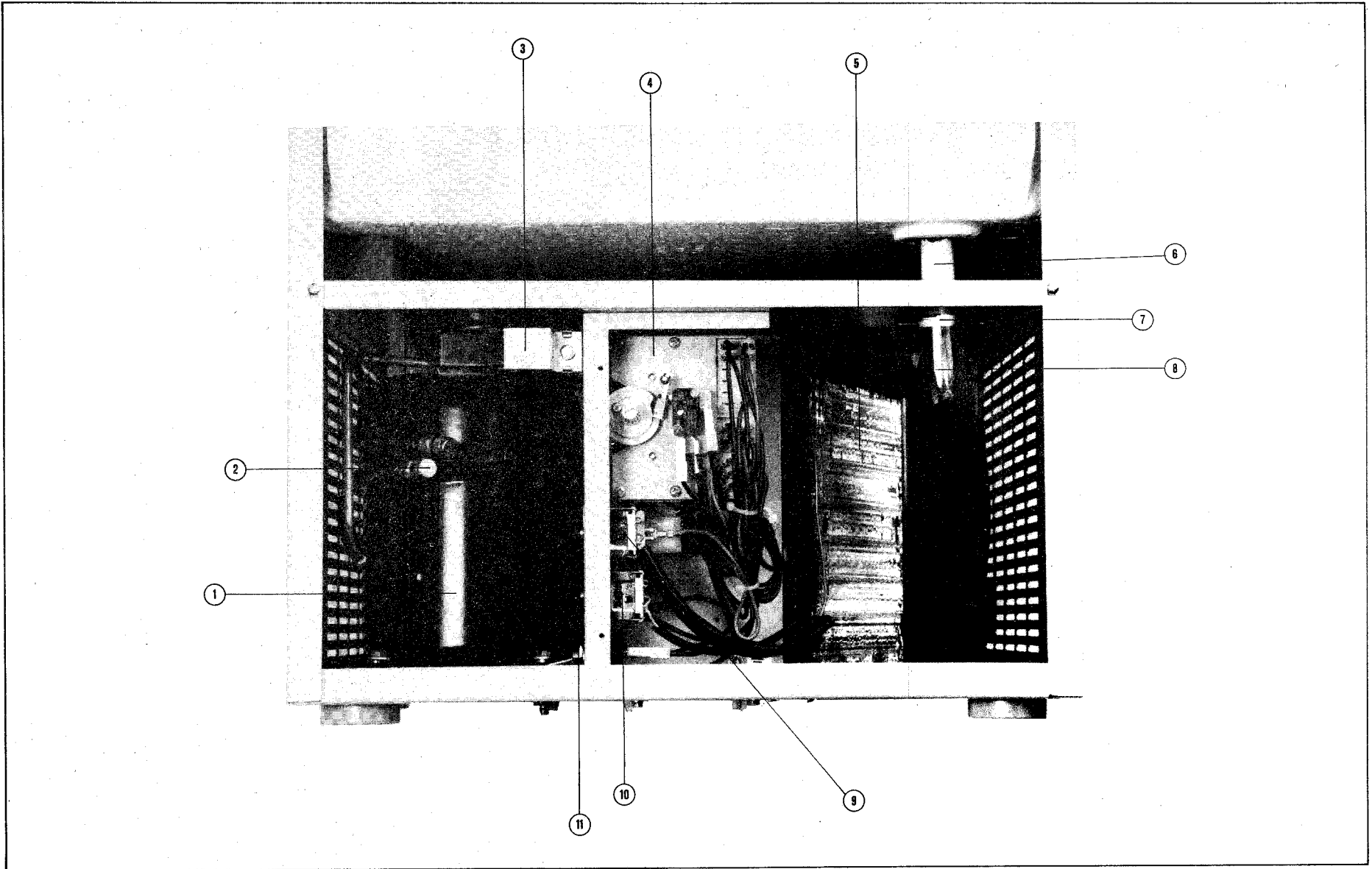
## ACM 55 - ACM 85 - UNIT PANELS - ASSIEME MOBILE - ENS. CARROSSERIE - MACHINER WAENDE

ITEM NO POS. NO REP. NO REF. NO	PART NO./CODICE REFERENCE/STUECK NR.		DESCRIPTION	DESCRIZIONE	DÉSIGNATION	BESCHREIBUNG
	ACM 55	ACM 85				
1	781306.06 —	781306.08 781306.09	CASE ASSY CASE ASSY S.S.	ASSIEME TELAIO ASSIEME TELAIO INOX	CHASSIS CHASSIS EN INOX	GEHAUSE EDELSTAHL-GEHAUSE
2	470002.04		SCREW	VITE	VIS	SCHRAUBE
3	721451.01	721451.02	S.S. FRONT PLATE	PANNELLINO FRONTALE INOX	BANDE ENTRETOISE EN INOX	EDELSTAHL-BANDSTREIFEN
4	792009.05		BIN DOOR ASSY	ASSIEME SPORTELLO	ENS. PORTE CABINE	SPEICHERTUER
5	660351.00 660286.00		BIN DOOR PIN BUSHING	PERNO SPORTELLO BUSSOLA	PIVOT PORTE CABINE BAGUE	SPEICHERTUER STIFT KLEMMLEISTE
6	470002.04		SCREW	VITE	VIS	SCHRAUBE
7	701939.00 — 650530.00 * 742092.00 *	701939.00 701939.01	TOP PANEL TOP PANEL S.S. TOP INSULATION STORAGE BIN PLASTIC COVER	PANNELLO SUPERIORE PANNELLO SUPERIORE INOX ISOLAMENTO SUPERIORE COPERTURA CELLA	PANNEAU SUPERIEUR PANNEAU SUPER. INOX ISOLATION COUVERCLE CABINE DE STOCK.	ABDECKHAUBE ABDECKHAUBE EDELSTAHL ISOLIERUNG EISSPEICHERDECKEL
8	660468.00		PLASTIC FRONT LINER	FRONTALINO IN PLASTICA	FRONTAL EN PLASTIC	PLASTIK VORDERTEIL
9	782070.00		INSULATED STORAGE BIN	CELLA ISOLATA	CABINE STOCKAGE ISOLÉE	EISSPEICHER ISOLIERTE
10	470007.00		SCREW	VITE	VIS	SCHRAUBE
11	701938.00 —	701938.02 701938.03	REAR PANEL REAR PANEL S.S.	PANNELLO POSTERIORE PANNELLO POSTERIORE INOX	PANNEAU ARRIERE PANNEAU ARRIERE INOX	RUECKWAND RUECKWAND EDELSTAHL
12	701945.00 — 701945.01		METAL BRKT FOR HOOK UP METAL BRKT FOR HOOK UP S.S.	SUPPORTO ATTACCHI SUPPORTO ATTACCHI INOX	SUPPORT BRANCHEMENTS SUPPORT BRANCHEMENTS INOX	METALLTRAEGER METALLTRAEGER EDELSTAHL
13	701937.00 —	701937.02 701937.03	FRONT PANEL FRONT PANEL S.S.	PANNELLO FRONTALE PANNELLO FRONTALE INOX	PANNEAU AVANT PANNEAU AVANT INOX	VORDERWAND VORDERWAND EDELSTAHL
	660466.00 660258.00		LEG LEG LEVELLER	PIEDINI VITE DI REGOLAZIONE	PIED VIS DE RÉGLAGE DES PIEDS	FUESSE NIVELLIERUNGSHUELSE
			* NOT SHOWN	* NON MOSTRATO	* NON FIGURÉ	* NIGHT ABGEBILDET



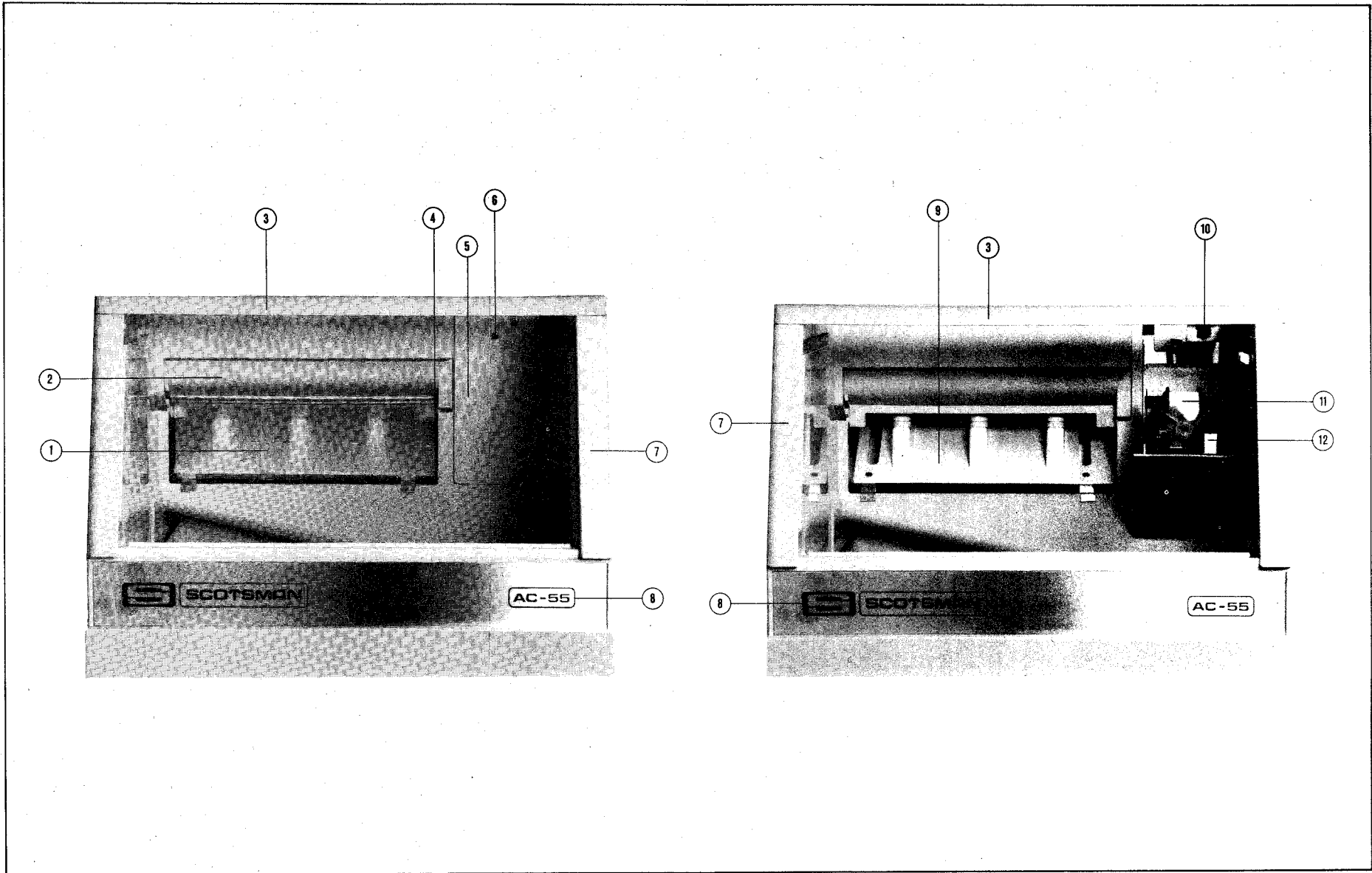
**ACM 55 - CONTROL BOX AND FRONT CLOSED VIEW - SCATOLA ELETTRICA E VISTA FRONTALE INFERIORE**  
**BOITIER ELECTRIQUE ET VUE FRONTALE INFERIEURE - ELEKTRISCHE KASTEN UND UNTER-VORDERANSICHT**

ITEM NO POS. NO REF. NO	PART NO. CODICE RÉFÉRENCE STUECK NR.	DESCRIPTION	DESCRIZIONE	DÉSIGNATION	BESCHREIBUNG
1	670066.05 620057.25 620058.35	COMPRESSOR ASSY RELAY PROTECTOR	ASS. COMPRESSORE RELE PROTETTORE	ENS. COMPRESSEUR RELAIS PROTECTEUR	KOMPRESSOR RELAIS SCHUTZGERAT
2	670012.00 650109.00 650106.00	VALVE PISTON VALVE BODY VALVE CAP	PISTONCINO VALVOLA CORPO VALVOLA CAPPuccio VALVOLA	PISTON CORPS DE VANNE CAPUCHON DE VANNE	VENTILKOLBEN VENTILGEHAUSE VENTILKLAPPE
3	620033.00	SWITCH	INTERRUTTORE	INTERRUPTEUR	SCHALTER
4	620276.02	AIR COOLED CONDENSER	CONDENSATORE AD ARIA	CONDENSEUR A AIR	LUFT KONDENSATOR
5	660219.01	DRAIN PORT	RACCORDO SCARICO	RACCORD EVACUATION	ABFLUSSROHR
6	470088.00	SCREW	VITE	VIS	SCHRAUBE
7	460004.00	CLAMP	FASCETTA	COLLIER	SHELLE
8	610148.10	DRAIN TUBE	TUBO DI SCARICO	TUYAU EVACUATOR	ABFLUSSROHR
9	630114.01	TERMINAL BOARD	MORSETTIERA	BORNIER	KLAMMERNSPLETTE
10	630005.00	BIN THERMISTAT	TERMOSTATO CONTENITORE	THERMOSTAT CABINE	SPEICHERTHERMOSTAT
11	620264.02	EVAPORATOR THERMOSTAT	TERMOSTATO EVAPORATORE	THERMOSTAT ÉVAPORATEUR	VERDAMPFER THERMOSTAT



**ACM 85 - CONTROL BOX AND FRONT CLOSED VIEW - SCATOLA ELETTRICA E VISTA FRONTALE INFERIORE  
BOITIER ELECTRIQUE ET VUE FRONTALE INFERIEURE - ELEKTRISCHE KASTEN UND UNTER-VORDERANSICHT**

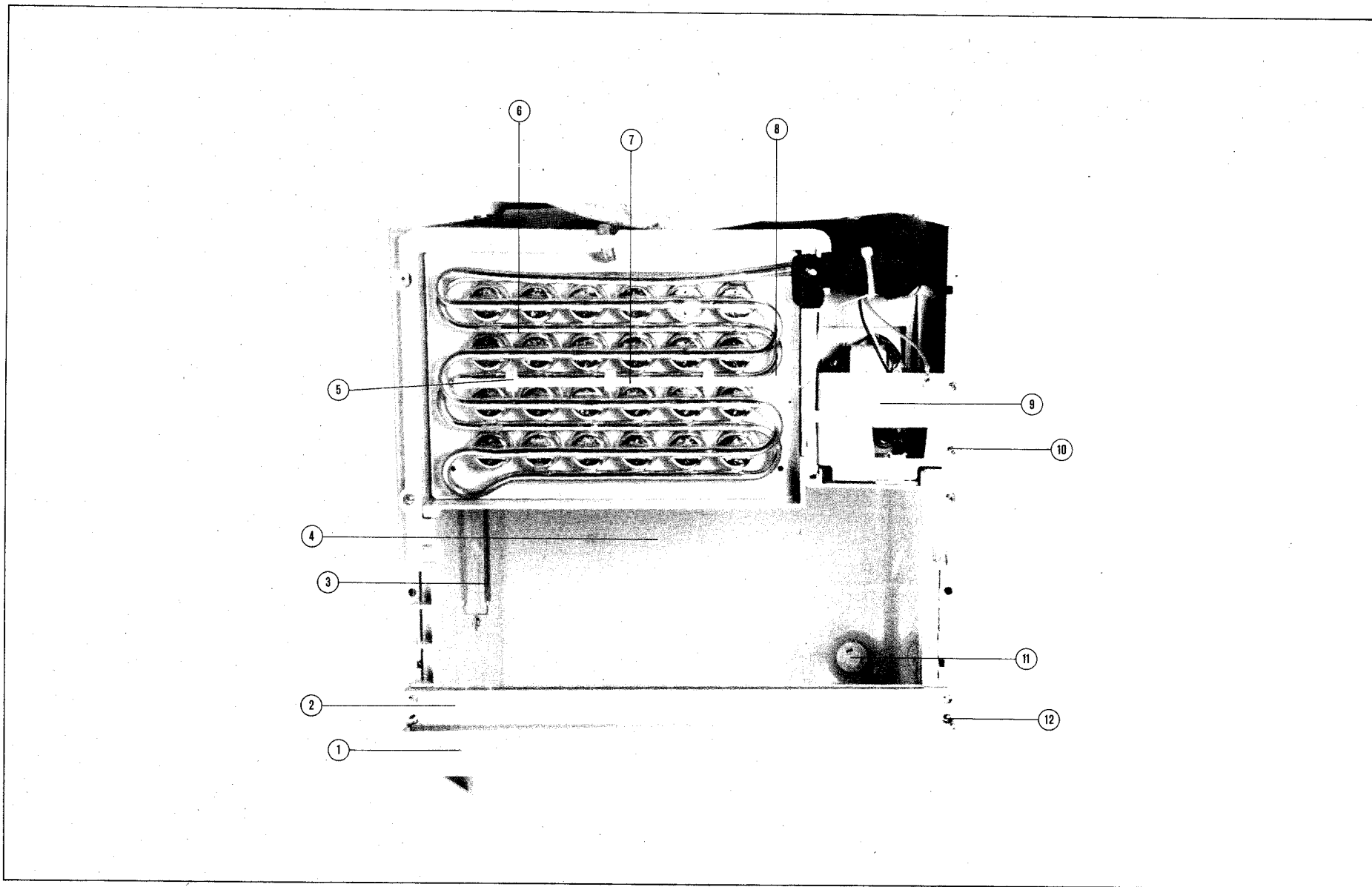
ITEM NO POS. NO REP. NO REF. NO	PART NO. CODICE RÉFÉRENCE STUECK NR.	DESCRIPTION	DESCRIZIONE	DÉSIGNATION	BESCHREIBUNG
1	670000.00 620057.03 620058.03	COMPRESSOR ASSY RELAY PROTECTOR	ASS. COMPRESSORE RELÈ PROTETTORE	ENS. COMPRESSEUR RELAIS PROTECTEUR	KOMPRESSOR RELAIS SCHUTZGERAT
2	670012.00 650109.00 650106.00	VALVE PISTON VALVE BODY VALVE CAP	PISTONCINO VALVOLA CORPO VALVOLA CAPPuccio VALVOLA	PISTON CORPS DE VANNE CAPUCHON DE VANNE	VENTILKOLBEN VENTILGEHAUSE VENTILKLAPPE
3	620075.00	FAN PRESSURE CONTROL	PRESSOSTATO VENTILATORE	PRESSOSTAT VENTILATEUR	LUFTER PRESSOSTAT
4	620244.09	TIMER	TIMER	PENDULE	ZEITHUR
5	620294.00	AIR COOLED CONDENSER	CONDENSATORE AD ARIA	CONDENSEUR A AIR	LUFT KONDENSATOR
6	660219.01	DRAIN PORT	RACCORDO SCARICO	RACCORD EVACUATION	ABFLUSSROHR
7	460004.00	CLAMP	FASCETTA	COLLIER	SHELLE
8	610148.10	DRAIN TUBE	TUBO DI SCARICO	TUYAU EVACUATION	ABFLUSSROHR
9	620201.00	EVAPORATOR THERMOSTAT	TERMOSTATO EVAPORATORE	THERMOSTAT ÉVAPORATEUR	VERDAMPFER THERMOSTAT
10	630005.00	BIN THERMOSTAT	TERMOSTATO CONTENITORE	THERMOSTAT CABINE	SPEICHER THERMOSTAT
11	620033.00	SWITCH	INTERRUTTORE	INTERRUPTEUR	SCHALTER





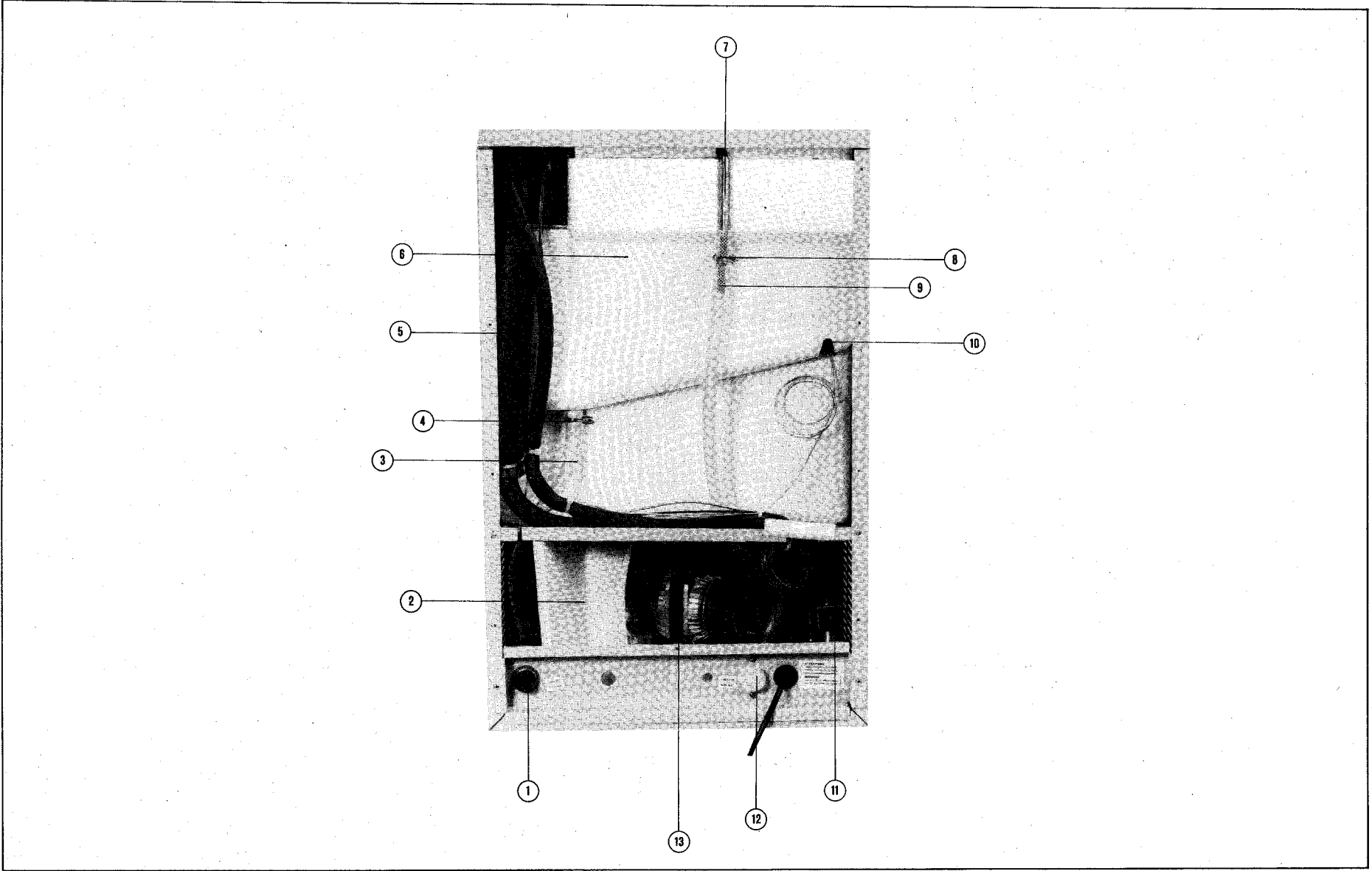
**ACM 55 - ACM 85 - UPPER FRONT CLOSED VIEW - VISTA FRONTALE SUPERIORE - VUE SUPERIEURE FRONTALE - OBERFRONTANANSICHT**

ITEM NO POS. NO REP. NO REF. NO	PART NO./CODICE REFERENCE/STUECK NR.		DESCRIPTION	DESCRIZIONE	DÉSIGNATION	BESCHREIBUNG
	ACM 55	ACM 85				
1	784169.09		CURTAIN	TENDINA	RIDEAU	JALOUSIE
2	660469.00		PLASTIC CURTAIN BRKT.	SUPPORTO TENDINA PLASTICA	SUPPORT RIDEAU PLAST.	PLASTIK JALOUSIETRAEGER
3	660468.00		TOP FRONT LINER	FRONTALINO IN PLASTICA	FRONTAL EN PLASTIQUE	PLASTIK VORDERTEIL
4	660387.01		OVERFLOW STANDPIPE	TUBO TROPPO PIENO	TUYAU TROP PLEIN	UEBERLAUFROHR
5	742101.00		PUMP PLASTIC BRACKET	SUPPORTO POLPA IN PLASTIQUE	SUPPORT POMPE EN PLAST	PLASTIK. PUMPENTRAEGER
6	470000.06		SCREW	VITE	VIS	SCHRAUBE
7	782070.00		INS. STORAGE BIN	ASS. CELLA ISOLATA	ENS. CABINE STOCKAGE ISOLÉE	ISOLIERTE EISSPEICHER
8	721451.01	7214151.02	S/S FRONT PLATE	PANNELLINO FRONTALE INOX	BANDE ENTRETOISE EN INOX	EDELSTAHL-BANDSTREIFEN
9	793117.02 660155.03 660296.02 723073.00		SPRAY PLATEN ASSY JET CUP SPINNER JET METAL HOOK	ASS. PIASTRA SPRUZZANTE CAPPuccio RONDELLA SPRUZZANTE GANCIO DI SUPPORTO	ENS. PULVERISAT. EAU CAPUCHON GIGLEUR BUSE GIGLEUR PLAQUE SUPPORT	SPRUHSYSTEM EINHEIT SPRUEHKOPF SPRYTZ VORRICHTUNG METALL TRAEGER
10	630115.01 630116.01		FEMALE CONTACT PLASTIC SEAT FEMALE CONTACT	BLOCCHETTO FEMMINA CONTATTO FEMMINA	BOCK EN PLASTIQUE FEMELLE CONTACT FEMELLE	DOSEN HALTER DOSE
11	793113.00 610166.01		WATER PUMP ASSY W TUBE (PUMP-SPRAY PLATEN)	ASS. POMPA TUBO (POMPA/SPRUZZATORE)	ENS. POMPE A EAU TUYAU (POMPE/RAMPE ARROS.)	WASSER PUMPE SCHLAUCH (PUMPE-SPRUHSYST.)
12	745007.00 630116.00 660474.00 660474.01		MALE CONTACT PLASTIC SEAT MALE CONTACT MALE CONTACT BRACKET RIGHT MALE CONTACT BRACKET LEFT	BLOCCHETTO MASCHIO CONTATTO MASCHIO SUPP. BLOCCH. MASCHIO DX SUPP. BLOCCH. MASCHIO SX	BLOC EN PLASTIQUE MÂLE CONTACT MÂLE SUPPORT BLOC MÂLE DROITE SUPPORT BLOC MÂLE GAUCHE	STECKER HALTER STECKER DOSEN HALTER STURE LINKS DOSEN HALTER STURE RECHST



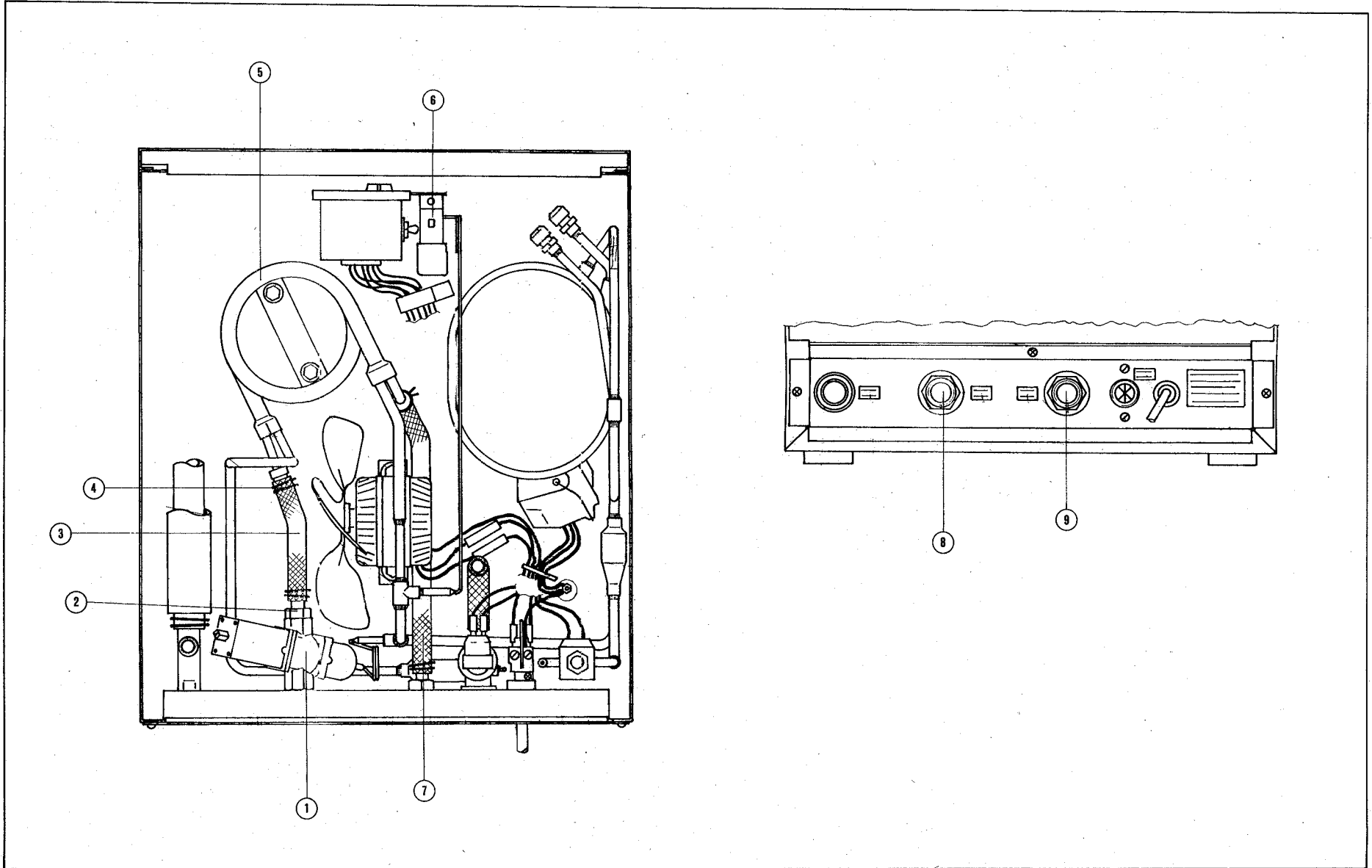
ACM 55 - ACM 85 - TOP VIEW - VISTA SUPERIORE - VUE DE HAUT - OBENANSICHT

ITEM NO POS. NO REP. NO REF. NO	PART NO./CODICE REFERENCE/STUECK NR.		DESCRIPTION	DESCRIZIONE	DÉSIGNATION	BESCHREIBUNG
	ACM 55	ACM 85				
1	660468.00		PLASTIC FRONT LINER	FRONTALINO IN PLASTICA	FRONTAL EN PLASTIQUE	PLASTIKVORDERTEIL
2	721455.00		FRONT LINER METAL BRKT	RINFORZO METALLICO	SUPPORT METALLIQUE	METALTRAEGER
3	732017.00		BIN THERM. BULB HOLDER	TUBO PORTABULBO	PORTEBULBE THERM. CABINE	FUEHLERHALTER SPEICH. THERM.
4	782070.00		INSULATED STORAGE BIN	CELLA ISOLATA	CABINE DE STOCKAGE ISOLÉE	EISSPEICHER
5	660386.00	—	PLASTIC CLAMP	FASCETTA IN PLASTICA	COLLIER EN PLASTIQUE	PLASTIK SCHELLE
6	784297.00 742033.00 *	784297.01	EVAPORATOR ASSY EVAPORATOR COVER	ASS. EVAPORATORE COPERCHIO EVAPORATORE	ENS. ÉVAPORATEUR COUVERCLE EVAPORATEUR	VERDAMPFER VERDAMPFERDECKEL
7	660340.03	—	PLASTIC BULB HOLDER	TUBO PORTABULBO IN PLAST.	TUBE PORTEBULBE EN PLASTIQUE	PLASTIK. FUEHLERHALTER
8	660465.01	—	PLASTIC CAP	TAPPO IN PLASTICA	BOUCHON EN PLASTIQUE	PLASTIKSTOPFEN
9	723072.00		METAL BRACKET	SUPPORTO METALLICO	SUPPORT METALLIQUE	METALLTRAEGER
10	470019.00		SCREW	VITE	VIS	SCHRAUBE
11	660211.01 640134.00 660219.01		DRAIN FILTER O RING DRAIN FITTING	FILTRO SCARICO GUARNIZIONE RACCORDO SCARICO	FILTRE EVACUATION JOINT TORIQUE RACCORD EVACUATION	ABFLUSSFILTER O RING ABFLUSSROHR
12	470000.03		SCREW	VITE	VIS	SCHRAUBE
			* NOT SHOWN	* NON MOSTRATO	* NON FIGURÉ	* NIGHT ABGEBILDET



ACM 55 - ACM 85 - REAR VIEW - VISTA POSTERIORE - VUE ARRIERE - RUECKANSICHT

ITEM NO POS. NO REF. NO	PART NO./CODICE REFERENCE/ STUECK NR.		DESCFIPTION	DESCRIZIONE	DÉSIGNATION	BESCHREIBUNG
	ACM 55	ACM 85				
1	660224.00 400071.00 400070.00		DRAIN "T" FIBER WASHER NUT	RACCORDO DI SCARICO RONDELLA IN FIBRA DADO	RACCORD "T" RONDELLE FIBRE BAGUE FILETÉE	"T" STUECK FIBERSCHEIBE MUTTER
2	660484.00	660484.01	CONDENSER SHROUD	CONVOGLIATORE	CONVECTEUR DU CONDENSEUR	KONDENSATOR GEHAUSE
3	610159.01	610159.03	OVERFLOW DRAIN TUBE	TUBO TROPPO PIENO	TUYAU TROP PLEIN	UEBERLAUFROHR
4	460004.00		CLAMP	FASCETTA	COLLIER	SCHELLE
5	784278.01	784278.02	SJCT. LINE, ACCUMULATOR	LINEA ASP./ACCUMULATORE	ENS. ASPIR./ ACCUMULATEUR	SAMMLER LEITUNGEN
6	782070.00		INS. STORAGE BIN	ASS. CELLA ISOLATA	ENS. CABINE STOCKAGE IS.	ISOLIERTE EISSPEICHER
7	734481.03		W/INLET TUBE/COPPER	TUBO INGR. ACQUA-RAME	TUYAU ENTR. EAU-CUIVRE	W/EINLAUFROHR-CUPPER
8	460017.00		CLAMP	FASCETTA	COLLIER	SCHELLE
9	743111.04		W/INLET TUBE-PLASTIC	TUBO INGR. ACQUA-PLASTICA	TUYAU ENTR. EAU - PLAST.	W/EILAUFRÖHR - PLASTIK
10	732017.00		BIN THERM. BULB HOLDER	TUBO PORTABULBO	PORTEBULBE THERM. CABINE	FUEHLERHALTER SP. THERM.
11	620306.21 620306.15 630003.04	620306.26 620306.28	HOT GAS VALVE ASSY H.G. VALVE COIL DRIER	ASS. VALVOLA GAS CALDO BOBINA V.G.C. FILTRO DEUMIFICATORE	ENS. VANNE GAZ CHAUD BOBINE V.G.C. FILTRE DESHYDRATEUR	HEISSGAZ VENTIL H.G. VENTIL SPULE TROCKNER
12	650105.00 733185.00 640022.06 640110.00	640022.01	WATER INLET VALVE FLOW CONTROL BODY FLOW CONTROL C RING	VALVOLA ENTRATA ACQUA CORPO CONTROLLO DI FLUSSO CONTROLLO DI FLUSSO GUARNIZIONE OR	VANNE ENTRÉE EAU CONTRÔLEUR DE DÉBIT D'EAU-CORPS CONTRÔLEUR DE DÉBIT EN CAOUTCHOUC JOINT TORIQUE	W/EINLAUFVENTIL DURCHFLOSSREGLER GEHAUSE DURCHFLOSSREGLER SIMMER RING
13	704134.12		FAN MOTOR ASSY	MOTOVENTILATORE COMPL.	MOTEUR VENTILATEUR COMPL.	LUFTER MOTOR KOMPL.



**ACM 55 - ACM 85 - WATER COOLED VERSION - VERSIONE RAFFREDDATA AD ACQUA - VERSION REFROIDI PAR EAU - WASSERGEKUEHLTE TYP**

ITEM NO POS. NO REF. NO	PART NO./CODICE REFERENCE/STUECK NR.		DESCRIPTION	DESCRIZIONE	DÉSIGNATION	BESCHREIBUNG
	ACM 55	ACM 85				
1	620111.00		WATER REGULATING VALVE	VALVOLA REGOL. ACQUA	VANNE REGUL. EAU PRESSOSTATIQUE	WASSERREGULIERUNGVENTIL
2	733094.01		VALVE FITTING	RACCORDO VALVOLA	RACCORD VANNE	VENTIL SCHLAUCH
3	743111.30	743111.32	PLASTIC TUBE	TUBO IN PLASTICA	TUYAU EN PLASTIQUE	PLASTIK ROHR
4	460017.00		CLAMP	FASCETTA	COLLIER	SCHELLE
5	784197.05	620331.03	CONDENSER	CONDENSATORE	CONDENSEUR	KONDENSATOR
6	620231.01		HI PRESSURE CONTROL	PRESSOSTATO DI ALTA	PRESSOSTAT H.P.	H. DRUCKPRESSOSTAT
7	743111.31	743111.16	PLASTIC TUBE	TUBO IN PLASTICA	TUYAU EN PLASTIQUE	PLASTIK ROHR
8	733204.00 400031.01		WATER INLET FITTING FIBER WASHER	RACCORDO INGRESSO ACQUA RONDELLA IN FIBRA	RACCORD ARRIVÉE EAU RONDELLE FIBRE	WASSEREINLAUFROHR FIBER SCHEIBE
9	660291.00 400031.00 400030.00		3/4 GAS DRAIN FITTING FIBER WASHER NUT	SCARICO ACQUA DA 3/4 GAS RONDELLA IN FIBRA DADO	RACCORD EVACUAT. 3/4 GAS RONDELLE FIBRE BAGUE FILETÉE	3/4 GAS SCHLAUCH FIBER SCHEIBE MUTTER

ACM 55 - ACM 85 ELECTRIC COMPONENTS CHART - LISTA COMPONENTI ELETTRICI - LISTE DES COMPOSANTS ELECTRIQUES - ELEKTRISCHER TEILLISTER

MODEL MODELLO MODELE MODELL	VOLTS VOLTAGGIO TENSION SPANNUNG	BIN THERMOSTAT THERMOST. CONTENIT. THERMOSTAT CABINE SPEICHER THERMOST.	EVAPOR. THERMOSTAT THERMOST. EVAPORAT. THERMOSTAT EVAPOR. VERDAMPFER THERM.	TIMER TIMER PENDULE ZEITHUR	W/INLET VALVE VALV. ENTR. ACQUA VANNE ARRIVEE EAU W/EINLAUFVENTIL	HOT GAS VALVE VALVOLA GAS CALDO VANNE GAZ CHAUD HEISS GAZ VENTIL	H.G. VALVE COIL BOBINA V.G.C. BOBINE V.G.G. H.G.V. SPULE	PUMP MOTOR ONLY MOTORE POMPA MOTEUR POMPE PUMPEN MOTOR	WATER PUMP ASSY ASSIEME POMPA ENS. POMPE A EAU WASSER PUMPE	FAN MOTOR ONLY MOTOVENTILATORE MOTEUR VENTILAT. LUFTER MOTOR	FAN MOTOR ASSY MOTOVENTIL. COMPL. MOT. VENTILAT. C.MPL. LUFTER MOTOR KMPL.	SWITCH INTERRUTTORE INTERRUPTEUR SCHALTER
<b>ACM 55 AE - 1</b> <b>ACM 85 AE - 1</b>	115/60/1	630005.00	620264.02 620201.00	— 620244.10	650105.01	620306.30 620306.29	620306.17 620306.17	620283.01	793113.01	620003.11	704134.13	620033.00
<b>ACM 55 AE - 2</b> <b>ACM 85 AE - 2</b>	220/60/1	630005.00	620264.02 620201.00	— 620244.09	650105.00	620306.21 620306.26	620306.15 620306.28	620283.02	793113.02	620003.12	704134.14	620033.00
<b>ACM 55 AE - 6</b> <b>ACM 85 AE - 6</b>	220/50/1	630005.00	620264.02 620201.00	— 620244.09	650105.00	620306.21 620306.26	620306.15 620306.28	620283.00	793113.00	620003.10	704134.12	620033.00

ACM 55 - ACM 85 COMPRESSOR CHART - LISTA COMPRESSORI - LISTE DES COMPRESSEUR - KOMPRESSORENLISTE

MODEL MODELLO MODELE MODELL	VOLTS VOLTAGGIO TENSION SPANNUNG	COMPRESSOR MODEL MODELLO COMPRESORE TYPE DU COMPRESSEUR COMPRESSOR TYP	COMPRESSOR COMPL. COMPRES. COMPLETO COMPRESSEUR COMPLET KOMPRESSOR KOMPL.	COMPRESSOR RELAY RELÉ COMPRESORE RELAIS DU COMPRES. KOMPRESSORRELAIS	COMPRES. PROTECTOR PROTETTORE COMP. PROTECTEUR DU COMP. SCHUTZGERAT DES KOMP.
<b>ACM 55 AE - 1</b> <b>ACM 85 AE - 1</b>	115/60/1	U.H. AE 59ZF9 U.H. AE 3440	670066.02 670000.01	620057.02 620057.04	620058.02 620058.04
<b>ACM 55 AE - 2</b> <b>ACM 85 AE - 2</b>	220/60/1	U.H. AE 59ZF9 U.H. AE 3440	670066.03 670000.02	620057.08 620057.07	620058.11 620058.10
<b>ACM 55 AE - 6</b> <b>ACM 85 AE - 6</b>	220/50/1	U.H. AE 41ZF11 U.H. AE 3440	670066.05 670000.00	620057.25 620057.03	620058.35 620058.03