

ACM 45

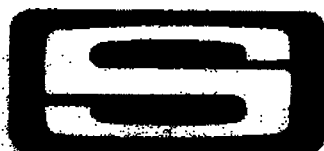
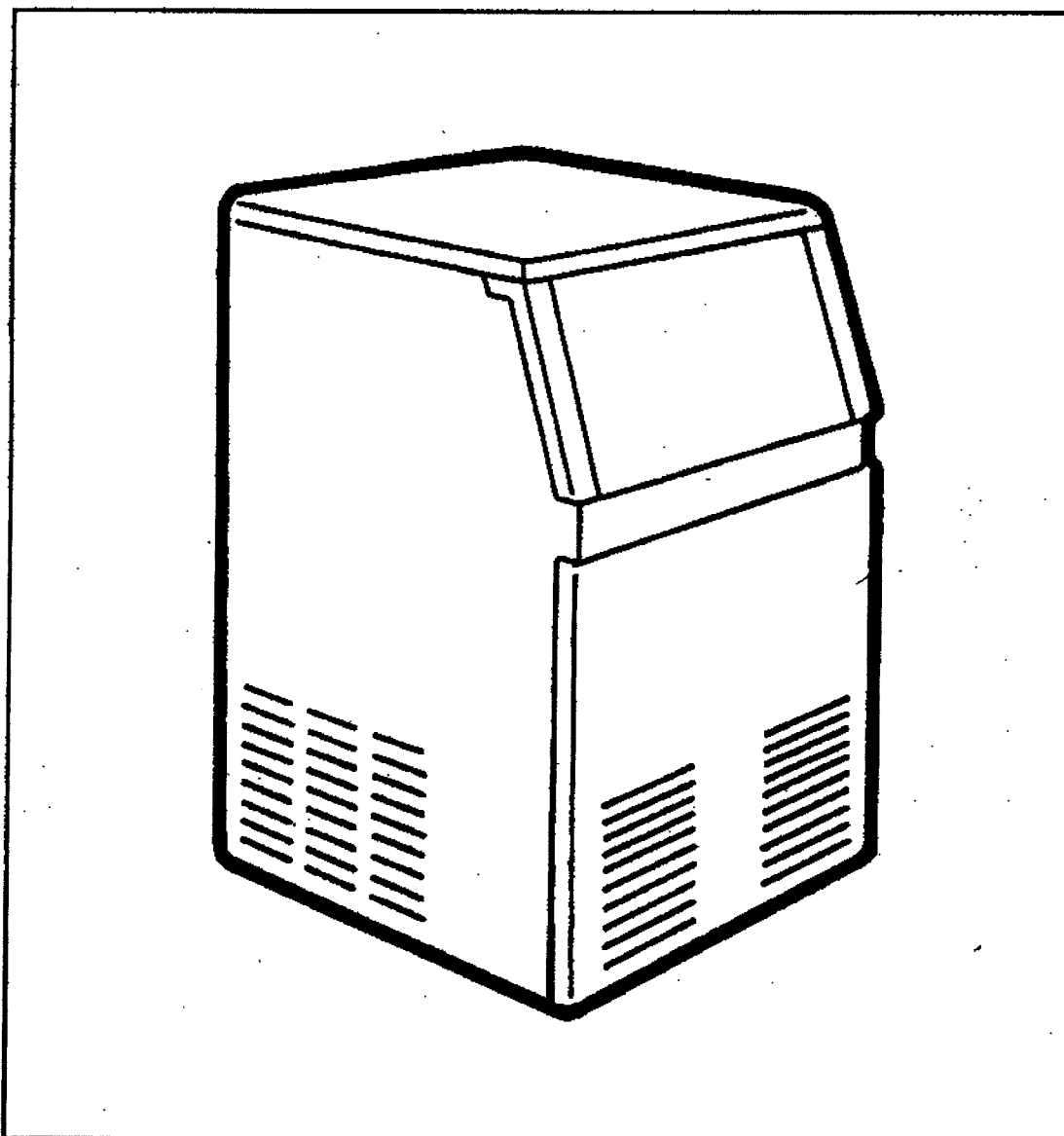
Electronic cuber with storage

Spare parts list

Catalogo ricambi

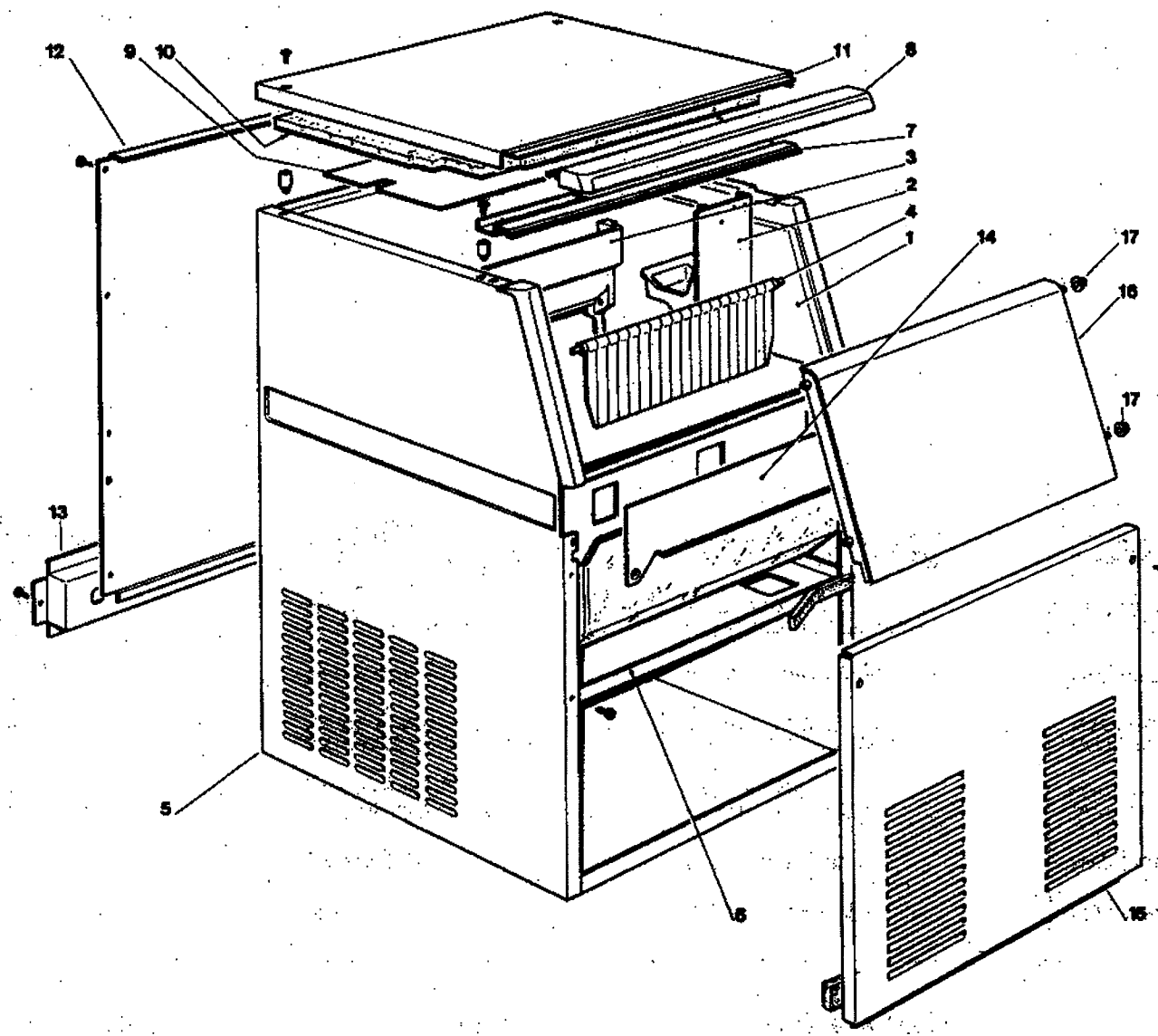
Catalogues pièces détachées

Ersatzteilkatalog



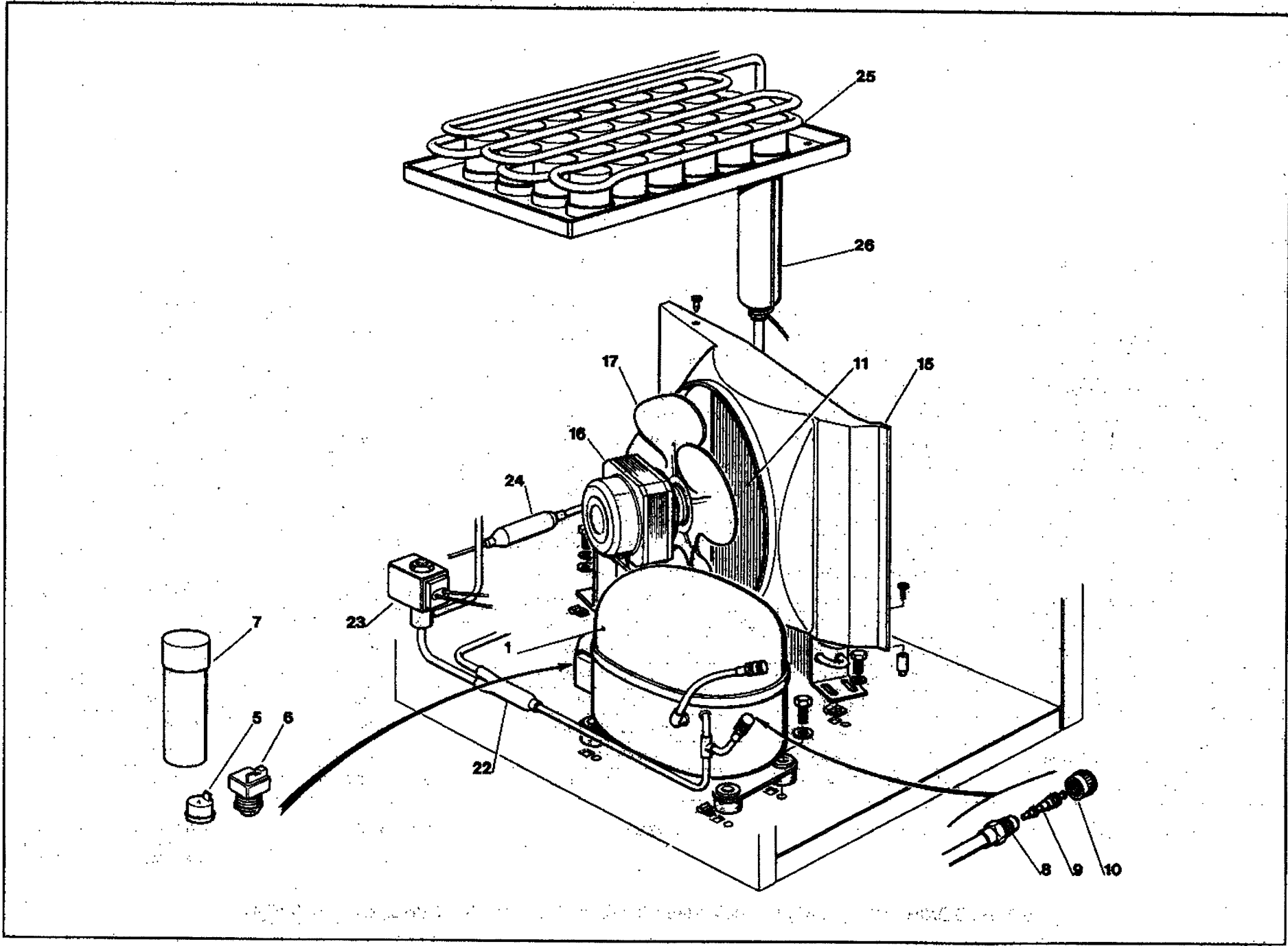
SCOTSMAN®

ICE SYSTEMS



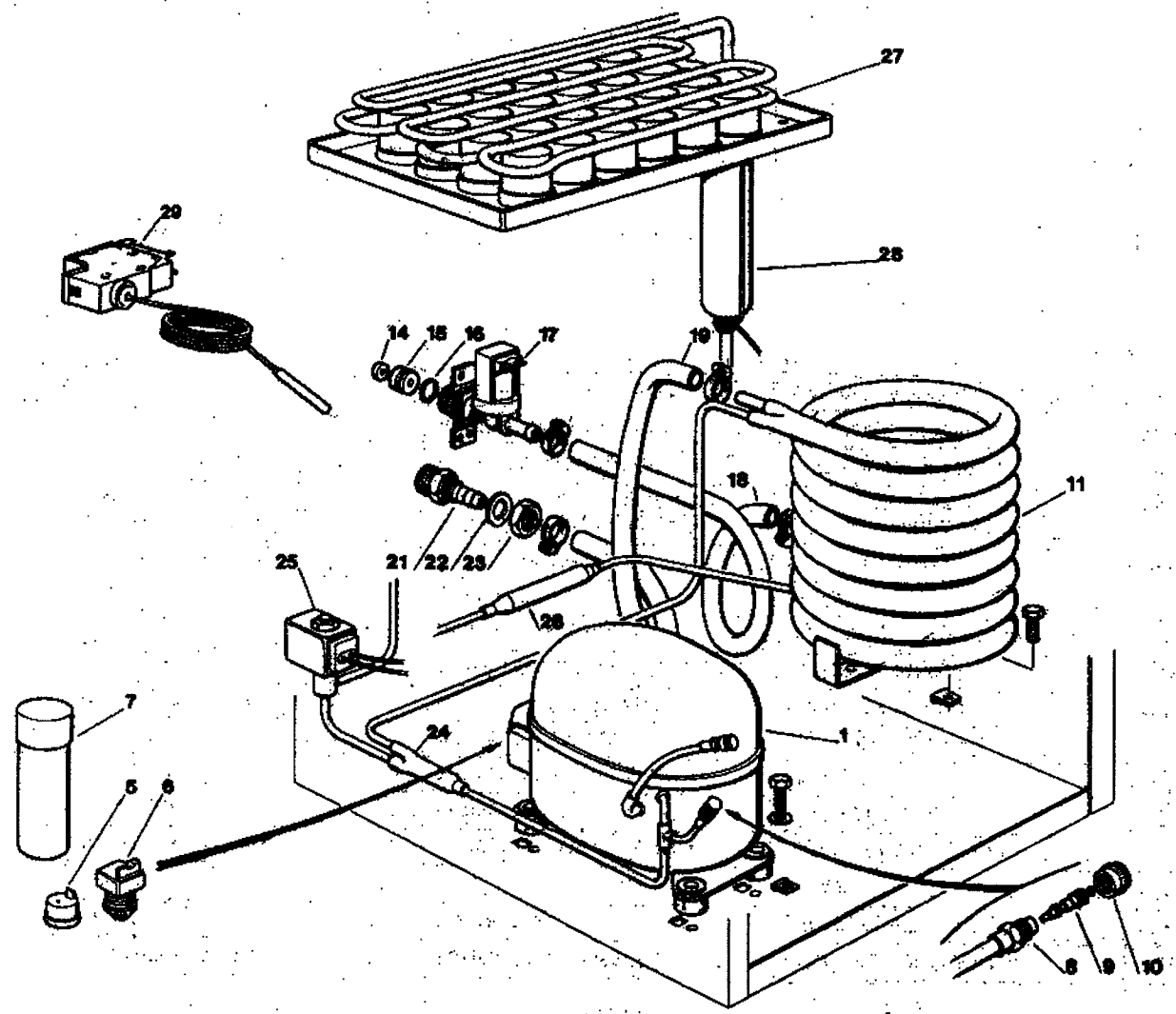
ACM 45 - UNIT PANELS - ASSIEME MOBILE - ENS. CARROSSERIE - MACHINE GEHAUSE

ITEM NO POS NO REP. NO REF. NO	PART NO CODICE REFERENCE STUECK NR	DESCRIPTION	DESCRIZIONE	DESIGNATION	BESCHREIBUNG
1	782070 10	INSULATED STORAGE BIN	CELLA ISOLATA	GABINE STOCKAGE ISOLEE	ISOLIEREISSPEICHER
2	660470 01	PUMP BRACKET	SUPPORTO POMPA	SUPPORT POMPE	PUMPENTRAEGER
3	660469 01	CURTAIN BRACKET	SUPPORTO TENDINA	SUPPORT RIDEAU	JALOUSIETRAEGER
4	784169 09	CURTAIN ASSY	ASSIEME TENDINA	ENSAMBLE RIDEAU	JALOUSIE
5	721594 00	UNIT FRAME S.S.	ASSIEME TELAIO INOX	ENSAMBLE CHASSIS ACIER INOX	EDELSTAHL-CHASSIS RAHMEN
6	702168 00	METAL DIVIDER	SEPARATORE IN METALLO	SEPARATEUR METALLIQUE	METALTEILER
7	721455 00	FRONT LINER METAL BRACKET	RINFORZO FRONTALE IN METALLO	SUPPORT FRONTAL METALLIQUE	METALTRAEGER
8	660468 01	PLASTIC FRONT LINER	FRONTALINO IN PLASTICA	FRONTAL EN PLASTIQUE	PLASTIK VORDERTEIL
9	742033 03	EVAPORATOR COVER	COPERCHIO EVAPORATORE	COUVERCLE EVAPORATEUR	VERDAMPFERDECKEL
10	784378 11	UPPER INSULATION	ISOLAMENTO SUPERIORE	ISOLATION SUPERIEUR	ISOLIERUNG
11	721593 00	TOP PANEL S.S.	PANNELLO SUPERIORE ACC. INOX	PANNEAU SUPERIEURE ACIER INOX	ABDECKHAUBE EDELSTAHL
12	702169 00	REAR PANEL S.S.	PANNELLO POSTERIORE ACC. INOX	PANNEAU ARRIERE ACIER INOX	RUECKWAND EDELSTAHL
13	721592 00	METAL BRACKET FOR FITTINGS S.S.	SUPPORTO ATTACCHI ACC. INOX	SUPPORT DE RACCORDS INOX	METALTRAEGER EDELSTAHL
14	721451 06	S.S. FRONT PLATE	PANNELLINO FRONTALE ACC. INOX	BANDE ENTRETOISE ACIER INOX	EDELSTAHL-BANDSTREIFEN
15	701937 01	FRONT PANEL S.S.	PANNELLO FRONTALE ACC. INOX	PANNEAU AVANT ACIER INOX	VORDERWAND EDELSTAHL
16	660572 00	BIN DOOR ASSY	ASSIEME SPORTELLO	ENSAMBLE PORTE CABINE	SPEICHERTUER
17	660286 00	DOOR RUNNER - BUSHING	BUSSOLA DI SCORRIMENTO	BAGUE DE COULISSAGE PORTE	TUERGLEITBUCHSE
19*	732017 15	BULB HOLDER	PORTA BULBO	PORTEBULBE	FUEHLERHALTER
20*	850382 01	LEGS	PIEDINI	PIEDS	FUESSE
		* NOT SHOWN	* NON MOSTRATO	* PAS MONTRÉ	* NIGHT ABGEBILDET



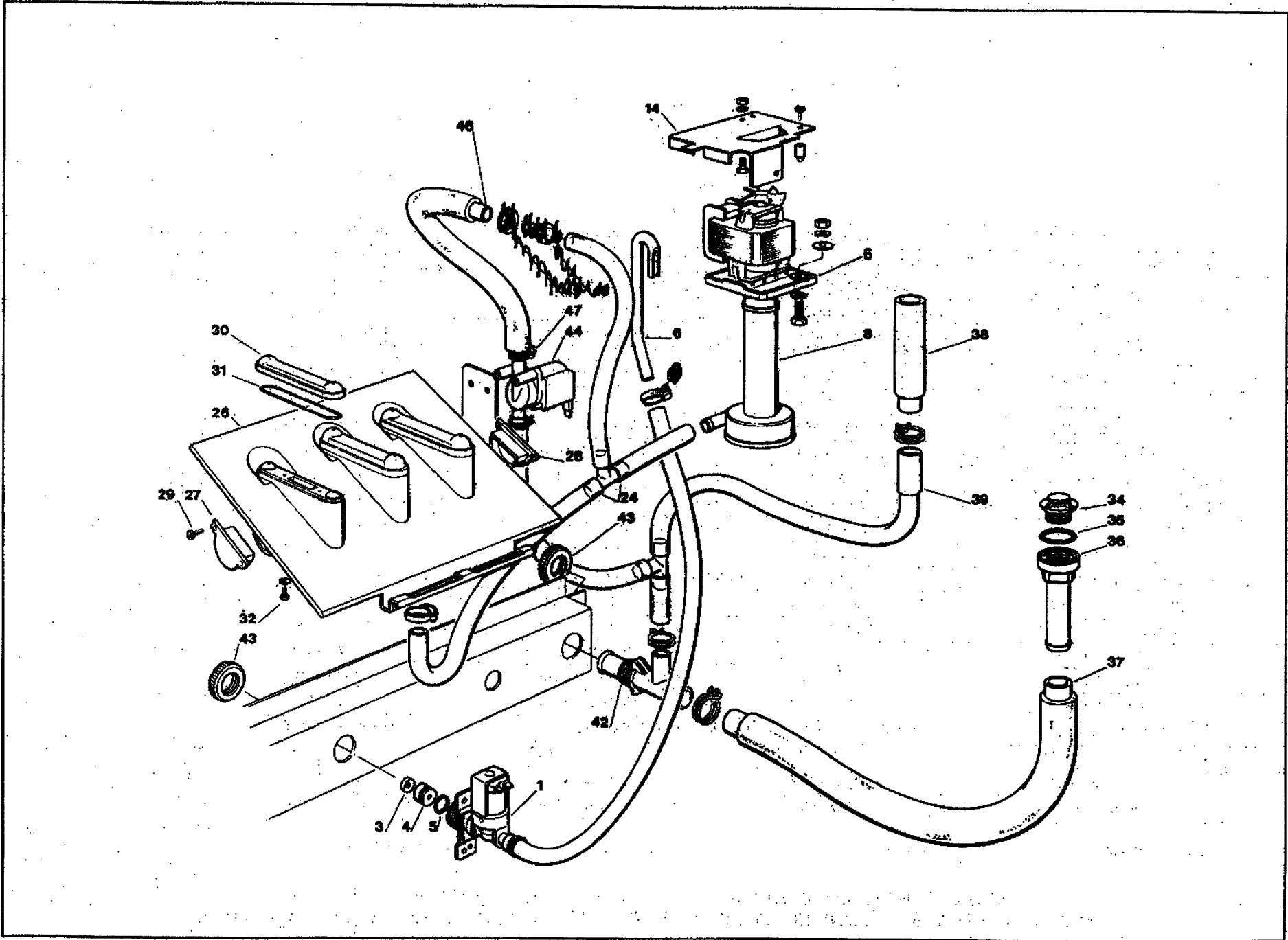
ACM 45 - REFRIGERANT SYSTEM AIR COOLED - SISTEMA REFRIGERANTE RAFFR. AD ARIA
CIRCUIT FRIGORIFIQUE REFROID. PAR AIR - LUFTGEKÜHLT GEFRIERSYSTEM

ITEM NO POS NO REP. NO REF. NO	PART NO CODICE REFERENCE STUECK NR	DESCRIPTION	DESCRIZIONE	DESIGNATION	BESCHREIBUNG
1	670097 01	COMPRESSOR ASSY	ASSIEME COMPRESSORE	ENSAMBLE COMPRESSEUR	KOMPRESSOR
5	620058 54	PROTECTOR	PROTETTORE	PROTECTEUR	SCHUTZGERAT
6	620057 32	RELAY	RELE	RELAIS	RELAIS
7	620167 23	START CAPACITOR	CONDENSATORE D'AVVIAMENTO	CAPACITE DE DEMARRAGE	START KONDENSATOR
8	650109 00	VALVE BODY	CORPO VALVOLA	CORPS DE VANNE	VENTILGEHAUSE
9	670012 00	VALVE PISTON	PISTONCINO VALVOLA	PISTON	VENTILKOLBEN
10	650106 00	VALVE CAP	CAPPuccio VALVOLA	CAPUCHON DE VANNE	VENTILKLAPPE
11	620276 02	AIR COOLED CONDENSER	CONDENSATORE AD ARIA	CONDENSEUR A AIR	LUFT KONDENSATOR
15	680484 04	CONDENSER SHROUD	CONVOGLIATORE CONDENSATORE	COQUE DU CONDENSEUR	KONDENSATOR DECKBAND
16	620003 10	FAN MOTOR	MOTORE VENTILATORE	MOTEUR DU VENTILATEUR	LUFTER MOTOR
17	620007 03	FAN BLADE	VENTOLA	HELICE	FLUEGEL
22	630007 01	MECHANICAL FILTER	FILTRO MECCANICO	FILTRE MECANIQUE	MECHANISCHFILTERN
23	620306 13 620308 28	HOT GAS VALVE ASSY HOT GAS VALVE COIL	ASSIEME VALVOLA GAS CALDO BOBINA VALVOLA GAS CALDO	ENSAMBLE VANNE GAZ CHAUD BOBINE VANNE GAZ CHAUD	HEISSGAZ VENTIL HEISSGAZ VENTIL SPULE
24	630003 04	DRIER	FILTRO DEUMIDIFICATORE	FILTRE DESHYDRATEUR	TROCKNER
25	784297 08	EVAPORATOR ASSY	ASSIEME EVAPORATORE	ENSAMBLE EVAPORATEUR	VERDAMPFER
26	784294 01	SUCTION LINE/ACCUMULATOR	ACCUMUL. E LINEA ASPIRAZIONE	ENS. ASPIRATION/ACCUMULATEUR	SAMMLER UND SAUGLEITUNGEN



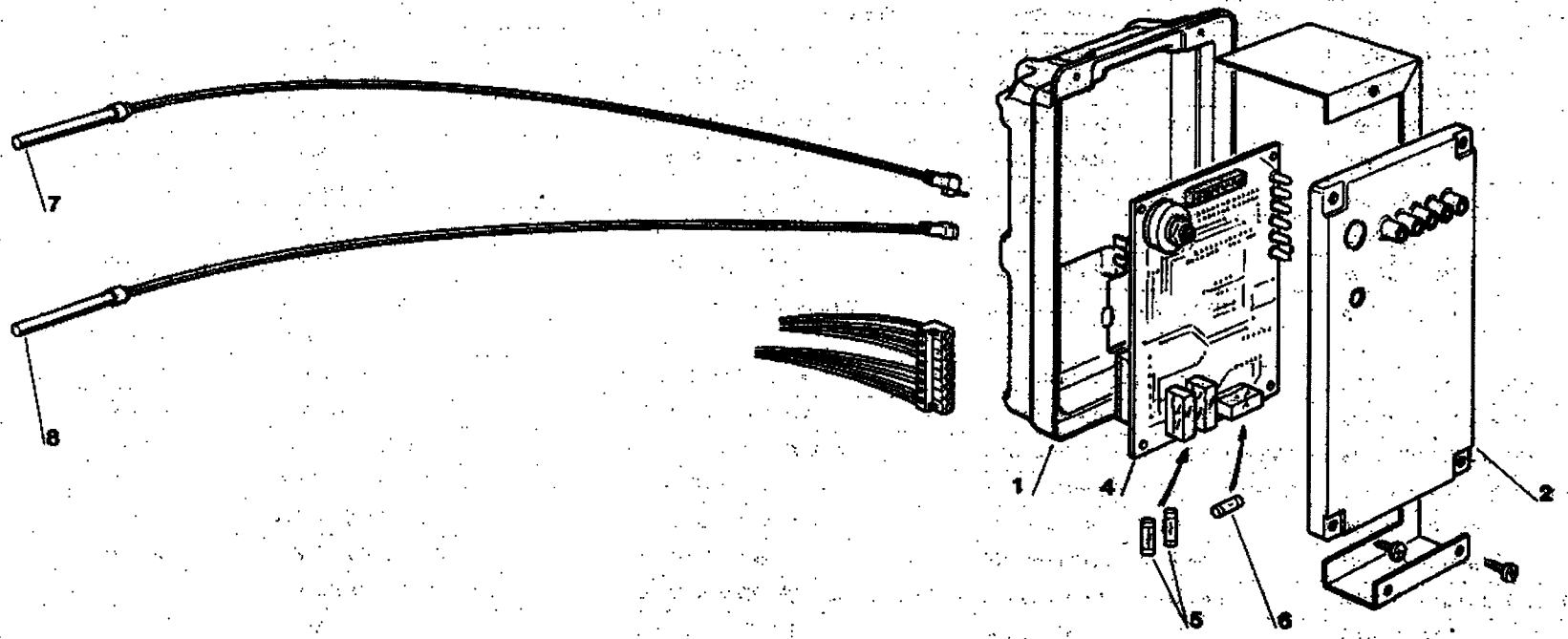
**ACM 45 - REFRIGERANT SYSTEM WATER COOLED - SISTEMA REFRIGERANTE RAFFR. AD ACQUA
CIRCUIT FRIGORIFIQUE REFRROID. PAR EAU - WASSERGEKÜHLT GEFRIERSYSTEM**

ITEM NO POS NO REP. NO REF. NO	PART NO CODICE REFERENCE STUECK NR	DESCRIPTION	DESCRIZIONE	DESIGNATION	BESCHREIBUNG
1	870087 01	COMPRESSOR ASSY	ASSIEME COMPRESSORE	ENSAMBLE COMPRESSEUR	KOMPRESSOR
5	620058 54	PROTECTOR	PROTETTORE	PROTECTEUR	SCHUTZGERAT
6	620057 32	RELAY	RELE	RELAIS	RELAIS
7	620167 23	START CAPACITOR	CONDENSATORE D'AVVIAMENTO	CAPACITE DE DEMARRAGE	START. KONDENSATOR
8	650109 00	VALVE BODY	CORPO VALVOLA	CORPS DE VANNE	VENTILGEHAUSE
9	670012 00	VALVE PISTON	PISTONCINO VALVOLA	PISTON	VENTILKOLBEN
10	650106 00	VALVE CAP	CAPPUCCIO VALVOLA	CAPUCHON DE VANNE	VENTILKLAPPE
11	620369 00	WATER COOLED CONDENSER	CONDENSATORE AD ACQUA	CONDENSEUR A EAU	WASSER KONDENSATOR
14	640022 01	FLOW CONTROL	CONTROLLO DI FLUSSO	CONTROLE DE DEBIT	DURCHFLUSSREGLER
15	733185 00	FLOW CONTROL BODY	CORPO CONTROLLO DI FLUSSO	CORPS CONTROLE DE DEBIT	DURCHFLUSSREGLER GEHAUSE
16	640110 00	O RING	GUARNIZIONE O R	JOINT TORIQUE	SDMMER RING
17	650105 00	WATER INLET VALVE	VALVOLA INGRESSO ACQUA	VANNE ARRIVEE EAU	WASSEREINLAUFVENTIL
18	281900 01	PLASTIC TUBE-PER METER	TUBO IN PLASTICA PER METRO	TUYAU EN PLASTIQUE-POUR METER	PLASTIK ROHR-PRO METER
19	281900 01	PLASTIC TUBE-PER METER	TUBO IN PLASTICA PER METRO	TUYAU EN PLASTIQUE-POUR METER	PLASTIK ROHR-PRO METER
21	660291 00	3/4 GAS WATER DRAIN FITTING	SCARICO ACQUA DA 3/4 GAS	RACCORD EVACUATION 3/4 GAS	3/4 GAS SCHLAUCH
22	400031 00	FIBER WASHER	RONDELLA IN FIBRA	RONDELLE EN FIBRE	FIBER SCHEIBE
23	400030 01	NUT	DADO	ECROU	MUTTER
24	630007 01	MECHANICAL FILTER	FILTRO MECCANICO	FILTRE MECANIQUE	MECHANISCHFILTERN
25	620306 13 620306 28	HOT GAS VALVE ASSY HOT GAS VALVE COIL	ASSIEME VALVOLA GAS CALDO BOBINA VALVOLA GAS CALDO	ENSAMBLE VANNE GAZ CHAUD BOBINE VANNE GAZ CHAUD	HEISSGAZ VENTIL HEISSGAZ VENTIL SPULE
26	630003 04	DRIER	FILTRO DEUMIDIFICATORE	FILTRE DESHYDRATEUR	TROCKNER
27	784297 08	EVAPORATOR ASSY	ASSIEME EVAPORATORE	ENSAMBLE EVAPORATEUR	VERDAMPFER
28	784294 01	SUCTION LINE/ACCUMULATOR	ACCUMUL. E LINEA ASPIRAZIONE	ENS. ASPIRATION/ACCUMULATEUR	SAMMLER UND SAUGLEITUNGEN
29	620075 02	PRESSURE CONTROL	PRESSOSTATO	PRESSOSTAT	PRESSOSTAT



ACM 55 - WATER SYSTEM - CIRCUITO IDRAULICO - CIRCUIT HYDRAULIQUE - WASSERSYSTEM

ITEM NO POS NO REP. NO REF. NO	PART NO CODICE REFERENCE STUECK NR	DESCRIPTION	DESCRIZIONE	DESIGNATION	BESCHREIBUNG
1	650105 00	WATER INLET VALVE	VALVOLA INGRESSO ACQUA	VANNE ARRIVEE EAU	WASSEREINLAUFVENTIL
2	261900 01	WATER INLET TUBE-PER METER	TUBO INGRESSO ACQUA-PER METRO	TUYAU ARRIVEE EAU-POUR METRE	WASSEREINLAUFROHR-PRO METER
3	640022 01	FLOW CONTROL	CONTROLLO DI FLUSSO	CONTROLE DE DEBIT	DURCHFLUSSREGLER
4	733185 00	FLOW CONTROL BODY	CORPO CONTROLLO DI FLUSSO	CORPS CONTROLE DE DEBIT	DURCHFLUSSREGLER GEHAUSE
5	640110 00	O RING	GUARNIZIONE O R	JOINT TORIQUE	SIMMER RING
6	734481 06	WATER INLET COPPER PIPE	TUBO DI RAME INGRESSO ACQUA	TUYAU ENTREE EAU CUIVRE	WASSEREINLAUFROHR - CUPPER
8	793113 27	WATER PUMP ASSY	ASSIEME POMPA	ENSAMBLE POMPE A EAU	WASSER PUMPE
14	723154 00	METAL BRACKET	SUPPORTO IN METALLO	SUPPORT METALLIQUE	METALLTRAEGER
24	610185 00	WATER TUBE - PUMP TO SPRAY SYSTEM	TUBO MANDATA POMPA	TUYAU POMPE PLAQUE D'ARROSAGE	SCHLAUCH PUMPE - SPRUHSYSTEME
26	793129 03	SPRAY PLATEN ASSY	ASSIEME SPRUZZATORE	ENS. PLAQUE PULVERISATION EAU	SPRUHSYSTEM EINHEIT
27	660520 05	PLASTIC PLUG	TAPPO IN PLASTICA	BOUCHON EN PLASTIQUE	PLASTIKVERSTOPFEN
28	660520 04	PLASTIC PLUG	TAPPO IN PLASTICA	BOUCHON EN PLASTIQUE	PLASTIKVERSTOPFEN
29	470017 00	SCREW	VITE	VIS	SCHRAUBE
30	660519 02	PLASTIC COVER	COPERCHIO IN PLASTICA	COUVERCLE EN PLASTIQUE	PLASTIKDECKEL
31	640041 20	O RING	GUARNIZIONE O R	JOINT TORIQUE	SIMMER RING
32	470017 00	SCREW	VITE	VIS	SCHRAUBE
34	660211 01	DRAIN FILTER	FILTRO SCRICO ACQUA	FILTRE EVACUATION EAU	ABFLUSSFILTER
35	640134 00	O RING	GUARNIZIONE O R	JOINT TORIQUE	SIMMER RING
36	660219 01	DRAIN FITTING	RACCORDO DI SCARICO	RACCORD EVACUATION	ABFLUSS STÜCK
37	610148 10	DRAIN TUBE	TUBO SCARICO	TUYAU EVACUATION	ABFLUSSROHR
38	660387 01	OVERFLOW STAND PIPE	TUBO TROPPO PIENO	TROP PLEIN	UEBERLAUFROHR
39	610180 03	OVERFLOW DRAIN TUBE	TUBO SCARICO TROPPO PIENO	TUYAU EVACUATION TROP.PLEIN	UEBERLAUFABFLUSSROHR
42	660224 00	DRAIN T FITTING	RACCORDO DI SCARICO	RACCORD T D'EVACUATION	T STÜCK
43	660535 00	PLASTIC RING NUT	GHIERA IN PLASTICA	COLLIER DE SERRAGE EN PLASTIQUE	PLASTIKRING MUTTER
44	620406 01	WATER DRAIN VALVE	VALVOLA SCARICO ACQUA	VANNE VIDANGE EAU	WASSERABFLUSSVENTIL
46	610173 00	TUBE	TUBO	TUYAU	ROHR
48	660534 00	PLASTIC FITTING	RACCORDO DI SCARICO	RACCORD EVACUATION	ABFLUSS STÜCK
49	660535 00	PLASTIC RING NUT	GHIERA IN PLASTICA	COLLIER DE SERRAGE EN PLASTIQUE	PLASTIKRING MUTTER



© 1998 Hewlett-Packard Company. All rights reserved. HP, the HP logo, and the HP logo are trademarks of Hewlett-Packard Company. Other brands and product names are trademarks of their respective owners.

ACM 45 - P.C. BOARD AND SENSOR ASSY - SCHEDA ELETTRONICA E SENSORI
ENS. CARTE ELECTRONIQUE ET DETECTEURS - ELEKTRONISCHE KARTE UND TEMPERATURFUEHLERENHEIT

ITEM NO POS NO REP. NO REF. NO	PART NO CODICE REFERENCE STUECK NR	DESCRIPTION	DESCRIZIONE	DESIGNATION	BESCHREIBUNG
1	660546 00	PLASTIC CONTROL BOX	SCATOLA ELETTRICA	BOITE ELECTRIQUE	SCHALTSCHRANK
2	660547 00	CONTROL BOX COVER	COPERCHIO SCATOLA ELETTRICA	COUVERCLE BOITE DE COMMANDE	SCHALTSCHRANK DECKEL
4	620403 16	P. C. BOARD ASSY	ASSIEME SCHEDA ELETTRONICA	ENSAMBLE CARTE ELECTRONIQUE	GEDRUCKTE SCHALTUNG
5	630015 10	FUSE (16 A)	FUSIBILE (16 A)	FUSIBLE (16 A)	SCHMELZSICHERUNG (16 A)
6	630015 11	FUSE (50 mA)	FUSIBILE (50 mA)	FUSIBLE (50 mA)	SCHMELZSICHERUNG (50 mA)
7	620404 10	EVAPORATOR TEMP. SENSOR	SENSORE TEMP. EVAPORATORE	CAPTEUR TEMP. EVAPORATEUR	VERDAMPFERTEMPERATURFUEHLER
8	620404 06	ICE LEVEL CONTROL SENSOR	SENSORE CONTR. LIVELLO GHIACCIO	DETECTEUR NIVEAU GLACE	EISNIVEAUFUEHLERENHEIT

ACM 45 - COMPRESSOR CHART - TABELLA COMPRESSORI - TABLEAU COMPRESSEUR - KOMPRESSOR KARTE

MODEL MODELLO MODELE MODELL	VOLTS TENSIONE TENSION SPANNUNG	COMPRESSOR MODEL MOD. COMPRESSORE TYPE COMPRESSEUR KOMPRESSOR TYP	COMPRESSOR COMPRESSORE COMPRESSEUR KOMPRESSOR	RELAY RELE' RELAIS RELAIS	PROTECTOR PROTETTORE PROTECTEUR SCHUTZGERAT	START CAPACITOR CAPACITA D'AVV. CAPACITE DE DEMARRAGE START KONDENSATOR
ACM 45	115/60/1					
ACM 45	230/60/1	U.H. L 45 TN	670097.06	620057.33	620058.6P	620167.23
ACM 45	220/50/1	U.H. L 45 TN	670097 01	620057 32	620058 54	620167 23

**ACM 45 - ELECTRIC COMPONENTS CHART - TABELLA COMPONENTI ELETTRICI
TABLEAU COMPOSANTS ELECTRIQUE - ELEKTRISCHEKARTE**

MODEL MODELLO MODELE MODELL	VOLTS TENSIONE TENSION SPANNUNG	WATER PUMP POMPA POMPE A EAU WASSER PUMPE	FAN MOTOR ONLY MOTORE VENTILATORE MOTEUR VENTILATEUR LUFTER MOTOR	WATER INLET VALVE VALV. INGR. ACQUA V.E.M. ARRIVEE EAU WASSEREIN.VENTIL	HOT GAS VALVE VALVOLA GAS CALDO V.E.M. GAZ CHAUDS HEISSGAZ VENTIL	P.C. BOARD SCHEDA ELETTRONICA CARTE ELECTRONIQUE ELEKTRONISCHE KARTE
ACM 45	115/60/1	793113 01	620003 11	650105 01	620306 16	
ACM 45	230/60/1	793113 02	620003 10	650105 00	620306 18	620403 16
ACM 45	220/50/1	793113 27	620003 10	650105 00	620306 13	620403 16