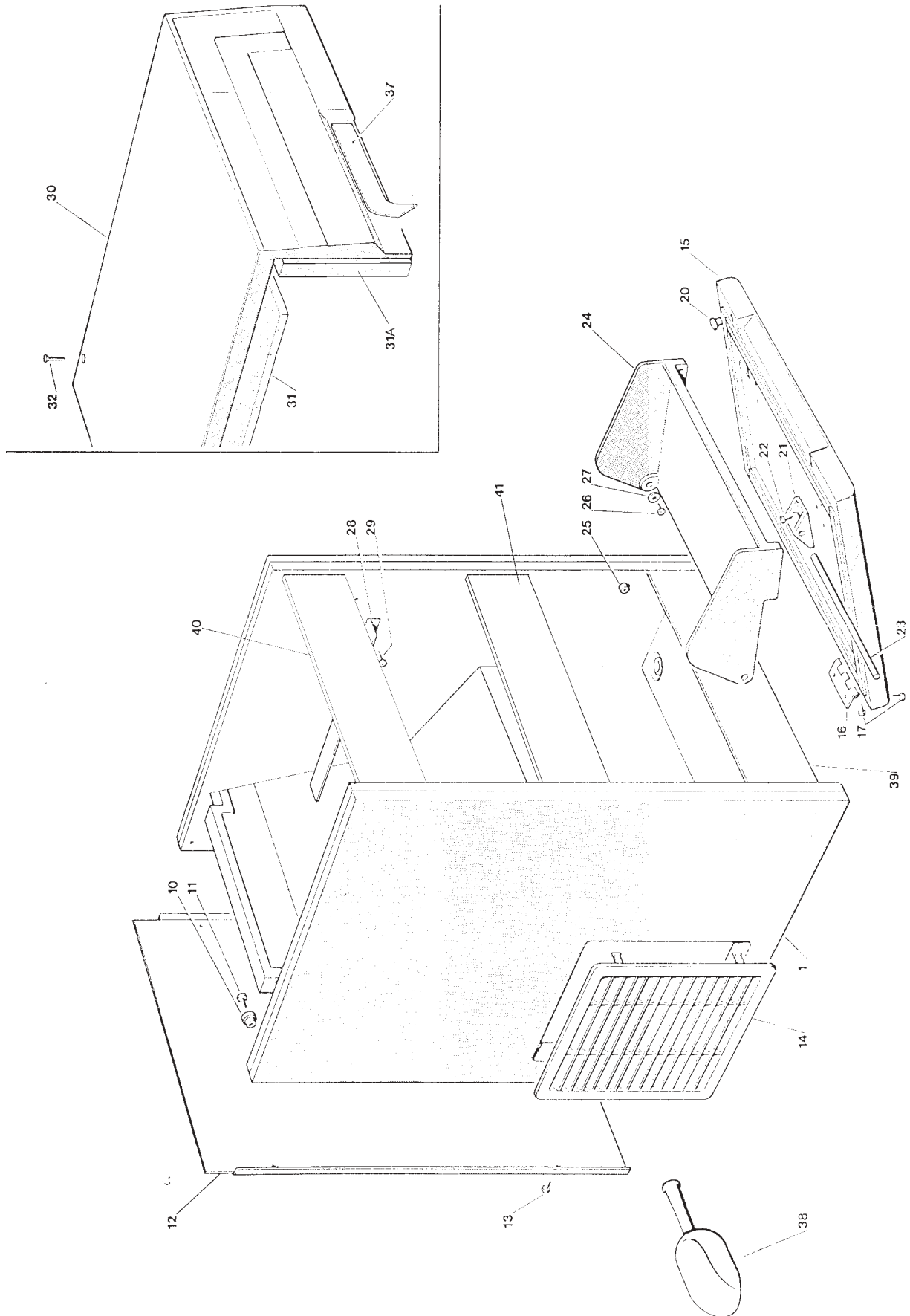


# SCOTSMAN®

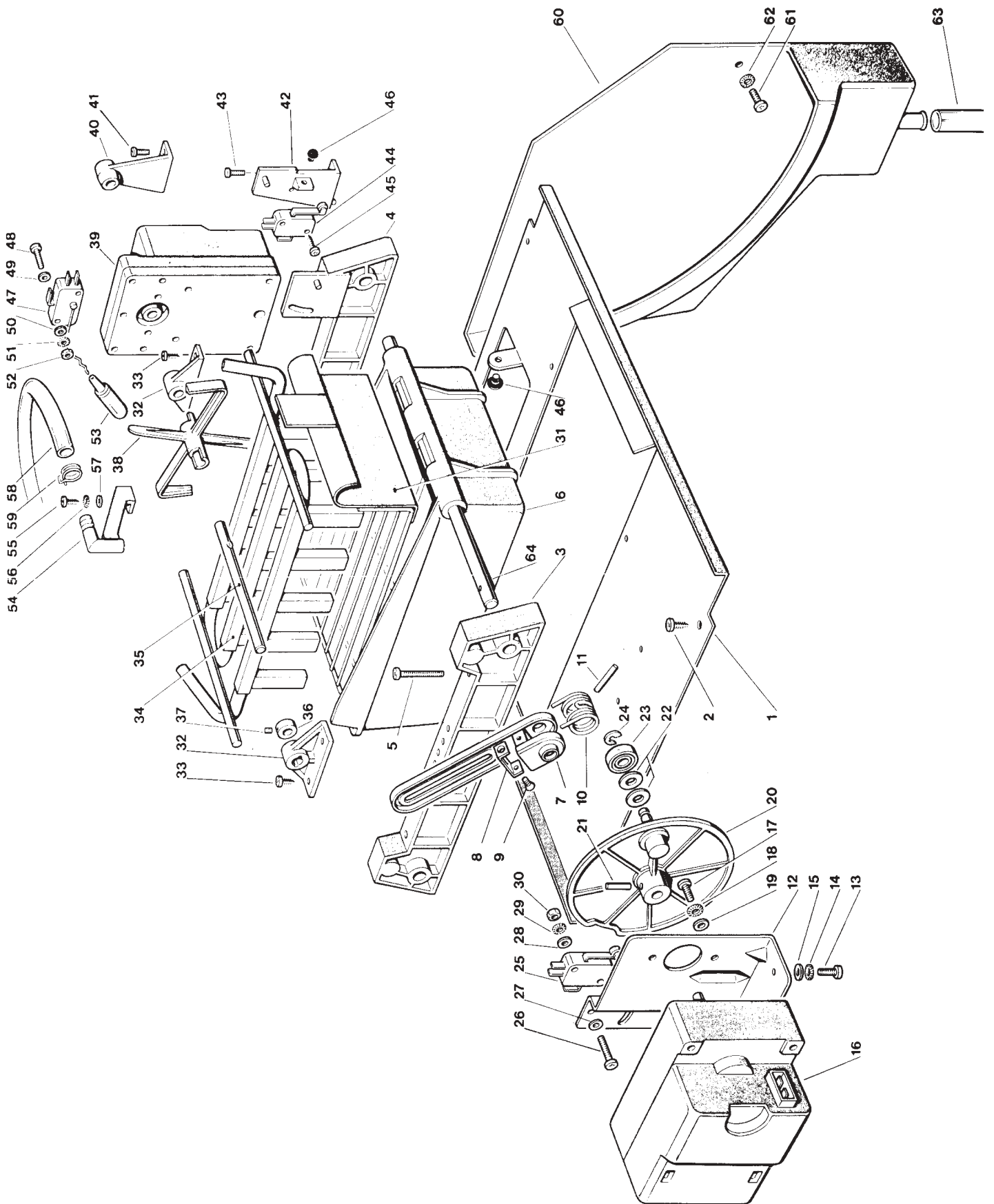


## GP 20-90

**Spare parts list**  
**Catalogo ricambi**  
**Catalogues pièces détachées**



Pos. Nr.	Codice Code	Descrizione	Description	Description	Quantità Q.ty Q.tè
1	81400713/0	ASSIEME MOBILE	CABINET ASS'Y	ENSEMBLE MEUBLE	1
10	25110102/0	BUSSOLA	BUSH	DOUILLE	2
11	12727960/0	VITE	SCREW	VIS	2
12	81401585/0	PANNELLO POSTERIORE	REAR PANEL	PANNEAU ARRIERE	1
12A	81401629/0	PANNELLO POSTERIORE (DA DICEMBRE 2001)	REAR PANEL (FROM DECEMBER 2001)	PANNEAU ARRIERE (DEPUIS DECEMBRE 2001)	1
13	12788106/0	VITE	SCREW	VIS	4
14	25610078/0	PRESA D'ARIA	AIR INTAKE	PRISE D'AIR	2
15	81400707/0	ASSIEME PORTA	COMPLETE DOOR	PORTE COMPLETE	1
16	19120050/0	CERNIERA	HINGE	CHARNIERE	2
17	12768410/0	VITE	SCREW	VIS	8
20	19355002/0	MAGNETE	MAGNET	MAGNETO	2
20A	25570454/0	PIASTRINA PER MAGNETE	MAGNET PLATE	PLAQUETTE POUR MAGNETO	2
21	25726478/0	SUPPORTO	SUPPORT	SUPPORT	2
22	12768410/0	VITE	SCREW	VIS	4
23	25085096/0	ALBERINO	SHAFT	ARBRE	1
24	25250099/0	DEFLETTORE	DEFLECTOR	DEFLECTEUR	1
26	12728106/0	VITE	SCREW	VIS	2
27	25260525/0	ROSETTA	WASHER	RONDELLE	2
28	25725436/0	SUPPORTO	SUPPORT	SUPPORT	2
29	12728106/0	VITE	SCREW	VIS	4
30	25161095/0	COPERCHIO	COVER	COUVERCLE	1
31	25550071/0	PANN. SUP. ISOL. COPERCHIO	INSULATOR	PANNEU ISOLATN	1
31A	25550070/0	PANN. VERT. ISOL. COPERCHIO	INSULATOR	PANNEU ISOLATN	1
32	12727965/0	VITE	FRONT PANEL	VIS	2
37	19262419/0	ETICHETTA	LABEL	PLAQUETTE	1
38	19500100/0	PALETTA	ICE SCOOP	PALLE A GLACE	1
39	25470044/0	MASCHERINA	PANEL	PANNEAU	1
40	25753241/0	TRAVERSA ANT. SUP.	UPPER CROSS MEMBER	TRAVERSE SUPERIEURE	1
41	25753262/0	TRAVERSA ANT. INF.	TOWER CROSS MEMBER	TRAVERSE INFERIEURE	1



Pos. Nr.	Codice Code	Descrizione	Description	Description	Quantità Q.ty Q.té
1	25745124/0	TELAIO EVAPORATORE	EVAPORATOR FRAME	PLAQUE SUPPORT EVAPORATEUR	1
1A	25745127/0	TELAIO EVAPORATORE (DA APRILE 2000)	EVAPORATOR FRAME (FROM APRIL 2000)	PLAQUE SUPPORT EVAPORATEUR (DEPUIS AVRIL 2000)	1
2	12726405/0	VITE	SCREW	VIS	4
3	25726121/0	SUPPORTO EVAPORATORE	SUPPORT	SUPPORT	1
4	25726122/0	SUPPORTO EVAPORATORE	SUPPORT	SUPPORT	1
5-55	12727301/0	VITE	SCREW	VIS	4
6	81403005/0	BACINELLA CON LEVERAGGI	COMPLETE TILTING PAN	BAC COMPLETE	1
6A	81401621/0	BACINELLA CON LEVERAGGI (DA APRILE 2000)	COMPLETE TILTING PAN (FROM APRIL 2000)	BAC COMPLETE (DEPUIS AVRIL 2000)	1
7	25440110/0	LEVA	LEVER	LEVIER	1
8	25325953/1	PIASTRINA	STOP PLATE	PLAQUETTE	1
9	12825292/0	VITE	SCREW	VIS	2
10	25474600/0	MOLLA	SPRING	RESSORT	1
11	25560256/0	PERNO	GUDGEON	PIVOT	1
12	25725429/0	SUPPORTO	SUPPORT	SUPPORT	1
13	12788801/0	VITE	SCREW	VIS	2
14	12540740/0	ROSETTA	WASHER	RONDELLE	2
15	12521540/0	RONDELLA	WASHER	RONDELLE	2
16	81404000/0	ASSIEME MOTORIDUTTORE/ DISCO/ SUPPORTO/ MICRO R 12	MOTOR/SUPPORT/CAM MICRO ASS'Y R 12	ENSEMBLE MOTOREDUCTEUR/ SUPPORT/ CAME/ MICRO R 12	1
16A	81404024/0	ASSIEME MOTORIDUTTORE/ DISCO/ SUPPORTO/ MICRO R 134a	MOTOR/SUPPORT/CAM MICRO ASS'Y R 134a	ENSEMBLE MOTOREDUCTEUR/ SUPPORT/ CAME/ MICRO R 134a	1
17	12788275/0	VITE	SCREW	VIS	3
18	12540730/0	ROSETTA	WASHER	RONDELLE	3
19	12521530/0	RONDELLA	WASHER	RONDELLE	3
20	25260000/0	DISCO	CAM	CAME DE BASCULER	1
21	12639300/0	SPINA	PIN	GOUPILLE	1
22	25654016/0	RONDELLA	WASHER	RONDELLE	2
23	25110911/0	BUSSOLA	BUSH	DOUILLE	1
24	12000950/0	ANELLO D'ARRESTO	SEEGER	BAGUE D'ARRÊT	1
25	19410208/0	MICRO	MICRO	MICRO	1
26	12726055/0	VITE	SCREW	VIS	1
27-28	12521520/0	RONDELLA	WASHER	RONDELLE	2
29	12540720/0	ROSETTA	WASHER	RONDELLE	1
30	12290795/0	DADO	NUT	ECROU	1
31	81403045/0	CONVOGLIATORE	ICE DEFLECTOR	CONTRE CUVETTE	1
31A	81401622/0	CONVOGLIATORE (DA APRILE 2000)	ICE DEFLECTOR (FROM APRIL 2000)	CONTRE CUVETTE (DEPUIS AVRIL 2000)	1
32	25726115/3	SUPPORTO ALBERO PALETTE	PADDLE SHAFT SUPPORT	SUPPORT ARBRE PALETTES	2
33	12728106/0	VITE	SCREW	VIS	4
34	81402001/0	EVAPORATORE R 12	EVAPORATOR R 12	EVAPORATEUR R 12	1
34A	81402037/0	EVAPORATORE R 22 - R 134a	EVAPORATOR R 22 - R 134a	EVAPORATEUR R 22 - R 134a	1
34B	81401620/0	EVAPORATORE - R 134A (DA APRILE 2000)	EVAPORATOR - R 134A (FROM APRIL 2000)	EVAPORATEUR - R 134A (DEPUIS AVRIL 2000)	1
35	25030006/0	ALBERO PALETTE	PADDLE SHAFT	ARBRE PALETTES	1
35A	25030022/0	ALBERO PALETTE (DA APRILE 2000)	PADDLE SHAFT (FROM APRIL 2000)	ARBRE PALETTES (DEPUIS AVRIL 2000)	1
36	25110914/0	BUSSOLA	BUSH	DOUILLE	2
37	12712002/0	VITE	SCREW	VIS	2
38	25545520/2	PALETTA	PADDLE	PALETTE	2
39	19440059/0	MOTORIDUTTORE PALETTE	PADDLE MOTOR	MOTOREDUCTEUR PALETTES	1
40	25725433/0	SUPPORTO MOTORIDUTTORE	PADDLE MOTOR SUPPORT	SUPPORTMOTOREDUCTEUR PALETTES	1
41	12726405/0	VITE	SCREW	VIS	2
42	25525419/0	SUPPORTO	SUPPORT	SUPPORT	1
43	12726405/0	VITE	SCREW	VIS	2
44	19410209/0	MICROIMPULSI	MICRO	MICRO	1
45	12726141/0	VITE	SCREW	VIS	1
46	19350302/0	GOMMINO	RUBBER	CAPSULE	2
47-53	81409179/0	ASS. MICROGALLEGGIANTE	MICRO/ FLOAT BALL ASS'Y	ENSEMBLE MICRO/ FLOTTEUR	1
48	12726055/0	VITE	SCREW	VIS	1
49	12521520/0	RONDELLA	WASHER	RONDELLE	1
51	12540720/0	ROSETTA	WASHER	RONDELLE	1
52	12290795/0	DADO	NUT	ECROU	1
54	25300000/0	RACCORDO ENTRATA ACQUA	WATER INLET TUB	TUYAU ENTREE EAU	1
56	12540730/0	ROSETTA	WASHER	RONDELLE	1
57	12521530/0	RONDELLA	WASHER	RONDELLE	1
58	25791018/0	TUBO	TUBE	TUYAU	1
59	19280700/0	FASCETTA	CLAMP	BANDE	1
60	25820083/0	VASCHETTA	PAN	BAC	1
61	12728106/0	VITE	SCREW	VIS	2
62	12540730/0	RONDELLA	WASHER	RONDELLE	2
63	25780153/0	TUBO SCARICO	DRAIN PIPE	TUYAU D'ECOULEMENT	1
64	25030004/0	ALBERO BACINELLA	SHAFT	ARBRE	1



Pos. Nr.	Codice Code	Descrizione	Description	Description	Quantità Q.ty Q.té
1	25114006/0	BASAMENTO	BASE	CHASSIS	1
1A	25115023/0	BASAMENTO PER THB4419Y	BASE FOR THB4419Y	CHASSIS THB4419Y	1
2-5-6	19166162/0	COMPRESSORE R12	COMPRESSOR R12	COMPRESSEUR R12	1
2E	19560138/0	PROTETTORE R12	PROTECTOR R12	PROTECTION R12	1
2F	19621675/0	RELÉ R12	RELAY R12	RELAIS R12	1
2G	19165484/0	COMPRESSORE L40TN U.H. R22	COMPRESSOR R22	COMPRESSEUR R22	1
2H	19621681/0	RELÉ R22	RELAY R22	RELAIS R22	1
2I	19560147/0	PROTETTORE R22	PROTECTOR R22	PROTECTION R22	1
2L	19180456/0	CONDENSATORE DI SPUNTO R22	START CONDENSER R22	CONDENSATEUR DE DEMARRAGE R22	1
2M	19165497/0	COMPRESSORE GL45 TB (R 134A)	COMPRESSOR GL45 TB (R 134A)	COMPRESSEUR GL45 TB (R 134A)	1
2N	19180464/0	CONDENSATORE DI SPUNTO R 134A	START CONDENSER R 134A	CONDENSATEUR DE DEMARRAGE R 134A	1
2O	19618001/0	RELÉ R12 R 134A	RELAY R12 R 134A	RELAIS R12 R 134A	1
2P	19560131/0	PROTETTORE R 134A	PROTECTOR R 134A	PROTECTION R 134A	1
2Q	19165587/0	COMPRESSORE TNB4419Y (R 134A) (DA MAGGIO 2003)	COMPRESSOR TNB4419Y (R 134A) (FROM MAY 2003)	COMPRESSEUR TNB4419Y (R 134A) (DEPUIS MAY 2003)	1
3	19864900/0	VALVOLINA DI CARICA	CHARGE VALVE	VANNE DE CHARGE	1
5	19490006/0	PIEDINO AMORTIZZATO (DA SETTEMBRE 2001)	FOOT SHOCK ABSORBER (FROM SEPTEMBER 2001)	AMORTIZATEUR DE VIBRATIONS (DEPOIS SEPTEMBRE 2001)	1
11	25690806/0	SCARICO H2O MACCHINA	WATER DRAIN PIPE	ECOULEMENT D'EAU	1
15	33320521/0	FISSACAVO	CABLE FASTNER	FIXATION DU CABLE	1
18	19863033/0	VALVOLA GAS	GAS VALVE	VANNE DE GAZ	1
20	10106332/0	FILTRO DISIDRATORE R12-R22	DRIER R12-R22	FILTRE DESHYDRATEUR R12-R22	1
20A	19300802/0	FILTRO DISIDRATORE R 134A	DRIER R 134A	FILTRE DESHYDRATEUR R 134A	1
21	19177502/0	CONDENSATORE R12-R22	CONDENSER R12-R22	CONDENSATEUR R12-R22	1
21A	19177509/0	CONDENSATORE R 134A	CONDENSER R 134A	CONDENSATEUR R 134A	1
27	18562503/0	ELETTRVENTILATORE	FAN MOTOR	VENTILATEUR	1
32	81408419/0	ASS. SCAMBIATORE R12	EXCHANGER ASS'Y R12	ECHANGEUR R12	1
32A	81408421/0	ASS. SCAMBIATORE R 22 - R 134A	EXCHANGER ASS'Y R12 - R 134A	ECHANGEUR R12 - R 134A	1
32B	81408421/0	ASS. SCAMBIATORE R 134A (DA MAGGIO 2003)	EXCHANGER ASS'Y R 134A (FROM MAY 2003)	ECHANGEUR R 134A (DEPUIS MAY 2003)	1
33	25726327/0	SUPPORTO	SUPPORT	SUPPORT	1
34	19865502/0	ELETTRVALVOLA H2O	ELECTRO VALVE H2O	ELECTRO VANNE EAU H2O	1
36	19810111/0	ASS. TUBO ENTRATA H2O	WATE INLET TUBE ASS'Y	ASS. TUYAU ENTREE EAU	1
36A	19810114/0	TUBO SCARICO H2O	DRAIN PIPE	TUYAU DE DECHARG	1
37	25726326/0	SUPPORTO CABLAGGIO	CABLE SUPPORT	SUPPORT ELECTRIQUE	1
46	19797017/0	TERMOSTATO DEPOSITO	BIN THERMOSTAT	BAC THERMOSTAT	1
47	19620107/0	RELÉ	RELAY	RELAIS	1
48	19350158/0	GUARNIZIONE	GASKET	GARNITURE	2