

AF1D Parts List

Table of Contents

Cabinet

Refrigeration

Water and Drainage

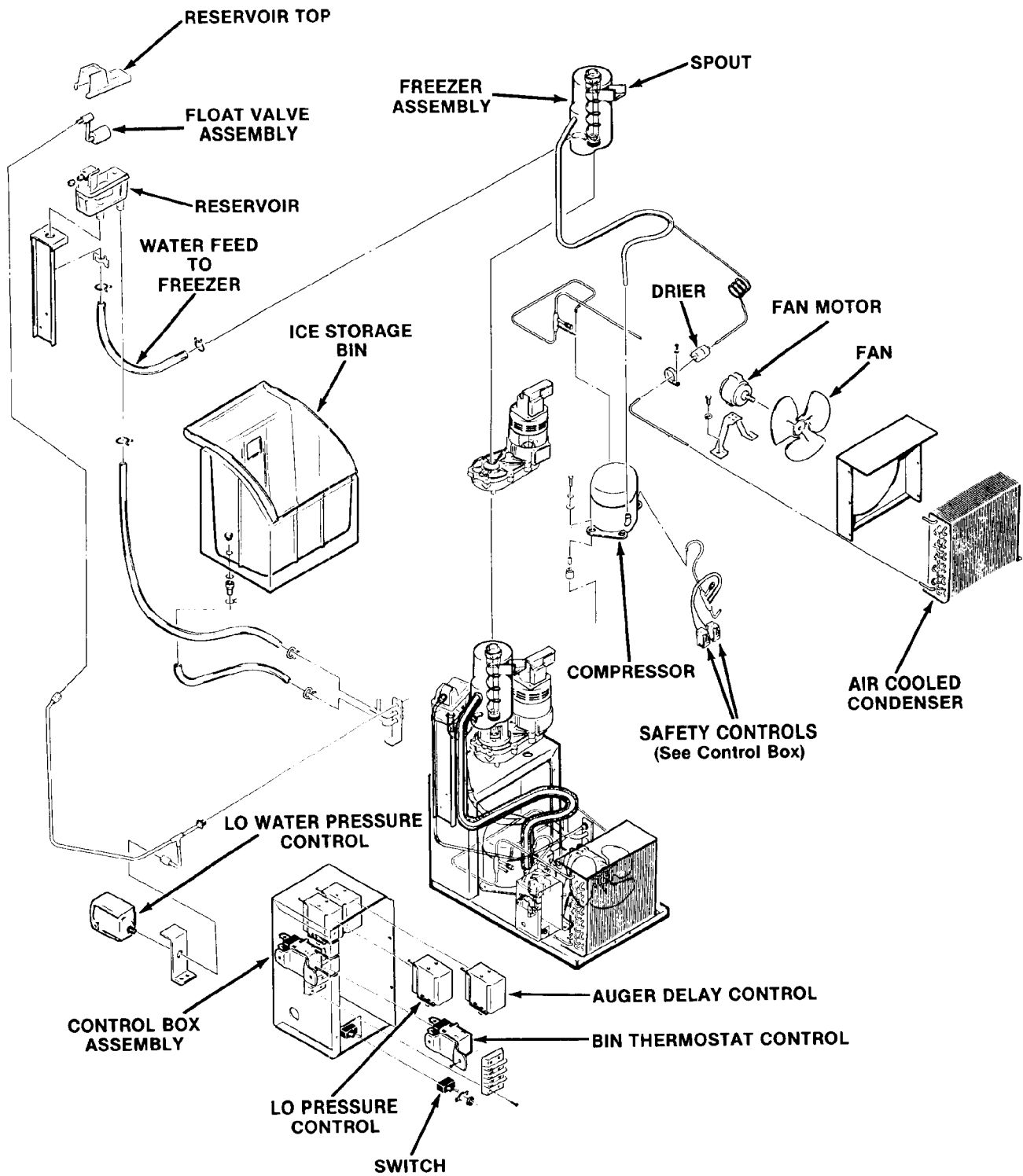
Freezer

Gear Motor

Control Box

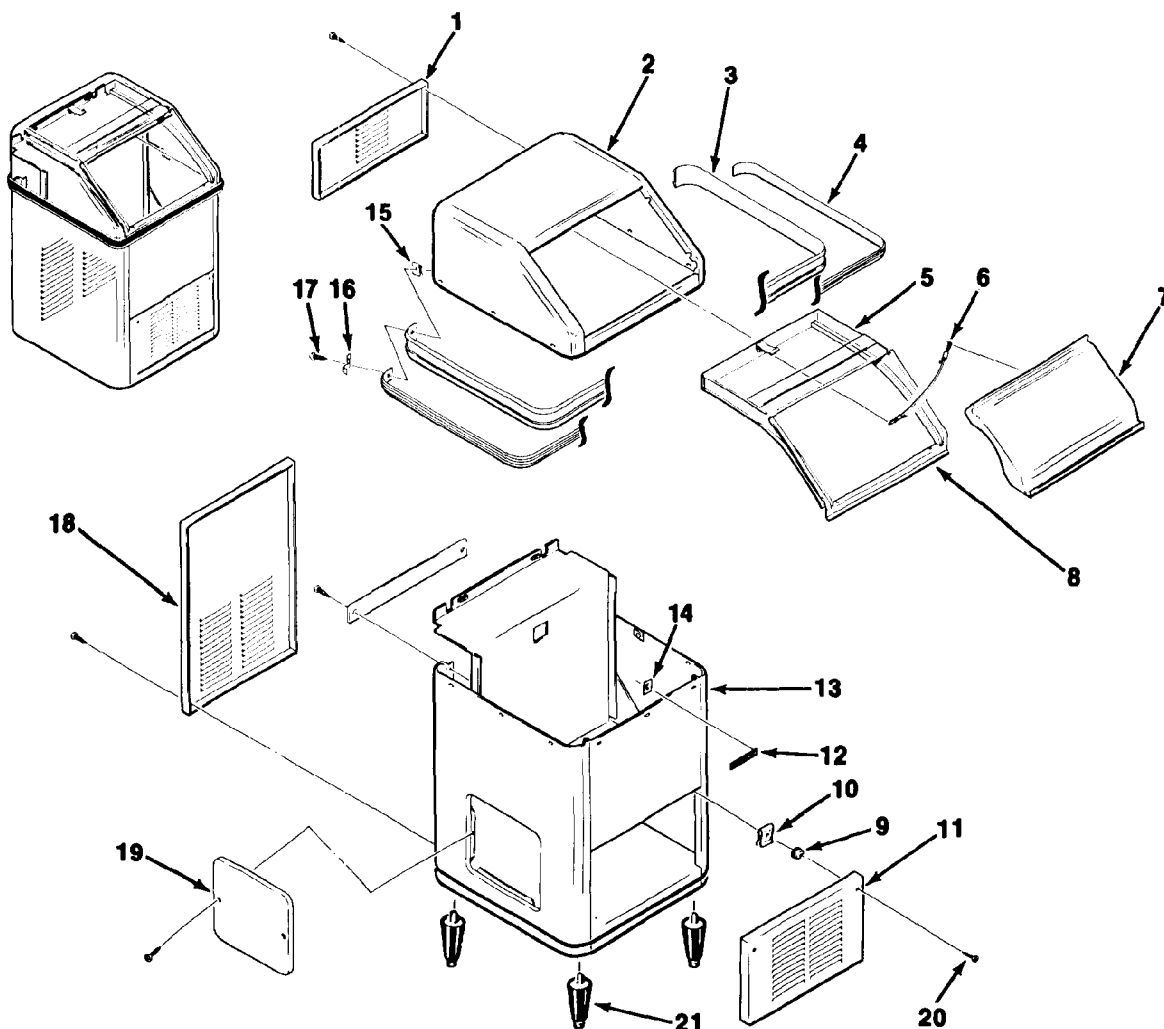
Wiring Diagrams

AF1 THE PARTS ILLUSTRATIONS AND PARTS LISTS



AF1 Flaked Icemaker
Component Location

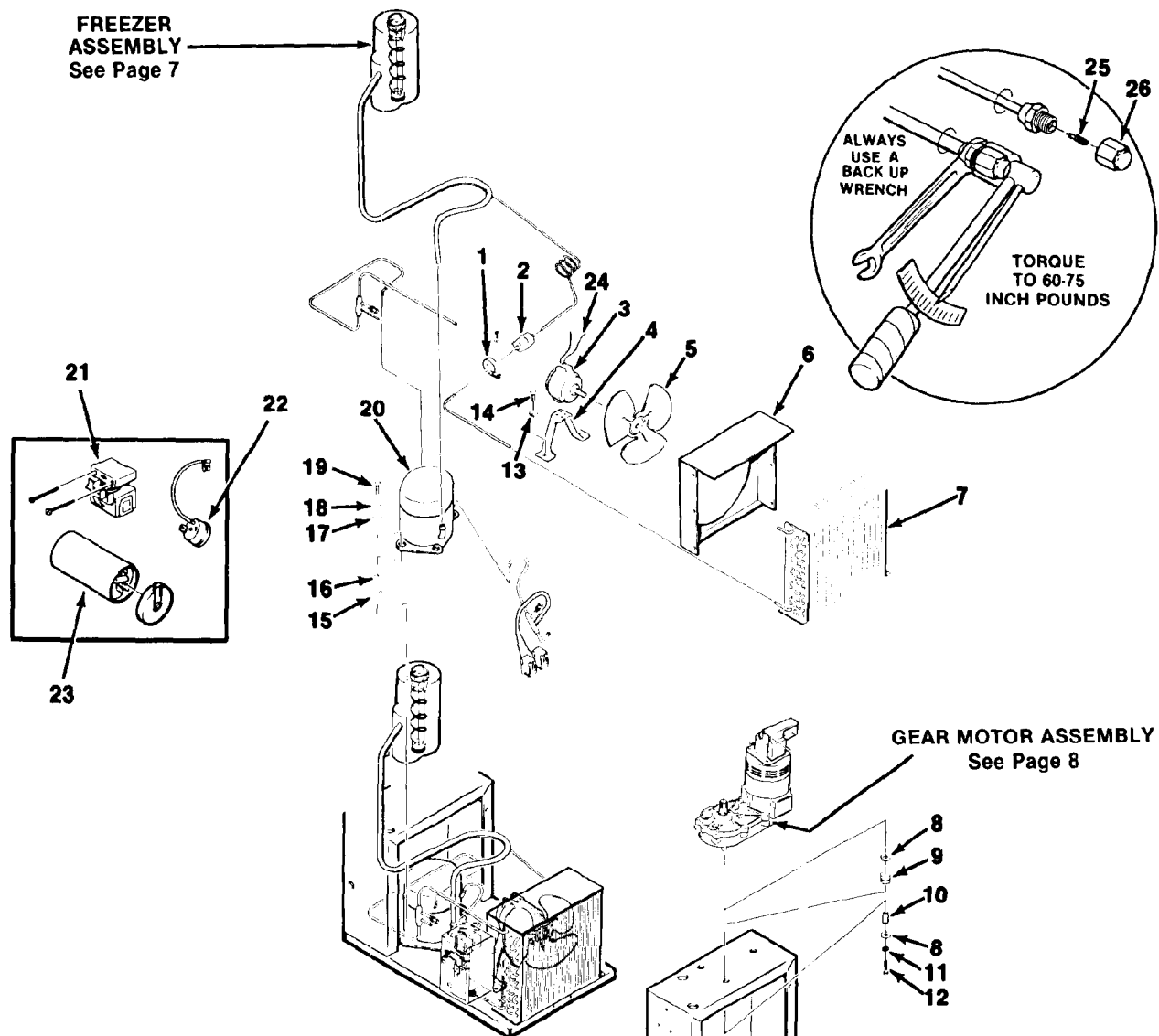
AF1 THE PARTS ILLUSTRATIONS AND PARTS LISTS



CABINET ASSEMBLY

ITEM NUMBER	PART NUMBER	DESCRIPTION			
			11	A24427-003	Front Door Assembly (Enamel)
				A24427-002	Front Door Assembly (Stainless Steel)
1	A25325-003	Hood Panel, Rear (Enamel)	12	15-0718-00	Scotsman Emblem
	A25325-002	Hood Panel, Rear (Stainless Steel)	13	A25847-003	Case Assembly (Enamel)
2	A24429-003	Hood Assembly (Enamel)		A25847-002	Case Assembly (Stainless Steel)
	A24429-002	Hood Assembly (Stainless Steel)	14	03-0271-00	Push Nut (2)
3	A25342-001	Moulding Strip (Enamel)	15	03-1507-00	Speed Nut
4	15-0324-00	Plastic Insert, per foot (7')	16	S08983-000	Clip (2)
5	A16208-000	Door Track	17	03-1419-07	Screw
6	02-1736-00	Door Lanyard	18	A25326-003	Case Panel, Rear (Enamel)
7	02-1735-01	Door Access (Enamel)		A25326-002	Case Panel, Rear (Stainless Steel)
	02-1735-02	Door Access (Stainless Steel)	19	A07676-006	Service Door (Enamel)
8	03-1195-00	Hood Guide (3)		A07676-00S	Service Door (Stainless Steel)
9	13-0113-00	Door Grommet (2)	20	03-1419-09	Screw
10	03-1423-06	Speed Nut (2)	21	KLP2E	Enamel
				KLP2S	Stainless Steel

AF1 THE PARTS ILLUSTRATIONS AND PARTS LISTS



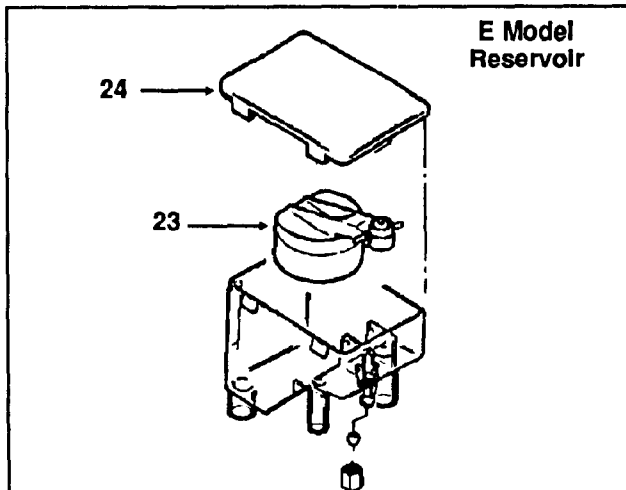
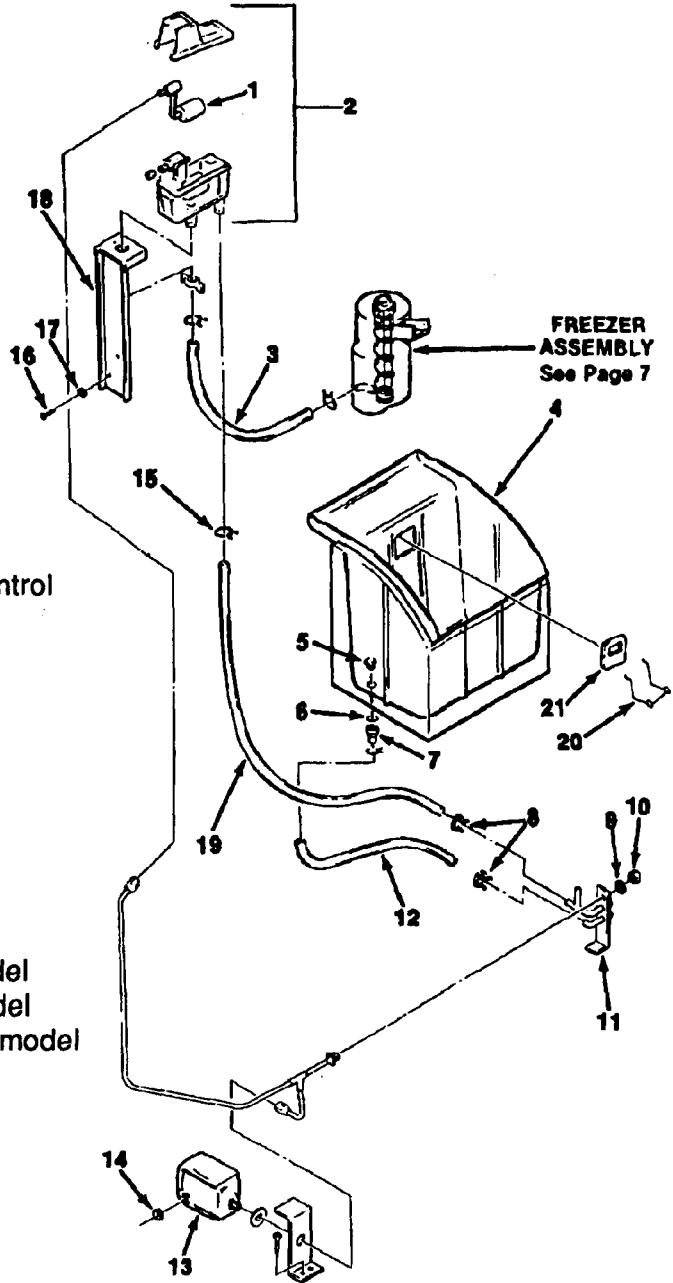
REFRIGERATION ASSEMBLY

ITEM NUMBER	PART NUMBER	DESCRIPTION
1	A09386-000	Drier Brace
2	02-2426-01	Drier
3	12-1575-01	Fan Motor
4	18-0422-00	Fan Motor Mount
5	18-0231-00	Fan Blade
6	02-2563-01	Shroud
7	18-0140-00	Condenser
8	03-1403-02	Washer
9	13-0639-00	Grommet
10	A24925-001	Spacer
11	03-1410-03	Washer
12	03-1405-45	Screw
13	03-1417-09	Lockwasher
14	03-0574-00	Screw
15	18-4700-28	Mounting Grommet
16	18-0108-41	Mounting Sleeve
17	03-1408-29	Washer
18	03-1410-04	Lockwasher
19	03-1405-20	Screw
20	18-4700-51	Compressor
21	18-4700-53	Compressor Relay
22	18-4700-52	Compressor Overload
23	18-4700-54	Compressor Start Capacitor
24	12-1573-07	Fan Motor Wire
25	16-0560-00	Valve Core
26	16-0563-00	Valve Cap

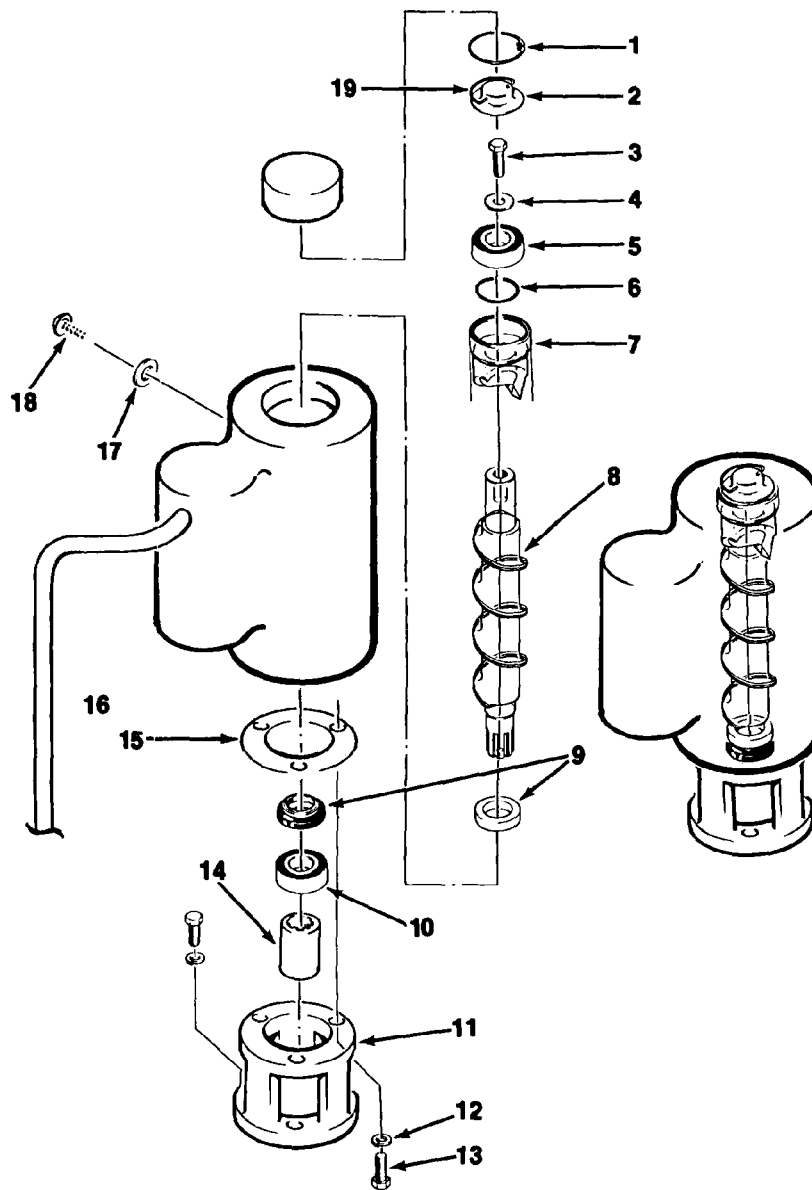
AF1 SERVICE PARTS

WATER AND DRAIN SYSTEM

Item Number	Part Number	Description
1	02-2217-02	A-D model float
2	02-2217-01	A-D model Reservoir
3	13-0674-09	Water Tube 8"
4	02-2763-02	Storage Bin
5	02-1751-00	Drain Fitting
6	13-0617-36	O-Ring
7	02-1957-01	Drain Tube
8	02-1338-00	Clamp
9	03-1409-04	Washer
10	03-1394-00	Nut
11	no number	Water Ser. Bracket
12	13-0079-01	Tube 6"
13	11-0296-00	Lo water pressure control
14	12-1213-10	Snap Bushing
15	02-0534-00	Clamp
16	03-0571-00	Screw
17	03-1417-09	Lockwasher
18	no number	Mounting Bracket
19	13-0079-03	Hose, 30"
20	03-1415-00	Bulb holder
21	13-0779-00	Spout Grommet
22	A24180-001	Bin stat insul. (not illustrated)
23	A32922-020	Float Assy. for E model
24	02-2936-01	Res. Cover for E model
25	A32929-020	Res. Assembly for E model



AF1 THE PARTS ILLUSTRATIONS AND PARTS LISTS



FREEZER ASSEMBLY

ITEM NUMBER	PART NUMBER	DESCRIPTION		PART NUMBER	DESCRIPTION
1	03-1558-03	Retaining Ring	9	02-1300-01	Water Seal
2	A07701-000	Freezer Cap	10	02-0417-00	Bearing
3	03-0758-00	Screw	11	08-0595-01	Adapter
4	A07699-000	Washer	12	03-1410-04	Washer
5	02-0547-00	Bearing	13	03-1420-01	Hex Cap Screw
6	13-0617-16	O-ring	14	A29915-002	Spline Coupling
7	A26706-001	Ice Breaker Assembly, Includes Items 5-6-7	15	13-0628-00	Gasket
8	A29480-001	Auger	16	A29359-020	Evaporator Shell Includes Suction Line Assembly
			17	03-1417-07	Washer
			18	03-1403-46	Pan Head Machine Screw, Phillips Recess
			19	A08162-000	Cap Hook

AF1 THE PARTS ILLUSTRATIONS AND PARTS LISTS

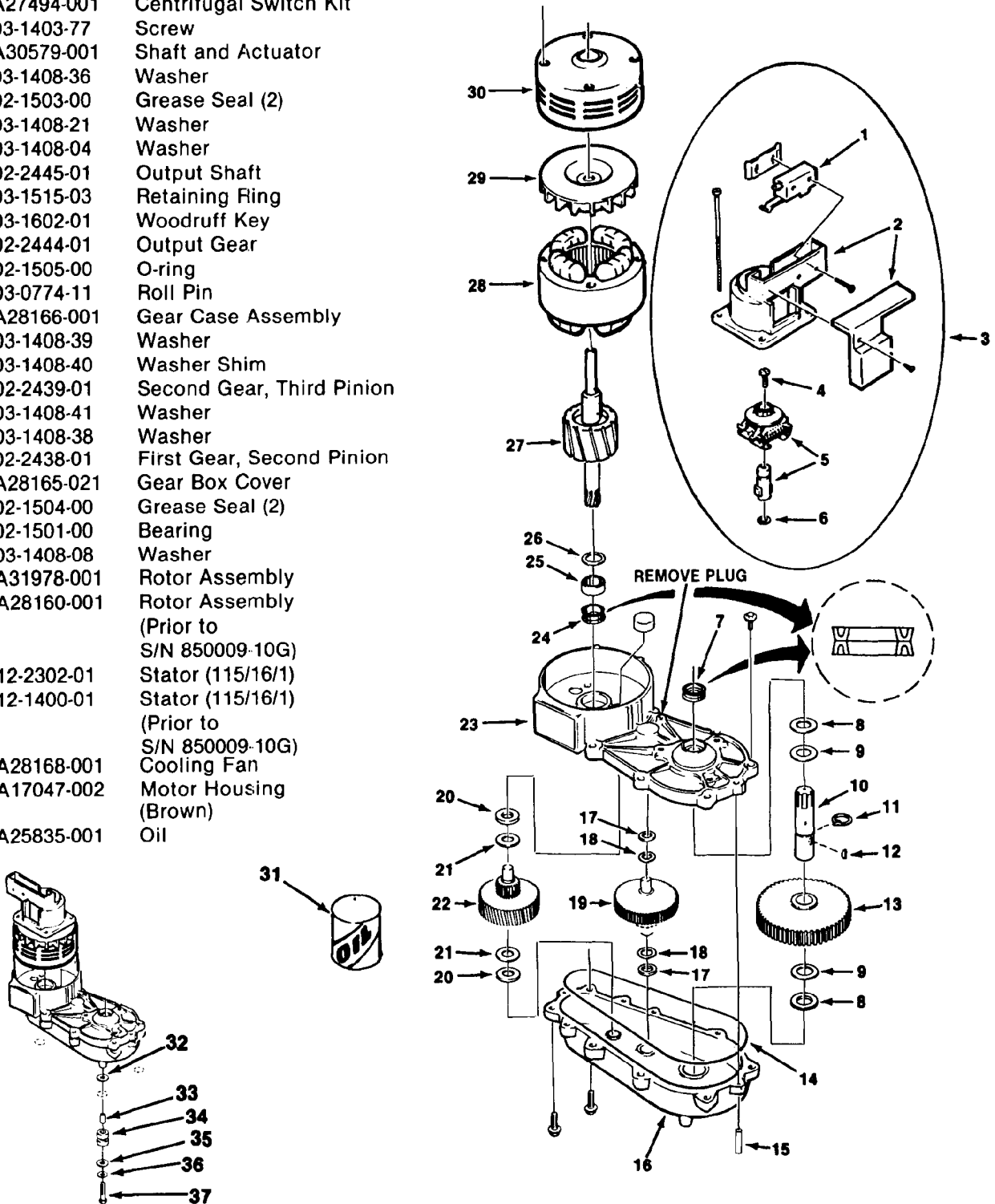
GEAR MOTOR ASSEMBLY

A31977-021

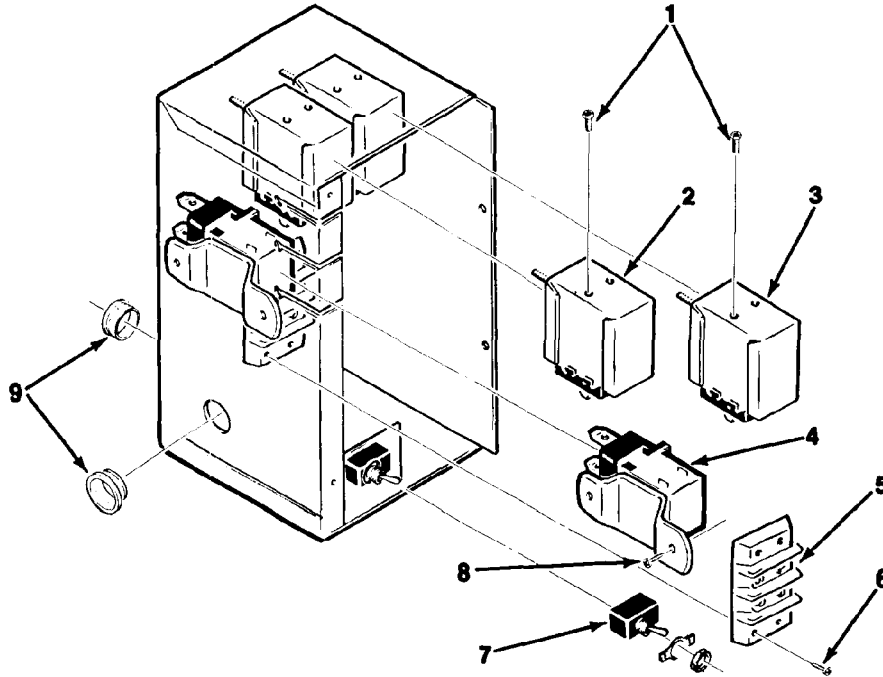
Use after SN 850009-10G

ITEM NUMBER	PART NUMBER	DESCRIPTION
1	12-2059-01	Switch
2	A27895-001	Housing
3	A27494-001	Centrifugal Switch Kit
4	03-1403-77	Screw
5	A30579-001	Shaft and Actuator
6	03-1408-36	Washer
7	02-1503-00	Grease Seal (2)
8	03-1408-21	Washer
9	03-1408-04	Washer
10	02-2445-01	Output Shaft
11	03-1515-03	Retaining Ring
12	03-1602-01	Woodruff Key
13	02-2444-01	Output Gear
14	02-1505-00	O-ring
15	03-0774-11	Roll Pin
16	A28166-001	Gear Case Assembly
17	03-1408-39	Washer
18	03-1408-40	Washer Shim
19	02-2439-01	Second Gear, Third Pinion
20	03-1408-41	Washer
21	03-1408-38	Washer
22	02-2438-01	First Gear, Second Pinion
23	A28165-021	Gear Box Cover
24	02-1504-00	Grease Seal (2)
25	02-1501-00	Bearing
26	03-1408-08	Washer
27	A31978-001	Rotor Assembly
	A28160-001	Rotor Assembly (Prior to S/N 850009-10G)
28	12-2302-01	Stator (115/16/1)
	12-1400-01	Stator (115/16/1) (Prior to S/N 850009-10G)
29	A28168-001	Cooling Fan
30	A17047-002	Motor Housing (Brown)
31	A25835-001	Oil

32	03-1408-02	Washer
33	A24925-001	Spacer
34	13-0639-00	Grommet
35	03-1408-02	Washer
36	03-1410-03	Washer
37	03-1405-45	Screw



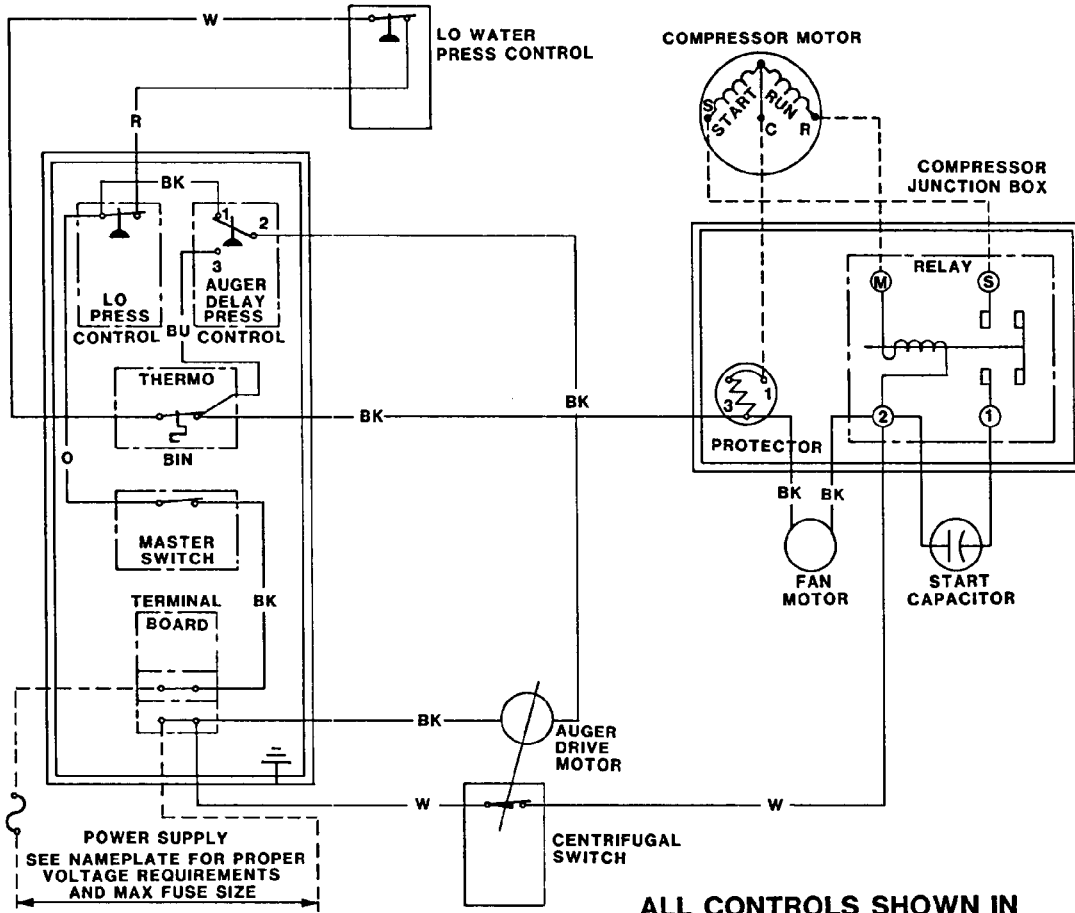
AF1 THE PARTS ILLUSTRATIONS AND PARTS LISTS



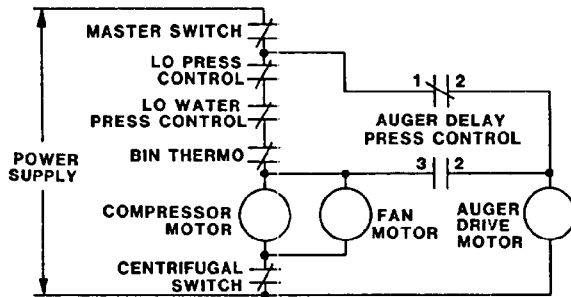
CONTROL BOX ASSEMBLY

ITEM NUMBER	PART NUMBER	DESCRIPTION
1	03-1403-02	Pan Head Machine Screw, Phillips Recess
2	11-0420-01	Automatic Lo Pressure Control
3	11-0402-01	Auger Delay Control
4	11-0354-00	Bin Thermostat
5	12-0813-04	Terminal Board
6	03-1403-31	Pan Head Machine Screw, Phillips Recess
7	12-0426-01	Master Switch
8	03-1403-17	Pan Head Machine Screw, Phillips Recess
9	12-1213-10	Snap Bushing

AF1 THE PARTS ILLUSTRATIONS AND PARTS LISTS



ALL CONTROLS SHOWN IN NORMAL ICE MAKING MODE



A30988-001

**USE COPPER
CONDUCTORS ONLY
THIS UNIT MUST
BE GROUNDED**

Wiring Diagram — AF1A-D (115/60/1) Air-Cooled