

# **AF730 Parts List**

## **Table of Contents**

**Cabinet**

**Air Cooled**

**Water Cooled**

**Compressor**

**Spout**

**Evaporator**

**Gear Reducer**

**Control Box**

**Wiring Diagrams**

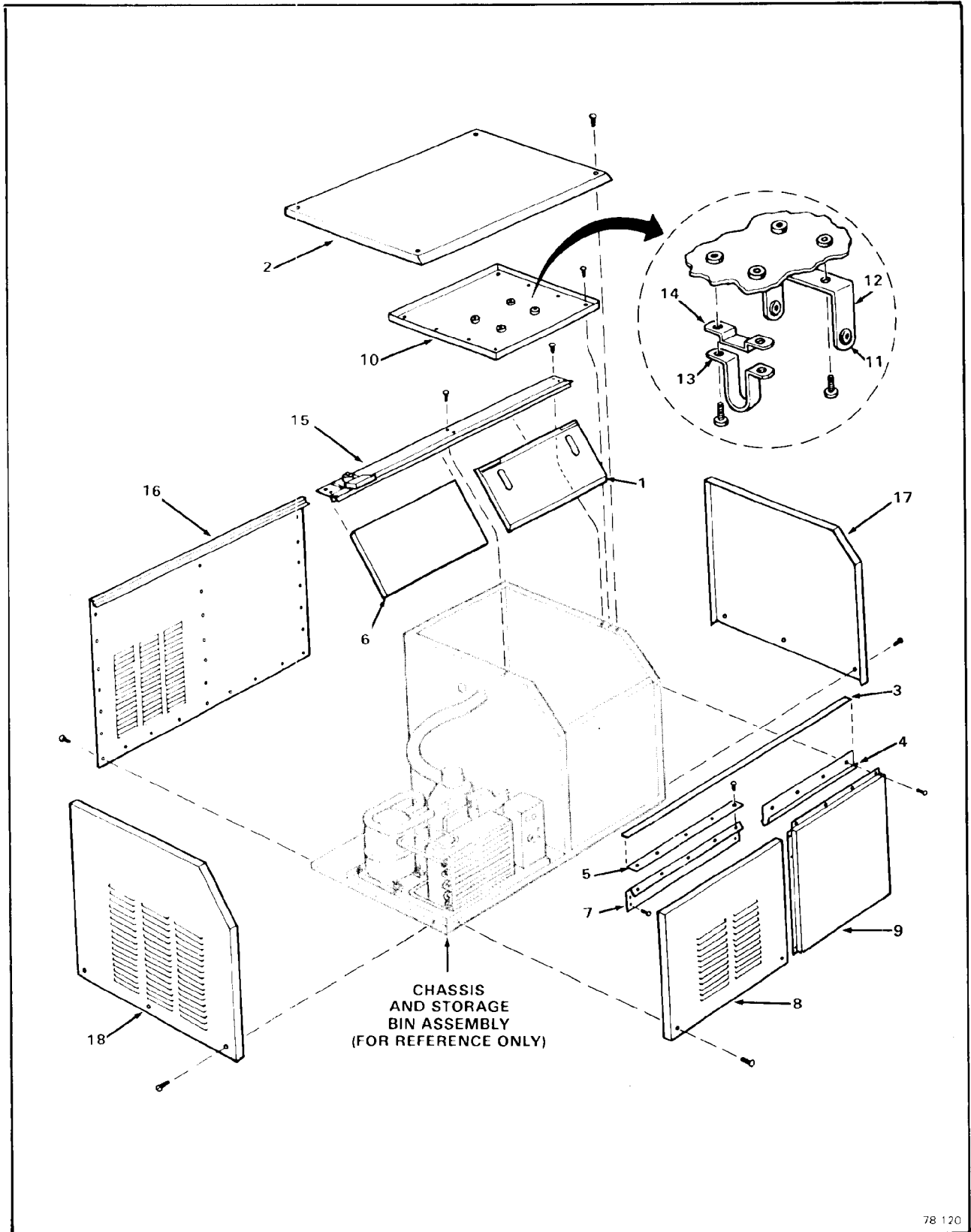


Figure 8-1. AF-730 Cabinet

Figure 8-1. AF-730 Cabinet.

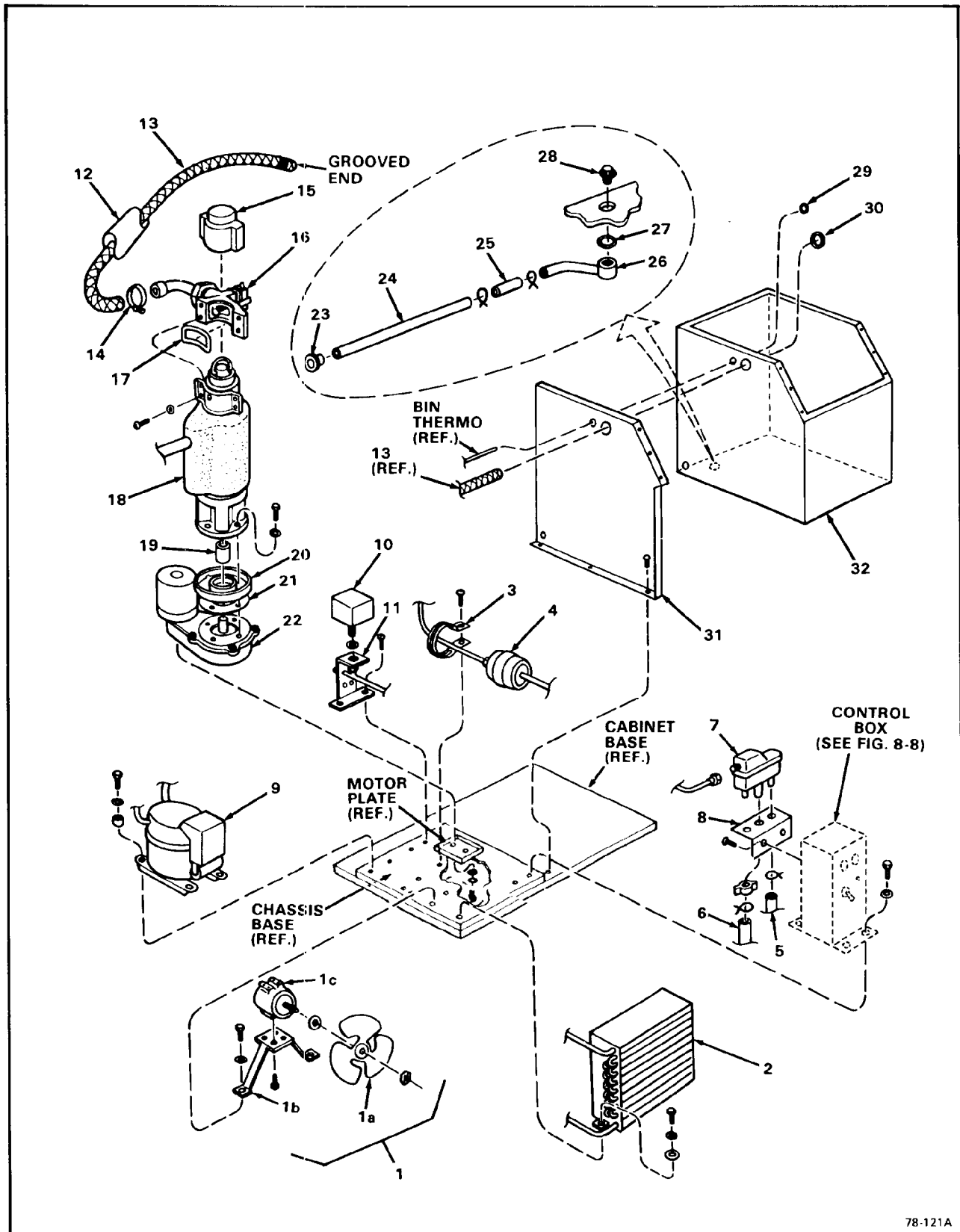
INDEX NO.	DESCRIPTION	PART NUMBER	REQ'D NUMBER
	AF-730 Cabinet * * *	No Number	1
1	Door, Ice Access (Orange w/C.R.S. Painted Cabinet) Door, Ice Access (Gray w/Stainless Steel Cabinet) * * *	02-2130-01 02-2130-02	1 1
2	Panel, Top (C.R.S.) Painted) Panel, Top (Stainless Steel) attaching parts, Index 2 Screw, No. 8 x 1-3/4 S/T Flat Hd * * *	A24799-003 A24799-002 03-1419-19	1 1 4
3	Insert, Plastic (43.44 in. lg.) * * *	15-0324-00	1
4	Strip, Moulding — Right Side attaching parts, Index 4 & 9 Screw, No. 8 x 3/8 S/T Flat Hd * * *	15-0620-01 03-1419-05	1 4
5	Strip, Moulding — Left Side attaching parts, Index 5 to 8 Screw, No. 8 x 3/8 S/T Flat Hd * * *	15-0578-01 03-1419-05	1 5
6	Panel, Upper — Left Front (C.R.S. Painted) Panel, Upper — Left Front (Stainless Steel) * * *	A24795-003 A24795-002	1 1
7	Bracket, Left Front attaching parts, Index 5 & 7 Screw, No. 8 x 1/2 T/F Tap * * *	A24787-001 03-1404-09	1 4
8	Panel, Lower — Left Front (C.R.S. Painted) Panel, Lower — Left Front (Stainless Steel)	A24796-003 A24796-004	1 1

Figure 8-1. AF-730 Cabinet (cont'd)

INDEX NO.	DESCRIPTION	PART NUMBER	REQ'D NUMBER
	attaching parts, Index 8		
	Screw, No. 8 x 1 1/2 S/T Flat Hd	03-1419-16	2
	***		
9	Panel, Right Front (C.R.S. Painted)	A24794-003	1
	Panel, Right Front (Stainless Steel)	A24794-002	1
	attaching parts, Index 4 & 9		
	Screw, No. 8 x 3/8 S/T Flat Hd	03-1419-05	Ref.
	***		
10	Cover, Storage Bin	A27980-001	1
	attaching parts, Index 10		
	Screw, No. 8 x 1/2 T/F Tap	03-1404-09	10
	***		
11	Grommet	13-0557-00	2
12	Bracket, Bin Thermo	A27924-001	1
13	Holder, Tube	A27922-001	1
14	Retainer, Tube	A27923-001	1
	attaching parts, Index 12, 13, 14 to 10		
	Screw, Thumb -- No. 10-24 x 1/2 Knurled Hd	03-0727-00	4
	***		
15	Track Assembly, Door	A24790-001	1
	attaching parts, Index 15		
	Screw, No. 8 x 1/2 T/F Tap	03-1404-09	6
	***		
16	Panel, Back (Galvanized Steel)	A27033-003	1
	attaching parts, Index 16		
	Lockwasher, No. 8 External Tooth -- Carbon Steel Zinc Plated	03-1417-03	4
	Screw, No. 8 x 1/2 T/F Tap	03 1404 09	27
	***		
17	Panel, Right Side (C.R.S. Painted)	A24800-003	1
	Panel, Right Side (Stainless Steel)	A24800-002	1

Figure 8-1. AF-730 Cabinet (cont'd).

INDEX NO.	DESCRIPTION	PART NUMBER	REQ'D NUMBER
18	attaching parts, Index 17		
	Screw, No. 8 x 1/2 T/F Tap (SS)	03-1404-10	5
	* * *		
	Panel, Left Side (C.R.S. Painted)	A27034-003	1
	Panel, Left Side (Stainless Steel)	A27034-002	1
	attaching parts, Index 18		
	Lockwasher, No. 8 External Tooth — Carbon Steel Zinc Plated	03-1417-03	2
	Screw, No. 8 x 1/2 T/F Tap (SS)	03-1404-10	3



78-121A

Figure 8-2. Major Assemblies - Air-Cooled Models.

Figure 8-2. Major Assemblies — Air-Cooled Models

INDEX NO.	DESCRIPTION	PART NUMBER	REQ'D NUMBER
	Major Assemblies - Air-Cooled Models * * *	No. Number	Ref.
1	Bracket Assembly, Fan Motor and Mounting	No Number	1
1a	Blade, Fan	18-3309-01	1
	Pad, Vibration (p/o Fan Motor)	No Number	1
	Nut, Fan Mounting (p/o Fan Blade)	No Number	1
1b	Bracket, Fan Mounting	18-0422-00	1
1c	Motor, Fan	12-1576-01	1
	attaching parts, Index 1c to 1b		
	Screw (p/o Fan Motor)	No Number	4
	attaching parts, Index 1 to Chassis base		
	Lockwasher, No. 1/4 External Tooth - Carbon Steel Zinc Plated	03-1417-09	2
	Screw, No. 1/4-20 x 1/2 T/C Hex Hd	03-0571-00	2
	* * *		
2	Condenser - Air-Cooled	18-0396-01	1
	attaching parts, Index 2		
	Lockwasher, No. 1/4 External Tooth - Carbon Steel Zinc Plated	03-1417-09	2
	Screw, No. 1/4-20 x 1/2 T/C Hex Hd	03-0571-00	2
	* * *		
3	Brace, Drier	A09388-000	1
4	Drier	02-0544-01	1
	attaching parts, Index 3 and 4		
	Screw, No. 10-16 x 3/4 S/T	03-1360-01	1
	* * *		
5	Tube (Reservoir Overflow to Drip Pan)	13-0079-03	1
6	Tube (Reservoir to Freezer Inlet)	13-0674-09	1
	attaching parts, Index 5 and 6		
	Clamp (Index 5)	02-0535-00	1
	Clamp (Index 6)	02-0694-00	2
	* * *		

Figure 8-2. Major Assemblies — Air-Cooled Models (Cont'd)

INDEX NO.	DESCRIPTION	PART NUMBER	REQ'D NUMBER
7	Reservoir	02-2217-01	1
	Valve Assembly, Float (Not Shown)	02-2217-02	1
	attaching parts, Index 7		
	Wing Nut (p/o Reservoir)	No Number	1
	***		
8	Bracket, Mounting	A20959-000	1
	attaching parts, Index 8		
	Screw, No. 8-18 x 1/2 Phil Pan Hd	03-1572-01	2
	***		
9	Compressor (See Figure 8-4)	18-3900-01	1
	attaching parts, Index 9		
	Grommet	18-2200-28	4
	Sleeve, Mounting	18-2200-27	4
	Lockwasher, No. 5/16 External Tooth - Carbon Steel Zinc Plated	03-1417-12	4
	Washer, Special	03-1408-24	4
	Screw, No. 5/16-18 x 1-3/4 Hex Cap	03-1405-40	4
	***		
10	Control, Pressure - H <sup>2</sup> O	11-0296-00	1
11	Bracket, Utility	A27993-001	1
	O-Ring	13-0617-26	1
	attaching parts, Index 10 and 11		
	Nut, Pal	03-1394-00	1
	Screw, No. 10-16 x 3/4 S/T	03-1360-01	2
	***		
12	Covering, Tube	13-0279-00	1
13	Tube, Ice	A28042-001	1
	attaching parts, Index 12 and 13		
14	Clamp, Hose	02-0179-02	1
	***		

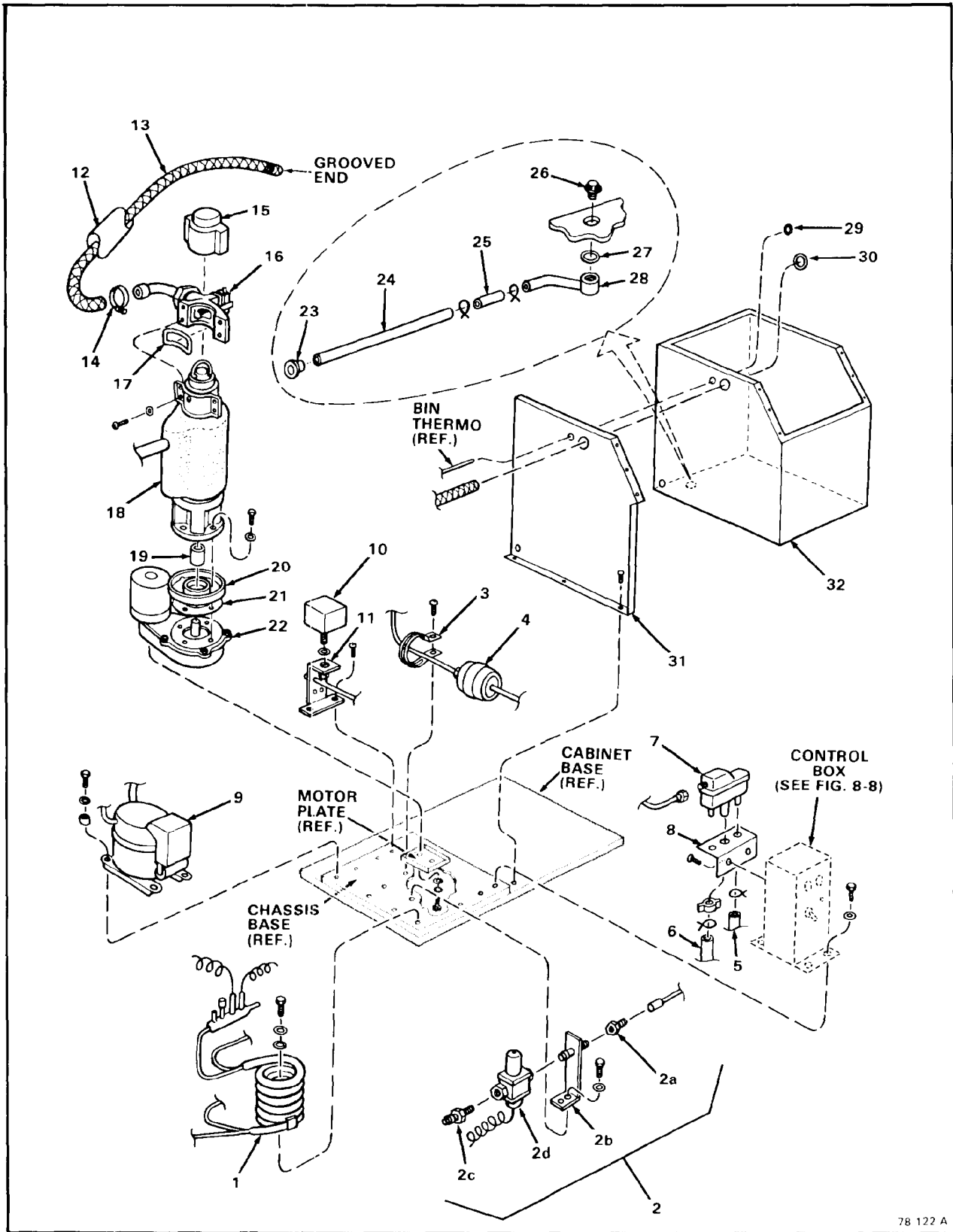


Figure 8-2. Major Assemblies — Air-Cooled Models (Cont'd)

INDEX NO.	DESCRIPTION	PART NUMBER	REQ'D NUMBER
15	Cap, Freezer * * *	13-0809-01	1
16	Spout Assembly (See Figure 8-5)	No Number	1
17	Gasket, Spout attaching parts, Index 16 and 17 Washer, No. 1/4 Internal Tooth - Phosphor Bronze Screw, No. 1/4-20 x 1 Soc-Hd Cap (SS) * * *	02-1437-00 03-1417-07 03-1544-03	1 4 4
18	Freezer Assembly (See Figure 8-6) attaching parts, Index 18 Washer, Special Screw, No. 5/16-18 x 1-1/4 Hex Cap * * *	No Number 03-1408-03 03-1420-03	1 4 4
19	Coupling * * *	15-0573-01	1
20	Pan, Drip * * *	A24156-002	1
21	Gasket * * *	13-0704-00	1
22	Drivemotor Assembly (See Figure 8-7) attaching parts, Index 22 Lockwasher, No. 5/16 Carbon Steel Zinc Plated Helical Spring Washer, Special Screw, No. 5/16-18 x 7/8 Hex Cap * * *	A24317-021 03-1410-04 03-1408-35 03-1420-01	1 3 3 3
23	Bushing Snap * * *	12-1213-10	1
24	Tube, Bin Drain * * *	No Number	1

Figure 8-2. Major Assemblies — Air-Cooled Models (Cont'd)

INDEX NO.	DESCRIPTION	PART NUMBER	REQ'D NUMBER
25	Tube, Tygon attaching parts, Index 24, 25, 26	13-0674-06	1
	Clamp, Hose * * *	02-1338-00	2
26	Drain Bin	A27018-001	1
27	O-Ring attaching parts, Index 26, 27, 28 to 32	13-0617-11	1
28	Top, Drain (screws into Index 26) * * *	02-1741-00	1
29	Grommet * * *	13-0557-01	1
30	Pad, Sealing * * *	13-0806-01	1
31	Retainer, Insulation attaching parts, Index 31	No Number	1
	Screw, No. 8 x 1/2 T/F Tap * * *	03-1404-09	3
32	Bin, Storage * * *	A27464-002	1
	NOTE: See Figure 8-3 for replacement parts within the Control Box Assembly.		



78 122 A

Figure 8-3. Major Assemblies - Water-Cooled

Figure 8-3. Major Assemblies — Water-Cooled Models

INDEX NO.	DESCRIPTION	PART NUMBER	REQ'D NUMBER
	Major Assemblies - Water-Cooled Model * * *	No Number	Ref.
1	Condenser - Water-Cooled attaching parts, Index 1 Lockwasher, No. 1/4 External Tooth - Carbon Steel Zinc Plated Screw, No. 1/4-20 x 1/2 T/C Hex Hd * * *	18-3305-02 03-1417-09 03-0571-00	1 2 2
2	Regulator Assembly, Water attaching parts, Index 2 Lockwasher, No. 1/4 External Tooth - Carbon Steel Zinc Plated Screw, No. 1/4-20 x 1/2 T/C Hex Hd	No Number 03-1417-09 03-0571-00	1 2 2
2a	Union, Half - No. 5/8-18 x 3/8 Flare	16-0677-01	1
2b	Nipple Assembly, Pipe (w/Bracket)	A15924-000	1
2c	Coupling - 3/8 NPT x 3/8 Flare Brass	16-0355-00	1
2d	Valve, Water Regulator * * *	11-0198-02	1
3	Brace, Drier	A09388-000	1
4	Drier attaching parts, Index 3 and 4 Screw, No. 10-16 x 3/4 S/T * * *	02-0544-01 03-1360-01	1 1
5	Tube (Reservoir Overflow to Drip Pan)	13-0079-03	1
6	Tube (Reservoir to Freezer Inlet) attaching parts, Index 5 and 6 Clamp (Index 5) Clamp (Index 6) * * *	13-0674-09 02-0535-00 02-0694-00	1 1 2
7	Reservoir Valve Assembly, Float (Not shown)	02-2217-01 02-2217-02	1 1

Figure 8-3. Major Assemblies — Water-Cooled Models (Cont'd)

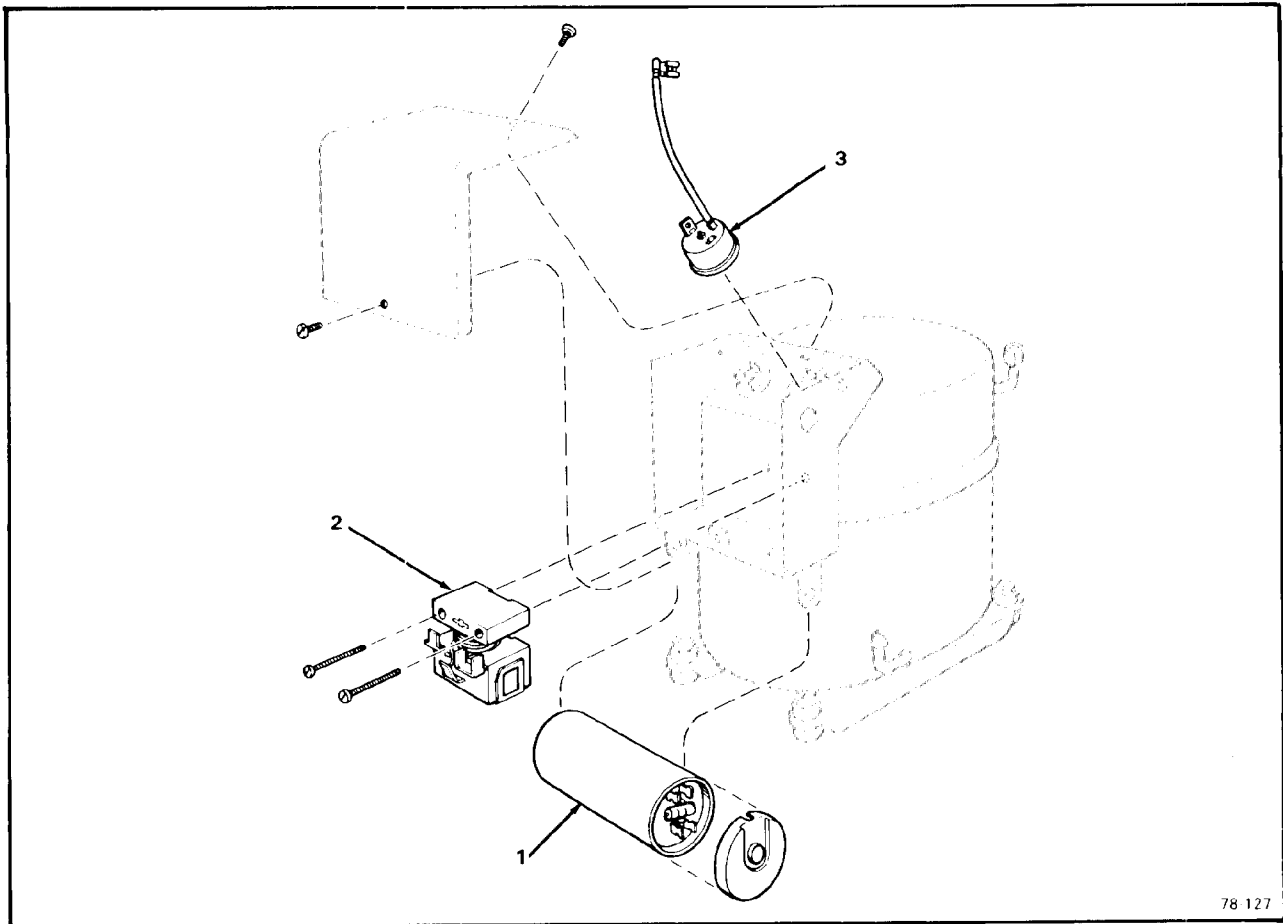
INDEX NO.	DESCRIPTION	PART NUMBER	REQ'D NUMBER
	attaching parts, Index 7		
	Wing Nut (p/o Reservoir)	No Number	1
	***		
8	Bracket, Mounting	A20959-000	1
	attaching parts, Index 8		
	Screw, No. 8-18 x 1/2 S/T Phil Pan Hd	03-1572-01	2
	***		
9	Compressor (See Figure 8-4)	18-3900-01	1
	attaching parts, Index 9		
	Grommet	18-2200-28	4
	Sleeve, Mounting	18-2200-27	4
	Lockwasher, No. 5/16 External Tooth - Carbon Steel Zinc Plated	03-1417-12	4
	Washer, Special	03-1408-24	4
	Screw, No. 5/16-18 x 1-3/4 Hex Cap	03-1405-40	4
	***		
10	Control, Pressure - H <sup>2</sup> O	11-0296-00	1
11	Bracket, Utility	A27993-001	1
	O-Ring	13-0617-26	1
	Bushing, Snap	12-1213-06	2
	attaching parts, Index 10 and 11		
	Nut, Pal	03-1394-00	1
	Screw, No. 10-16 x 3/4 S/T	03-1360-01	2
	***		
12	Covering, Tube	13-0279-00	1
13	Tube, Ice	A28042-001	1
	attaching parts, Index 12 and 13		
14	Clamp, Hose	02-0179-02	1
	***		
15	Cap, Freezer	13-0815-01	1
	***		

Figure 8-3. Major Assemblies — Water-Cooled Models (Cont'd)

INDEX NO.	DESCRIPTION	PART NUMBER	REQ'D NUMBER
16	Spout Assembly (See Figure 8-5) attaching parts, Index 16 and 17	No Number	1
17	Gasket, Spout	02-1437-00	1
	Washer, No. 1/4 Internal Tooth - Phosphor Bronze	03-1417-07	4
	Screw, No. 1/4-20 x 1 Soc-Hd Cap	03-1544-03	4
	* * *		
18	Freezer Assembly (See Figure 8-6) attaching parts, Index 18	No Number	1
	Washer, Special	03-1408-03	4
	Screw, No. 5/16-18 x 1-1/4 Hex Cap	03-1420-03	4
	* * *		
19	Coupling * * *	15-0573-01	1
20	Pan, Drip * * *	A24156-002	1
21	Gasket * * *	13-0704-00	1
22	Drivemotor Assembly (See Figure 8-7) attaching parts, Index 22	A24317-021	1
	Lockwasher, No. 5/16 Carbon Steel Zinc Plated Helical Spring	03-1410-04	3
	Washer, Special	03-1408-35	3
	Screw, No. 5/16-18 x 7/8 Hex Cap	03-1420-01	3
	* * *		
23	Bushing, Snap * * *	12-1213-08	1
24	Tube, Bin Drain * * *	No Number	1

Figure 8-3. Major Assemblies — Water-Cooled Models (Cont'd)

INDEX NO.	DESCRIPTION	PART NUMBER	REQ'D NUMBER
25	Tube, Tygon attaching parts, Index 24, 25, 26 Clamp Hose * * *	13-0674-06 02-1338-00	1 2
26	Drain, Bin	A27018-001	1
27	O-Ring attaching parts, Index 26, 27, 28 to 32	13-0617-11	1
28	Top, Drain (Screws into Index 26) * * *	02-1741-00	1
29	Grommet * * *	13-0557-01	1
30	Pad, Sealing * * *	13-0806-01	1
31	Retainer, Insulation attaching parts, Index 31 Screw, No. 8 x 1/2 T/F Tap * * *	No Number 03-1404-09	1 3
32	Bin Storage * * *	A27464-002	1
	NOTE: See Figure 8-8 for replacement parts within the Control Box Assembly.		



78 127

Figure 8-4. Compressor Assembly

Figure 8-4. Compressor Assembly

INDEX NO.	DESCRIPTION	PART NUMBER	REQ'D NUMBER
	Compressor Assembly (See Figure/Index 8-2/9 and 8-3/9 for next higher Assembly) * * *	18-3900-01	Ref.
1	Capacitor - w/cap * * *	18-1901-33	1
2	Relay * * *	18-2200-26	1
3	Overload * * *	18-2200-25	1



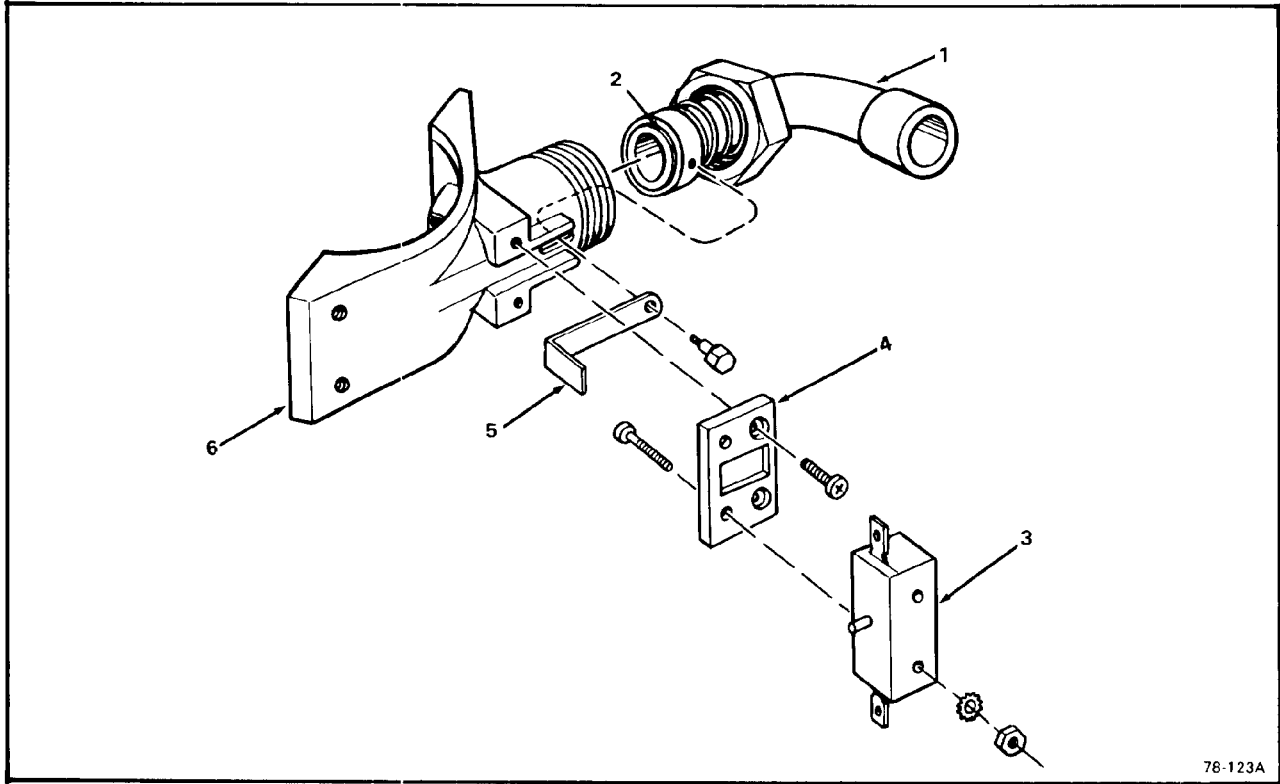


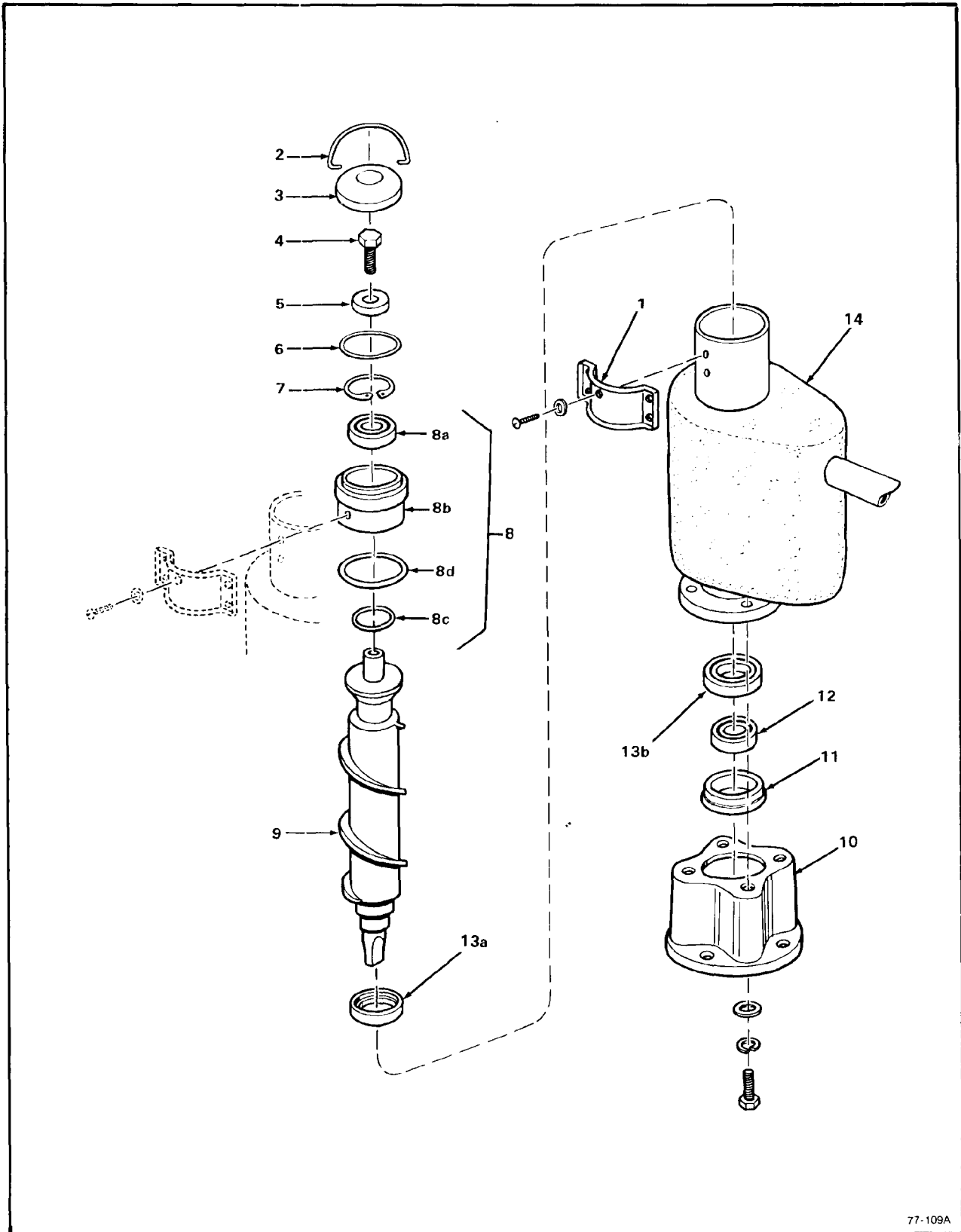
Figure 8-5. Spout Assembly.

Figure 8-5. Spout Assembly.

INDEX NO.	DESCRIPTION	PART NUMBER	REQ'D NUMBER
	Spout Assembly (See Figure/Index 8-2/16 and 8-3/16 for next higher Assembly) * * *	No Number	Ref.
1	Tube, Ice Discharge * * *	A26542-001	1
2	O-Ring * * *	13-0617-41	1
3	Switch attaching parts, Index 3 to 4	12-1664-00	1
	Screw, No. 6-32 x 1 Flat Hd. Mach - Phil Recess	03-1418-38	2

Figure 8-5. Spout Assembly (Cont'd.)

INDEX NO.	DESCRIPTION	PART NUMBER	REQ'D NUMBER
4	Lockwasher No. 6 External Tooth - Phosphor Bronze	03-1417-01	2
	Nut, No. 6-32 Hex Mach Screw	03-1406-01	2
	***		
	Barrier, Thermal attaching parts, Index 4 to 6	02-2377-01	1
5	Screw, No. 6-32 x 3/8 Flat Hd Mach - Phil Recess	03-1418-01	2
	***		
	Actuator, Switch attaching parts, Index 5 to 6	A27511-001	1
6	Screw, Shoulder	A25305-001	1
	***		
	Spout ***	A26441-001	1



77-109A

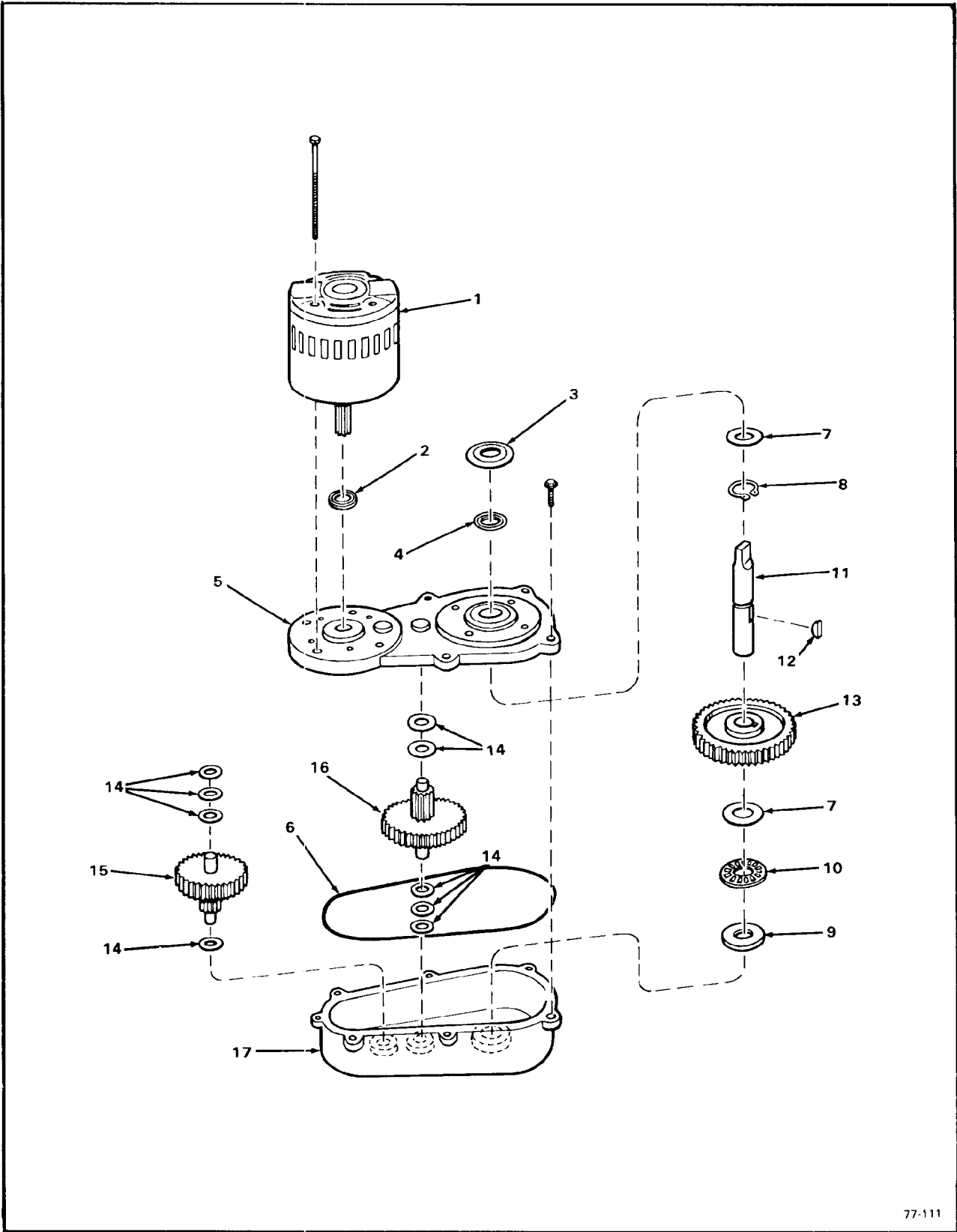
Figure 8-6. Freezer Assembly - AF-730.

Figure 8-6. Freezer Assembly.

INDEX NO.	DESCRIPTION	PART NUMBER	REQ'D NUMBER
	Freezer Assembly (See Figure/Index 8-2/18 and 8-3/18 for next higher Assembly) * * *	No Number	Ref.
1	Plate, Spout attaching parts, Index 1 Washer, Non-Metallic .250 I.D. Screw, No. 1/4-20 x 3/8 Phil Recessed Hd Sealing * * *	A18430-002 03-1409-20 03-1506-03	1 1 1
2	Hook * * *	A08582-000	1
3	Cap * * *	A08581-000	1
4	Screw, No. 1/2-20 x 1 Hex Cap * * *	03-1405-36	1
5	Washer, Brass 17/32 I.D. x 1-5/8 O.D. x 5/16 * * *	A06273-000	1
6	O-Ring (fits into outside groove, Index 8) * * *	13-0617-20	1
7	Ring, Internal Retaining * * *	02-1558-04	1
8	Retainer, Top Bearing — w/Bearing	A26708-001	1
8a	Bearing (Top)	02-0646-00	1
8b	Retainer (Order P/N A26708-001)	No Number	Ref.
8c	O-Ring - (Internal)	13-0617-15	1
8d	O-Ring - (External) * * *	13-0617-40	1
9	Auger * * *	02-2047-01	1

Figure 8-6. Freezer Assembly (Cont'd.)

INDEX NO.	DESCRIPTION	PART NUMBER	REQ'D NUMBER
10	Adaptor	02-1629-00	1
	attaching parts, Index 10, 11, 12, 13 to 14		
	Washer, Special	03-1408-03	4
	Lockwasher, No. 5/16 Helical Spring	03-1410-04	4
	Screw, No. 5/16-18 x 1-1/4 Hex Cap	03-1405-41	4
	* * *		
	Gasket (not shown)	13-0704-00	Ref.
	* * *		
11	Retainer, Bearing	A10591-000	1
	* * *		
12	Bearing (Lower)	02-0619-00	1
	* * *		
13	Seal, Water	A22569-000	1
13a	Seal, Upper (Fits on Index 9)	No Number	Ref.
13b	Seal, Lower (Fits on top of Index 12)	No Number	Ref.
	* * *		
14	Freezer - (Repair Assembly)	A26600-020	1
	* * *		



77-111

Figure 8-7. Drivemotor Assembly

Figure 8-7. Drivemotor Assembly.

INDEX NO.	DESCRIPTION	PART NUMBER	REQ'D NUMBER
	Drivemotor Assembly - AF-730 (1/4 H.P.) (12.2 R.P.M.) (See Figure/Index 8-2/22 and 8-3/22 for next higher Assembly) * * *	A24317-021	Ref
1	Motor, Drive 115/60/1 (1/4 H.P. Split Phase) attaching part, Index 1 to 5 Screw, Motor (p/o Index 1) * * *	A26455-001 No Number	1 4
2.	Seal, Oil * * *	02-1606-00	1
3	Shed, Water * * *	13-0709-02	1
4	Seal, Oil * * *	02-1607-00	1
5	Cover Assembly, Gear Case attaching parts, Index 5 to 17 Screw, No 5/16 x 1 Flange * * *	A22200-000 03-1252-01	1 6
6	O-Ring * * *	A26103-001	1
7	Race, Thrust * * *	02-1681-00	2
8	Ring, Retaining * * *	03-1363-00	1
9	Race, Thrust * * *	02-1679-00	1
10	Bearing * * *	02-1680-00	1
11	Shaft, Output	02-1652-00	1

Figure 8-7. Drivemotor Assembly AF-730 (cont'd).

INDEX NO.	DESCRIPTION	PART NUMBER	REQ'D NUMBER
	attaching part, Index 11 to 13 * * *		
12	Key (No. 91 Woodruff, Nickel Steel) * * *	03-1364-00	1
13	Gear, Output * * *	02-1653-00	1
14	Washer, Special (.515 I.D. x 875 O.D. x .028 Steel) * * *	03-1408-24	9
15	Second Pinion Assembly, First Gear and * * *	02-2072-00	1
16	Third Pinion Assembly, Second Gear and * * *	02-2071-00	1
17	Case Assembly, Gear * * *	A22199-000	1



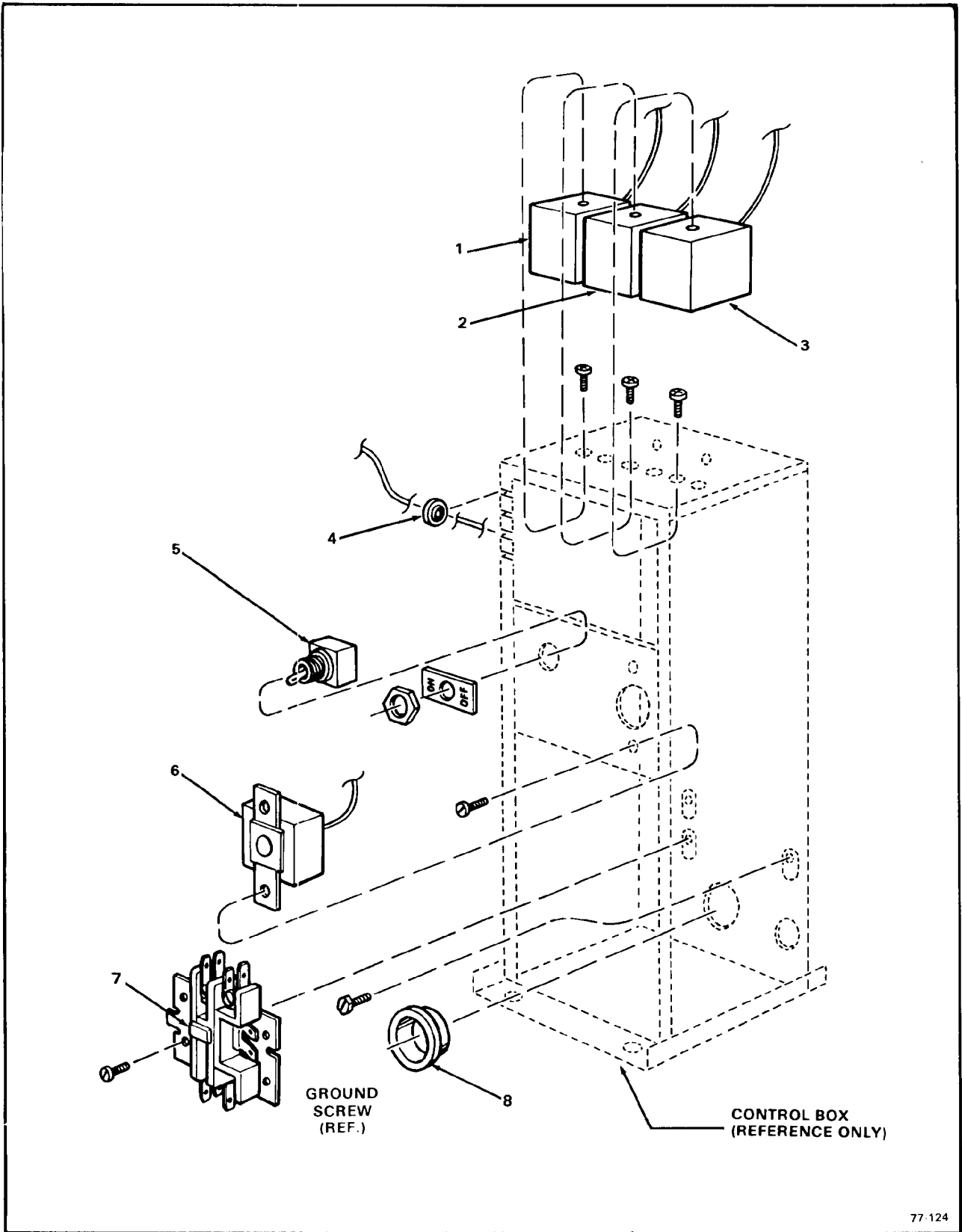


Figure 8-8. Control Box Assembly.

Figure 8-8. Control Box Assembly - AF-730.

INDEX NO.	DESCRIPTION	PART NUMBER	REQ'D NUMBER
	Control Box Assembly - AF-730 (See Figure 8-2/8-3 for next higher Assembly) * * *	No Number	Ref.
1	Control, Low-Pressure attaching parts, Index 1 Screw, No. 6-32 x 1/4 Pan Hd * * *	11-0358-01 03-1403-02	1 2
2	Control, Hi-Pressure (Water-Cooled Model) attaching parts, Index 2 Screw, No. 6-32 x 1/4 Pan Hd * * *	11-0388-02 03-1403-02	1 2
3	Control, Auger Delay attaching parts, Index 3 Screw, No. 6-32 x 1/4 Pan Hd * * *	11-0402-01 03-1403-02	1 2
4	Grommet * * *	13-0557-00	4
5	Switch, Toggle * * *	12-0426-01	1
6	Thermostat, Bin attaching parts, Index 6 Screw, No. 8-32 x 3/8 Phil Recess Pan Hd * * *	11-0354-00 03-1403-17	1 2
7	Contactactor attaching parts, Index 7 Screw, No. 8-32 x 3/4 Phil Recess Pan Hd * * *	12-2037-01 03-1403-21	1 2
8	Bushing, Snap * * *	12-1213-12	1

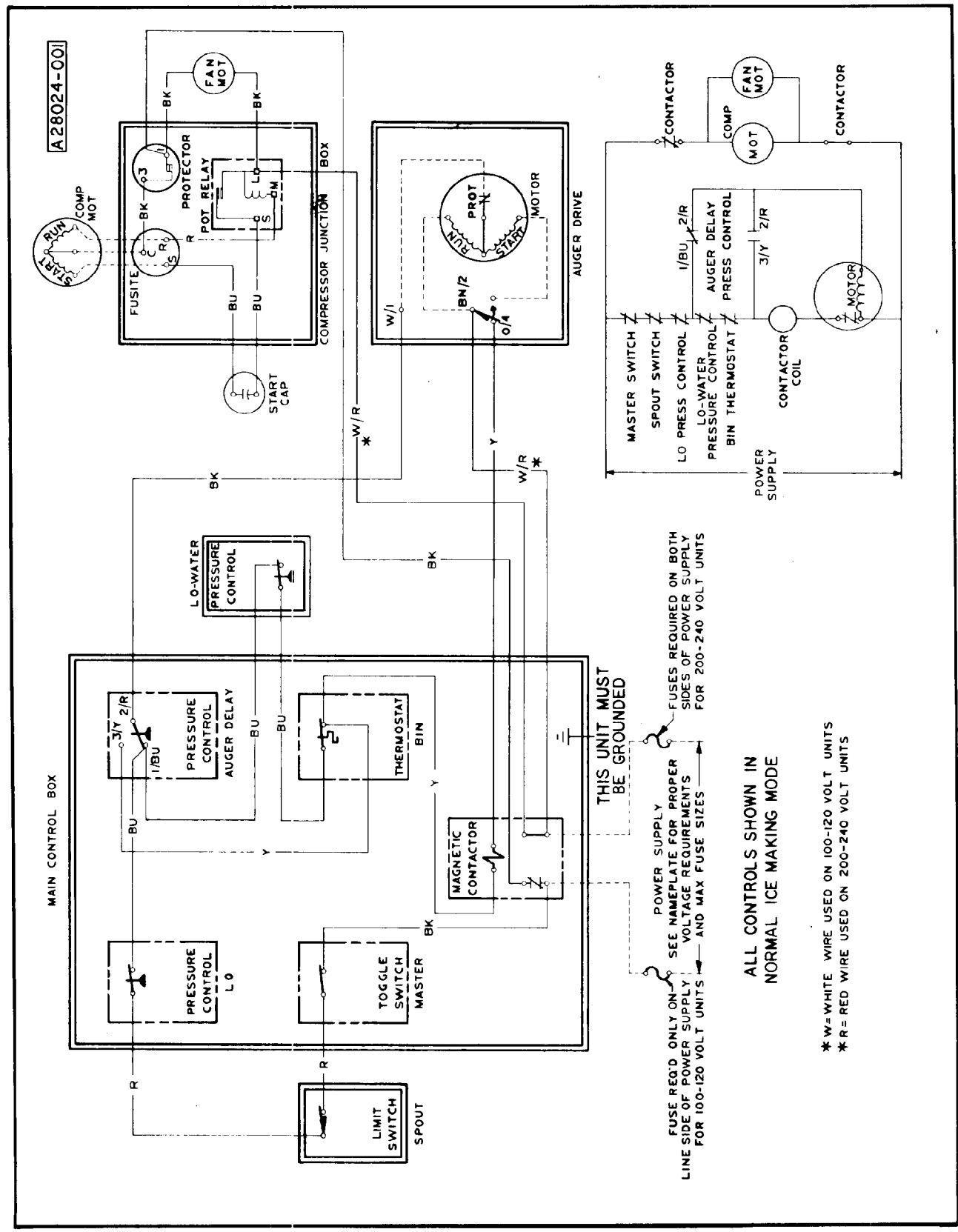


Figure 7-1. Wiring Diagram AF-730 - Air-Cooled.

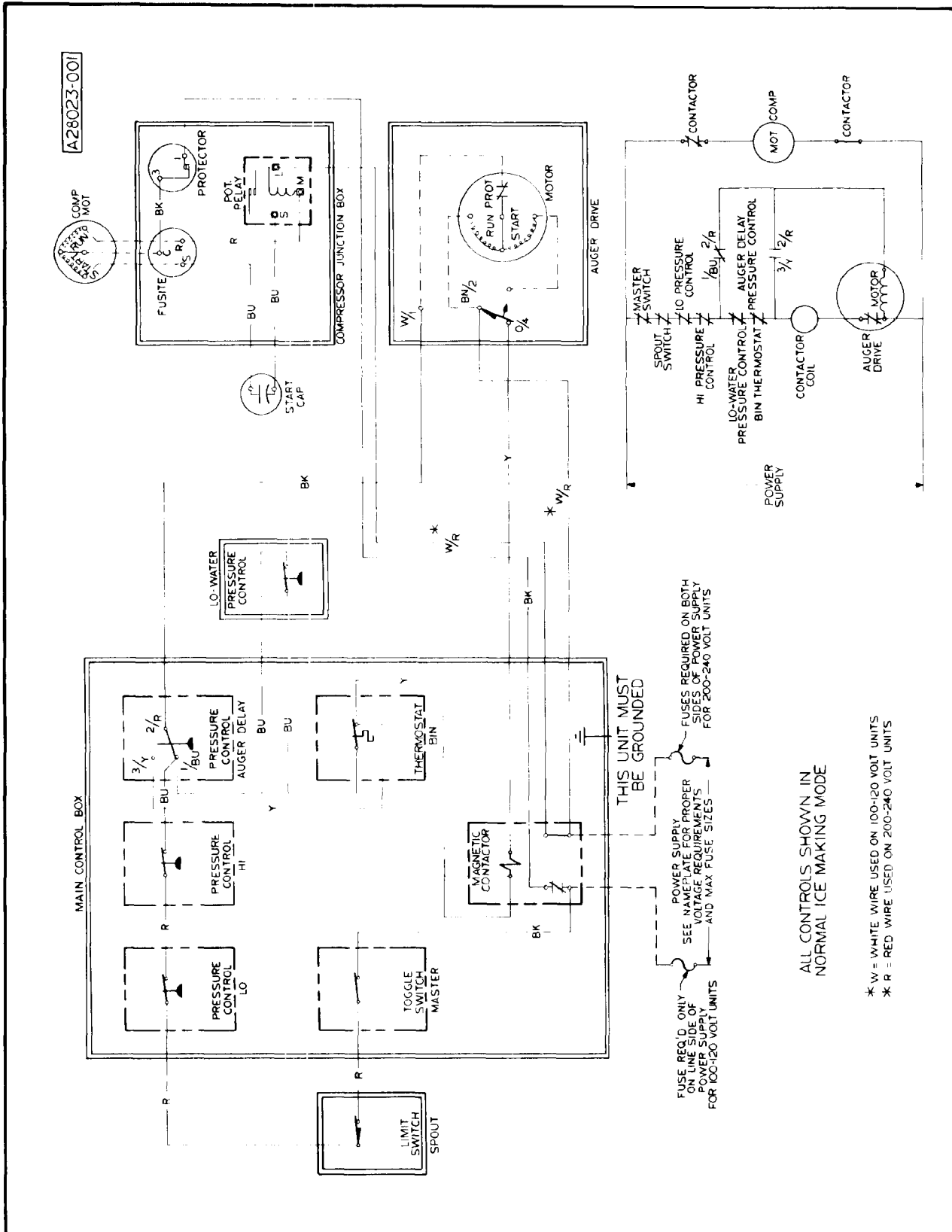


Figure 7-2. Wiring Diagram AF-730 - Water-Cooled.