

# **AC30 Parts List**

## **Table of Contents**

**Cabinet**

**Air Cooled Refrigeration**

**Water Cooled Refrigeration**

**Water System**

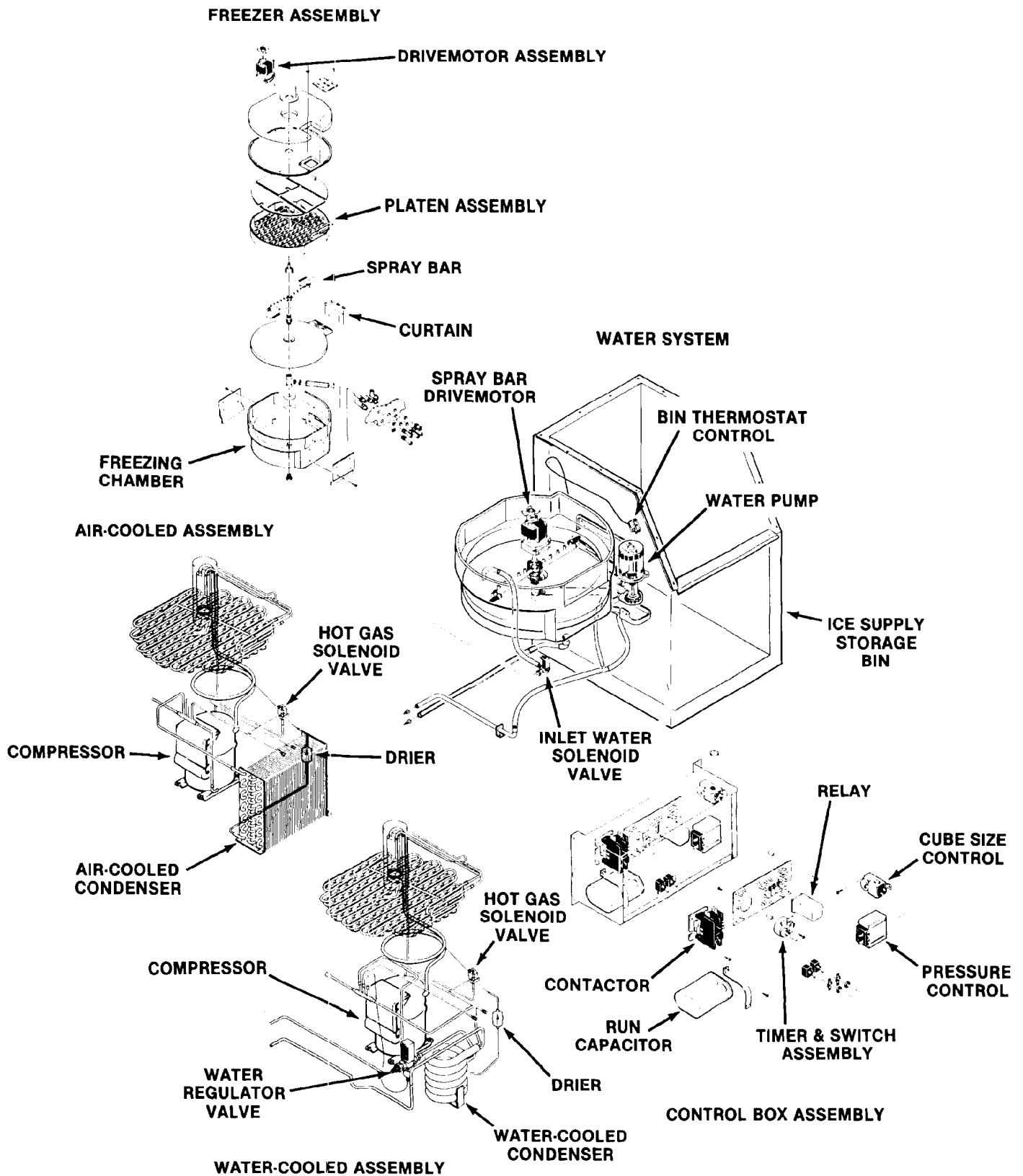
**Evaporator**

**Compressor**

**Control Box**

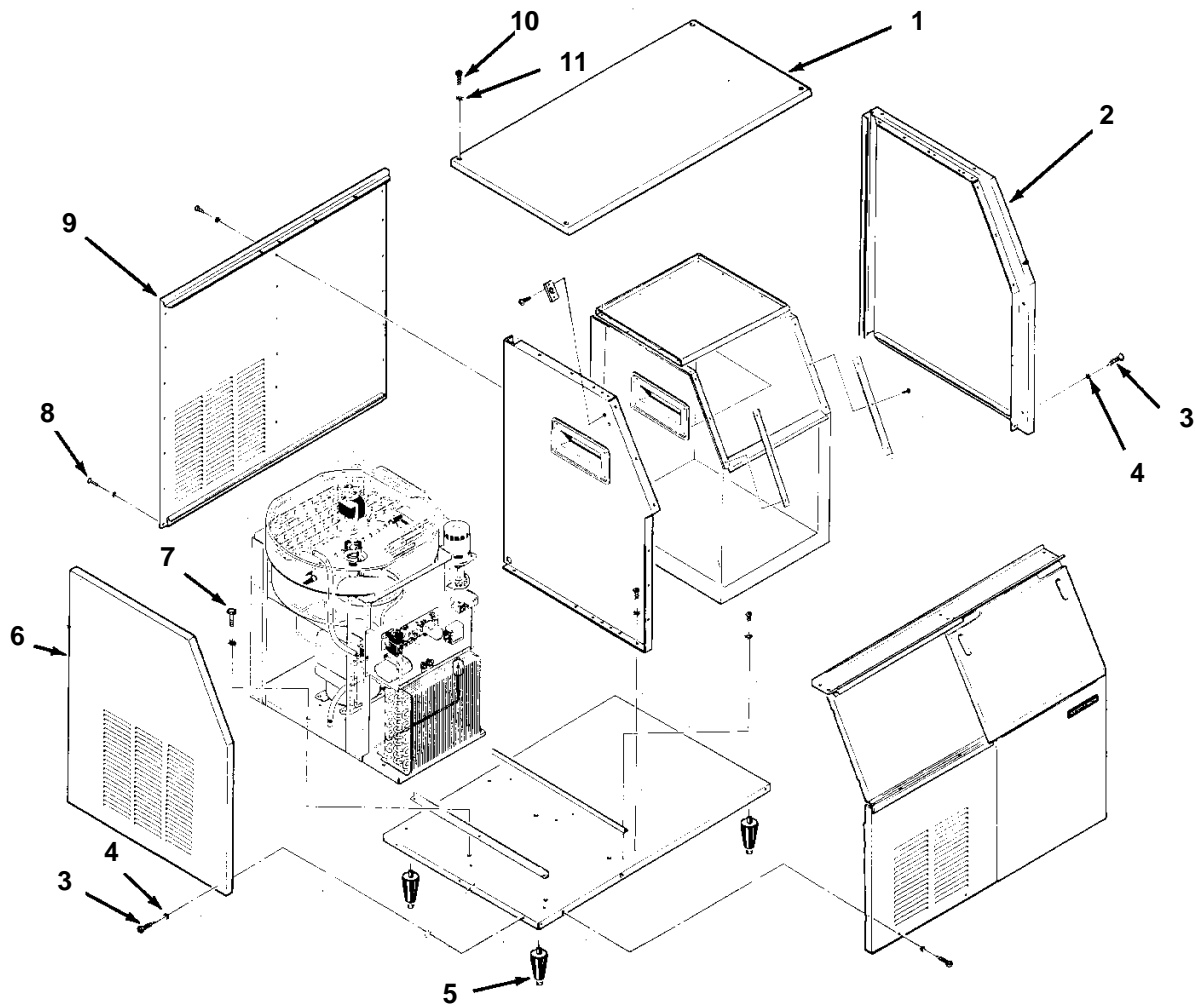
**Wiring Diagrams**

# AC30 THE PARTS ILLUSTRATIONS AND PARTS LIST



# AC30 SERVICE PARTS

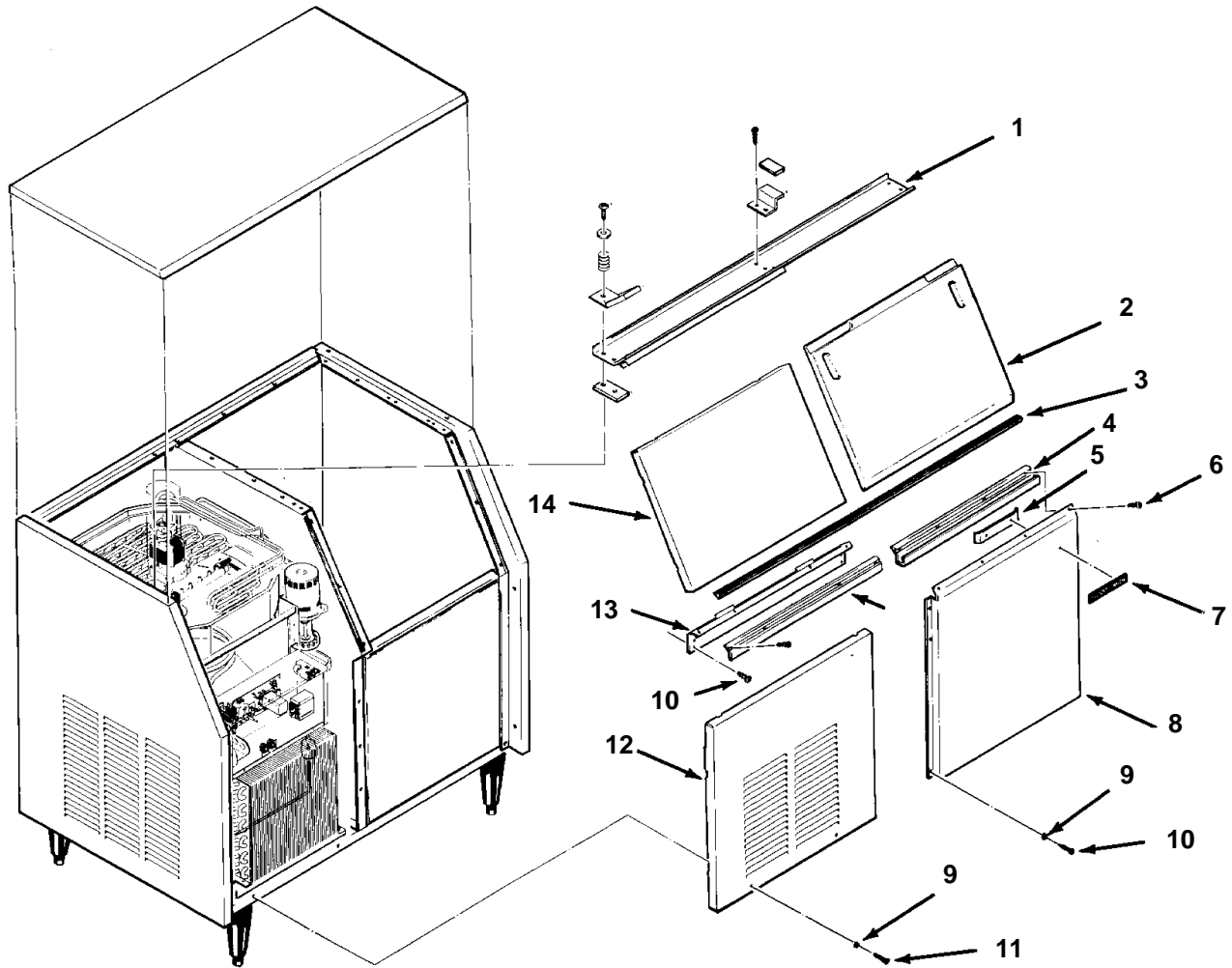
## Cabinet - Part 1



ITEM NUMBER	PART NUMBER	DESCRIPTION
1	A24799-004	Top panel, sandalwood
	A24799-015	Top panel, gray
	A24799-005	Top panel, ss
2	A24800-004	Top panel, sandalwood
	A24800-015	Top panel, gray
	A24800-002	Top panel, ss
3	03-1404-10	Screw
4	03-1417-03	Washer
5	KLP2E	Legs
6	A27034-004	Left side panel, sandalwood
	A27034-015	Left side panel, gray
	A27034-002	Left side panel, SS
7	03-1405-19	Chassis holddown bolt
8	03-1404-09	Screw
9	A27033-004	Back panel, not painted
10	03-1419-19	Screw
11	03-1417-15	Washer

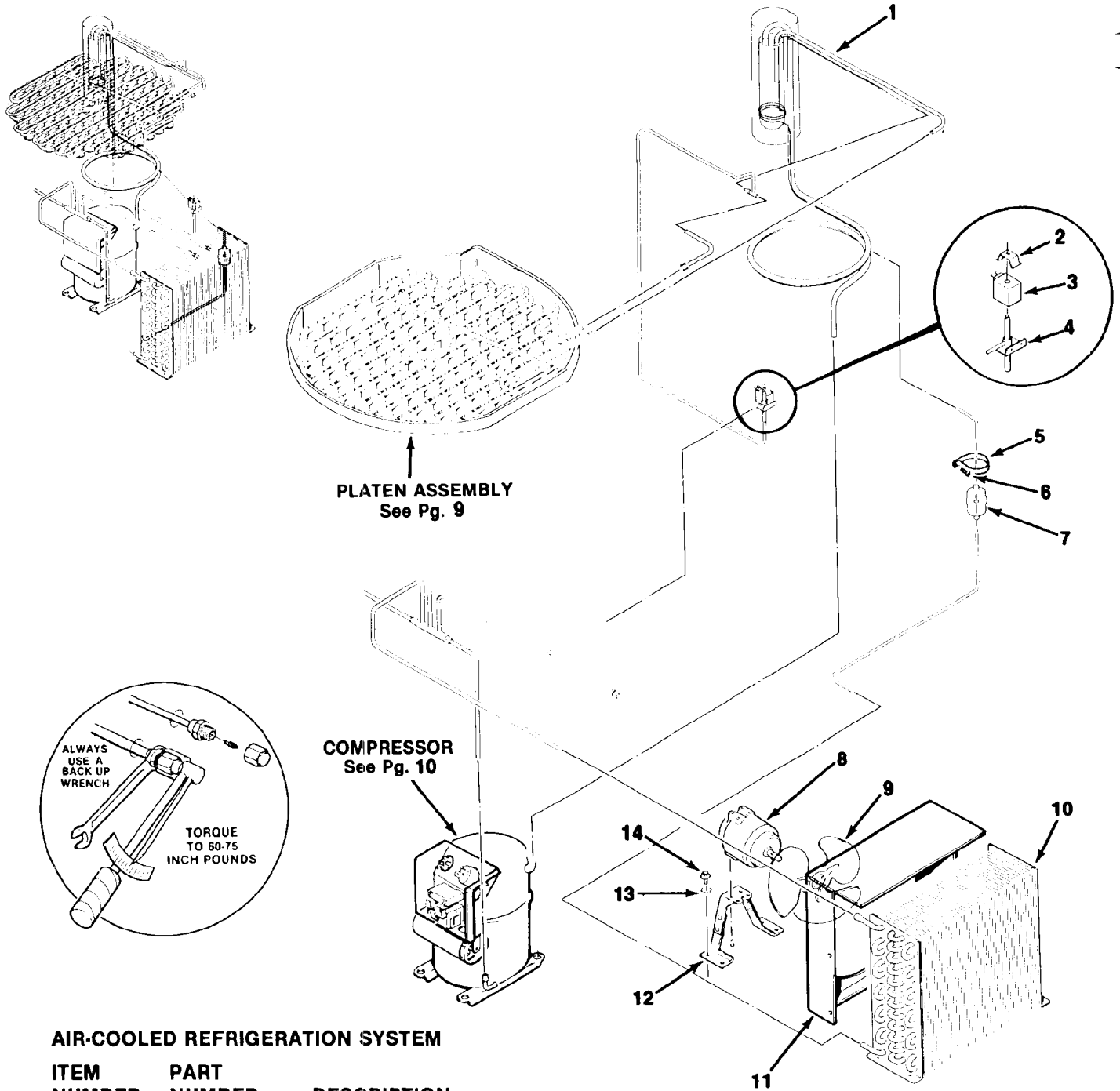
# AC30 SERVICE PARTS

## Cabinet - Part 2



ITEM NUMBER	PART NUMBER	DESCRIPTION	ITEM NUMBER	PART NUMBER	DESCRIPTION
1	A28823-002	Door track assembly	12	A24796-006	Lower lft frnt pnl, s-wood
2	02-2130-03	Door, brown		A24796-015	Lower left front panel, gray
	02-2130-02	Door, gray for SS		A24796-007	Lower left panel, ss
	02-2130-04	Door, gray	13	A24787-002	Left front bracket
3	15-0324-00	Plastic insert	14	A24795-004	Upper front panel, s-wood
4	15-0620-01	Moulding strip right		A24795-015	Upper front panel, gray
5	03-0271-00	Speed clip		A24795-007	Upper front panel, SS
6	03-1419-16	Screw			
7	15-0711-01	Emblem for sandalwood			
	15-0711-02	Emblem for SS or gray			
8	A24794-004	Right front panel, sandalwood			
	A24794-015	Right front panel, gray			
	A24794-002	Right front panel, SS			
9	03-1417-03	Washer			
10	03-1417-09	Screw			
11	03-1417-16	Screw			

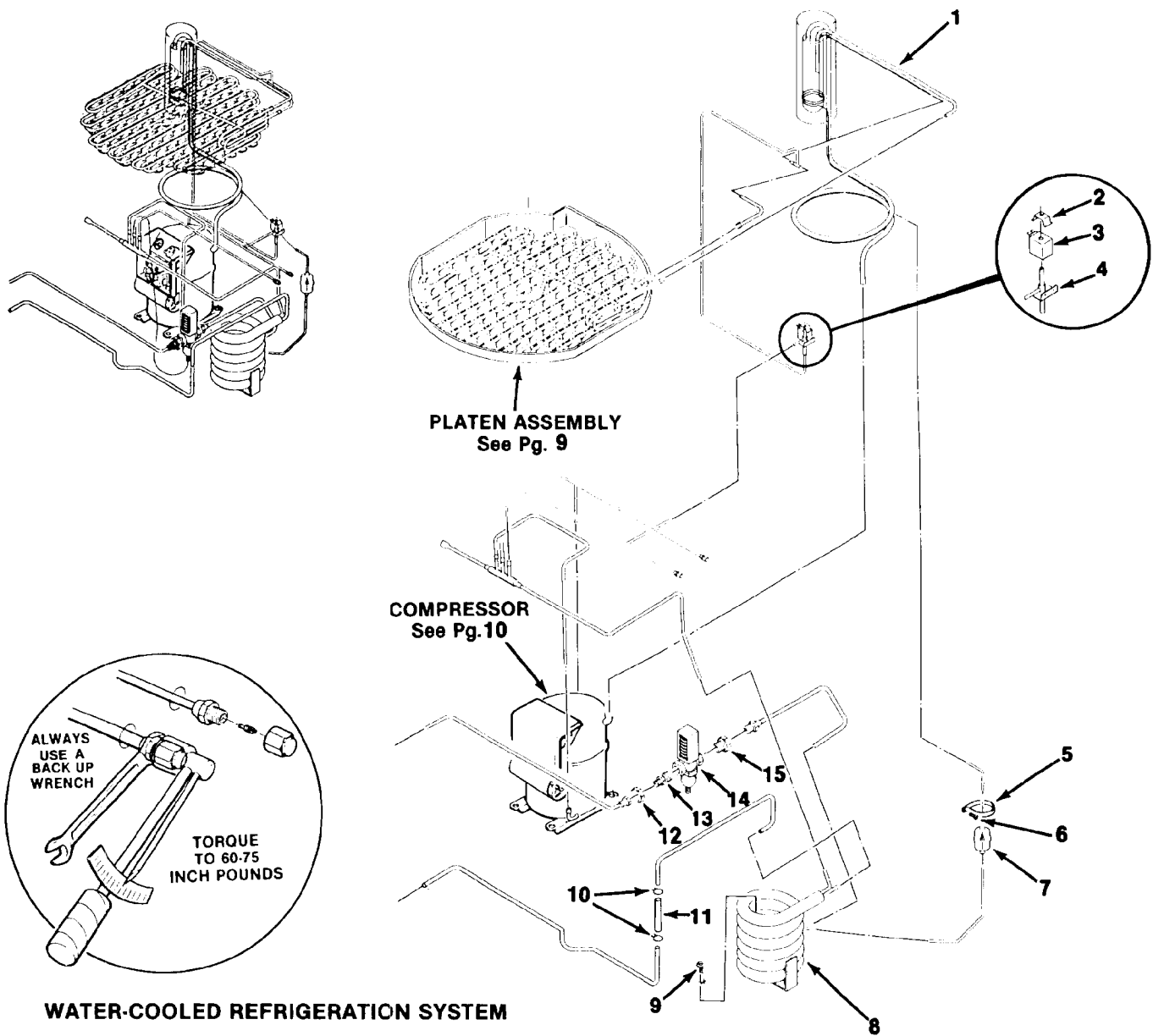
# AC30 THE PARTS ILLUSTRATIONS AND PARTS LIST



## AIR-COOLED REFRIGERATION SYSTEM

ITEM NUMBER	PART NUMBER	DESCRIPTION
1	A28799-020	Heat Exchanger Assembly
2	12-2009-01	Coil Clamp
3	12-2008-01	Coil
4	12-2007-01	Valve Body and Plunger Assembly
5	A09386-000	Drier Brace
6	03-1404-09	Screw, #6 x 1/4
7	02-2426-01	Drier
8	12-1681-01	Fan Motor
9	18-0625-00	Fan Blade
10	18-0396-01	Air-Cooled Condenser
11	02-2352-01	Shroud
12	A25548-001	Fan Motor Bracket
13	03-1417-08	Lockwasher
14	03-0571-00	Screw, 1/4-20

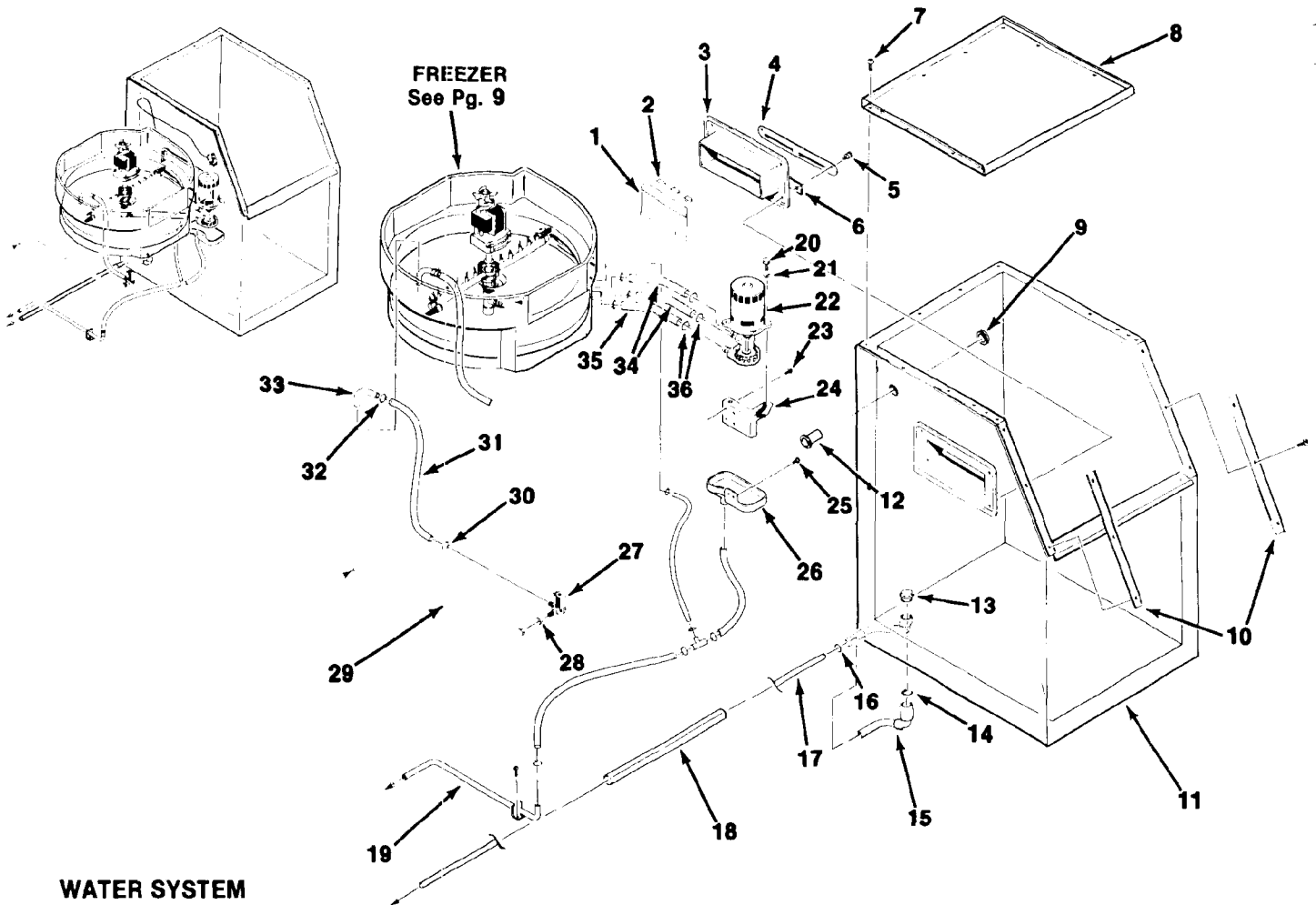
# AC30 THE PARTS ILLUSTRATIONS AND PARTS LIST



## WATER-COOLED REFRIGERATION SYSTEM

ITEM NUMBER	PART NUMBER	DESCRIPTION
1	A28799-020	Heat Exchange Assembly
2	12-2009-01	Coil Clamp
3	12-2008-01	Coil
4	12-2007-01	Valve Body and Plunger Assembly
5	A09386-000	Drier Brace
6	03-1404-09	Screw, #6 x 1/4
7	02-2426-01	Drier
8	18-3305-02	Water-Cooled Condenser
9	03-0571-00	Screw, #1/4-20 x 1/2
10	02-0538-00	Hose Clamp
11	No Number	Tygon Tube
12	03-1394-01	Pal Nut
13	No Number	Water Inlet Fitting
14	11-0198-02	Water Regulator Assembly
15	No Number	Coupling

# AC30 THE PARTS ILLUSTRATIONS AND PARTS LIST



## WATER SYSTEM

ITEM NUMBER	PART NUMBER	DESCRIPTION
1	02-2038-01	Curtain Assembly
2	03-1526-01	U-Type Clip
3	02-2131-01	Cube Spout
4	A24828-001	Bulb Cover
5	03-0727-04	Thumbscrew
6	No Number	Insulating Tape
7	03-1404-09	Screw, #8 x 1/2
8	A24822-001	Storage Bin Cover
9	13-0557-01	Grommet
10	A29977-001	Support Strip Kit (Left & Right Sides)
11	A30835-002	Storage Bin
12	No Number	Snap Bushing
13	02-2809-01	Drain Top
14	13-0617-11	O-Ring
15	A27018-001	Bin Drain Assembly
16	02-1338-00	Hose Clamp
17	No Number	Bin Drain Tube
18	No Number	Tube Covering
19	No Number	Drain Tube Assembly
20	03-0571-01	Screw, #1/4-20 x 1/2
21	03-1407-05	Washer
22	12-2263-21	Water Pump Assembly
23	03-1404-09	Screw, #8 x 1/2
24	A24769-001	Pump Bracket
25	03-1404-09	Screw, #8 x 1/2
26	02-2338-01	Drip Pan
27	12-1900-01	Water Solenoid Valve
28	03-1394-01	Pal Nut
29	No Number	Water Inlet Tube
30	02-0694-00	Hose Clamp
31	13-0674-09	Tygon Tube 24"
32	No Number	Clamp
33	No Number	Inlet Water Tube
34	05-0511-01	Tubing (Pre-formed)
35	05-0511-02	Tubing
36	02-1530-00	Hose Clamps
37	05-0501-01	Sump Drain Tube (Not Shown)

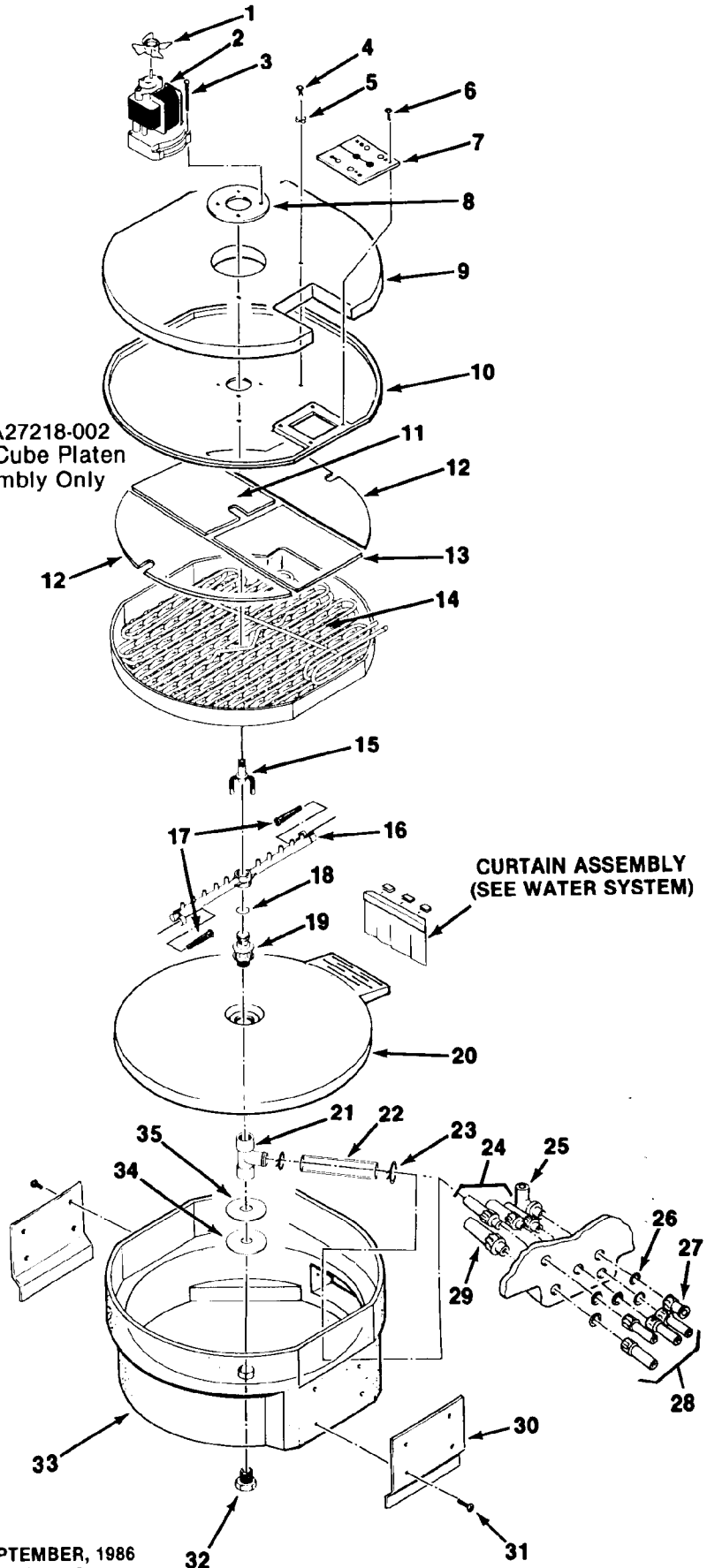
# AC30 THE PARTS ILLUSTRATIONS AND PARTS LIST

## FREEZER ASSEMBLY

ITEM NUMBER	PART NUMBER	DESCRIPTION
1	12-0675-25	Fan Blade
2	A24656-001	Drivemotor Assembly
3	03-1404-28	Screw, #6 x 1
4	03-1404-10	Screw, #8 x 1/2
5	A24830-001	Washer
6	02-2065-02	Hole Plug, Plastic
7	02-2129-01	Tube Spacer
8	13-0176-00	Gasket
9	02-2124-01	Insulation Cover
10	A24803-001	Freezing Chamber Cover
11	A24198-004	Spray Deflector
12	A24198-001	Spray Deflector
13	A24198-003	Spray Deflector
14	A27218-002	Platen Assembly (Small Cubes)
	A27217-002	Platen Assembly (Medium Cubes)
	A24129-002	Platen Assembly (Large Cubes)
15	02-2369-02	Drive Fork
16	A25480-001	Spray Bar
17	No Number	Rubber Spray Bar Ends (With Spray Bar Assembly)
18	13-0617-25	O-Ring
19	02-2120-01	Spray Bar Bearing
20	02-2028-01	Inner Bottom
21	02-2121-01	Inlet Housing
22	13-0674-07	Tygon Tube 8"
23	02-1358-01	Hose Clamp
24	02-2080-01	Tube, Male
25	02-2125-01	Stand Pipe
26	13-0617-02	O-Ring (Cut-off)
27	02-2606-01	Tube, Female
28	02-2081-01	Tube, Female
29	02-2082-01	Tube
30	A24498-001	Front Mount
31	03-1404-18	Screw, #10 x 5/8
32	02-2122-01	Bottom Plug
33	A24819-001	Freezing Chamber
34	A23827-001	Rubber Washer
35	A23827-001	Support Plate, Spray Bar

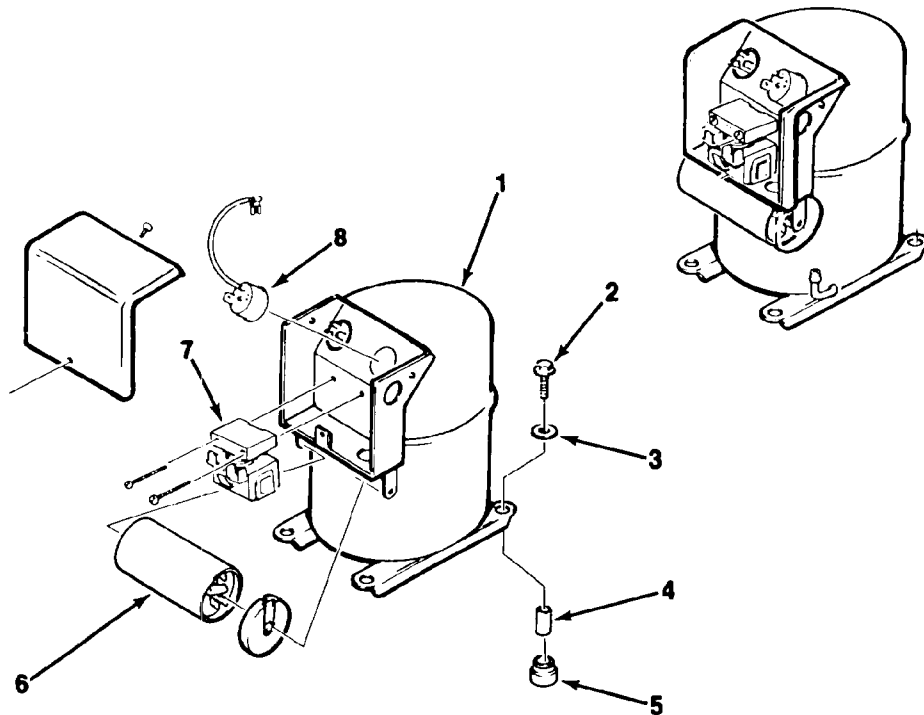
For A27218-002  
Small Cube Platen  
Assembly Only

CURTAIN ASSEMBLY  
(SEE WATER SYSTEM)





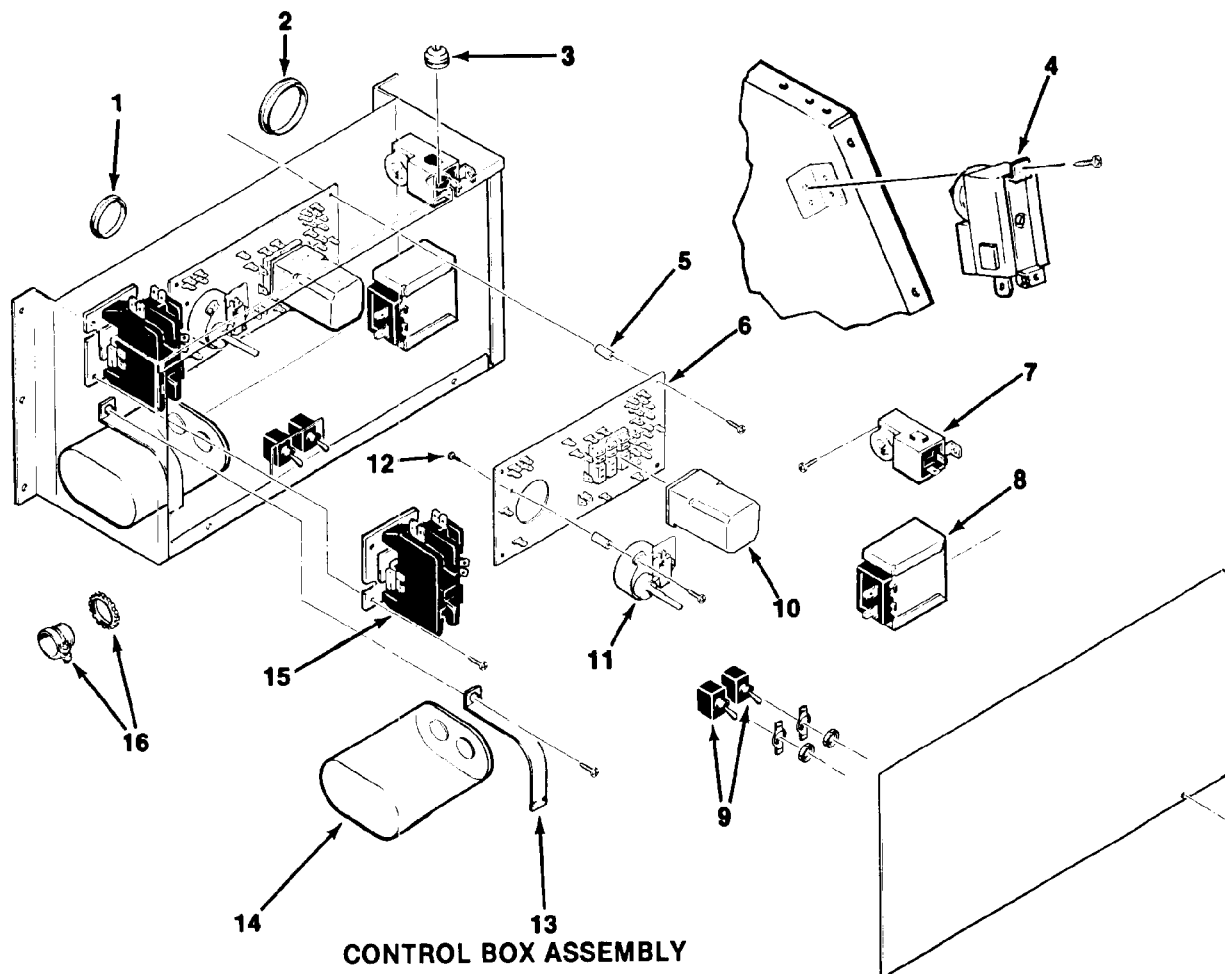
# AC30 THE PARTS ILLUSTRATIONS AND PARTS LIST



## COMPRESSOR ASSEMBLY

ITEM NUMBER	PART NUMBER	DESCRIPTION
1	18-3900-01	Compressor
2	03-1405-20	Screw
3	03-1407-07	Washer
4	18-2200-27	Sleeve
5	18-2200-28	Grommet
6	18-2420-00	Capacitor
7	18-2410-00	Relay
8	18-2400-25	Overload

# AC30 THE PARTS ILLUSTRATIONS AND PARTS LIST

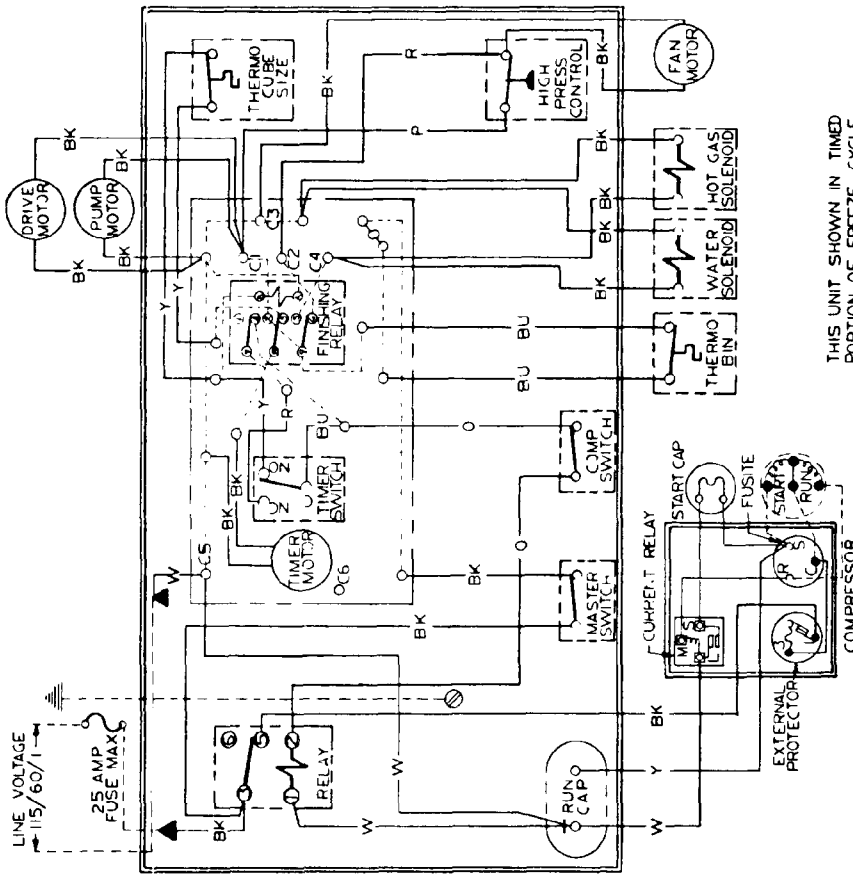


## CONTROL BOX ASSEMBLY

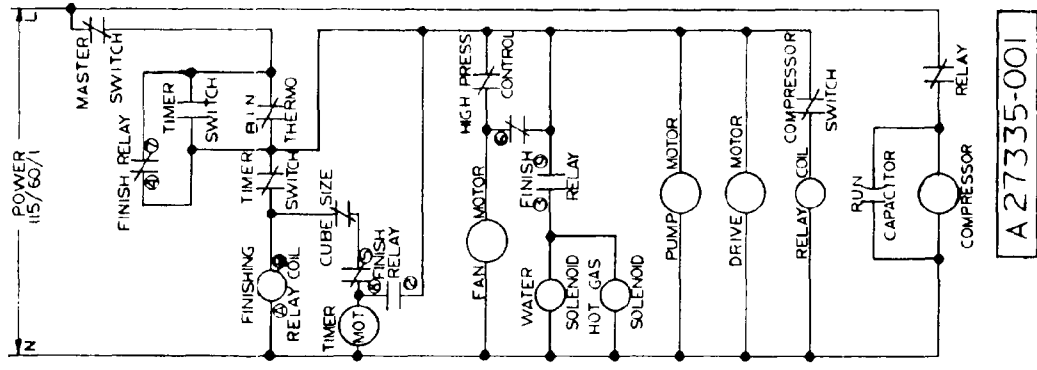
ITEM NUMBER	PART NUMBER	DESCRIPTION
1	12-1213-10	Bushing
2	12-1213-13	Bushing
3	13-0124-00	Grommet
4	11-0353-23	Bin Temperature Control
5	02-2242-02	Stand Off
6	12-1912-01	Circuit Board Assembly
7	11-0345-02	Cube Size Control
8	11-0388-02	Pressure Control (Water-Cooled)
	11-0389-02	Pressure Control (Air-Cooled)
9	12-0426-01	Switch
10	12-1879-02	Relay
11	12-1979-01	Timer & Switch Assembly
12	03-1403-04	Screw
13	<i>No Number</i>	Capacitor Bracket
14	18-1902-17	Run Capacitor
15	12-2041-01	Contactors
16	12-0350-00	Connectors

# AC30 WIRING DIAGRAM

**CAUTION:** MORE THAN ONE DISCONNECT MAY BE REQUIRED TO DISCONNECT ALL POWER TO THIS UNIT.  
THIS UNIT MUST BE GROUNDED.



THIS UNIT SHOWN IN TIMED PORTION OF FREEZE CYCLE

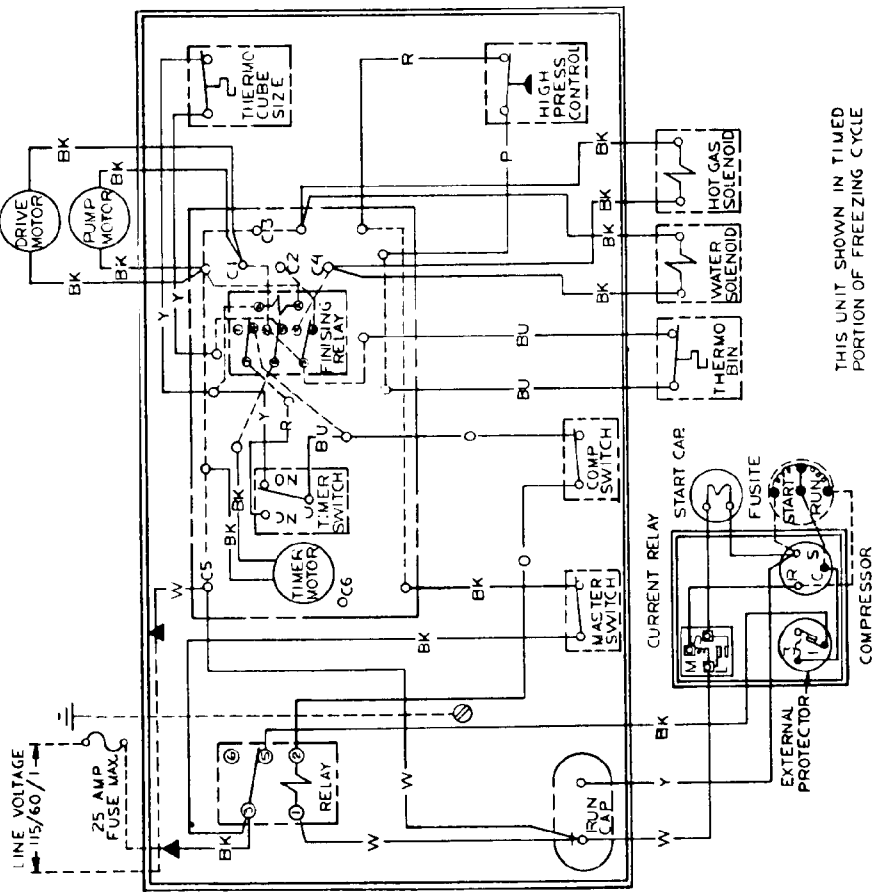


A 27335-001

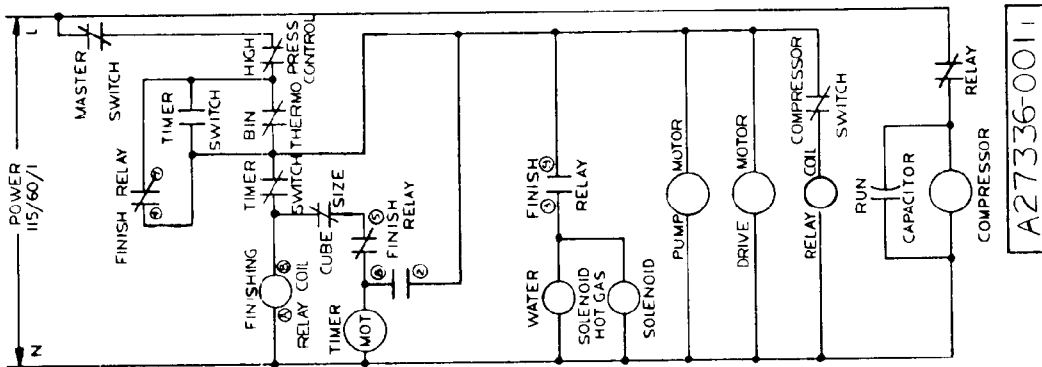
Wiring Diagram - Air-Cooled AC30-1A (115/60/1)

# AC30 WIRING DIAGRAM

**CAUTION:** MORE THAN ONE DISCONNECT MAY BE REQUIRED TO DISCONNECT ALL POWER TO THIS UNIT. THIS UNIT MUST BE GROUNDED.



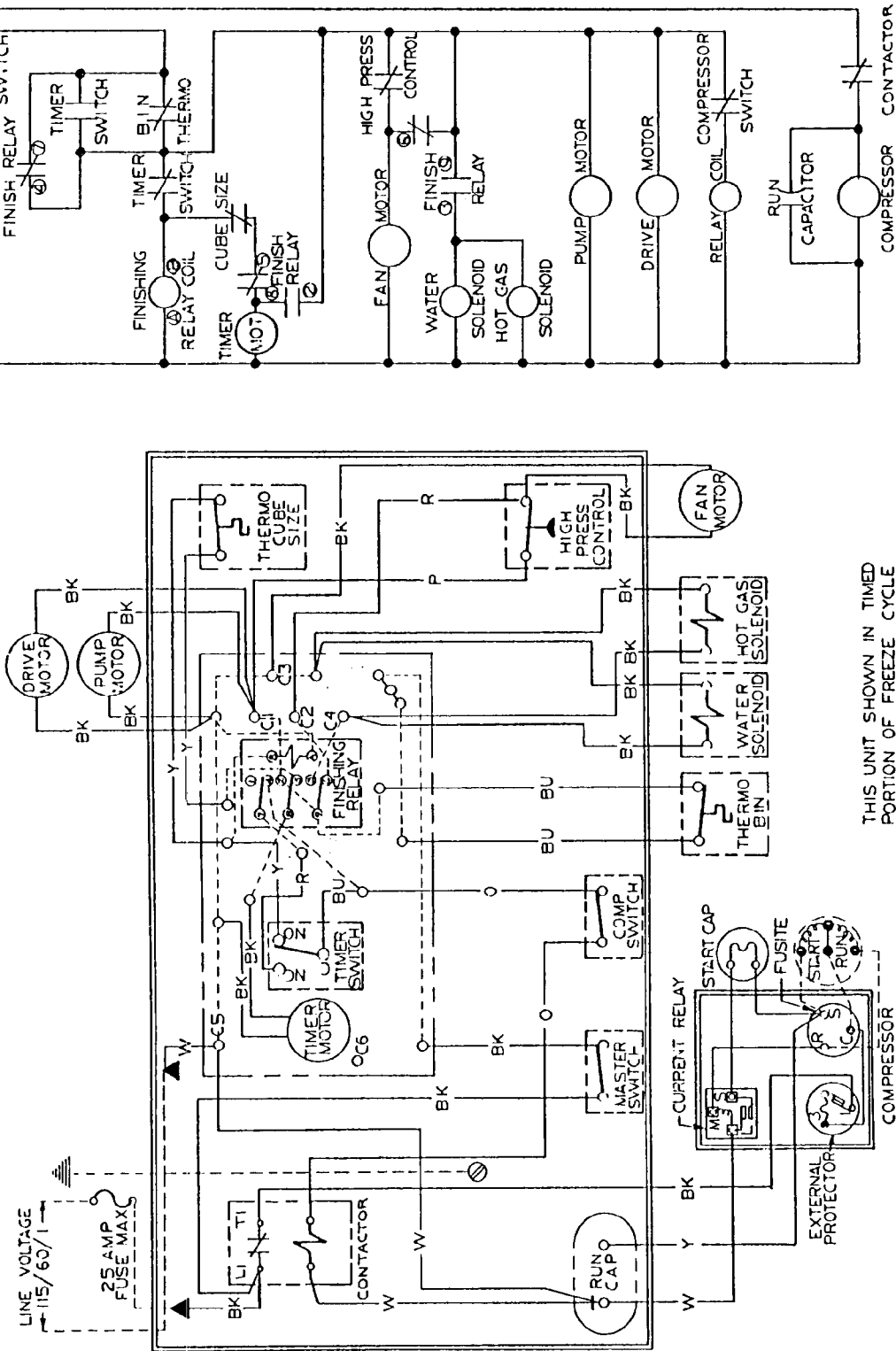
THIS UNIT SHOWN IN TIMED PORTION OF FREEZING CYCLE



Wiring Diagram - Water-Cooled AC30-1A (115/60/1)

# AC30 WIRING DIAGRAM

**CAUTION:** MORE THAN ONE DISCONNECT MAY BE REQUIRED TO DISCONNECT ALL POWER TO THIS UNIT.  
THIS UNIT MUST BE GROUNDED.



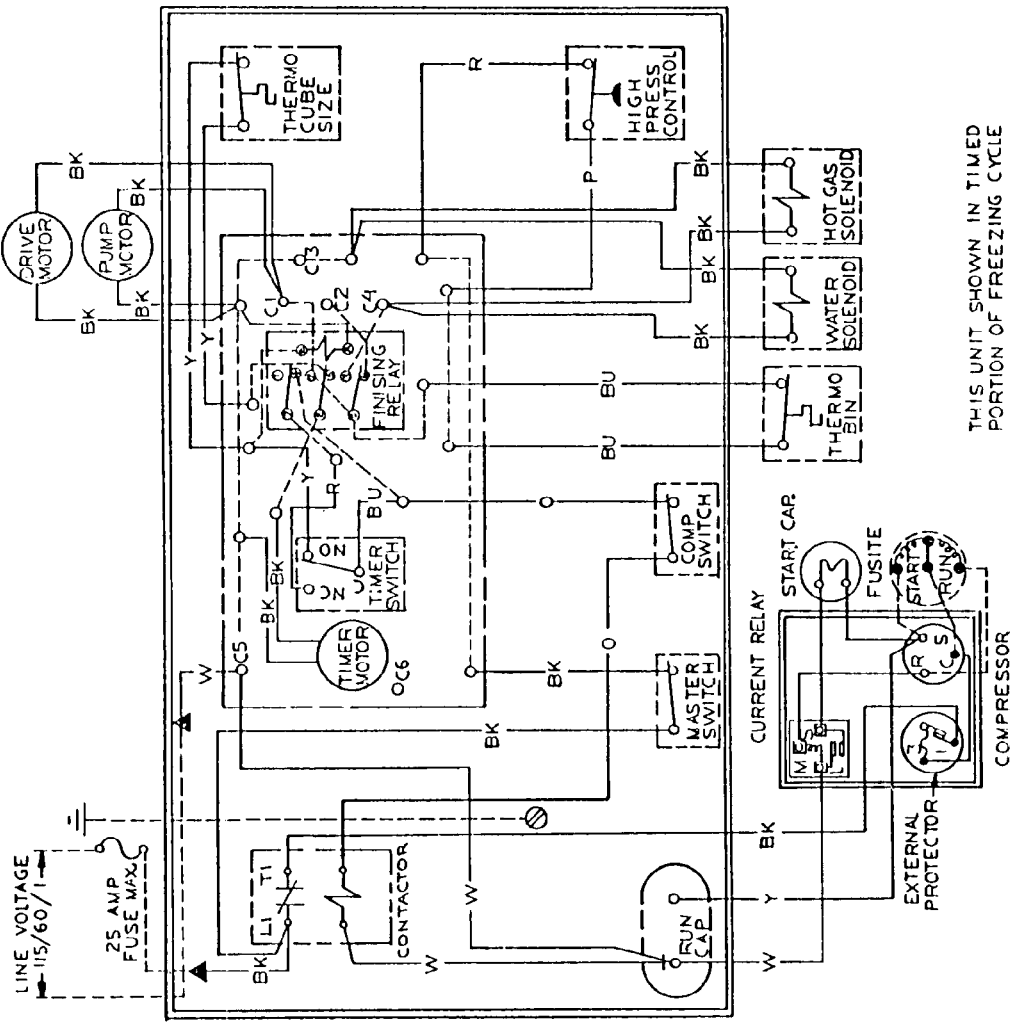
THIS UNIT SHOWN IN TIMED PORTION OF FREEZE CYCLE

A51837-001

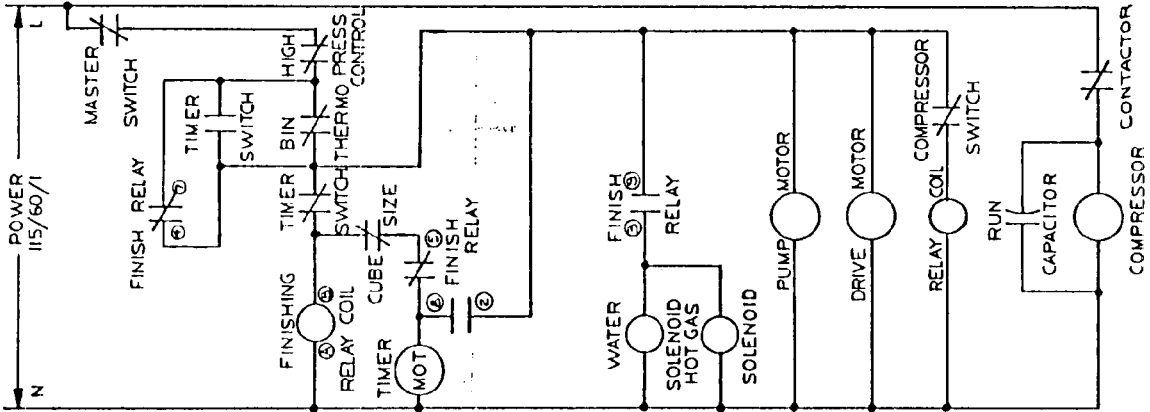
Wiring Diagram - Air-Cooled AC30-1B (115/60/1)

# AC30 WIRING DIAGRAM

**CAUTION:** MORE THAN ONE DISCONNECT MAY BE REQUIRED TO DISCONNECT ALL POWER TO THIS UNIT.  
THIS UNIT MUST BE GROUNDED.



THIS UNIT SHOWN IN TIMED PORTION OF FREEZING CYCLE



A31838-0011

Wiring Diagram - Water-Cooled AC30-1B (115/60/1)