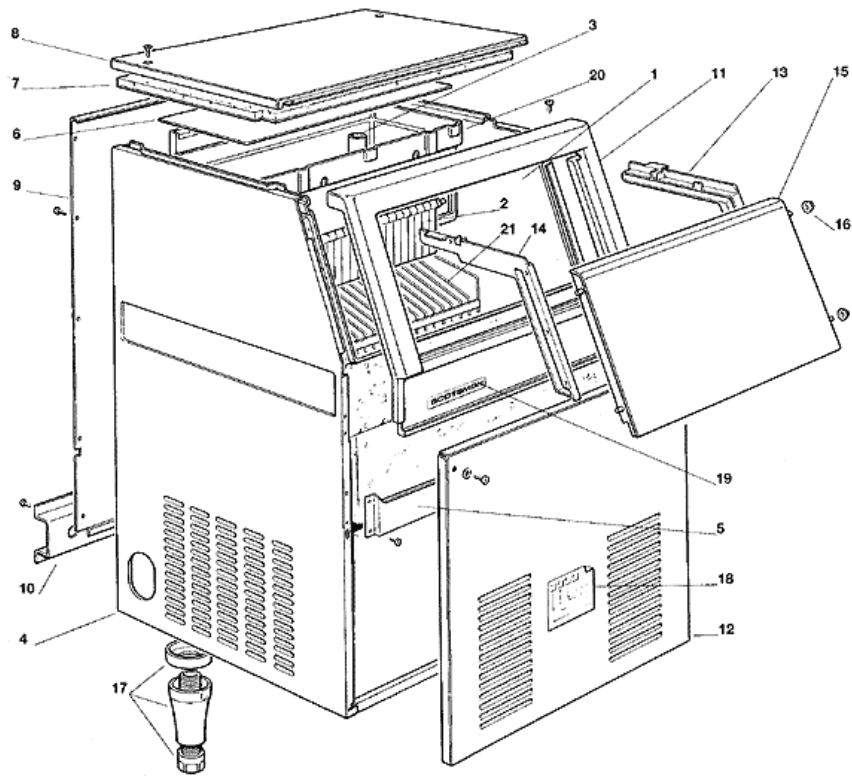


- 1 - UNIT PANELS
- 2 - REFRIGERANT SYSTEM AIR COOLED
- 3 - REFRIGERANT SYSTEM WATER COOLED
- 4 - WATER SYSTEM
- 5 - P.C. BOARD AND SENSOR ASSY (up to S.N. 2174)
- 6 - P.C. BOARD AND SENSOR ASSY (from S.N. 2175)

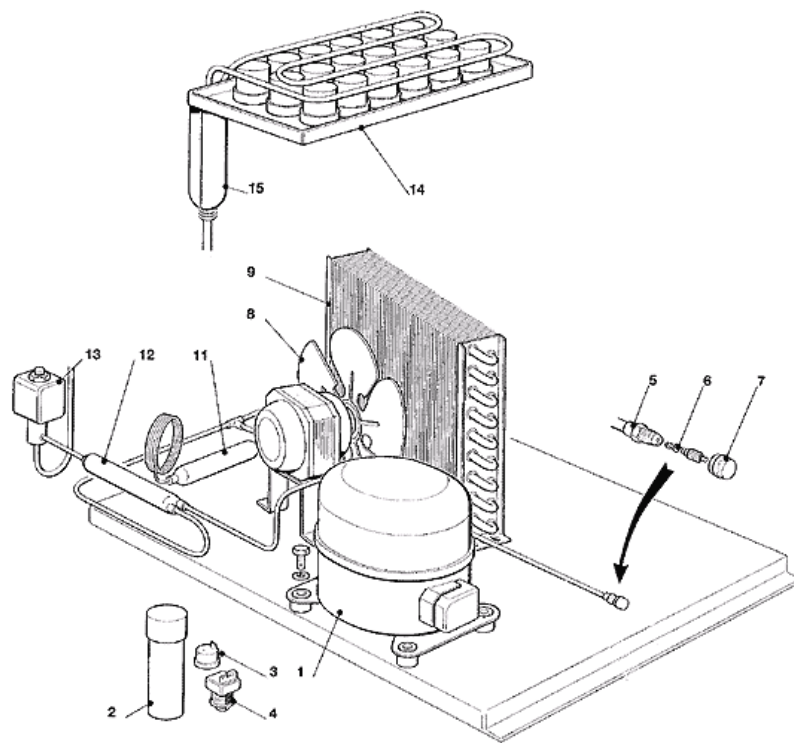
1 - UNIT PANELS





1 - UNIT PANELS

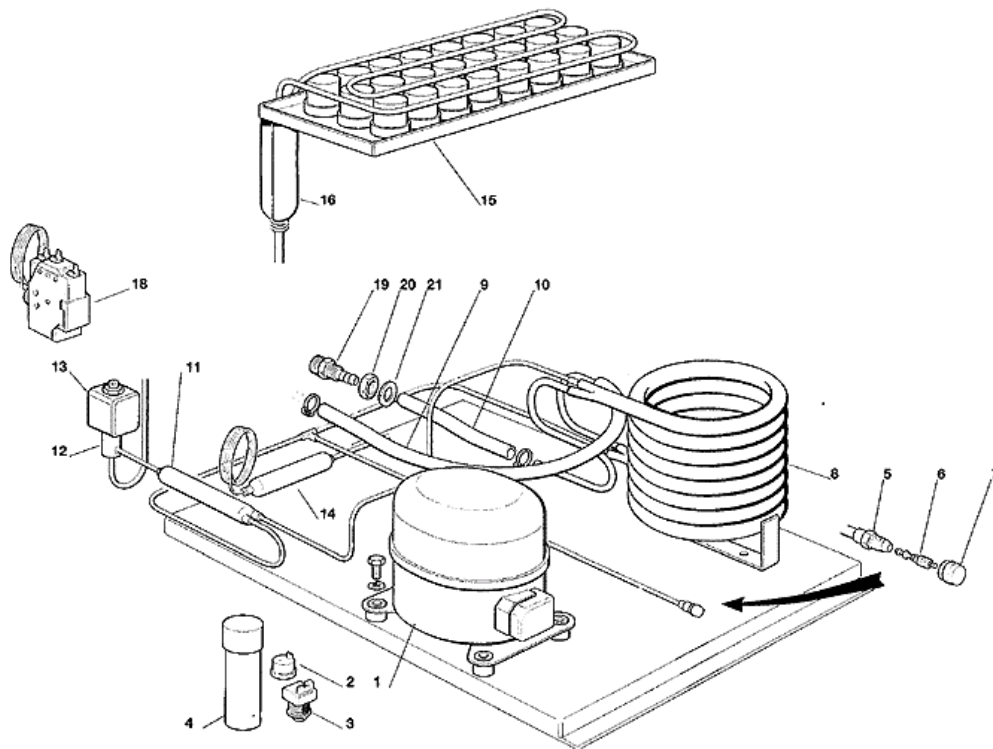
POSITION	CODE	DESCRIPTION
0001	782095 01R	STORAGE BIN ASSY
0002	784457 04R	CURTAIN ASSY
0003	660698 02	OVERFLOW TUBE
0004	721712 01	LEFT SIDE PANEL
0004	721713 01	PANEL, RIGHT
0004	791061 08	UNIT BASE
0005	702254 00	FRONT SPACER
0006	741075 02	EVAP. COVER
0007	794301 01R	UPPER INSULATION
0008	721715 01	TOP PANEL
0009	702249 00	REAR PANEL
0010	702248 00	BRACKET
0011	660641 00	BIN DOOR FRAME ONLY
0011	721669 04	S.S. FRONT PLATE
0012	721714 02	FRONT PANEL
0013	660523 00	RIGHT SIDE GUIDE
0014	660523 01	LEFT SIDE GUIDE
0015	660642 00	BIN DOOR
0016	660286 00	BUSHING
0017	650670 00	LEG KIT
0018	650624 07	LABEL
0019	660614 00	SCOTSMAN LOGO
0020	660661 01	EVAP.CHAMBER ASSY
0021	650741 00	CUBE DEFLECTOR - LARGE
0021	650741 01	CUBE DEFLECTOR - MEDIUM





2 - REFRIGERANT SYSTEM AIR COOLED

POSITION	CODE	DESCRIPTION
0001	670100 01	COMPRESSOR - 230/50/1 - CUBIGEL GP 14 TB
0001	670101 02	COMPRESSOR 230/60/1
0002	620167 01	START CAPACITOR 64-77 MFD/330V
0002	620167 29	START CAPACITOR 47MFD/330V
0003	620058 67	PROTECTOR - 230/50 - CUBIGEL GP 14 TB
0003	620058 80	PROTECTOR 230/60
0004	620057 49	RELAY - 230/60
0004	620057 56	RELAY - 230/50 - CUBIGEL GP 14 TB
0005	650109 00	VALVE BODY
0006	670012 00	VALVE CORE
0007	650106 00	CAP
0008	620419 02	FAN MOTOR - 230/50-60
0008	620419 33	BLADE
0008	620419 63	BRACKET
0009	620455 00	CONDENSER
0011	630003 05	DRIER
0012	630137 01	MECHANICAL FILTER
0013	620306 27	HOT GAS VALVE BODY
0013	620306 48	COIL - 230/50-60
0014	784477 01	EVAPORATOR ASSY - LARGE
0014	784477 02	EVAPORATOR ASSY - MEDIUM
0015	784444 10	ACCUMULATOR

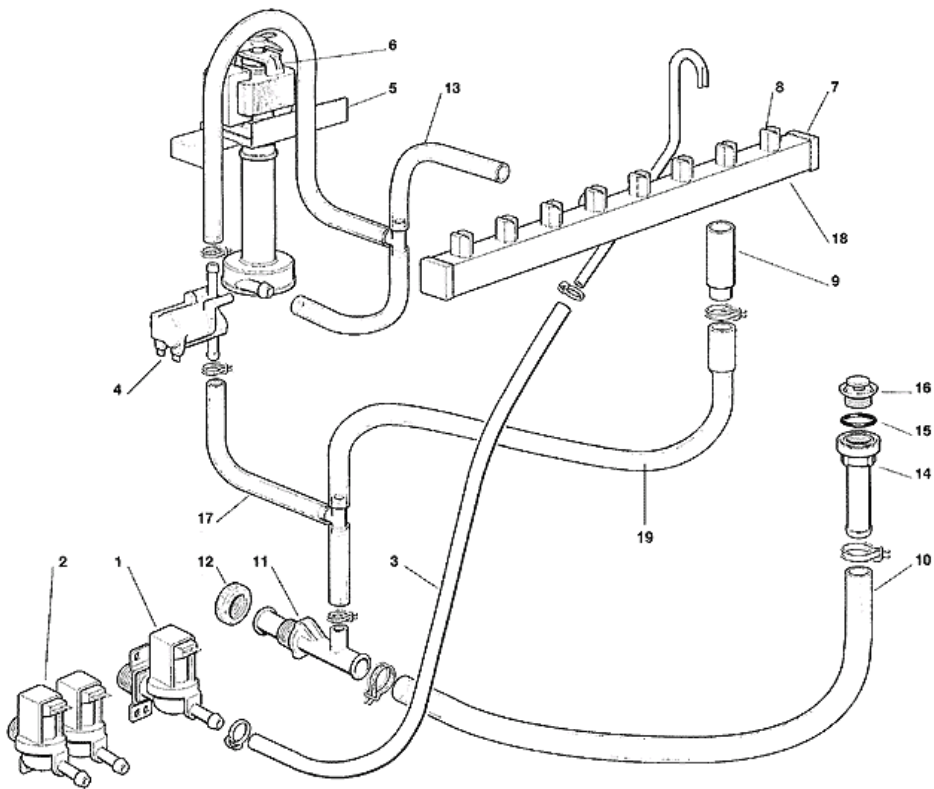




3 - REFRIGERANT SYSTEM WATER COOLED

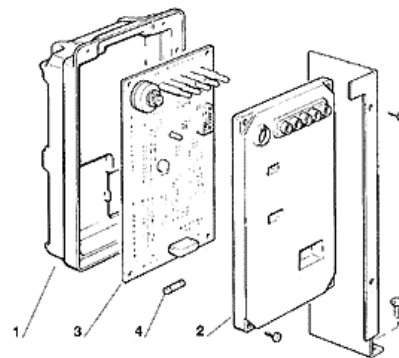
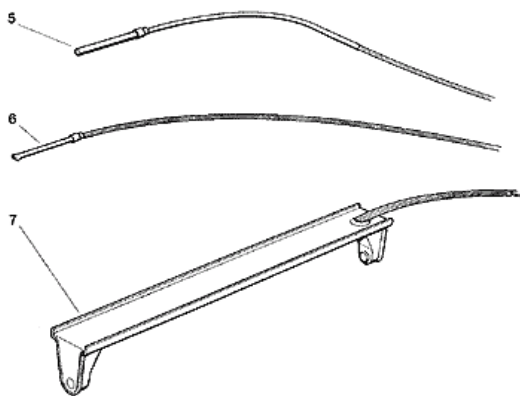
POSITION	CODE	DESCRIPTION
0001	670100 01	COMPRESSOR - 230/50/1 - CUBIGEL GP 14 TB
0001	670101 02	COMPRESSOR 230/60/1
0002	620058 67	PROTECTOR - 230/50 - CUBIGEL GP 14 TB
0002	620058 80	PROTECTOR 230/60
0003	620057 49	RELAY - 230/60
0003	620057 56	RELAY - 230/50 - CUBIGEL GP 14 TB
0004	620167 01	START CAPACITOR 64-77 MFD/330V
0004	620167 29	START CAPACITOR 47MFD/330V
0005	650109 00	VALVE BODY
0006	670012 00	VALVE CORE
0007	650106 00	CAP
0008	620389 00	CONDENSER
0009	281900 01	TUBE 16X10
0010	281900 01	TUBE 16X10
0011	630137 01	MECHANICAL FILTER
0012	620306 27	HOT GAS VALVE BODY
0013	620306 48	COIL - 230/50-60
0014	630003 05	DRIER
0015	784477 01	EVAPORATOR ASSY - LARGE
0015	784477 02	EVAPORATOR ASSY - MEDIUM
0016	784444 10	ACCUMULATOR
0018	620075 00	PRESSOSTAT
0019	660291 00	TEE TUBE (D13)
0020	400030 01	NUT
0021	400031 00	WASHER

4 - WATER SYSTEM



4 - WATER SYSTEM

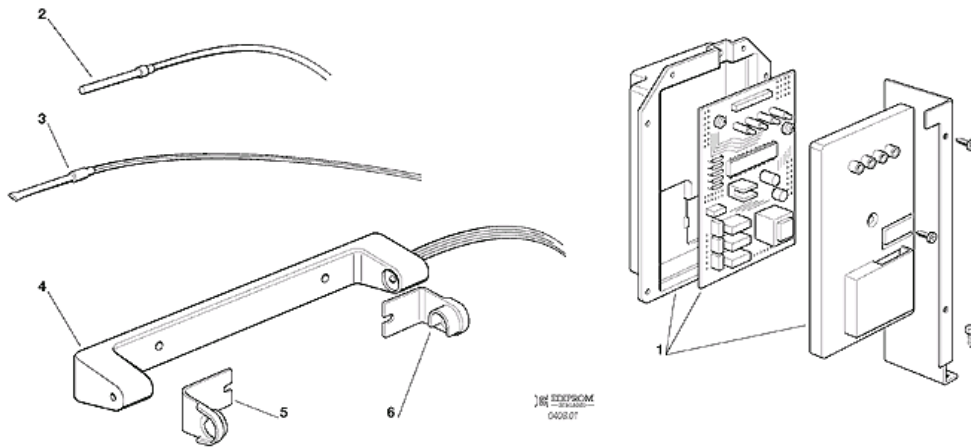
POSITION	CODE	DESCRIPTION
0001	650105 52	WATER IN. VALVE - 230/50-60 - AIR COOLED
0002	650105 51	WATER IN. VALVE - WATER COOLED
0003	281900 01	TUBE 16X10
0004	620460 00	WATER DRAIN VALVE
0005	724345 00	PUMP BRACKET
0006	620433 00	WATER PUMP 230/50
0006	620433 01	WATER PUMP 230/60
0007	660557 00	SPRAY CUP
0008	660558 00	SPRAY NOZZLE
0009	660698 02	OVERFLOW TUBE
0010	610148 10	TUBE
0011	660224 00	TEE TUBE
0012	660535 00	PLASTIC NUT
0013	610193 00	TUBE
0014	660219 01	BIN DRAIN
0015	640134 00	O RING 4093
0016	660211 01	DRAIN FILTER
0017	610176 03	DRAIN TUBE - OVERFLOW
0018	650665 23	SPRAY BAR
0018	650665 24	WATER DISTRIBUTOR TUBE LARGE
0019	610198 00	TUBE





5 - P.C. BOARD AND SENSOR ASSY (up to S.N. 2174)

POSITION	CODE	DESCRIPTION
0002	660547 01	CONTROL BOX COVER
0003	620462 00	PC BOARD ASSY - 230/50-60
0004	630015 09	FUSE 100MA 250V
0004	630015 10	FUSE 16A 250V
0005	620404 10	EVAPORATOR SENSOR
0006	620404 11	CONDENSER SENSOR
0007	650674 00	ICE LEVEL CONTROL





6 - P.C. BOARD AND SENSOR ASSY (from S.N. 2175)

POSITION	CODE	DESCRIPTION
0001	620462 00	PC BOARD ASSY - 230/50-60
0001	620462 01	P. C. BOARD ASSY - 115/60/1
0002	620404 10	EVAPORATOR SENSOR
0003	620404 11	CONDENSER SENSOR
0004	650674 00	ICE LEVEL CONTROL
0005	660720 00	PLASTIC COVER
0006	660720 01	PLASTIC COVER