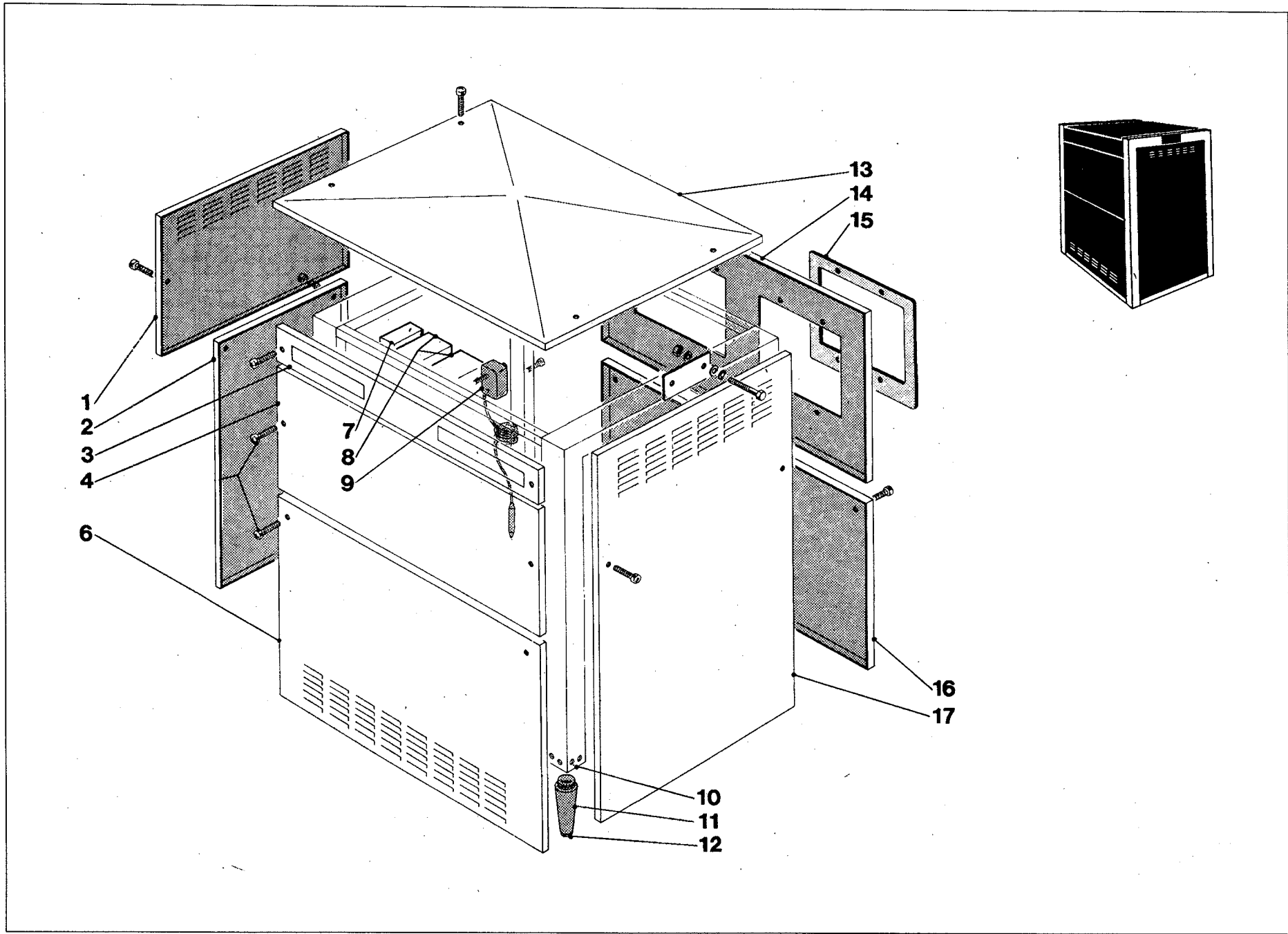


SCOTSMAN

®

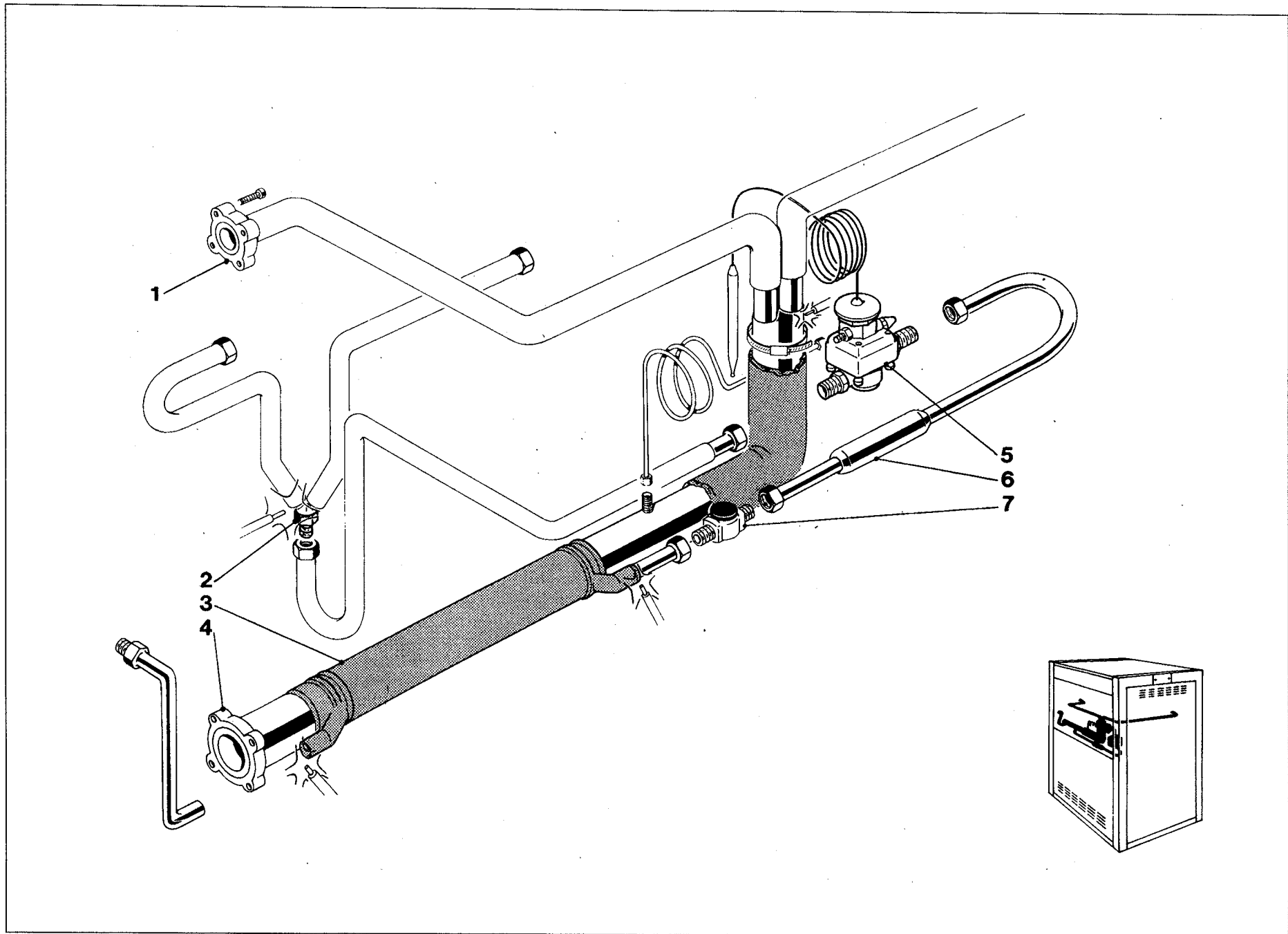
MF 102

**SPARE PARTS LIST
CATALOGO RICAMBI
CATALOGUE PIÈCES DÉTACHÉES
ERSATZTEILENKATALOG**



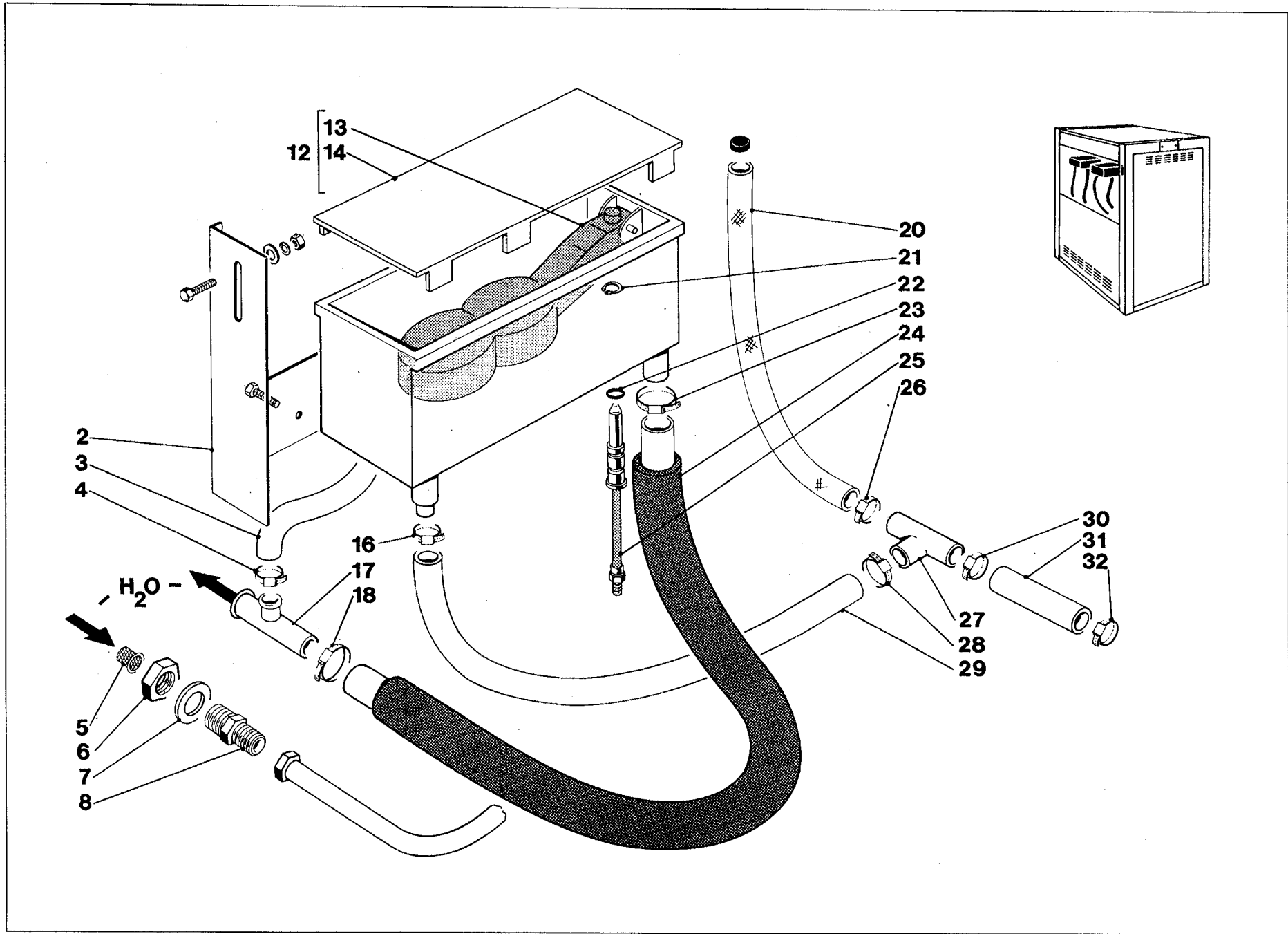
MF 102 - UNIT PANELS - ASSIEME MOBILE - ENS. CARROSSERIE - MACHINE GEHAUSE

ITEM NO POS NO REP. NO REF. NO	PART NO CODICE REFERENCE STUECK NR	DESCRIPTION	DESCRIZIONE	DESIGNATION	BESCHREIBUNG
1	701974 05	UPPER LEFT SIDE PANEL	PANNELLO SUPERIORE SX	PANNEAU SUP. GAUCHE	LINKENOBERESASWAND
2	701975 05	LOWER LEFT SIDE PANEL	PANNELLO INFERIORE SX	PANNEAU INF. GAUCHE	LINKENUNTERESAUSWAND
3-4-6	70221200	FRONT PANEL	PANNELLO FRONTALE	PANNEAU FRONTAL	VODERWAND
7	620241 00	WATER PRESSURE SWITCH	PRESSOSTATO ACQUA	PRESSOSTAT D'EAU	WASSERDRUCKSCHALTER
8	793126 14	WATER RESERVOIR ASSY	ASS. VASCHETTA GALLEGGIANTE	ENS. RÉSERVOIR	BECKEN/SCHWIMMERVERTILEINHEIT
9	620263 03	ICE LEVEL CONTROL	CONTROLLO LIVELLO GHIACCIO	CONTROL DE NIVEAU GLACE	EISNIVEAU KONTROLL
10	791050 05	UNIT FRAME ASSY	ASS. TELAIO	ENS. CHASSIS	UNTERGESTELLEINHEIT
11	751001 00	LEG	PIEDINO	PIED	FUSSE
12	400061 00	LEG LEVELLER	DADO DI REGOLAZIONE	VIS DE REGLAGE PIEDS	NIVELLIERUNGSHUELSE
13	702081 01	TOP PANEL	PANNELLO SUPERIORE	PANNEAU DESSUS	ABDECKHAUBE
14	721632 00	UPPER REAR SIDE PANEL	PANNELLO POSTERIORE SUPERIORE	PANNEAU ARRIERE SUP.	OBERE RÜCKWAND
15	660504 01	SPOUT OPENING FRAME	CORNICE IN PLASTICA	ENCADREMENT	RAHMEN
16	721651 00	LOWER REAR SIDE PANEL	PANNELLO POSTERIORE INFERIORE	PANNEAU ARRIRE INF.	UNTERE RÜCKWAND
13	701976 01	RIGHT SIDE PANEL	PANNELLO LATERALE DX	PANNEAU DROITE	RECHTENAUSSENWAND



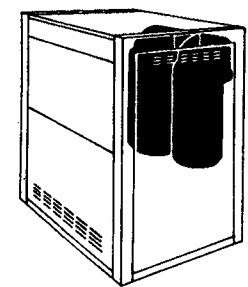
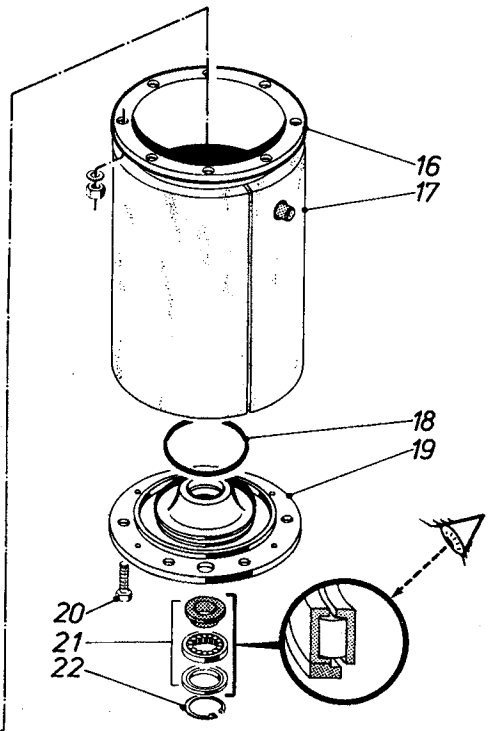
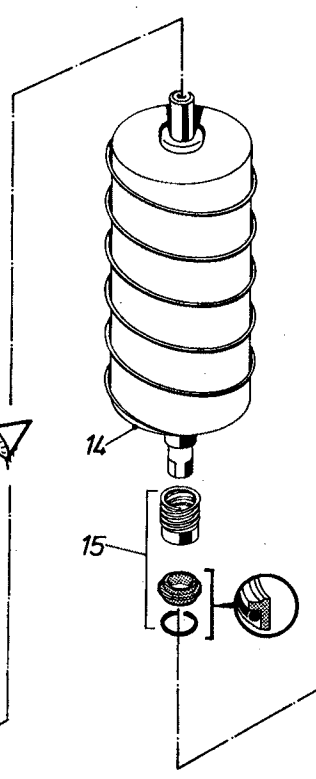
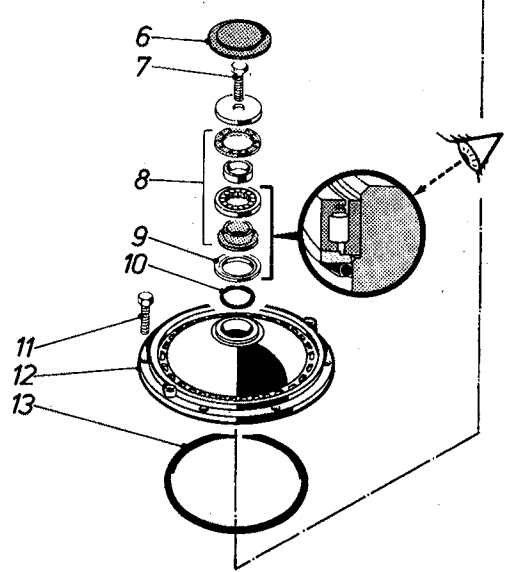
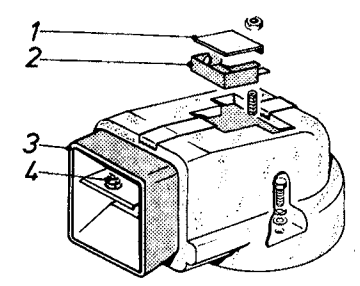
MF 102 - REFRIGERANT LINES - TUBAZIONI REFRIGERANTE - TUYAUTERIE REFRIG - KÜHLUNG ANLAGE LEITUNG

ITEM NO POS NO REP. NO REF. NO	PART NO CODICE REFERENCE STUECK NR	DESCRIPTION	DESCRIZIONE	DESIGNATION	BESCHREIBUNG
1	650521 02	FLANGE COUPLING	RACCORDO FLANGIATO	RACCORDEMENT A FLAQUE	FLANSCH ANSCHLUßSTÜCK
2	650554 01	MULTIPLE INJECTOR	INIETTORE MULTIPLIO	INJECTEUR MULTIPLE	MEHRDUSENINJEKTOR
3	620317 02	HEAT EXCHANGER	SCAMBIATORE DI CALORE	EXCHANGEUR DE CHALEUR	WARMBAUSTAUSCHER
4	650521 01	FLANGE COUPLING	RACCORDO FLANGIATO	RACCORDEMENT A FLAQUE	FLANSCH ANSCHLUßSTÜCK
5	620326 12	THERMOSTATIC EXP. VALVE	VALVOLA D'ESPANSIONE TERMOSTATICA	DETENDEUR THERMOSTATIQUE	THERM. EXPANSIONSVENTIL
6	630117 01	MECHANICAL FILTER	FILTRO MECCANICO	FILTRE MECHANIQUE	
7	620324 02	SIGHT GLASS	SPIA DEL LIQUIDO	HUBLOT INDICATEUR LIQUIDE	SCHAUGLASS



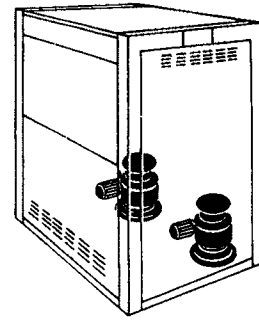
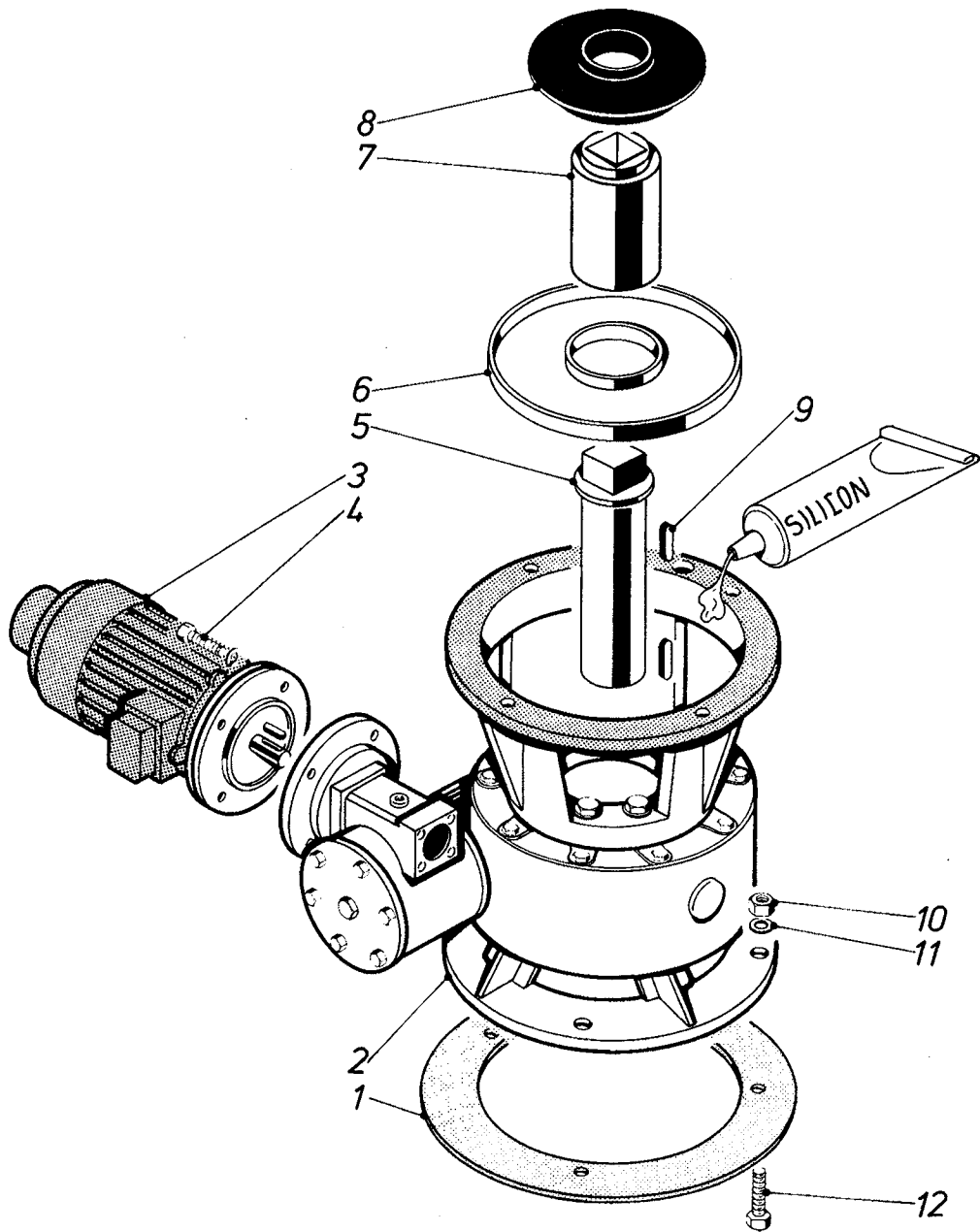
MF 102 - WATER SYSTEM - CIRCUITO IDRAULICO - CIRCUIT HYDRAULIQUE - WASSERSYSTEM

ITEM NO POS NO REP. NO REF. NO	PART NO CODICE REFERENCE STUECK NR	DESCRIPTION	DESCRIZIONE	DESIGNATION	BESCHREIBUNG
2	723130 01	RESERVOIR BRACKET	SUPPORTO VASCHETTA	SUPPORT RESERVOIR	WASSERBECKENHALTERUNG
3	610159 00	PLASTIC TUBE	TUBO IN PLASTICA	TUYAU EN PLASTIQUE	PLASTIK ROHR
4	460037 00	CLAMP	FASCETTA	COLLIER	SHELLE
5	650104 00	STRAINER	FILTRO	FILTRE	FILTER
6	400053 00	NUT	DADO	ECROU	MUTTER
7	400052 00	FIBER WASHER	RONDELLA IN FIBRA	RONDELLE EN FIBRE	FIBER SCHEIBE
8	733207 00	WATER INLET FITTING	RACCORDO INGRESSO ACQUA	RACCORD ARRIVÉE D'EAU	WASSEREINLAUFSTÜCK
12	793126 14	WATER RESERVOIR ASSY	ASS. VASCHETTA GALLEGGIANTE	ENS. RÉSERVOIR	BECKEN/SCHWIMMERVERTILEINHEIT
13	660585 01	FLOAT VALVE ASSY	ASS. GALLEGGIANTE	ENS. VANNE A FLOTTEUR	SCHWIMMERVERTIL-EINHEIT
14	783160 00	WATER RESERVOIR COVER	COPERCHIO VACHETTA	COUVERCLE	BECKENABDECKUNG
16	460037 04	CLAMP	FASCETTA	COLLIER	SHELLE
17	660224 00	WATER DRAIN FITTING	RACCORDO SCARICO ACQUA	RACCORD EVACUATION EAU	WASSERABFLUSSANSCHLUSSE
18	460036 00	CLAMP	FASCETTA	COLLIER	SHELLE
20	281900 03	PLASTIC TUBE - PER MTR	TUBO IN PLASTICA - PER METRO	TUYAU EN PLASTIQUE - POUR METRE	PLASTIK ROHR - PRO METER
21	460038 02	CLIP RING	ANELLO SEEGER	CIRCLIP	RING
22	640100 00	O RING	GUARNIZIONE OR	JOINT TORIQUE	SIMMERING
23	460022 00	CLAMP	FASCETTA	COLLIER	SHELLE
24	281830 00	WATER DRAIN HOSE - PER METER	TUBO SCARICO ACQUA - PER METRO	TUYAU D'ECOULEMENT EAU - PAR METRE	WASSER ABFLUSSROHR
25	723107 01	NOZZLE	UGELLO	GICLEUR	VENTILSDUESE
26	460002 00	CLAMP	FASCETTA	COLLIER	SHELLE
27	784391 00	'T' FITTING	RACCORDO A 'T'	RACCORD A 'T'	'T' STUCK
28	460037 04	CLAMP	FASCETTA	COLLIER	SHELLE
29	281830 00	PLASTIC TUBE - PER MTR	TUBO IN PLASTICA - PER METRO	TUYAU EN PLASTIQUE - POUR METRE	PLASTIK ROHR - PRO METER
30	460037 04	CLAMP	FASCETTA	COLLIER	SHELLE
31	281830 00	PLASTIC TUBE - PER MTR	TUBO IN PLASTICA - PER METRO	TUYAU EN PLASTIQUE - POUR METRE	PLASTIK ROHR - PRO METER
32	460037 04	CLAMP	FASCETTA	COLLIER	SHELLE



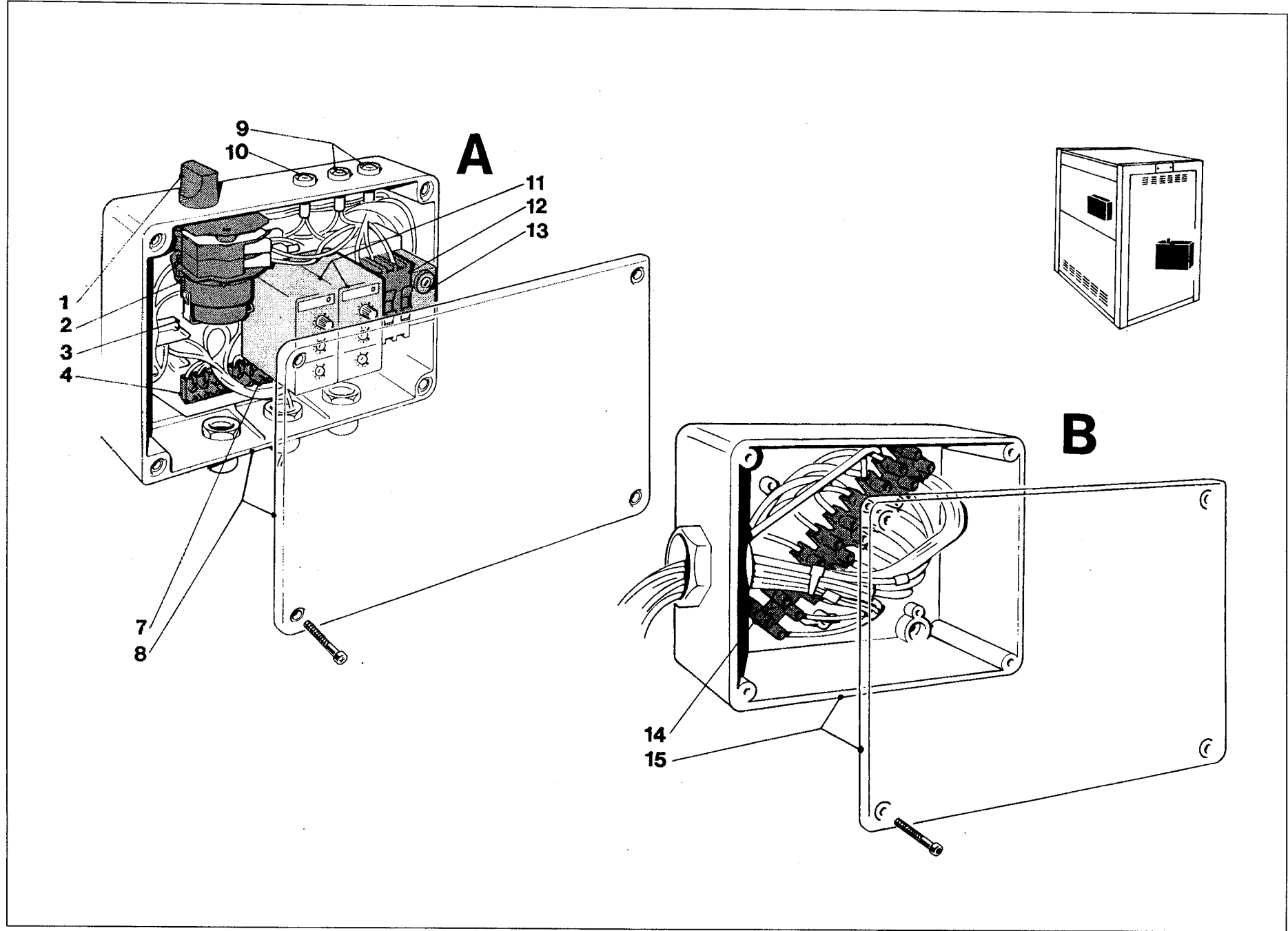
MF 102 - FREEZER ASSY - ASSIEME EVAPORATORE - ENSEMBLE EVAPORATEUR - GEFRIERZYLINDEREINHEIT

ITEM NO POS NO REP. NO REF. NO	PART NO CODICE REFERENCE STUECK NR	DESCRIPTION	DESCRIZIONE	DESIGNATION	BESCHREIBUNG
1-2	724100 02 620396 00	SPOUT MICROSWITCH BOX SPOUT SWITCH ONLY	ASS. SCATOLA INTERRUTTORE BOCCHETTA MICRO BOCCHETTA	BOITE MICROINTERRUPTEUR	KASTER MIKRO SCHALTER
3	794266 02	PLASTIC SPOUT	BOCCHETTA IN PLASTICA	GOULOTTE EN PLASTIQUE	PLASTIKEISWURFSCHUTTE
4	784367 01	PRESSURE PLATE ASSY	ASS. PISTRINA DI PRESSIONE	PLAQUE DE PRESSION	DRÜCK PLATTE
6	660492 01	PLASTIC CUP	CALOTTA IN PLASTICA	CALOTTE	KUGELHAUBE
7	420002 18	SCREW	VITE	VIS	SCHRAUBE
8	651062 01	TOP BEARING	CUSCINETTO SUPERIORE	PALIER SUPERIEUR	OBERESLAGER
9	651010 00	BRASS RING	ANELLO DI OTTONE	ANNEAU EN LAITON	ENTFERNENSTUECK
10	640041 16	O RING	GUARNIZIONE OR	JOINT TORIQUE	O RING
11	420002 21	SCREW	VITE	VIS	SCHRAUBE
12	743140 02	ICE BREAKER	ROMPIGHIACCIO	BROYEUR	EISBRECHER
13	640041 14	O RING	GUARNIZIONE OR	JOINT TORIQUE	O RING
14	784352 05	AUGER	COCLEA	VIS SANS FIN	SCHNECKE
15	650525 00	WATER SEAL	ASSIEME PREMISTOPPA	GARNITURE D'ETANCHEITE	WASSERDICHTUNGEINHEIT
16	650672 01	WORM TUBE ONLY	TUBO EVAPORATORE	CYLINDRE EVAPORATEUR	GEFRIERZYLINDER
17	650736 00	INSULATION	ISOLAMENTO	ISOLATION	ISOLIERUNG
18	640041 24	O RING	GUARNIZIONE OR	JOINT TORIQUE	O RING
19	743144 00	BEARING RETAINER	SUPPORTO CUSCINETTO	LOGEMENT PALIER	UNTERESLAGERGEHAUSE
20	420002 16	SCREW	VITE	VIS	SCHRAUBE
21	651062 00	LO BEARING	CUSCINETTO INFERIORE	PALIER INFERIEUR	UNTERESLAGER
22	460044 00	CLIP RING	ANELLO SEEGER	CIRCLIP	RING
*	794293 00	FREEZER ASSY	ASSIEME EVAPORATORE	ENS. EVAPORATEUR	GEFRIERZYLINDEREINHEIT



MF 102 - GEAR MOTOR ASSY - ASSIEME MOTORIDUTTORE - ENSEMBLE MOTOREDUCTEUR - GETRIEBEMOTOREINHEIT

ITEM NO POS NO REP. NO REF. NO	PART NO CODICE REFERENCE STUECK NR	DESCRIPTION	DESCRIZIONE	DESIGNATION	BESCHREIBUNG
1	650584 00	ABS GASKET	GUARNIZIONE IN ABS	JOINT EN ABS	ABS DICHTUNG
2	620408 00	GEAR REDUCER ASSY	ASS. MOTORIDUTTORE	ENS .MOTOREDUCTEUR	GETRIEBEMOTOR-EINHEIT
3	620409 00	DRIVE MOTOR ASSY	MOTORE RIDUTTORE	MOTEUR DU REDUCTEUR	MOTOREINHEIT
4	420019 00	SCREW	VITE	VIS	SCHRAUBE
5	704255 01	SHAFT	ALBERO DI TRASMISSIONE	AXE DE TRASMISSION	SCHAFT
6	660495 00	DRIP TRAY	VASSOIO RACCOGLIGOCCE	GOUELLE D'EAU	TROPFSCHALE
7	764014 00	COUPLING	GIUNTO	BAGUE D'ACCOUPEMENT CPL	KUPPLUNG
8	640108 00	RUBBER PAN	CONVOGLIATORE	PARA GOUTTES	ENTWASSERNWAND
9	460043 00	KEY	CHIAVETTA	CLAVETTE	KEIL
10	430001 07	NUT	DADO	ECROU	MUTTER
11	440015 07	WASHER	RONDELLA	RONDELLE	SCHEIBE
12	420002 19	SCREW	VITE	VIS	SCHRAUBE



MF 102 - CONTROL BOX - ASSIEME SCATOLA ELETTRICA - ENSAMBLE BOITIER ELECTRIQUE - ELEKTRISCHEKASTEN

ITEM NO POS NO REP. NO REF. NO	PART NO CODICE REFERENCE STUECK NR	DESCR PTION	DESCRIZIONE	DESIGNATION	BESCHREIBUNG
1	745008 00	TIMER CONTROL KNOB	MANOPOLA TIMER	BOUTON TEMPORISATEUR	ZEITUHR KNOFF
2	620328 01	TIMER	TEMPORIZZATORE	PROGRAMMETEUR DE FONCT.	STEUERUNGZEITHUR
3	630114 00	TERMINAL BOARD	MORSETTIERA	BORNIER	ANSCHLUSSKASTEN
4	630083 07	TERMINAL BOARD	MORSETTIERA	BORNIER	ANSCHLUSSKASTEN
7	630083 06	TERMINAL BOARD	MORSETTIERA	BORNIER	ANSCHLUSSKASTEN
8	745004 06	BOX WITH COVER	SCATOLA CON COPERCHIO	BOITE AVEC COUVERCLE	KASTEN MIT DECKEL
9	630091 09	GREEN LIGHT	LUCE SPIA VERDE	VOYANT LUMINEUX VERT	GRUENSIGNALLAMPE
10	630091 08	RED LIGHT	LUCE SPIA ROSSA	VOYANT LUMINEUX ROUGE	ROTSIGNALLAMPE
11	620391 00	CURRENT RELAY	RELE' AMPEROMETRICO	RELAY AMPEROMETRIQUE	
12	630124 00	CONTACTOR	TELERUTTORE	CONTACTEUR	MAGNETSCHALTER
13	620445 00	TIME DELAY	RITARDATORE	TEMPORISATEUR DE SECURITE	SICHERUNGSZEITUHR
14	745004 06	BOX WITH COVER	SCATOLA CON COPERCHIO	BOITE AVEC COUVERCLE	KASTEN MIT DECKEL
15	630083 06	TERMINAL BOARD	MORSETTIERA	BORNIER	ANSCHLUSSKASTEN