

SCOTSMAN

®

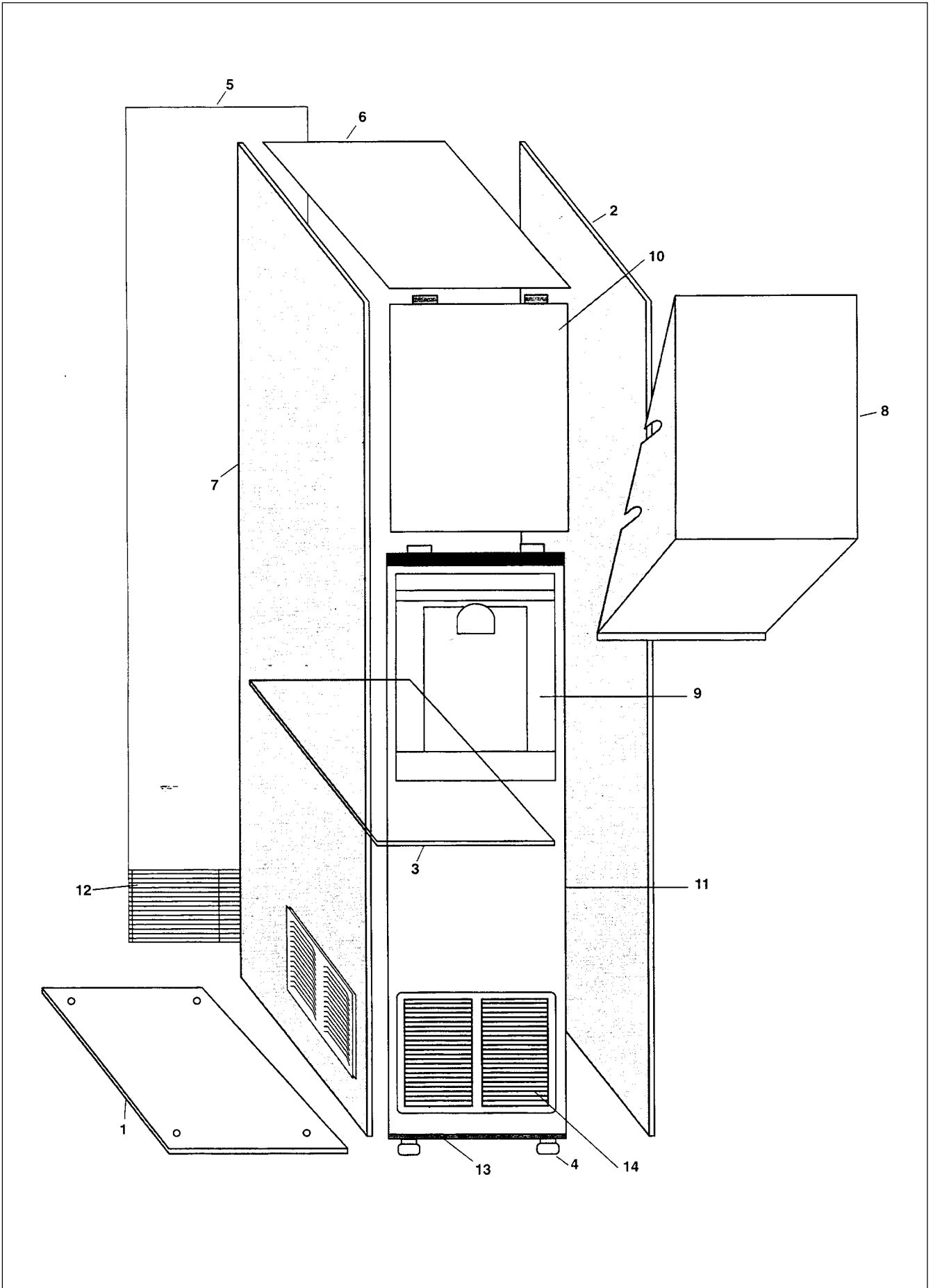
**ELECTRONIC
CUBES DISPENSER**

CD 40

R 22 AND R 134 A VERSION

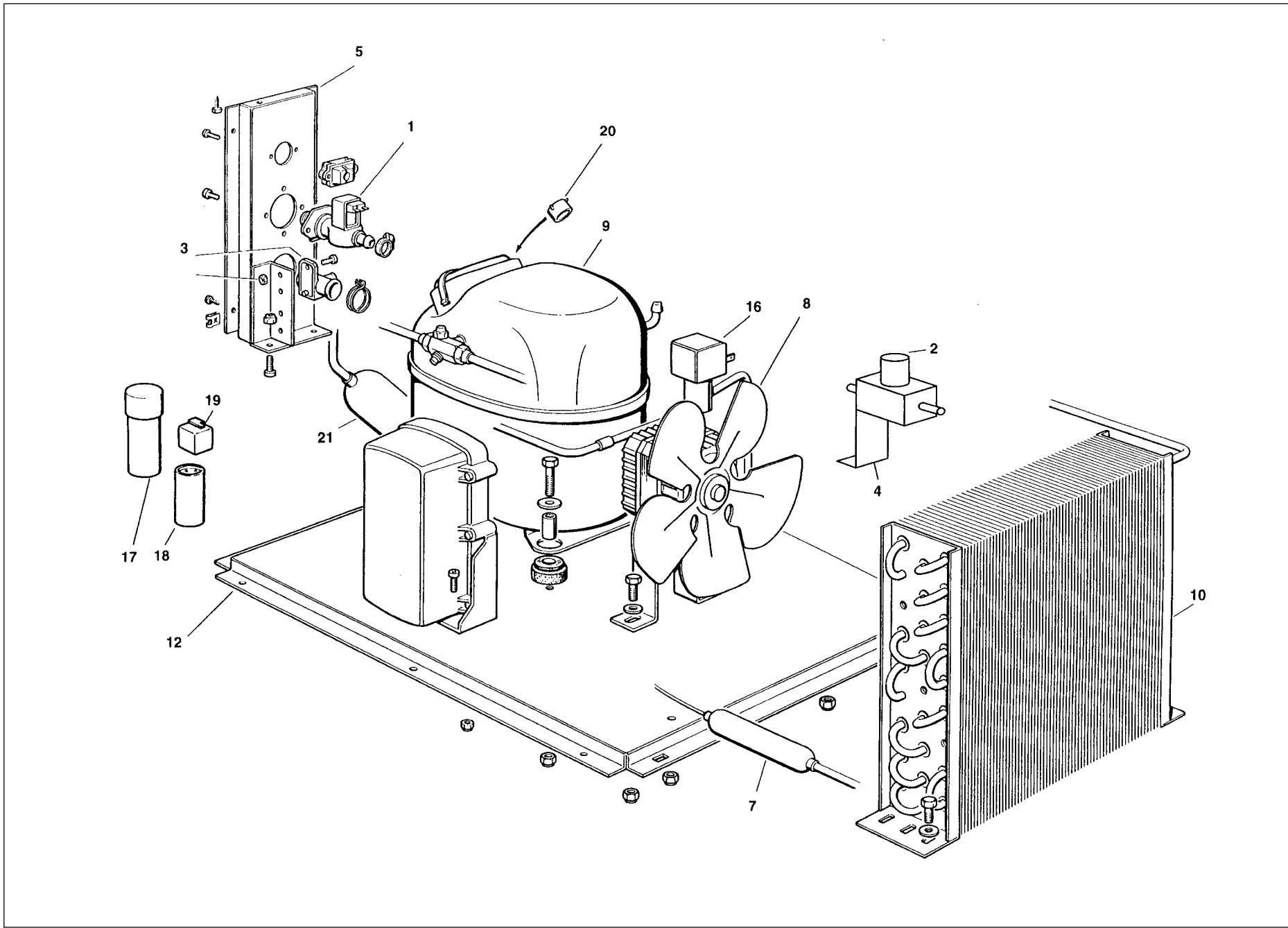
**SPARE PARTS LIST
CATALOGO RICAMBI
CATALOGUE PIÈCES DÉTACHÉES
ERSATZTEILENKATALOG**

PAGE PAGINA PAGE SEITE	TABLE OF CONTENTS	INDICE	TABLE DES MATIÈRES	INHALTVERZEICHNIS
1	TABLE OF CONTENTS	INDICE	TABLE DES MATIÈRES	INHALTVERZEICHNIS
2/3	CABINET ASSY	ASSIEME MOBILE	ENSEMBLE CAROSSERIE	MASCHINE GEHÄUSE
4/5	REFRIGERANT SYSTEM AIR COOLED	SISTEMA REFRIGERANTE RAFFR. AD ARIA	CIRCUIT FRIGORIFIQUE REFROID. A AIR	WASSERKREISLAUF LUFTGEKÜHLT
6/7	REFRIGERANT SYSTEM WATER COOLED	SISTEMA REFRIGERANTE RAFFR. AD ACQUA	CIRCUIT FRIGORIFIQUE REFROID. A EAU	WASSERKREISLAUF WASSERGEKÜHLT
8/9	WATER SYSTEM	CIRCUITO IDRAULICO	CIRCUIT HYDRAULIQUE	WASSERKREISLAUF
10/11	PC BOARD, SENSOR ASSY AND DRIVE MECHANISM	SCHEDA ELETTRONICA, SENSORI E MOTORE DISTR.	ENS. CARTE ELECTRONIQUE, DETECTEURS ET MOTEUR DISTR.	PLATINE, FÜHLEREINHEIT UND TREIBWERIT



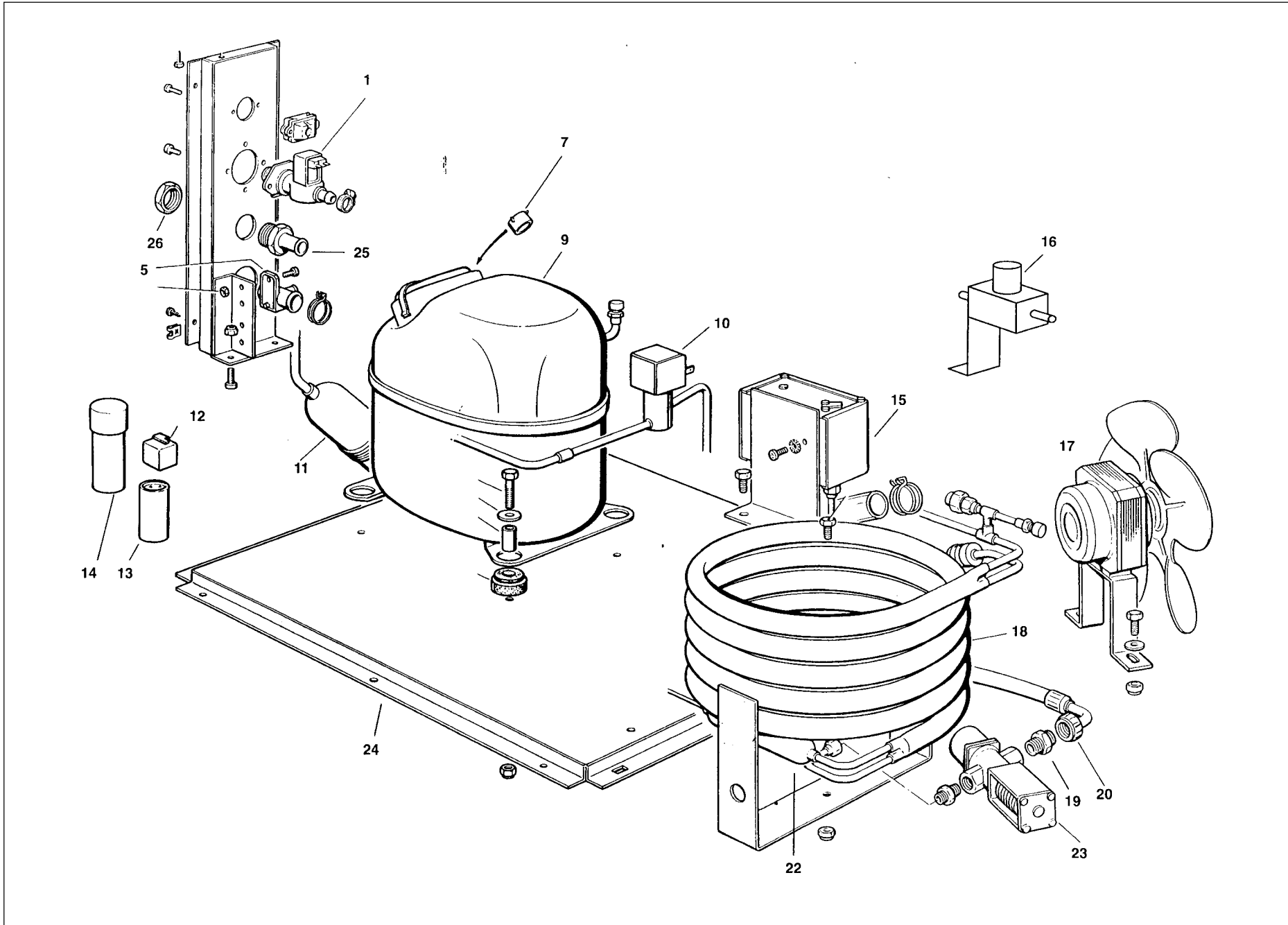
CABINET ASSY - ASSIEME MOBILE - ENSEMBLE CAROSSERIE - MACHINE GEHÄUSE

ITEM NO POS NO REP. NO REF. NO	PART NO CODICE REFERENCE STUECK NR.	DESCRIPTION	DESCRIZIONE	DESIGNATION	BESCHREIBUNG
1	CM 25115004	BASE	BASAMENTO MACCHINA	CHASSIS	CHASSIS RAHREN
2	CM 25330718 CM 25330720	RIGHT SIDE PANEL S.S. RIGHT SIDE PANEL	FIANCO DESTRO FIANCO DESTRO INOX	PANNEAU DROIDE PANNEAU DROITE INOX	RECHTE WAND RECHTE WAND-EDELSTAHL
3	CM 25547087	DIVISIONAL PANEL	PANN. DIVISORIO	PANNEAU DIVISEUR	TRENNUNGSWAND§
4	CM 81502119	LEG	PIEDINO	PIED	FUSS
5	CM 25547083 CM 25547084	BACK PANEL S.S. BACK PANEL	PANNELLO POSTERIORE PANNELLO POSTERIORE INOX	PANNEAU POSTERIEUR PANNEAU POSTERIEUR INOX	RÜCKWAND RÜCKWAND-EDELSTAHL
6	CM 25161070 CM 25161071	COVER S.S. COVER	COPERCHIO COPERCHIO INOX	COUVERCLE COUVERCLE INOX	DECKEL DECKEL-EDELSTAHL
7	CM 25330719 CM 25330721	LEFT SIDE PANEL S.S. LEFT SIDE PANEL	FIANCO SINISTRO FIANCO SINISTRO INOX	PANNEAU GAUCHE PANNEAU GAUCHE INOX	LINKE WAND LINKE WAND-EDELSTAHL
8	CM 25260468	DEFLECTOR	DEFLETTORE	DEFLECTEUR	RUTSCHPLATTE
9	CM 81401573	DISPENSER FRAME ASSY	CORNICE PORTABICCHIERI	CORNICE PORTE-VERRES	GLASSHÄLTER-RAHMEN
10	CM 81401524 CM 81401559	FRONT PANEL S.S. FRONT PANEL	PANNELLO POSTERIORE PANNELLO ANTERIORE INOX	PANNEAU ANTERIEUR PANNEAU ANTERIEUR INOX	FRONTWAND FRONTWAND EDELSTAHL
11	CM 25547079 CM 25547080	LOWER PANEL S.S. LOWER PANEL	PANNELLO INFERIORE PANNELLO INFERIORE INOX	PANNEAU INFERIEUR PANNEAU INFERIEUR INOX	UNTERE WAND UNTERE WAND-EDELSTAHL
12	CM 25380710	BACK GRID	GRIGLIA POSTERIORE	GRILLE ARRIERE	RÜCKGITTER
13	CM 25620306	PROFILE	PROFILO	PROFILÉ	PROFIL
14	CM 25610087 CM 25610088	FRONT LOUVERED PANEL S.S. FRONT LOUVERED PANEL	PANNELLO FRONTALE ALETTATO PANNELLO FRONTALE ALETTATO INOX	PANNEAU FRONTAL DE VENT. PANNEAU FRONTAL DE VENT. INOX	LUFTEINLASS LUFTEINLASS-EDELSTAHL
-	CM 19262585	SCOTSMAN LABEL	ETICHETTA FRONTALE SCOTSMAN	ETIQUETTE SCOTSMAN	SCOTSMAN-FRONTETIKETT



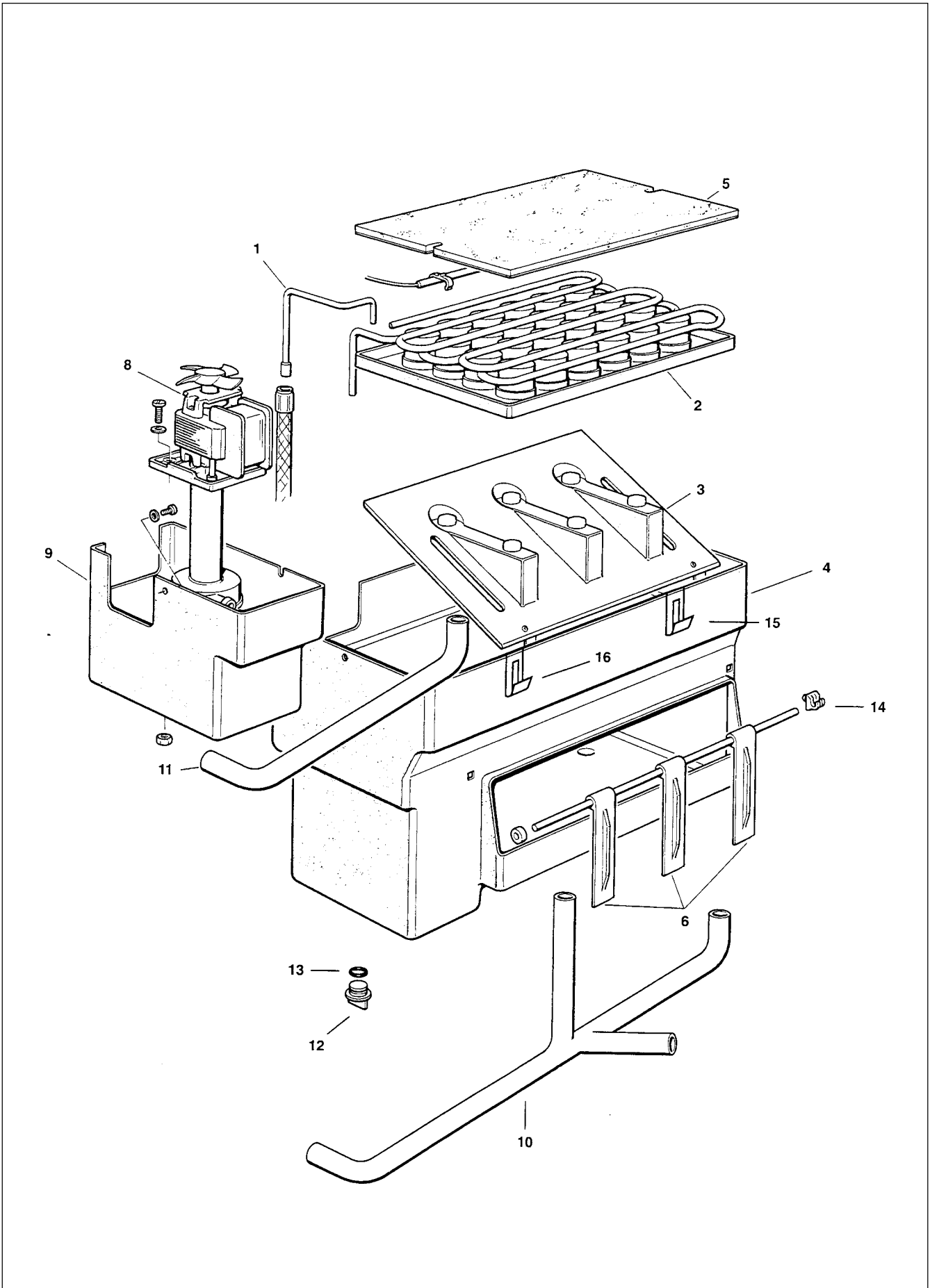
REFRIGERANT SYSTEM-AIR COOLED - SISTEMA REFRIGERANTE-RAFFR. AD ARIA
CIRCUIT FRIGORIFIQUE-REFROID. A AIR - WASSERKREISLAUF-LUFTGEKÜHLT

ITEM NO POS NO REP. NO REF. NO	PART NO CODICE REFERENCE STUECK NR.	DESCRIPTION	DESCRIZIONE	DESIGNATION	BESCHREIBUNG
1	620406.01	WATER INLET VALVE	VALV. INGR. ACQUA	VANNE D'ARRIVÉE D'EAU	WASSERVENTIL
2	650105.50	WATER DRAIN VALVE	ELETTROVALV. SCARICO ACQUA	ELECTROVANNE EVACUATION EAU	WASSERABFLUSSVENTIL
3	CM 25690806	DRAIN FITTING	RACCORDO DI SCARICO	RACCORD SORTIE EAU	MACHINEN ABFLUSS
4	CM 25726499	BRACKET	SUPPORTO VALVOLA SCARICO	SUPPORT VANNE EVACUATION	ABFLUSSVENTIL-HALTER
5	CM 81418352	METAL PLATE	ASS. SUPP. ATTACCHI	SUPPORT	VERSCHLUSSHALTEREINHEIT
7	CM 10106332	DRIER	FILTRO	FILTRE	FILTER
8	CM 18562498	FAN MOTOR	MOTORE VENTIL.	MOTOVENTILATEUR	LÜFTERMOTOR
8A	CM 18740024	FAN BLADE	VENTOLA	HELICE	FLÜGEL
9	CM 19165536 670101 00	COMPRESSOR - R 22 COMPRESSOR - R 134 A	COMPRESSORE - R 22 COMPRESSORE - R 134 A	COMPRESSEUR - R 22 COMPRESSEUR - R 134 A	COMPRESSOR - R 22 COMPRESSOR - R 134 A
10	CM 19180085 CM 19180090	CONDENSER - R 22 CONDENSER - R 134 A	CONDENSATORE - R 22 CONDENSATORE - R 134 A	CONDENSEUR - R 22 CONDENSEUR - R 134 A	KONDENSATOR-LUFTGEKÜHLT - R 22 KONDENSATOR-LUFTGEKÜHLT - R 134 A
12	CM 25115005	UNIT BASE	BASAMENTO	BASE	SOCKEL
16	CM 19863033	HOT GAS VALVE ASSY	VALVOLA GAS CALDO	VANNE DE GAZ CHAUDS	HEISSGASVENTIL
17	CM 19180452	RUN CAPACITOR - R 22	CONDENSATORE DI MARCIA - R 22	CAPACITE DE MARCHE - R 22	BETRIEBSKONDENSATOR - R 22
18	CM 19180442 620167 01	START CAPACITOR - R 22 START CAPACITOR - R 134 A	CONDENSATORE DI SPUNTO - R 22 CONDENSATORE DI SPUNTO - R 134 A	CAPACITE DE DEMARRAGE - R 22 CAPACITE DE DEMARRAGE - R 134 A	STARTKONDENSATOR - R 22 STARTKONDENSATOR - R 134 A
19	CM 19621680 620057 42	START RELAY - R 22 START RELAY - R 134 A	RELÈ - R 22 RELÈ - R 134 A	RELAIS - R 22 RELAIS - R 134 A	RELAIS - R 22 RELAIS - R 134 A
20	CM 19560150 620058 77	PROTECTOR - R 22 PROTECTOR - R 134 A	PROTETTORE - R 22 PROTETTORE - R 134 A	PROTECTEUR - R 22 PROTECTEUR - R 134 A	SCHUTZVORRICHTUNG - R 22 SCHUTZVORRICHTUNG - R 134 A
21	CM 81401537	ACCUMULATOR	ASS. SCAMBIATORE	ACCUMULATEUR	SAMMLER
*	CM 19550372	PRESSURE CTL - R 134 A	PRESSOSTATO - R 134 A	PRESSOSTAT - R 134 A	PRESSOSTAT - R 134 A



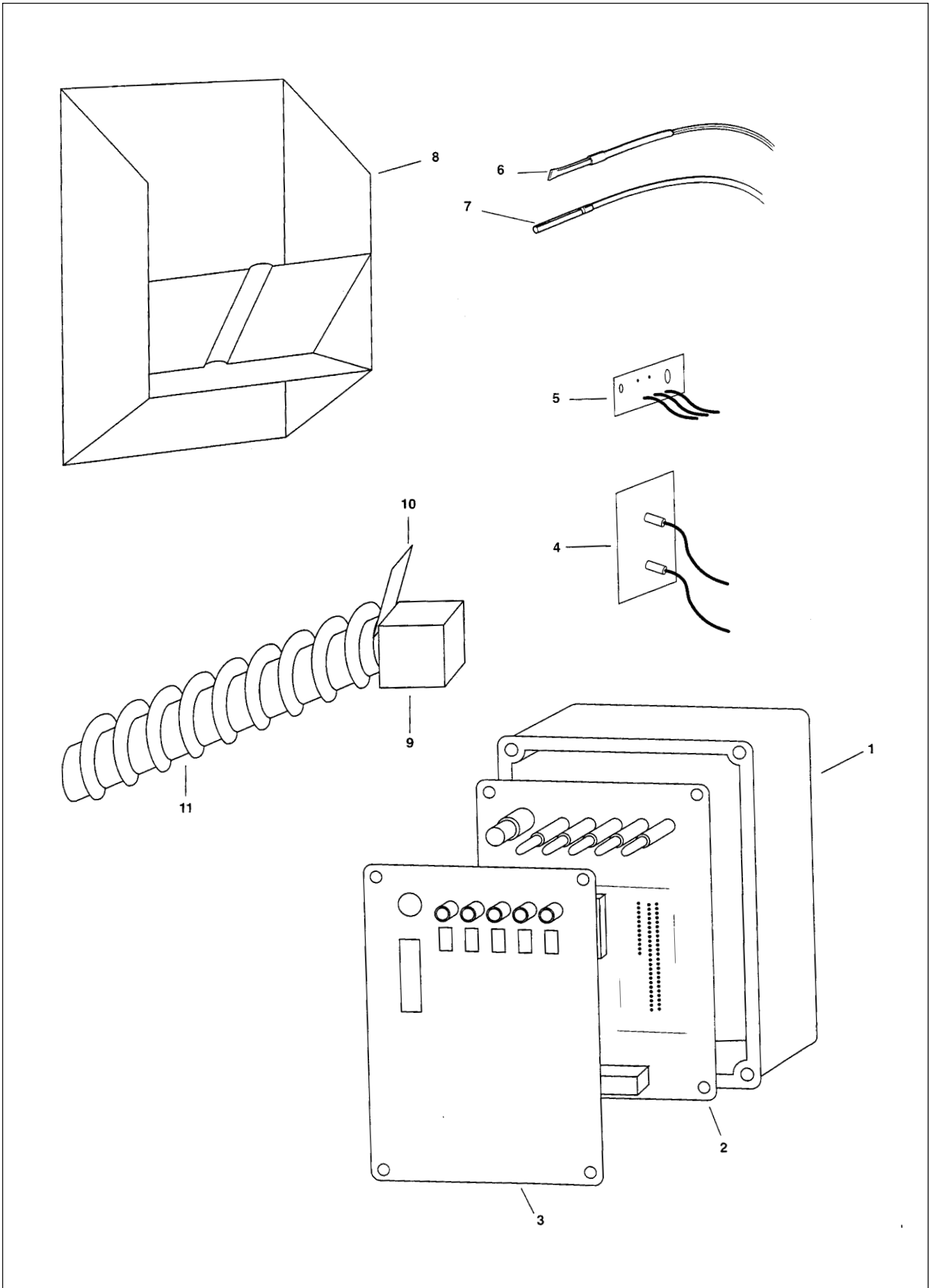
REFRIGERANT SYSTEM-WATER COOLED - SISTEMA REFRIGERANTE-RAFFR. AD ACQUA
CIRCUIT FRIGORIFIQUE-REFROID. A EAU - WASSERKREISLAUF-WASSERGEKÜHLT

ITEM NO POS NO REP. NO REF. NO	PART NO CODICE REFERENCE STUECK NR.	DESCRIPTION	DESCRIZIONE	DESIGNATION	BESCHREIBUNG
1	CM 19865518	WATER INLET VALVE	VALV. INGR. ACQUA	VANNE D'ARRIVÉE EAU	WASSERVENTIL
5	CM 25690806	DRAIN FITTING	RACCORDO DI SCARICO	RACCORD SORTIE EAU	MACHINEN ABFLUSS
7	CM 19560150 620058 77	PROTECTOR - R 22 PROTECTOR - R 134 A	PROTETTORE - R 22 PROTETTORE - R 134 A	PROTECTEUR - R 22 PROTECTEUR - R 134 A	SCHUTZVORRICHTUNG - R 22 SCHUTZVORRICHTUNG - R 134 A
9	CM 19165536 670101 00	COMPRESSOR - R 22 COMPRESSOR - R 134 A	COMPRESSORE - R 22 COMPRESSORE - R 134 A	COMPRESSEUR - R 22 COMPRESSEUR - R 134 A	COMPRESSOR - R 22 COMPRESSOR - R 134 A
10	CM 19863033	HOT GAS VALVE	VALVOLA GAS CALDO	VANNE GAZ CHAUDS	HEISSGASVENTIL
11	CM 81401537	ACCUMULATOR	ASS. SCAMBIATORE	ACCUMULATEUR	SAMMLER
12	CM 19621680 620057 42	RELAY - R 22 RELAY - R 134 A	RELÈ - R 22 RELÈ - R 134 A	RELAIS - R 22 RELAIS - R 134 A	RELAIS - R 22 RELAIS - R 134 A
13	CM 19180442 620167 01	START CAPACITOR - R 22 START CAPACITOR - R 134 A	CONDENSATORE DI SPUNTO - R 22 CONDENSATORE DI SPUNTO - R 134 A	CAPACITE DE DEMARRAGE - R 22 CAPACITE DE DEMARRAGE - R 134 A	STARTKONDENSATOR - R 22 STARTKONDENSATOR - R 134 A
14	CM 19180452	RUN CAPACITOR - R 22	CONDENSATORE DI MARCIA - R 22	CAPACITE DE MARCHE - R 22	BETRIEBSKONDENSATOR - R 22
15	CM 19550615 CM 19550620	PRESSURE CONTROL - R 22 PRESSURE CONTROL - R 134 A	PRESSOSTATO - R 22 PRESSOSTATO - R 134 A	PRESSOSTAT DE SECURITÉ - R 22 PRESSOSTAT DE SECURITÉ - R 134 A	PRESSOSTAT - R 22 PRESSOSTAT - R 134 A
16	CM 19865532	WATER DRAIN VALVE	ELETTROVALVOLA SCARICO ACQUA	ELECTRO VANNE EVAC. EAU	WASSERABFLUSSVENTIL
17	CM 18562501	FAN MOTOR ASSY	ELETTROVENTILATORE	MOTOVENTILATEUR	ELEKTRISCHER LÜFTERMOTOR
18	CM 81407542	CONDENSER	CONDENSATORE	CONDENSEUR	KONDENSATOR-WASSERGEKÜHLT
19	CM 25631013	WATER INLET FITTING	RACCORDO	RACCORD	VERBINDUNGSSTÜCK
20	CM 25791299	WATER HOSE	TUBO ACQUA	TUYAU	WASSERSCHLAUCH
22	CM 10106332	DRIER	FILTRO	FILTRE	FILTER
23	620111.00	WATER REGULATING VALVE	VALVOLA PRESSOSTATICA	VANNE PRESSOSTATIQUE	PRESSOSTATISCHES VENTIL
24	CM 25115005	BASE	BASAMENTO	CHASSIS	SOCKEL
25	CM 25631027	DRAIN FITTING	RACCORDO	RACCORD	VERBINDUNGSSTÜCK
26	CM 25250105	NUT	DADO	ECROU	MUTTER



WATER SYSTEM - CIRCUITO IDRAULICO - CIRCUIT HYDRAULIQUE - WASSERKREISLAUF

ITEM NO POS NO REP. NO REF. NO	PART NO CODICE REFERENCE STUECK NR.	DESCRIPTION	DESCRIZIONE	DESIGNATION	BESCHREIBUNG
1	CM 81401528	WATER INLET TUBE	TUBO ENTRATA ACQUA	ENSEMBLE ENTREE EAU EVAP.	WASSEREINLAUF
2	784297.09	EVAPORATOR	EVAPORATORE	EVAPORATEUR	VERDAMPFER
3	793129.01	SPRAY SYSTEM ASSY	SPRUZZATORE	VAPORISATEUR	SPRÜHPLATTE
4	CM 25135163	EVAPORATOR HOUSING	ALLOGGIAMENTO EVAPORATORE	LOGEMENT EVAPORATEUR	EISBEHÄLTER
5	CM 25161075	EVAPORATOR COVER	COPERCHIO EVAPORATORE	COUVERCLE EVAPORATEUR	VERDAMPFER-DECKEL
6	784250.02	CURTAIN	TENDINA	RIDEAU	JALOUSIE
8	620433.02	PUMP	POMPA	POMPE	PUMPE
9	CM 25135165	PUMP HOUSING	CONTENITORE POMPA	LOGEMENT POMPE	PUMPENBEHÄLTER
10	CM 81401555	PLASTIC HOSES ASSY	ASS. TUBI RICIRCOLO ACQUA	ENS. TUYAUX	WASSERSCHLÄCHE
11	CM 81401529	WATER DRAIN HOSE	ASS. TUBI SCARICO	TUYAU D'EVACUATION	WASSERABFLUSSSCHLÄUCHE
12	CM 23730503	DISCHARGE PLUG	TAPPO SCARICO	BOUCHON	ABFLUSSPROPFEN
13	CM 41020448	GASKET	GUARNIZIONE	JOINT TORIQUE	DICHTUNG
14	CM 19737104	LOCK	FERMO	SUPPORT	KLEMME STÜCK
15	CM 19797101	RIGHT SUPPORT	SUPPORTO DX	SUPPORT DROITE	TRÄGER-RECHTS
16	CM 19797102	LEFT SUPPORT	SUPPORTO SX	SUPPORT GAUCHE	TRÄGER-LINKS



PC BOARD, SENSOR ASSY AND DRIVE MECHANISM - SCHEDE ELETTRONICA, SENSORI E MOTORE DISTR.
 ENS. CARTE ELECTRONIQUE, DETECTEURS ET MOTEUR DISTR. - PLATINE, FÜHLEREINHEIT UND TREIBWERIT

ITEM NO POS NO REP. NO REF. NO	PART NO CODICE REFERENCE STUECK NR.	DESCRIPTION	DESCRIZIONE	DESIGNATION	BESCHREIBUNG
1	66054600	BOX	SCATOLA	BOITE	KASTEN
2	CM 33580064	ELECTRONIC CARD	SCHEDE ELETTRONICA	CARTE ELECTRONIQUE	PLATINE
3	66054700	COVER	COPERCHIO	COUVERCLE	OECKEL
4	CM 33580067 CM 33580091 + CM 33580092	OPTICAL SENSOR - UP TO S.N. 1207 OPTICAL SENSOR - FROM S.N. 1208	OTTICI EROGAZ. GHIACCIO - FINO A S.N. 1207 OTTICI EROGAZ. GHIACCIO - DA S.N. 1208	CAPTEUR OPTIQUE - JUSQU'A N.S. 1207 CAPTEUR OPTIQUE - A PARTIR DU N.S. 1208	OPTISCHER FÜHLER - BIS S.N. 1207 OPTISCHER FÜHLER - VOM S.N. 1208
5	CM 33580084	LED CARD	SCHEDE LED	PORTE LED	LED PLATINE
6	620404.06	BIN TEMP; SENSOR	SONDA TEMP. DEPOSITO	SONDE TEMP. BAC	EISNIVSAUFÜHLEREINHEIT
7	CM 33580066	EVAPORATOR TEMP. SENSOR	SONDA TEMP. EVAPORATORE	SONDE TEMP. EVAPORATEUR	VERDAMPFERTEMPERATUR FÜHLER
8	CM 81401557	ICE BIN	ASSIEME CONTENITORE	ENSEMBLE CUVE	BEHÄLTER
9	CM 81401520	DRIVE MOTOR	MOTORIDUTTORE	MOTOREDUCTEUR	MOTOR
10	CM 81401522	HINGE	ASSIEME CERNIERA	CHARNIERE	GELENK
11	CM 25131000	AUGER	COCLEA	VIS SANS FIN	SCHNECKE