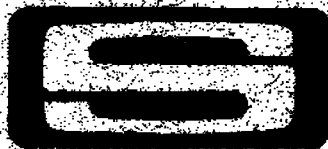
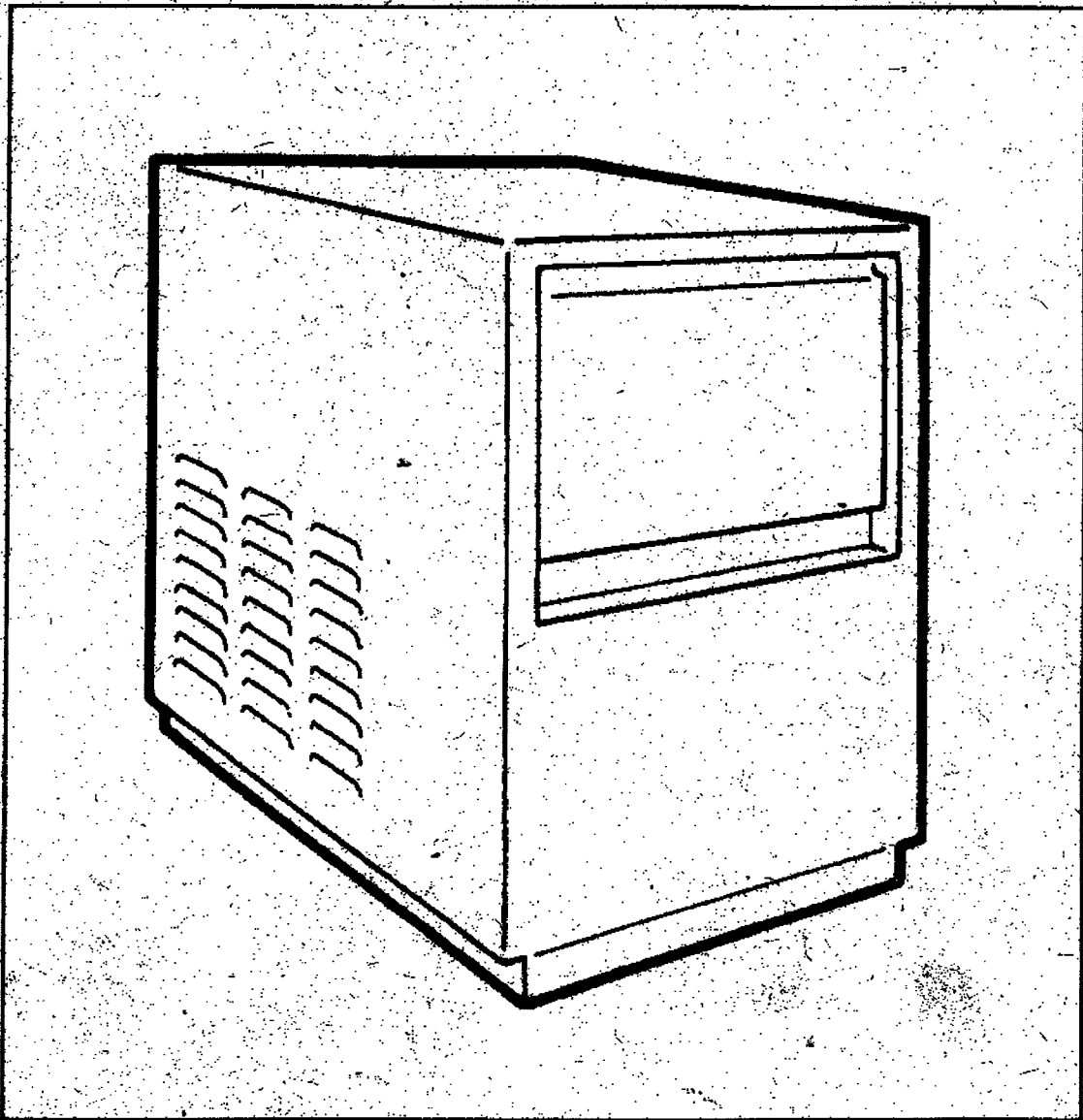


# ACM 35

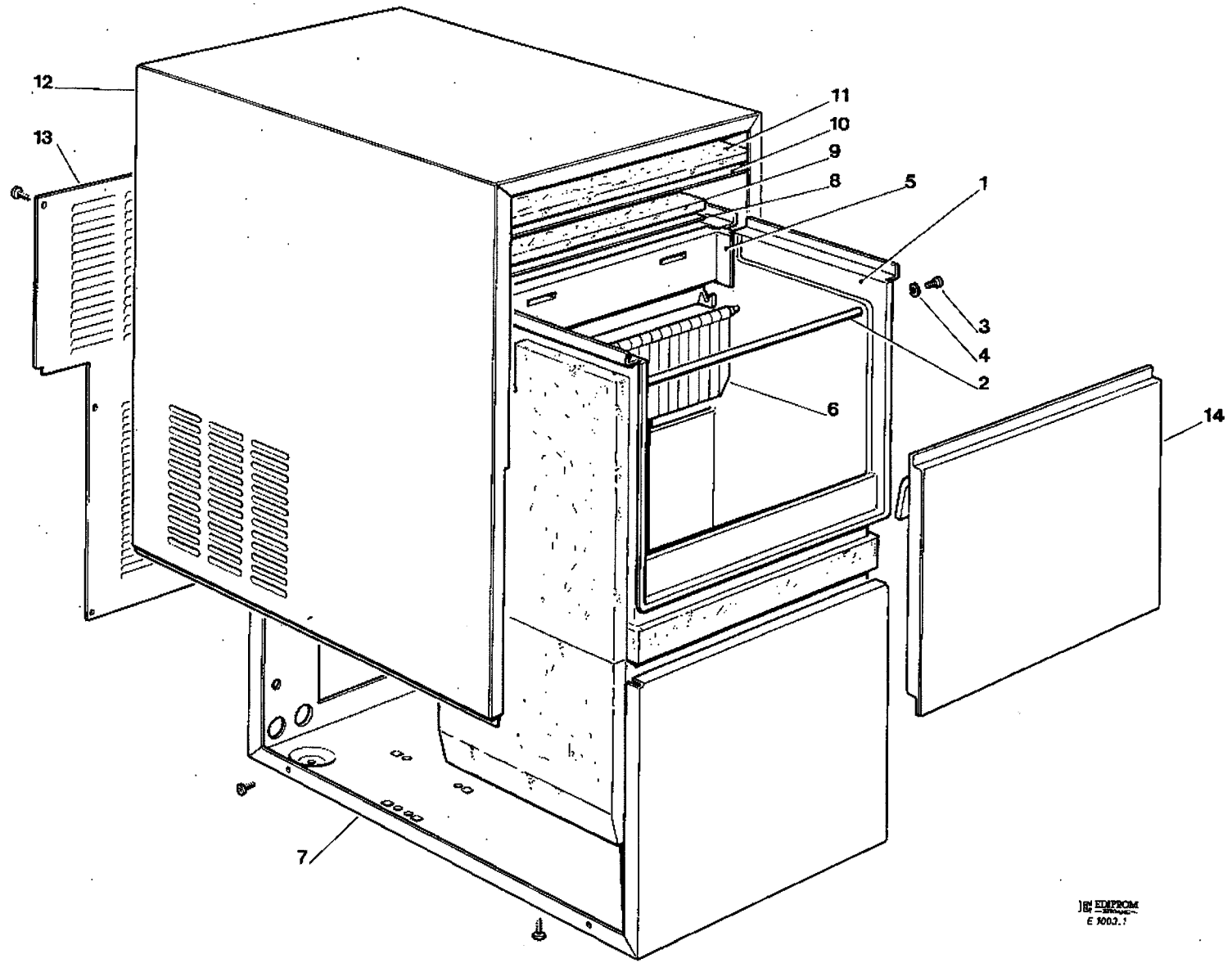
## Cuber with storage

Spare parts list  
Catalogo ricambi  
Catalogues pièces détachées  
Ersatzteilkatalog



**SCOTSMAN®**

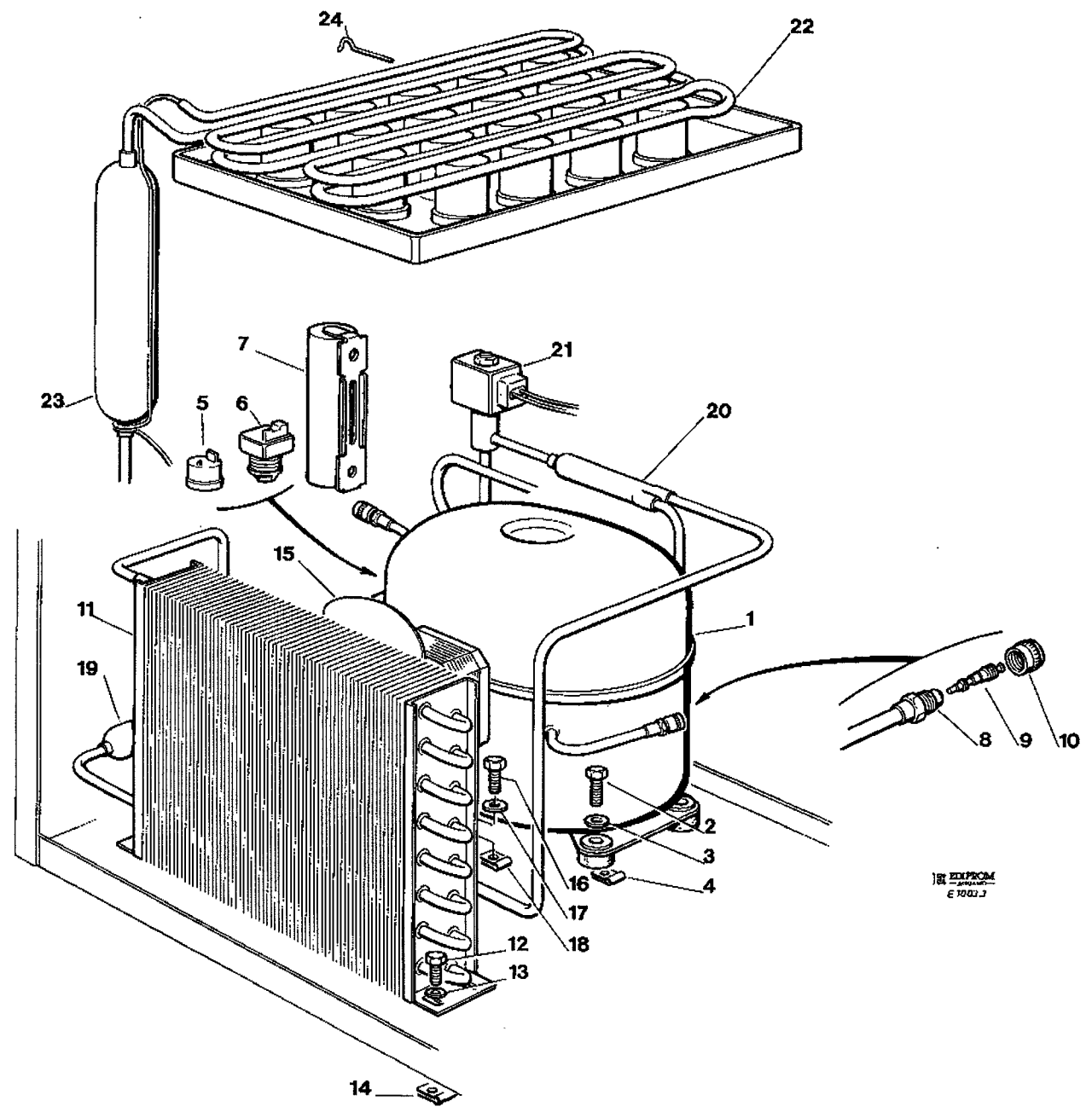
**ICE SYSTEMS**



18 EDIPROM  
E 9003.1

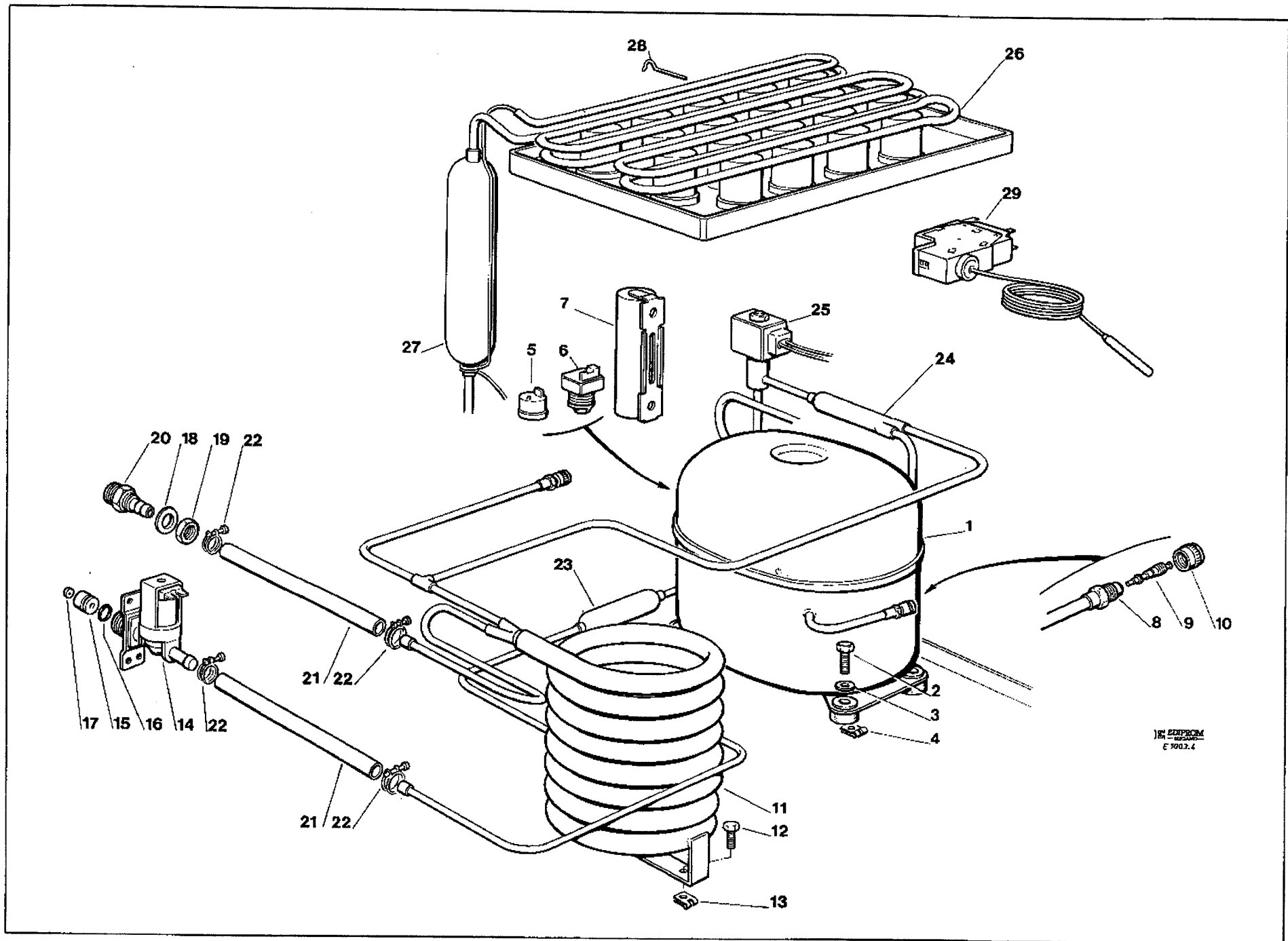
## ACM 35 - UNIT PANELS - ASSIEME MOBILE - ENS. CARROSSERIE - MACHINE GEHAUSE

ITEM NO POS NO REP. NO REF. NO	PART NO CODICE REFERENCE STUECK NR	DESCRIPTION	DESCRIZIONE	DESIGNATION	BESCHREIBUNG
1	782056 06	INSULATED STORAGE BIN	CELLA ISOLATA	CABINE STOCKAGE ISOLEE	ISOLIEREISSPEICHER
2	732010 02	BIN DOOR BRACKET	PERNO SUPPORTO SPORTELLO	SUPPORT PORTE CABINE	SPEICHERTÜR-STIFT
3	422074 00	SCREW	VITE	VIS	SCHRAUBE
4	440015 05	WASHER	RONDELLA	RONDELLE	SCHEIBE
5	660230 01	CURTAIN BRACKET	SUPPORTO TENDINA	SUPPORT RIDEAU	JALOUSIETRAEGER
6	784169 01	CURTAIN ASSY	ASS. TENDINA	ENSEMBLE RIDEAU	JALOUSIE
7	781299 03	UNIT BASE	ASS. BASAMENTO	ENSEMBLE CHASSIS	CHASSIS RAHMENGEHAUSE
8	742033 00	EVAPORATOR COVER	COPERCHIO EVAPORATORE	COUVERCLE EVAPORATEUR	VERDAMPFERDECKEL
9	650361 02	INSULATION	ISOLAMENTO	ISOLATION	ISOLIERUNG
10	741049 03	PLASTIC COVER	COPERCHIO IN PLASTICA	COUVERCLE EN PLASTIQUE	PLASTIK DECKEL
11	650236 01	INSULATION	ISOLAMENTO	INSULATION	ISOLIERUNG
12	701765 00	TOP PANEL	PANNELLO SUPERIORE	PANNEAU SUPERIEUR	ABDECKHAUBE
13	701762 00	REAR PANEL	PANNELLO POSTERIORE	PANNEAU ARRIERE	RUECKWAND
14	782055 00	BIN DOOR	SPORTELLO	ENSAMBLE PORTE CABINE	SPEICHERTUER



**ACM 35 - REFRIGERANT SYSTEM AIR COOLED - SISTEMA REFRIGERANTE RAFFR. AD ARIA**  
**CIRCUIT FRIGORIFIQUE REFROID. PAR AIR - LUFTGEKÜHLT GEFRIERSYSTEM**

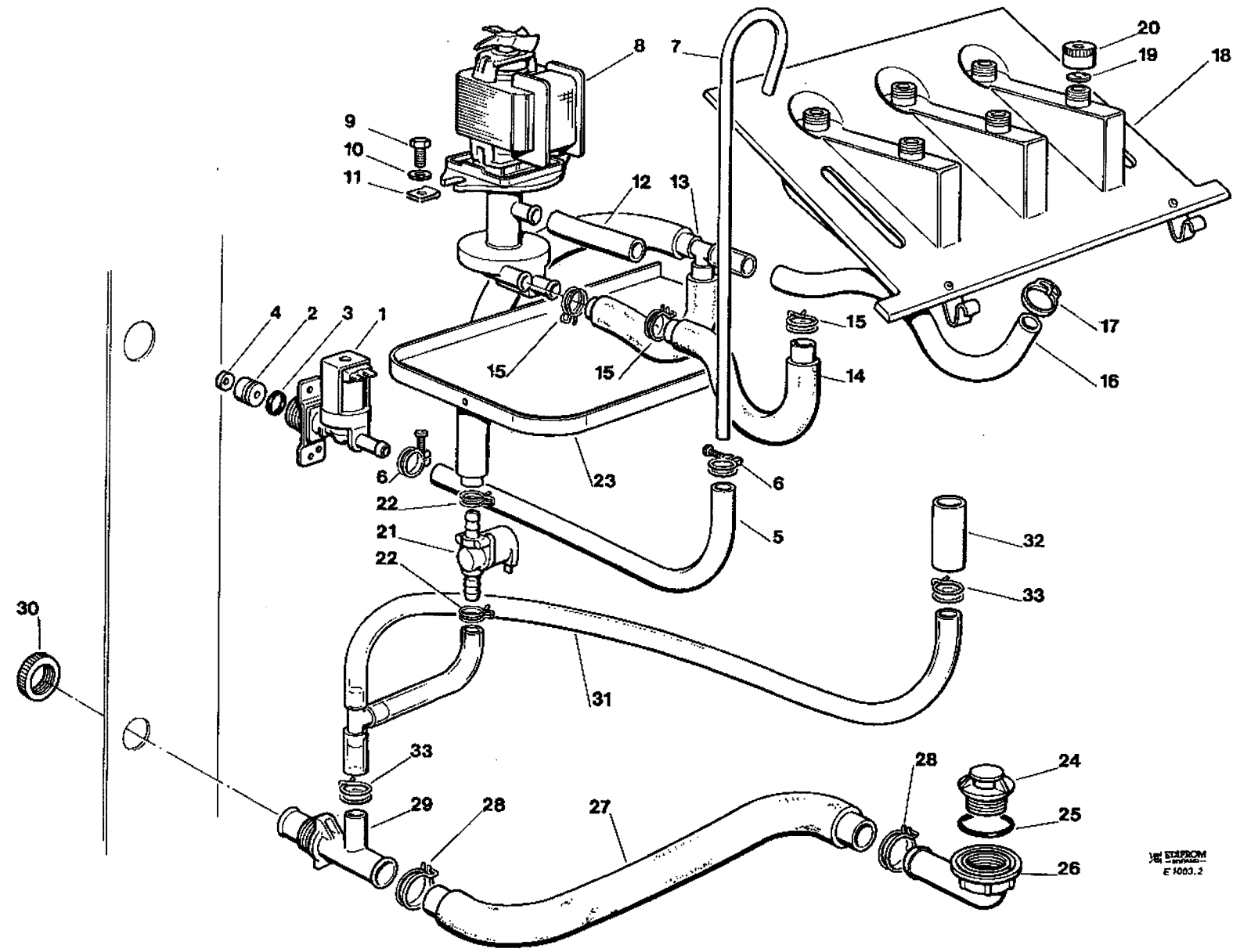
ITEM NO POS NO REP. NO REF. NO	PART NO CODICE REFERENCE STUECK NR	DESCRIPTION	DESCRIZIONE	DESIGNATION	BESCHREIBUNG
1	670097 01	COMPRESSOR ASSY	ASS. COMPRESSORE	ENS. COMPRESSEUR	KOMPRESSOR
2	420018 00	SCREW	VITE	VIS	SCHRAUBE
3	440084 00	WASHER	RONDELLA	RONDELLE	SCHEIBE
4	650029 03	METAL CLIP	DADO IN GABBIA	ECROU	MUTTER
5	620058 54	PROTECTOR	PROTETTORE	PROTECTEUR	SCHUTZGERÄT
6	620057 32	RELAY	RELE	RELAIS	RELAIS
7	620167 23	START CAPACITOR	CAPACITA' D'AVVIAMENTO	CAPACITÉ DE DEMARRAGE	START KONDENSATOR
8	650109 00	VALVE BODY	CORPO VALVOLA	CORPS DE VANNE	VENTILGEHÄUSE
9	670012 00	VALVE PISTON	PISTONCINO VALVOLA	PISTON	VENTILKOLBEN
10	650106 00	VALVE CAP	CAPPUCCIO VALVOLA	CAPUCHON DE VANNE	VENTILKLAPPE
11	620276 02	AIR COOLED CONDENSER	CONDENSATORE AD ARIA	CONDENSEUR A AIR	LUFT KONDENSATOR
12	420000 23	SCREW	VITE	VIS	SCHRAUBE
13	440084 00	WASHER	RONDELLA	RONDELLE	SCHEIBE
14	650029 03	METAL CLIP	MADREVITE	ECROU	MUTTER
15	620003 13 620007 05	FAN MOTOR FAN BLADE	MOTORE VENTILATORE VENTOLA	MOTEUR DU VENTILATEUR HELICE	LUFTER MOTOR FLUEGEL
16	420000 22	SCREW	VITE	VIS	SCHRAUBE
17	440084 00	WASHER	RONDELLA	RONDELLE	SCHEIBE
18	650029 03	METAL CLIP	MADREVITE	ECROU	MUTTER
19	630003 04	DRIER	FILTRO DEUMIDIFICATORE	FILTRE DESHYDRATEUR	TROCKNER
20	630007 01	MECHANICAL FILTER	FILTRO MECCANICO	FILTRE MECANIQUE	MECHANISCHERFILTER
21	620306 13 620306 28	HOT GAS VALVE ASSY HOT GAS VALVE COIL	ASSIEME VALVOLA GAS CALDO BOBINA VALVOLA GAS CALDO	ENSAMBLE VANNE GAZ CHAUD BOBINE VANNE GAZ CHAUD	HEISSGAS VENTIL HEISSGAS VENTIL SPULE
22	784195 02	EVAPORATOR ASSY	ASSIEME EVAPORATORE	ENSAMBLE EVAPORATEUR	VERDAMPFER
23	784252 00	SUCTION LINE/ACCUMULATOR	ACCUMUL. E LINEA ASPIRAZIONE	ENS. ASPIRATION/ACCUMULATEUR	SAMMLER UND SAUGLEITUNGEN
24	650475 02	METAL CLIP	MOLLETTA METALLICA	CLIP METALLIQUE	METALLISCHER KLEMMER



18 EDIPROM  
 C 7003.4

**ACM 35 - REFRIGERATION SYSTEM WATER COOLED - SISTEMA REFRIGERANTE RAFFR. AD ACQUA**  
**CIRCUIT FRIGORIFIQUE REFRROID. PAR EAU - WASSERGEKÜHLT GEFRIERSYSTEM**

ITEM NO POS NO REP. NO REF. NO	PART NO CODICE REFERENCE STUECK NR	DESCRIPTION	DESCRIZIONE	DESIGNATION	BESCHREIBUNG
1	670097 01	COMPRESSOR ASSY	ASSIEME COMPRESSORE	ENSAMBLE COMPRESSEUR	KOMPRESSOR
2	420018 00	SCREW	VITE	VIS	SCHRAUBE
3	440084 00	WASHER	RONDELLA	RONDELLE	SCHEIBE
4	650029 03	METAL CLIP	DADO IN GABBIA	ECROU	MUTTER
5	620058 54	PROTECTOR	PROTETTORE	PROTECTEUR	SCHUTZGERÄT
6	620057 32	RELAY	RELE	RELAIS	RELAIS
7	620167 23	START CAPACITOR	CONDENSATORE D'AVVIAMENTO	CAPACITE DE DEMARRAGE	START KONDENSATOR
8	650109 00	VALVE BODY	CORPO VALVOLA	CORPS DE VANNE	VENTILGEHÄUSE
9	670012 00	VALVE PISTON	PISTONCINO VALVOLA	PISTON	VENTILKOLBEN
10	650106 00	VALVE CAP	CAPPUCCIO VALVOLA	CAPUCHON DE VANNE	VENTILKLAPPE
11	620389 00	WATER COOLED CONDENSER	CONDENSATORE AD ACQUA	CONDENSEUR A EAU	WASSER KONDENSATOR
12	420000 22	SCREW	VITE	VIS	SCHRAUBE
13	650029 03	METAL CLIP	MADREVITE	ECROU	MUTTER
14	650105 00	WATER INLET VALVE	VALVOLA INGRESSO ACQUA	VANNE ARRIVEE EAU	WASSEREINLAUFVENTIL
15	733185 00	FLOW CONTROL BODY	CORPO CONTROLLO DI FLUSSO	CORPS CONTROLE DE DEBIT	DURCHFLUSSREGLER GEHÄUSE
16	640110 00	O RING	GUARNIZIONE O R	JOINT TORIQUE	SIMMER RING
17	640022 03	FLOW CONTROL	CONTROLLO DI FLUSSO	CONTROLE DE DEBIT	DURCHFLUSSREGLER
18	400031 00	FIBER WASHER	RONDELLA IN FIBRA	RONDELLE EN FIBRE	FIBER SCHEIBE
19	400030 01	NUT	DADO	ECROU	MUTTER
20	660291 00	3/4 GAS WATER DRAIN FITTING	SCARICO ACQUA DA 3/4 GAS	RACCORD EVACUATION 3/4 GAS	3/4 GAS SCHLAUCH
21	281900 01	PLASTIC TUBE-PER METER	TUBO IN PLASTICA-PER METRO	TUYAU EN PLASTIQUE-POUR METER	PLASTIK ROHR-PRO METER
22	480017 00	CLAMP	FASCETTA	COLLIER	SCHELLE
23	630003 04	DRIER	FILTRO DEUMIDIFICATORE	FILTRE DESHYDRATEUR	TROCKNER
24	630007 01	MECHANICAL FILTER	FILTRO MECCANICO	FILTRE MECANIQUE	MECHANISCHERFILTER
25	620306 13 620306 28	HOT GAS VALVE ASSY HOT GAS VALVE COIL	ASSIEME VALVOLA GAS CALDO BOBINA VALVOLA GAS CALDO	ENSAMBLE VANNE GAZ CHAUD BOBINE VANNE GAZ CHAUD	HEISSGAS VENTIL HEISSGAS VENTIL SPULE
26	784195 02	EVAPORATOR ASSY	ASSIEME EVAPORATORE	ENSAMBLE EVAPORATEUR	VERDAMPFER
27	784252 00	SUCTION LINE/ACCUMULATOR	ACCUMUL. E LINEA ASPIRAZIONE	ENS. ASPIRATION/ACCUMULATEUR	SAMMLER UND SAUGLEITUNGEN
28	650475 02	METAL CLIP	MOLLETTA IN METALLO	CLIP METALLIQUE	METALLISCHER KLEMMER
29	620075 02	PRESSURE CONTROL	PRESSOSTATO	PRESSOSTAT	PRESSOSTAT

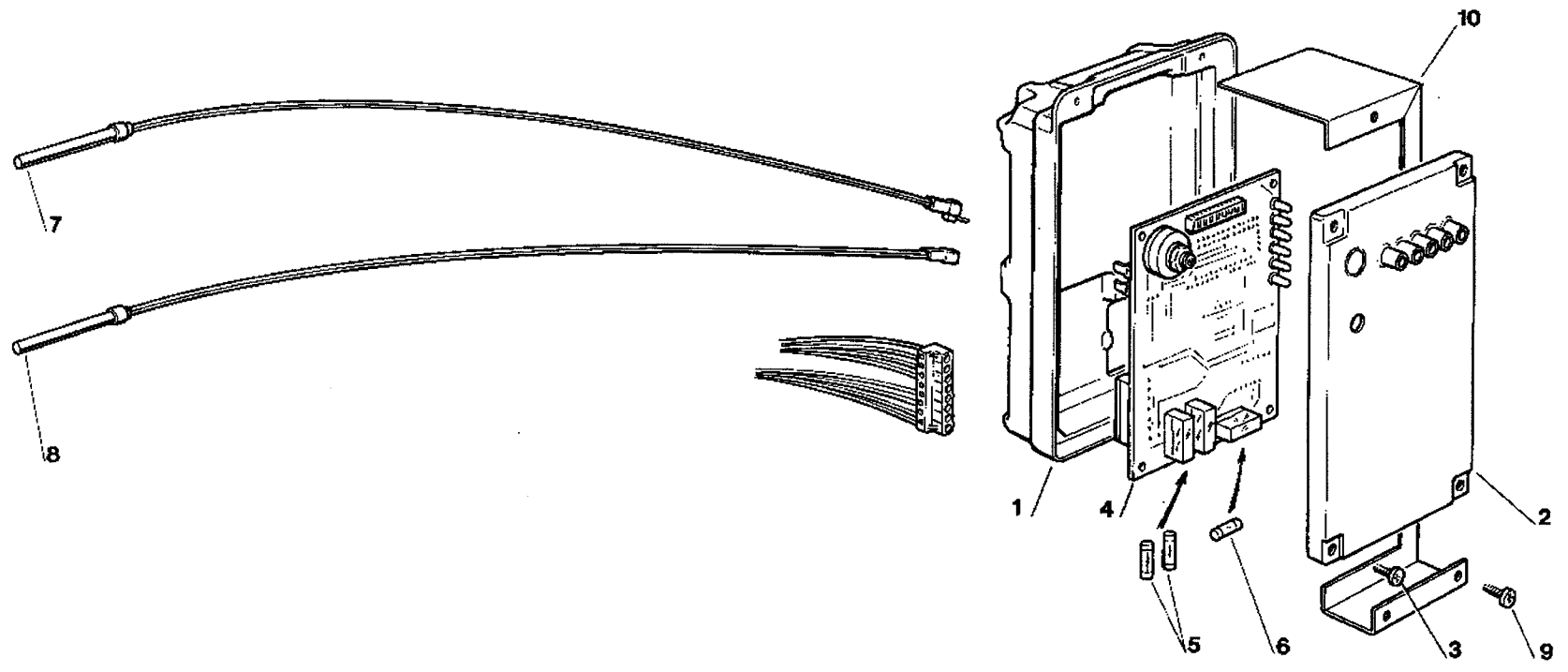


SEIPROM  
E 1000.2



# ACM 35 - WATER SYSTEM - CIRCUITO IDRAULICO - CIRCUIT HYDRAULIQUE - WASSER SYSTEM

ITEM NO POS NO REP. NO REF. NO	PART NO CODICE REFERENCE STUECK NR	DESCRIPTION	DESCRIZIONE	DESIGNATION	BESCHREIBUNG
1	650105 00	WATER INLET VALVE	VALVOLA INGRESSO ACQUA	VANNE ARRIVEE EAU	WASSEREINLAUFVENTIL
2	733185 00	FLOW CONTROL BODY	CORPO CONTROLLO DI FLUSSO	CORPS CONTROLE DE DEBIT	DURCHFLOSSREGLER GEHAUSE
3	640110 00	O RING	GUARNIZIONE O R	JOINT TORIQUE	SIMMER RING
4	640022 01	FLOW CONTROL	CONTROLLO DI FLUSSO	CONTROLE DE DEBIT	DURCHFLOSSREGLER
5	281900 01	WATER INLET TUBE-PER METER	TUBO INGRESSO ACQUA-PER METRO	TUYAU ARRIVEE EAU-POUR METRE	WASSEREINLAUFROHR-PRO METER
6	460017 00	CLAMP	FASCETTA	COLLIER	SHELLE
7	733164 02	WATER INLET COPPER PIPE	TUBO DI RAME INGRESSO ACQUA	TUYAU ENTREE EAU CUIVRE	WASSEREINLAUFROHR - CUPPER
8	670036 06	WATER PUMP ASSY	ASSIEME POMPA	ENSAMBLE POMPE A EAU	WASSER PUMPE
9	420010 00	SCREW	VITE	VIS	SCHRAUBE
10	440050 02	WASHER	RONDELLA	RONDELLE	SCHEIBE
11	650029 03	NUT	DADO	ECROU	MUTTER
12	281830 04	TUBE - PUMP/OVERFLOW - PER MTR	TUBO - POMPA/TROPPO PIENO - PER MTR	TUYAU - POMPE/TROP PLEIN - POUR MTR	ROHR - PRO METER
13	610174 00	WATER TUBE - PUMP/HOSE BARB	TUBO - MANDATA	TUYAU - REFOULEMENT	ROHR (PUMPE-SPRÜHSYSTEM)
14	610163 00	WATER TUBE - SUCTION	TUBO - ASPIRAZIONE	TUYAU - ASPIRATION	SAUGROHR
15	460025 00	CLAMP	FASCETTA	COLLIER	SHELLE
16	610165 00	WATER TUBE - HOSE BARB/SPRAY SYSTEM	TUBO - RACCORDO/SPRUZZATORE	TUYAU - RACCORD/PLATEFORM	ROHR
17	650499 01	PLASTIC CLAMP	FASCETTA IN PLASTICA	COLLIER EN PLASTIQUE	PLASTIKFESTKLEMMEN
18	793089 01	SPRAY PLATEN ASSY	ASSIEME SPRUZZATORE	ENS. PLAQUE PULVERISATION EAU	SPRUHSYSTEM EINHEIT
19	660296 02	SPINNER JET	RONDELLA SPRUZZANTE	BUSE DE GICLEUR	SPRÜHSCHLEIBE
20	660155 03	JET CUP	CAPPUCCIO SPRUZZATORE	CAPUCHON DE GICLEUR	SPRÜHKOPF
21	620406 00	WATER DRAIN VALVE	VALVOLA SCARICO ACQUA	VANNE DE VIDANGE D'EAU	WASSERABFLUSSVENTIL
22	460001 03	CLAMP	FASCETTA	COLLIER	SHELLE
23	660277 00	DRIP TRAY	RACCOGLI GOCCIE	BAC RECUPERATION EAU	TROPFFANNE
24	660211 01	DRAIN FILTER	FILTRO SCRICO ACQUA	FILTRE EVACUATION EAU	ABFLUSSFILTER
25	640134 00	O RING	GUARNIZIONE O R	JOINT TORIQUE	SIMMER RING
26	660213 01	DRAIN FITTING	RACCORDO DI SCARICO	RACCORD EVACUATION	ABFLUSSROHR
27	281830 00	DRAIN TUBE - PER MTR	TUBO SCARICO - PER MTR	TUYAU EVACUATION - POUR METRE	ABFLUSSROHR - PRO METER
28	460036 00	CLAMP	FASCETTA	COLLIER	SHELLE
29	660224 00	DRAIN T FITTING	RACCORDO DI SCARICO	RACCORD T D'EVACUATION	T STUECK
30	660535 00	PLASTIC RING NUT	GHIRA IN PLASTICA	COLLIER DE SERRAGE EN PLASTIQUE	PLASTIKRING MUTTER
31	610174 01	OVERFLOW DRAIN TUBE ASSY	ASS. TUBO SCARICO TROPPO PIENO	ENS. TUYAU EVACUATION TROP PLEIN	UEBERLAUFABFLUSSROHR
32	281720 03	OVERFLOW STAND PIPE	TUBO TROPPO PIENO	TROP PLEIN	UEBERLAUFROHR
33	460030 00	CLAMP	FASCETTA	COLLIER	SHELLE



EDIPROM  
E 1002.5

**ACM 35 - P.C. BOARD AND SENSOR ASSY - SCHEDA ELETTRONICA E SENSORI - ENS. CARTE ELECTRIQUE ET DETECTEURS  
ELEKTRONISCHE KARTE UND TEMPERATURFUEHLERENHEIT**

ITEM NO POS NO REP. NO REF. NO	PART NO CODICE REFERENCE STUECK NR	DESCRIPTION	DESCRIZIONE	DESIGNATION	BESCHREIBUNG
1	660546 00	PLASTIC CONTROL BOX	SCATOLA ELETTRICA	BOITE ELECTRIQUE	SCHALTSCHRANK
2	660547 00	CONTROL BOX COVER	COPERCHIO SCATOLA ELETTRICA	COUVERCLE BOITE DE COMMANDE	SCHALTSCHRANK DECKEL
3	470100 00	SCREW	VITE	VIS	SCHRAUBE
4	620403 05	P. C. BOARD ASSY	ASSIEME SCHEDA ELETTRONICA	ENSAMBLE CARTE ELECTRONIQUE	GEDRUCKTE SCHALTUNG
5	630015 10	FUSE	FUSIBILE	FUSIBLE	SCHMELZSICHERUNG
6	630015 11	FUSE	FUSIBILE	FUSIBLE	SCHMELZSICHERUNG
7	620404 10	EVAPORATOR TEMP. SENSOR	SENSORE TEMP. EVAPORATORE	CAPTEUR TEMP. EVAPORATEUR	VERDAMPFERTEMPERATURFUEHLER
8	620404 06	ICE LEVEL CONTROL SENSOR	SENSORE CONTR. LIVELLO GHIACCIO	DETECTEUR NIVEAU GLACE	EISNIVEAUFUEHLEREINHEIT
9	470079 00	SCREW	VITE	VIS	SCHRAUBE
10	705188 00	METAL BRACKET	SUPPORTO IN METALLO	SUPPORT METALLIQUE	METALLISHER STIFT

COMPRESSOR CHART - TABELLA COMPRESSORI - TABLEAU COMPRESSEUR - KOMPRESSOR KARTE

MODEL MODELLO MODELE MODELL	VOLTS TENSIONE TENSION SPANNUNG	COMPRESSOR MODEL MOD. COMPRESSORE TYPE COMPRESSEUR KOMPRESSOR TYP	COMPRESSOR COMPRESSORE COMPRESSEUR KOMPRESSOR	RELAY RELE RELAIS RELAIS	PROTECTOR PROTETTORE PROTECTEUR SCHUTZGERAT	START CAPACITOR CAPACITA' D'AVV. CAPACITE DE DEMARRAGE START KONDENSATOR
ACM 35	115/60/1					
ACM 35	230/60/1	U.H. L 45TN	67009706	620057.33	620058.6P	620167.23
ACM 35	220/50/1	U.H. L 45 TN	670097 01	620057 32	620058 54	620167 23

ELECTRIC COMPONENTS CHART - TABELLA COMPONENTI ELETTRICI - TABLEAU COMPOSANTS ELECTRIQUE - ELEKTRISCHEKARTE

MODEL MODELLO MODELE MODELL	VOLTS TENSIONE TENSION SPANNUNG	WATER PUMP POMPA POMPE A EAU WASSER PUMPE	FAN MOTOR ONLY MOTORE VENTILATORE MOTEUR VENTILATEUR LUFTER MOTOR	WATER INLET VALVE VALV. INGR. ACQUA V.E.M. ARRIVÉE EAU WASSEREIN.VENTIL	WATER DRAIN VALVE VALV. SCARICO ACQUA V.E.M. EVACUATION EAU WASSERABFL.VENTIL	HOT GAS VALVE COIL BOBINA VALVOLA GAS CALDO BOBINE V.E.M. GAZ CHAUDS HEISSGAZ VENTIL SPULE	P.C. BOARD SCHEDA ELETTRONICA CARTE ELECTRONIQUE ELEKTRONISCHE KARTE
ACM 35	115/60/1						
ACM 35	230/60/1						
ACM 35	220/50/1	670036 06	620003 13	650105 00	620406 00	620306 28	620403 05