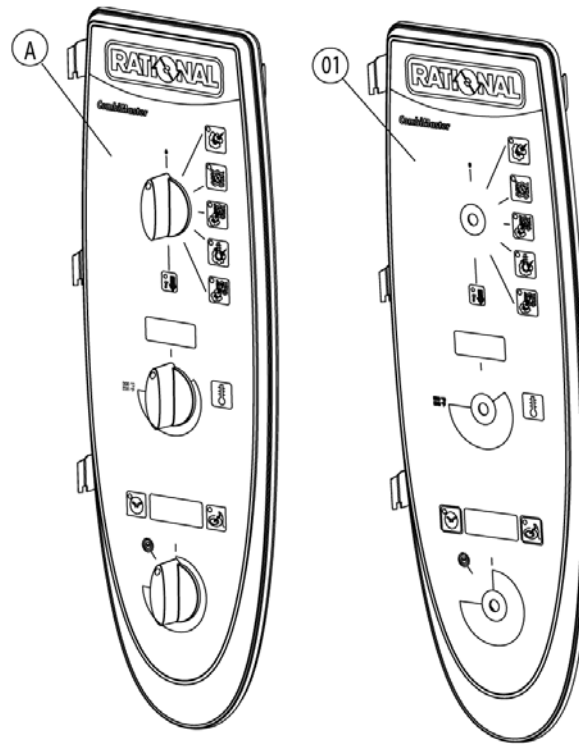
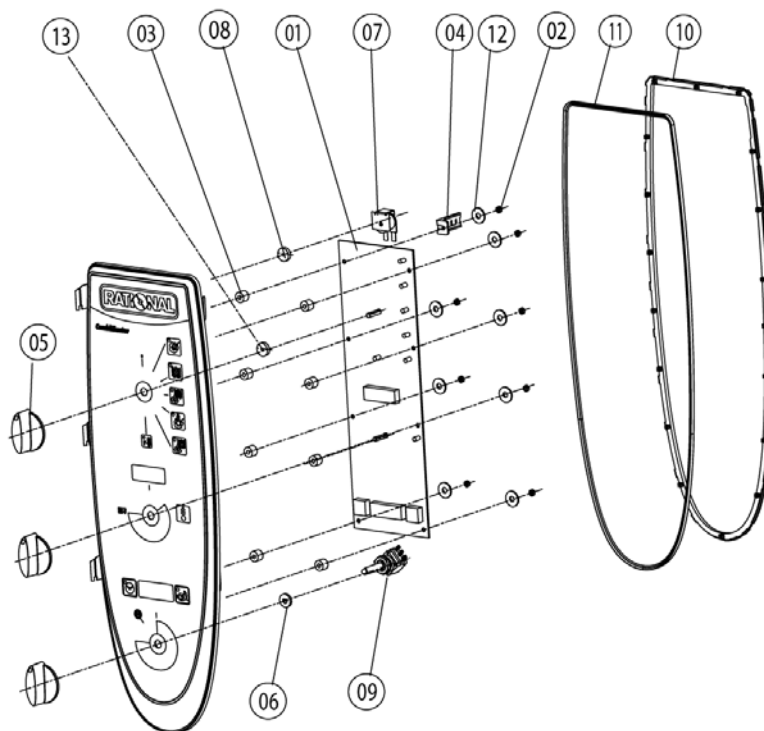


| Item no. | Part no | Reference | Description |
|----------|---------|-----------|-----------------------------|
| 1 | | ►1 | Control panel |
| 2 | | ►2 | Electrical installation |
| 3 | | ►3 | Clima Plus |
| 4 | | ►4 | Steam generator, Bypass |
| 5 | | ►5 | Hot air heating |
| 6 | | ►6 | Motor and fan wheel |
| 7 | | ►7 | Interior cabinet |
| 8 | | ►8 | Door |
| 9 | | ►9 | Water supply, quenching box |
| 13 | | ►13 | Exterior cabinet |
| 14 | | ►14 | Miscellaneous |
| 15 | | ►15 | Voltage depending parts |

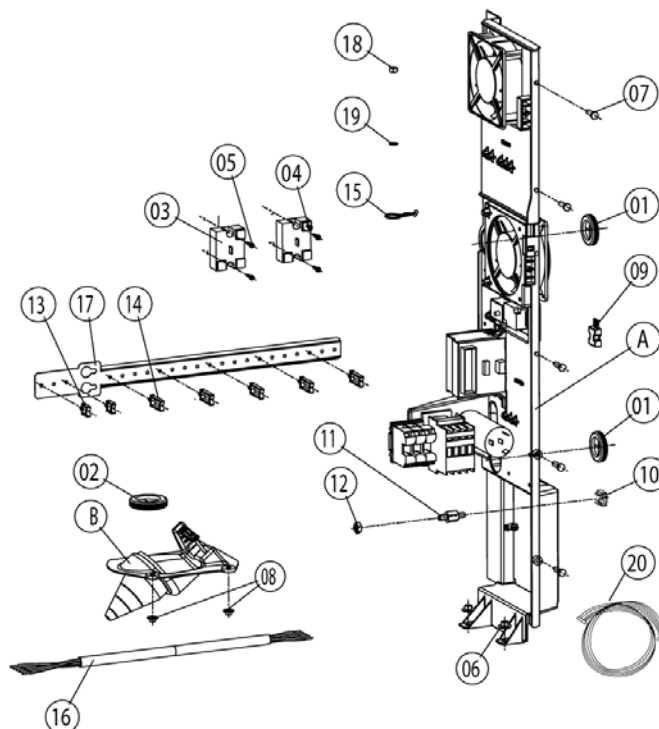
| | | |
|------|--|----|
| 1 | Control panel | 3 |
| 1.A | Control panel..... | 4 |
| 2 | Electrical installation | 5 |
| 2.A | - EM CM 102/E 3NAC400V50/60 01/04..... | 6 |
| 2.B | Cable entry..... | 7 |
| 3 | Clima Plus..... | 8 |
| 4 | Steam generator, Bypass | 9 |
| 4.A | Pump connection | 10 |
| 5 | Hot air heating | 11 |
| 6 | Motor and fan wheel | 12 |
| 7 | Interior cabinet | 13 |
| 7.A | Gasket frame w. glass a. gaskets | 14 |
| 7.B | Air baffle..... | 15 |
| 8 | Door | 16 |
| 8.A | Door | 17 |
| 9 | Water supply, quenching box..... | 18 |
| 13 | Exterior cabinet..... | 19 |
| 13.A | - P-Außenkasten CD 102/E 01/04..... | 20 |
| 14 | Miscellaneous | 22 |
| 15 | Voltage depending parts..... | 23 |



| Item no. | Part no | Reference | Description |
|----------|-----------|-----------|-----------------------------------|
| A | 16.00.324 | ▶1.A | Control panel |
| 1 | 87.00.001 | | Control panel insert with overlay |



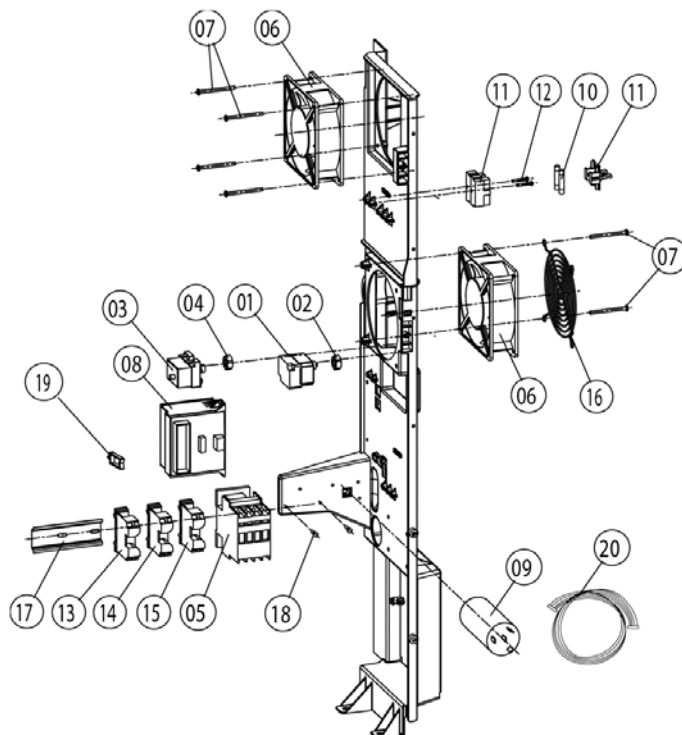
| Item no. | Part no | Reference | Description |
|----------|-----------|-----------|---|
| 1 | 42.00.004 | | Control pcb |
| 2 | 1104.0121 | | Hex nut M4 self locking |
| 3 | 10.00.355 | | Spacer black |
| 4 | 2020.0400 | | Fixing device for cable harness |
| 5 | 16.00.282 | | Dial |
| 6 | 5110.1027 | | Distance plate for front panel |
| 7 | 3006.0107 | | Buzzer |
| 8 | 5110.1028 | | Gasket poti hot air, core temperature |
| 9 | 40.00.464 | | Potentiometer CT |
| 10 | 16.00.385 | | Mounting device f. sealing lip panel insert |
| 11 | 16.00.386 | | Sealing lip f. panel insert |
| 12 | 1306.0218 | | Washer A4,3 |
| 13 | 5110.1029 | | Gasket mode switch |



| Item no. | Part no | Reference | Description |
|----------|------------|-----------|---|
| A | _40.00.488 | ►2.A | - EM CM 102/E 3NAC400V50/60 01/04 |
| B | 40.00.609 | ►2.B | Cable entry |
| 1 | 4007.0620 | | Membrane DGC 29 |
| 2 | 4007.0621 | | Membrane DGC 36 |
| 3 | 40.00.453 | | Solid state relays |
| 4 | 10.00.507 | | - Zylinderschraube 8-32NC,5/16"T20 k=10mm |
| 5 | 10.00.444 | | Raised countersunk head screw Torx M4x8 |
| 6 | 1106.0803 | | Hex combination nut M6 galv |
| 7 | 10.00.239 | | EJOT PT-Screw Torx 4x10 |
| 8 | 1105.0121 | | Hex combination nut M5 galv |
| 9 | 42.00.007 | | External memory |
| 10 | 1104.0801 | | Cage nut M4 |
| 11 | 10.00.243 | | Spacer M4x8 |
| 12 | 1104.0120 | | Hex nut M4 |
| 13 | 10.00.112 | | Cable clip short |
| 14 | 10.00.111 | | Cable clip long |
| 15 | 10.00.471 | | Cable clip d10-12mm |
| 16 | 40.00.593 | | Power supply cable 5x10mm ² |
| 17 | 40.01.285 | | Fixing device f. cable guide |
| 18 | 1106.0160 | | Hex nut M6 |
| 19 | 1206.0120 | | Tooth lock washer A6,4 |
| 20 | 40.00.472 | | Bus cable 1.3m |
| -- | 42.00.030 | | - Memory-Stick CM 01/04 |

Attention! Individual parts shown might not be used in this component group!

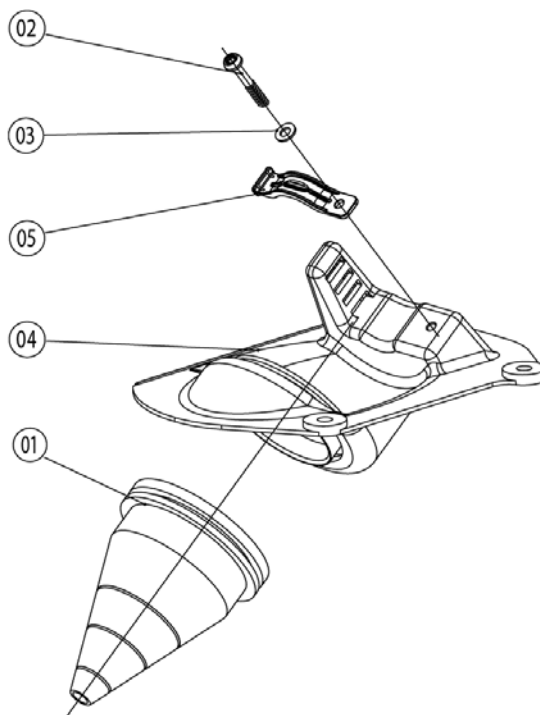
► 15* Voltage depending parts shown in chapter 15



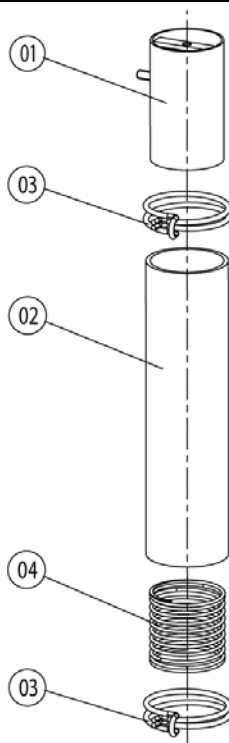
| Item no. | Part no | Reference | Description |
|----------|-----------|-----------|---|
| 1 | 40.01.329 | | Dry up protector 160° |
| 2 | 3014.0302 | | Hex nut M10 for dry-up protector |
| 3 | 40.00.605 | | Safety temperature limiter 365°C |
| 4 | 3014.0327 | | Hex nut M10x1,0 |
| 5 | 40.01.556 | | Contactor CL04A310M6-M |
| 6 | 3101.1008 | | Cooling fan |
| 7 | 10.00.238 | | Screw Torx 4x50 |
| 8 | 40.00.278 | | Halogen transformer |
| 9 | 40.00.465 | | Electronic noise filter |
| 10 | 4001.0224 | | Fuse 6.35x32mm |
| 11 | 4001.1295 | | Fuse holder e 1003Si/1DS |
| 12 | 10.00.240 | | Screw Torx 3x20 |
| 13 | 4001.1233 | | Terminal block yellow/green 35mm ² |
| 14 | 4001.1252 | | Terminal block, blue 35 mm ² |
| 15 | 4001.1206 | | Terminal block 35mm ² grey |
| 16 | 2005.0106 | | Protective grid for cooling fan |
| 17 | 40.00.518 | | Installation rail for Contactor 95mm |
| 18 | 10.00.239 | | EJOT PT-Screw Torx 4x10 |
| 19 | 10.00.111 | | Cable clip long |
| 20 | 40.00.212 | | Cable buzzer |
| 20 | 40.00.217 | | Cable control harness |
| 20 | 40.00.228 | | Cable control SSR |
| 20 | 40.00.205 | | Cable level electrode |
| 20 | 40.00.219 | | Cable SC pump |
| 20 | 40.00.236 | | Cable solenoid valve |

Attention! Individual parts shown might not be used in this component group!

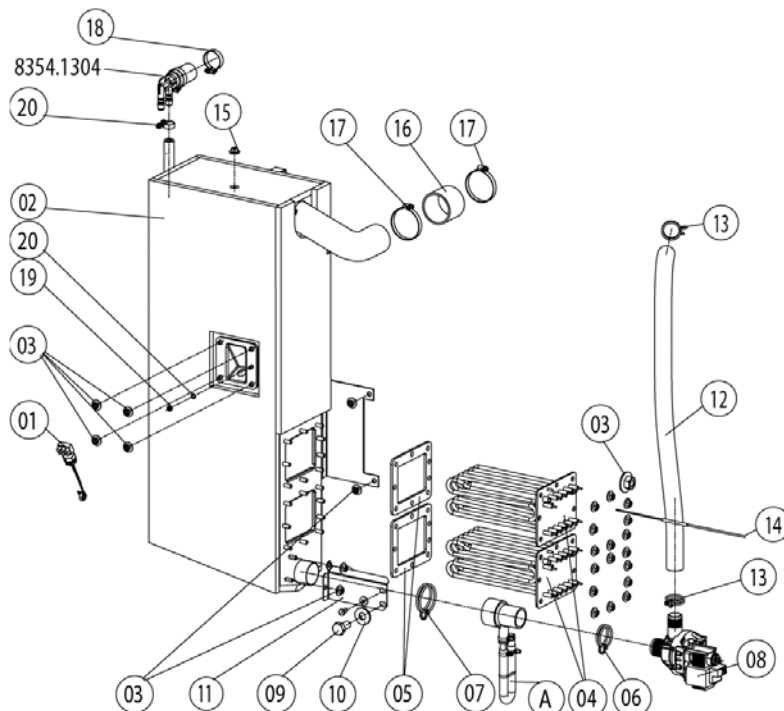
► 15* Voltage depending parts shown in chapter 15



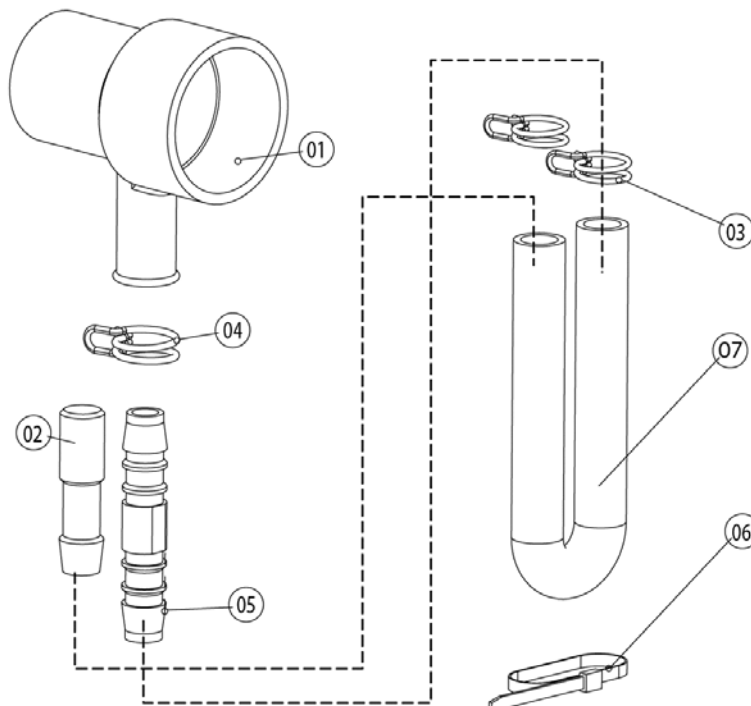
| Item no. | Part no | Reference | Description |
|----------|-----------|-----------|------------------------------|
| 1 | 40.00.391 | | Cable bushing f. cable entry |
| 2 | 10.00.076 | | Allen screw M5x35 |
| 3 | 1305.0160 | | Washer A5,3 x 10 mm |
| 4 | 40.00.307 | | Cable entry |
| 5 | 40.00.312 | | Clamp strap f. cable entry |



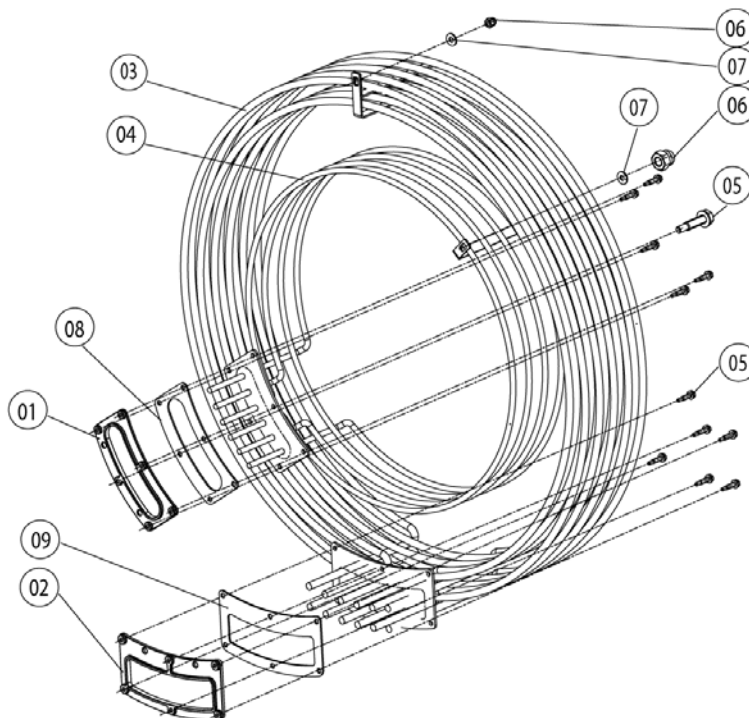
| Item no. | Part no | Reference | Description |
|----------|-----------|-----------|--------------------|
| 1 | 22.00.324 | | Safety valve |
| 2 | 22.00.213 | | Hose d50x210 |
| 3 | 2066.0531 | | Hose clamp ø56 |
| 4 | 2001.0124 | | Compression spring |



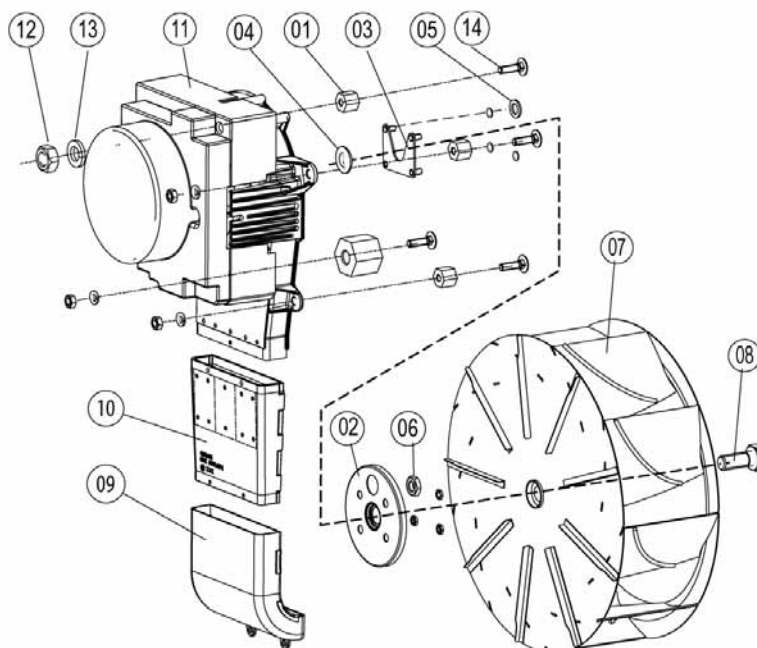
| Item no. | Part no | Reference | Description |
|----------|------------|-----------|---------------------------------------|
| A | _8354.1320 | ►4.A | Pump connection |
| 1 | 3002.0402 | | Filling level electrode 90 mm |
| 2 | 44.00.173 | | Steam generator insolated |
| 3 | 1106.0803 | | Hex combination nut M6 galv |
| 4 | 44.00.195 | | Heating element |
| 5 | 44.00.279 | | Gasket f. heating element |
| 6 | 2066.0519 | | Hose clamp 35,6mm |
| 7 | 2066.0526 | | Hose clamp ø46mm |
| 8 | 44.00.207 | | Emptying pump |
| 9 | 1006.0762 | | Hex screw M6x10 |
| 10 | 1306.0222 | | Washer A6.4x15x1.5 |
| 11 | 44.00.232 | | Fixing device f. pump steam generator |
| 12 | 44.00.216 | | Drain hose steam generator |
| 13 | 2066.0518 | | Hose clamp 30mm |
| 14 | 40.00.291 | | Thermocouple steam generator |
| 15 | 1104.0122 | | Hex combination nut M4 galv |
| 16 | 2112.1006 | | Steam hose 50x7mm |
| 17 | 2066.0504 | | Hose clamp 40-60mm |
| 18 | 2066.0506 | | Hose clamp 20-32mm |
| 19 | 1105.0120 | | Hex nut M5 |
| 20 | 1205.0120 | | Tooth lock washer A5,3 |



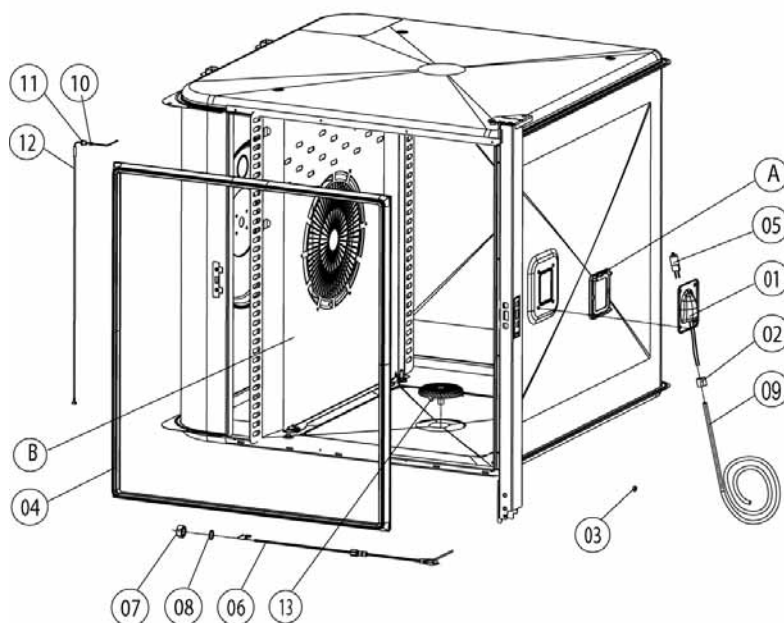
| Item no. | Part no | Reference | Description |
|----------|-----------|-----------|-----------------------------------|
| 1 | 2118.1000 | | Pump connection spout |
| 2 | 2120.1259 | | Stop plug 10mm |
| 3 | 2066.0527 | | Hose clamp \varnothing 14mm |
| 4 | 2066.0530 | | Hose clamp \varnothing 16.4mm |
| 5 | 2062.0331 | | Junction pressure hose GS 10 |
| 6 | 4005.0101 | | Tie rap 145 mm |
| 7 | 2110.1008 | | Silicon hose \varnothing 10x2mm |



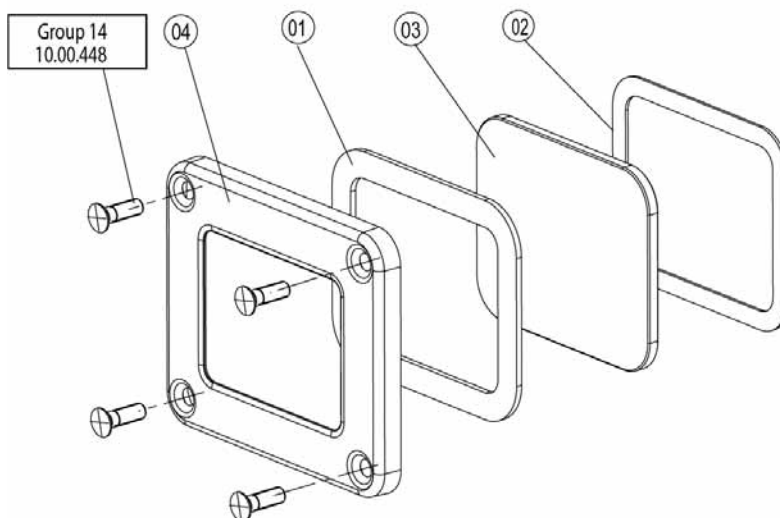
| Item no. | Part no | Reference | Description |
|----------|-----------|-----------|-----------------------------------|
| 1 | 40.00.305 | | Mating flange f. heating assembly |
| 2 | 40.00.330 | | Mating flange f. heating assembly |
| 3 | 40.00.267 | | Heating assembly |
| 4 | 40.00.271 | | Heating assembly |
| 5 | 10.00.109 | | Hex screw M5x23 |
| 6 | 1106.0360 | | Cap nut M6, high shape |
| 7 | 1306.0222 | | Washer A6.4x15x1.5 |
| 8 | 40.00.332 | | Gasket f. heating assembly |
| 9 | 40.00.331 | | Gasket f. heating assembly |



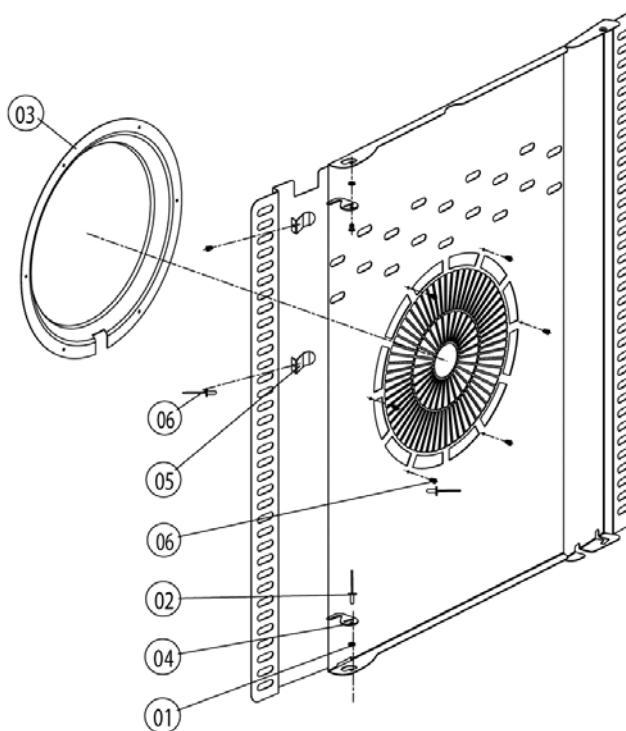
| Item no. | Part no | Reference | Description |
|----------|-----------|-----------|---------------------------------------|
| 1 | 2120.1306 | | Spacer SW19x17 |
| 2 | 22.00.123 | | Flange f. motor shaft gasket |
| 3 | 22.00.120 | | Mounting support f. gasket flange |
| 4 | 5001.0207 | | Motor shaft gasket |
| 5 | 1315.0101 | | Copper washer 6x10 |
| 6 | 1106.0220 | | Hex nut M6 flat |
| 7 | 22.00.192 | | Fan wheel d340x135 |
| 8 | 1008.0763 | | Hex screw M8x20 |
| 9 | 40.00.310 | | Exhaust pipe below |
| 10 | 40.00.435 | | Exhaust channel f. SSR |
| 11 | 40.00.275 | | Fan motor |
| 12 | 1108.0260 | | Hex nut M8 |
| 13 | 1208.0260 | | Spring washer B8 |
| 14 | 1008.1005 | | Square necked mushroom head bolt 8x40 |



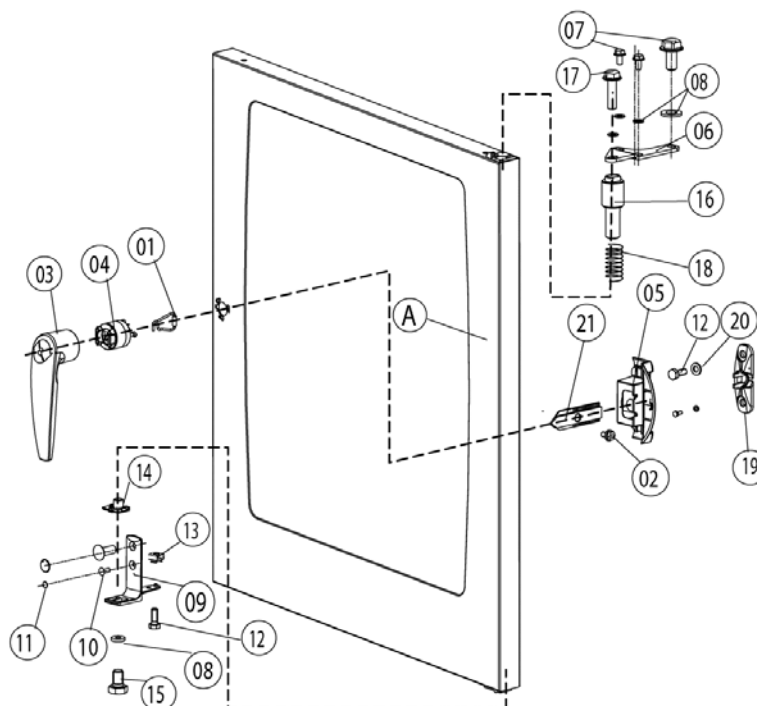
| Item no. | Part no | Reference | Description |
|----------|-----------|-----------|--|
| A | 40.00.091 | ►7.A | Gasket frame w. glass a. gaskets |
| B | 22.00.296 | ►7.B | Air baffle |
| 1 | 40.00.098 | | Reflector f. interior light |
| 2 | 4001.1248 | | Porcelain connector 2-pin interior light |
| 4 | 20.00.397 | | Door gasket |
| 5 | 3024.0201 | | Halogen bulb for interior cabinet |
| 6 | 40.00.608 | | Meat probe sensor |
| 7 | 10.00.422 | | Hex nut M16 |
| 8 | 1315.0104 | | Copper washer 16x20x1,5 |
| 10 | 3014.0162 | | Sealing cone for thermocouple |
| 11 | 3014.0163 | | Gasket sleeve with nipple |
| 9 | 40.00.227 | | Wiring interior light |
| 12 | 40.00.395 | | Thermocouple interior cabinet |
| 13 | 2005.0308 | | Outlet sieve |
| 3 | 10.00.070 | | Hex nut M6 |



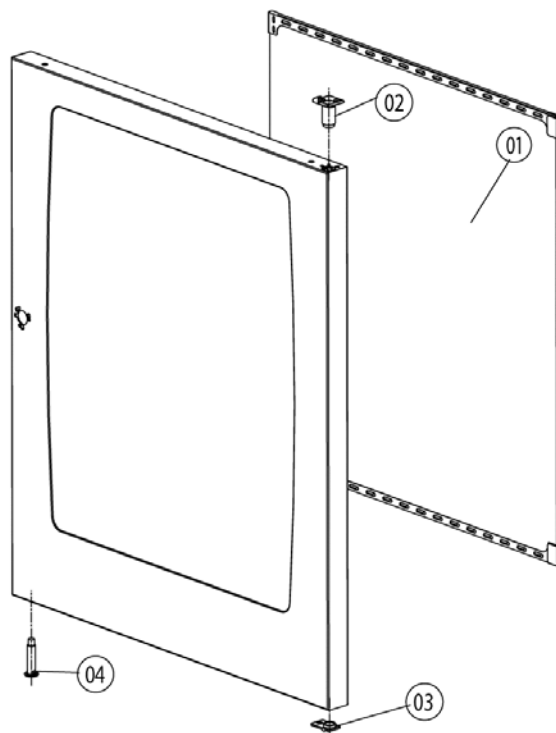
| Item no. | Part no | Reference | Description |
|----------|-----------|-----------|--------------------------------|
| 1 | 40.00.093 | | Outer gasket f. interior light |
| 2 | 40.00.094 | | Inner gasket f. interior light |
| 3 | 40.00.095 | | Glass pane f. interior light |
| 4 | 40.00.096 | | Gasket frame f. interior light |



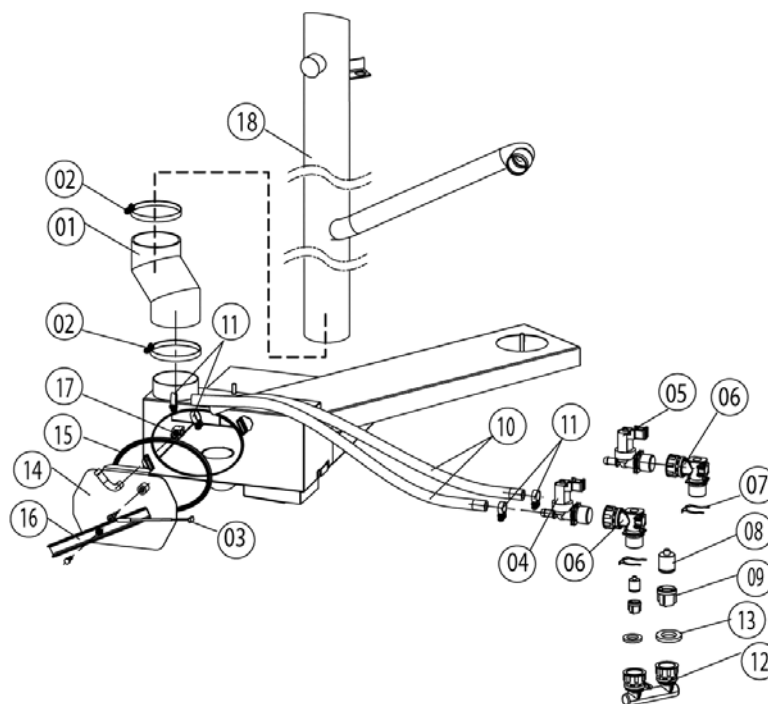
| Item no. | Part no | Reference | Description |
|----------|-----------|-----------|--------------------------------|
| 1 | 1304.0160 | | Washer A4,3 |
| 2 | 1604.0167 | | Rivet 4x10 |
| 3 | 22.00.332 | | Air sucking ring f. air baffle |
| 4 | 2760.1370 | | Latch hook for air baffle |
| 5 | 40.01.289 | | Fixing clip core temp. cable |
| 6 | 1603.0168 | | Rivet 3,2x8 A4 |



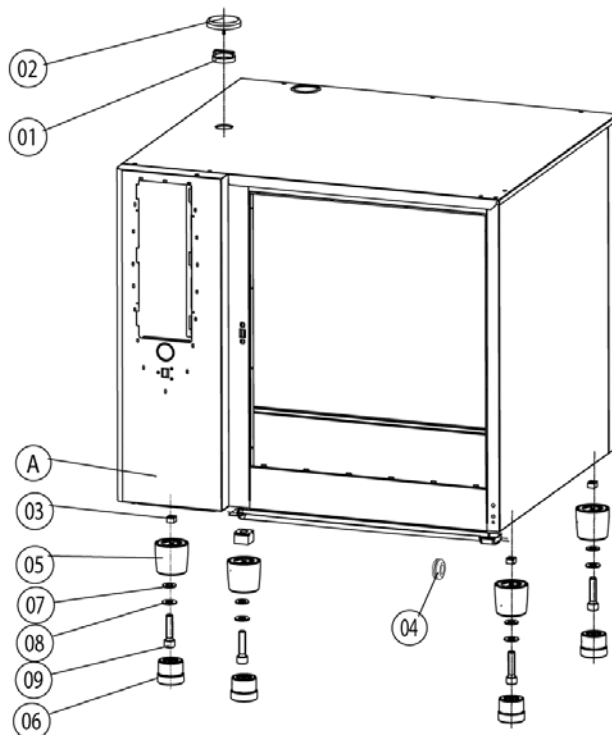
| Item no. | Part no | Reference | Description |
|----------|-----------|-------------|-------------------------------|
| A | 24.00.113 | ▶8.A | Door |
| 1 | 24.00.506 | | Spring clip f. door lock |
| 2 | 1005.2000 | | Interlocking tooth screw M5x8 |
| 3 | 24.00.152 | | Door handle |
| 4 | 24.00.176 | | Door lock |
| 5 | 24.00.504 | | Lock cover |
| 6 | 24.00.133 | | Door mounting support top |
| 7 | 1008.0768 | | Ornamental screw M8x16 |
| 8 | 1308.0160 | | Washer A8,4 |
| 9 | 24.00.223 | | Door mounting support bottom |
| 10 | 1006.1962 | | Countersunk screw Torx M6x16 |
| 11 | 10.00.090 | | Cap f. Torx T30 |
| 12 | 1006.0760 | | Hex screw M6x16 |
| 13 | 1106.0802 | | Cage nut M6 |
| 14 | 24.00.137 | | Door bolt |
| 15 | 10.00.099 | | Hex screw M8x12 |
| 16 | 24.00.048 | | Door bolt |
| 17 | 1008.0769 | | Ornamental screw M8x30 |
| 18 | 2001.0109 | | Compression spring |
| 19 | 24.00.141 | | Holding bracket f. door catch |
| 20 | 1306.0120 | | Washer A6,4 |
| 21 | 24.00.142 | | Door catch |



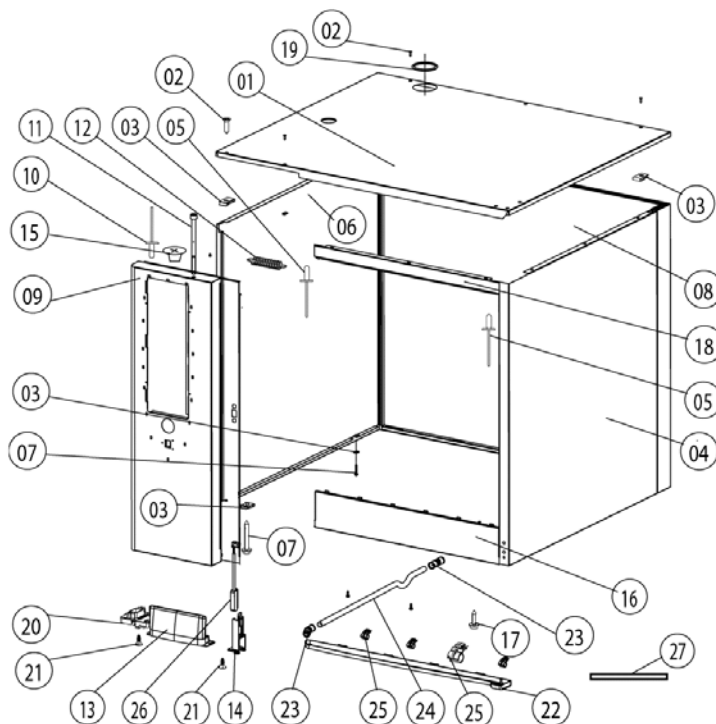
| Item no. | Part no | Reference | Description |
|----------|-----------|-----------|--------------------------|
| 1 | 24.00.200 | | Inner glass pane |
| 2 | 24.00.147 | | Sleeve for door bolt top |
| 3 | 24.00.146 | | Door setting bolt |
| 4 | 24.00.502 | | Fixing device f. magnet |



| Item no. | Part no | Reference | Description |
|----------|-----------|-----------|---|
| 1 | 54.00.094 | | Rubber form piece venting pipe |
| 2 | 2066.0516 | | Hose clamp 60-80 mm |
| 3 | 40.00.287 | | Thermocouple quenching |
| 4 | 50.00.316 | | Single solenoid valve |
| 5 | 50.00.139 | | Single solenoid valve |
| 6 | 50.00.071 | | Water distribution hor. w/o roll guide con. |
| 7 | 50.00.086 | | Locking plate f. water distribution |
| 8 | 50.00.078 | | Non return valve DW16/DN12 |
| 9 | 1900.0202 | | Water filter |
| 10 | 2067.0050 | | Pressure hose d10mm |
| 11 | 2066.0205 | | Hose clamp 8-16x9 mm SW 7mm |
| 12 | 8664.1301 | | T-fitting water connection |
| 13 | 5110.1024 | | Gasket for G3/4" threaded joint |
| 14 | 54.00.228 | | Inspection lid f. quenching chamber |
| 15 | 5012.0566 | | Gasket quenching chamber O-ring |
| 16 | 54.00.225 | | Clamping bar |
| 17 | 2016.0936 | | Quenching nozzle 3.9 l/min |
| 18 | 54.00.220 | | Exhaust pipe |



| Item no. | Part no | Reference | Description |
|----------|------------|-----------|--------------------------------|
| A | _16.00.370 | ►13.A | - P-Außenkasten CD 102/E 01/04 |
| 1 | 8450.1310 | | Spacer ring |
| 2 | 8455.1209 | | Vent cover |
| 3 | 1110.0800 | | Cage nut M10 |
| 4 | 2022.0101 | | Grommet 18 mm |
| 5 | 12.00.205 | | Upper part of pedestal |
| 6 | 12.00.206 | | Lower part of pedestal |
| 7 | 1310.0160 | | Washer A10,5 |
| 8 | 1328.0102 | | Safety washer A10,2 |
| 9 | 10.00.107 | | Allen screw M10x30 |



| Item no. | Part no | Reference | Description |
|----------|-----------|-----------|---------------------------------------|
| 1 | 16.00.340 | | Top cover |
| 2 | 1003.2265 | | Countersunk self tapping screw 4,2x16 |
| 3 | 1104.0820 | | Snap nut 4.2mm |
| 4 | 16.00.154 | | Side panel right |
| 5 | 1603.0166 | | Rivet 3.2x7,9, CNS closed |
| 6 | 16.00.155 | | Side panel left |
| 7 | 10.00.102 | | Hex self tapping screw 4,2x32 |
| 8 | 16.00.188 | | Back panel |
| 9 | 16.00.299 | | Front panel |
| 10 | 1603.0161 | | Rivet 3,2x6 |
| 11 | 10.00.069 | | Slotted pan head screw M6x90 |
| 12 | 2002.0107 | | Tension spring for front panel |
| 13 | 16.00.673 | | Air inlet filter |
| 14 | 16.00.384 | | Bracket for door contact switch |
| 15 | 2039.0331 | | Cap for service door |
| 16 | 16.00.323 | | Crossbar below |
| 17 | 1004.2160 | | Hex self tapping screw 4,2x16 |
| 18 | 16.00.331 | | Crossbar top |
| 19 | 5105.1028 | | Gasket f. breather tube d=74mm |
| 20 | 16.00.360 | | Cover f. RS232 interface |
| 21 | 10.00.103 | | EJOT PT-screw KA 3.5x10 |
| 22 | 50.00.300 | | Drip collector |
| 23 | 50.00.303 | | Bushing drip collector |
| 24 | 50.00.304 | | Drain drip collector |
| 25 | 50.00.296 | | Clip f. drip collector |
| 26 | 40.00.454 | | Door switch 1.65m |

Attention! Individual parts shown might not be used in this component group!

► 15* Voltage depending parts shown in chapter 15



CM 102 E

Valid as of E12ME0404 up to E12ME....

Electrical unit

▶ **13.A - P-Außenkasten CD 102/E 01/04**

13

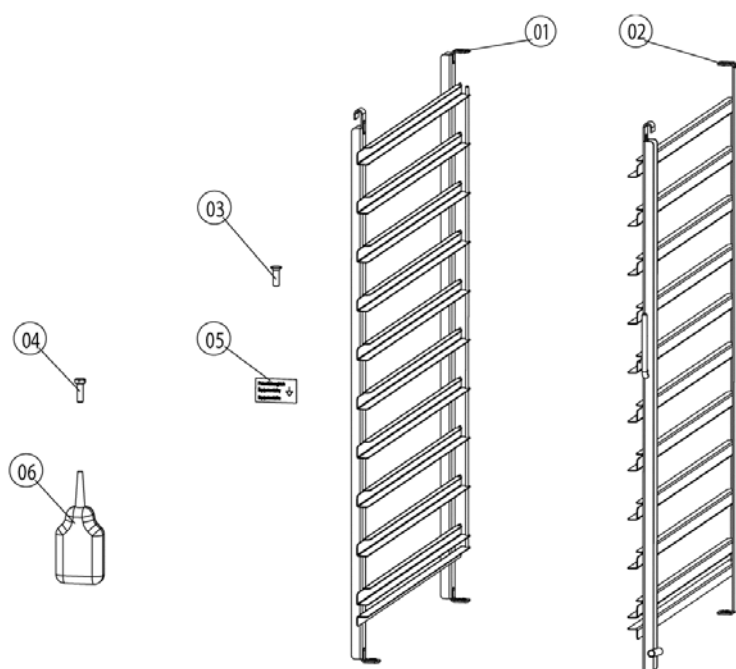
13 Exterior cabinet

Voltage **3 NAC 400V 50-60Hz**

| Item no. | Part no | Reference | Description |
|----------|-----------|-----------|-------------------------|
| 27 | 16.00.338 | | Edge protection profile |

Attention! Individual parts shown might not be used in this component group!

▶ 15* Voltage depending parts shown in chapter 15



| Item no. | Part no | Reference | Description |
|----------|-----------|-----------|---------------------------------------|
| 1 | 60.12.003 | | Hinging rack left |
| 2 | 60.12.004 | | Hinging rack right |
| 3 | 10.00.448 | | Phillips countersunk-head screw M5x16 |
| 4 | 1008.0750 | | Hex screw M5x16 |
| 5 | 2049.0817 | | Sticker, Equipotential bonding |
| 6 | 5006.0202 | | Loctite IS 495 |



CM 102 E

Valid as of up to

Electrical unit

▶ **15 Voltage depending parts**

0

0 Voltage depending parts

Voltage **3 NAC 400V 50-60Hz**

| Item no. | Part no | Reference | Description |
|----------|---------|-----------|-------------|
|----------|---------|-----------|-------------|

Attention! Individual parts shown might not be used in this component group!

▶ 15* Voltage depending parts shown in chapter 15



xxxx

0 xxxx

0

Elektrogeräte

▶ **0 xxxx**

0

Gültig von
xxxx

bis:
xxxx

Spannung: **xxxx**

Attention! Individual parts shown might not be used in this component group!

▶ 15* Voltage depending parts shown in chapter 15