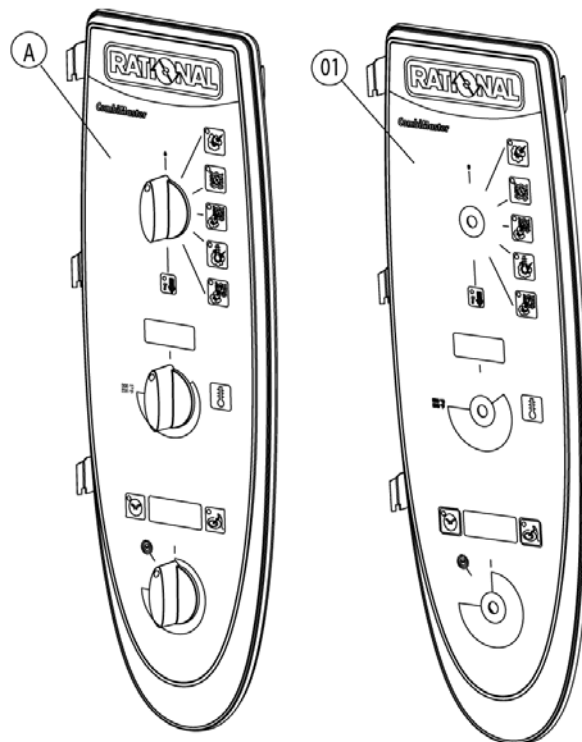
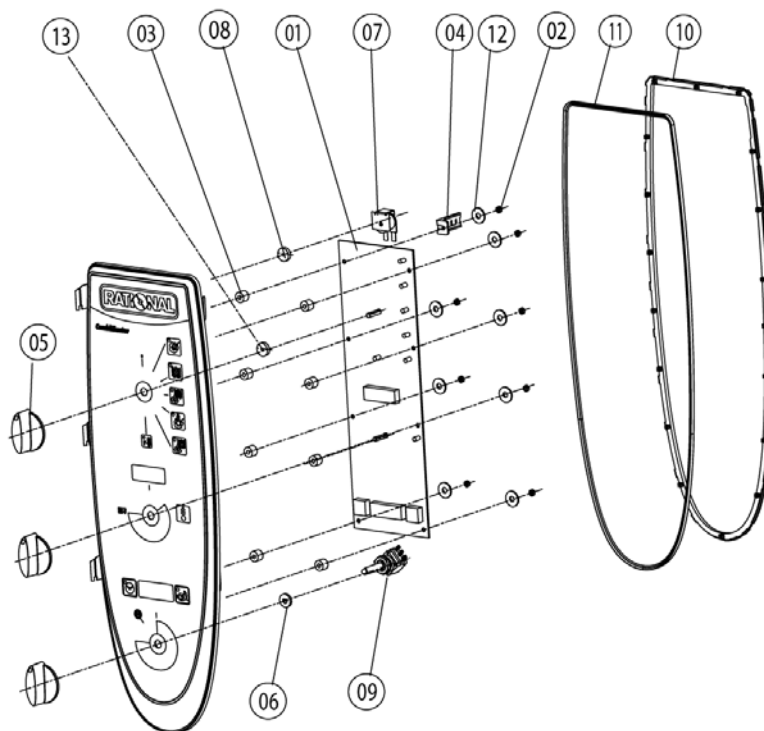


Item no.	Part no	Reference	Description
1		▶1	Control panel
2		▶2	Electrical installation
3		▶3	Clima Plus
4		▶4	Steam generator, Bypass
5		▶5	Hot air heating
6		▶6	Motor and fan wheel
7		▶7	Interior cabinet
8		▶8	Door
9		▶9	Water supply, quenching box
12		▶12	Gas parts
13		▶13	Exterior cabinet
14		▶14	Miscellaneous
15		▶15	Voltage depending parts

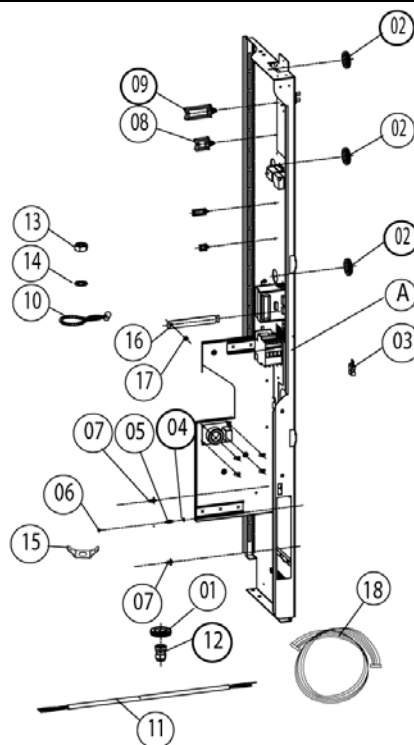
1	Control panel	3
1.A	Control panel.....	4
2	Electrical installation	5
2.A	- EM CM 201/G 1NAC230V50-60 01/04	6
3	Clima Plus.....	7
4	Steam generator, Bypass	8
4.A	Pump connection	10
4.B	Venting valve for steam generation.....	11
5	Hot air heating	12
5.A	Burner hot air	13
6	Motor and fan wheel	14
7	Interior cabinet	15
7.A	Gasket frame w. glass a. gaskets	16
7.B	Air baffle.....	17
8	Door.....	18
8.A	Door	20
8.B	Door catch.....	21
9	Water supply, quenching box.....	22
12	Gas parts	23
12.A	Gas valve cpl. ND 055 RG148	25
12.B	Gas valve cpl. WND 055 RG130.....	26
13	Exterior cabinet.....	27
13.A	- P-Außenkasten CD 201/G 01/04	28
14	Miscellaneous	29
15	Voltage depending parts.....	30



Item no.	Part no	Reference	Description
A	16.00.677	►1.A	Control panel
1	87.00.003		Control panel insert with overlay



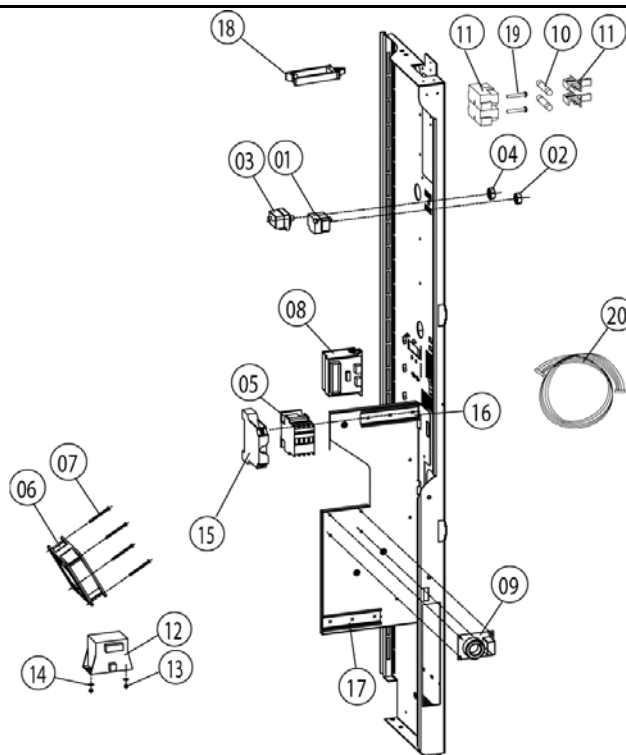
Item no.	Part no	Reference	Description
1	42.00.004		Control pcb
2	1104.0121		Hex nut M4 self locking
3	10.00.355		Spacer black
4	2020.0400		Fixing device for cable harness
5	16.00.282		Dial
6	5110.1027		Distance plate for front panel
7	3006.0107		Buzzer
8	5110.1028		Gasket poti hot air, core temperature
9	40.00.464		Potentiometer CT
10	16.00.385		Mounting device f. sealing lip panel insert
11	16.00.386		Sealing lip f. panel insert
12	1306.0218		Washer A4,3
13	5110.1029		Gasket mode switch



Item no.	Part no	Reference	Description
A	_40.00.512	►2.A	- EM CM 201/G 1NAC230V50-60 01/04
1	4007.0620		Membrane DGC 29
2	10.00.510		Durchführungsstülle 10/12/16-2
3	42.00.007		External memory
4	1104.0801		Cage nut M4
5	10.00.243		Spacer M4x8
6	1104.0120		Hex nut M4
7	40.01.579		- Platinenhalteclip 61-202 m. Nase 01/04
8	10.00.112		Cable clip short
9	10.00.111		Cable clip long
10	10.00.471		Cable clip d10-12mm
11	40.01.596		Power supply cable 3x2,5mm ² 3m
12	40.00.320		Cable connection M20x1.5
13	1106.0160		Hex nut M6
14	1206.0120		Tooth lock washer A6,4
15	4002.0110		Cable connector, junction
16	40.01.132		- Zugstab f. Tragelement 201/202 01/04
17	1106.0224		Hex nut M6 self locking
18	40.00.471		Bus cable 0.8m
18	40.00.472		Bus cable 1.3m
18	40.01.091		Bus cable 0.4m
--	42.00.030		- Memory-Stick CM 01/04

Attention! Individual parts shown might not be used in this component group!

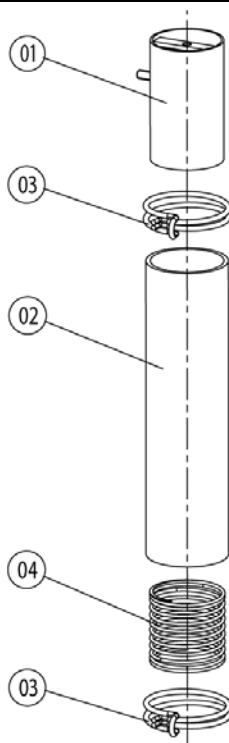
► 15* Voltage depending parts shown in chapter 15



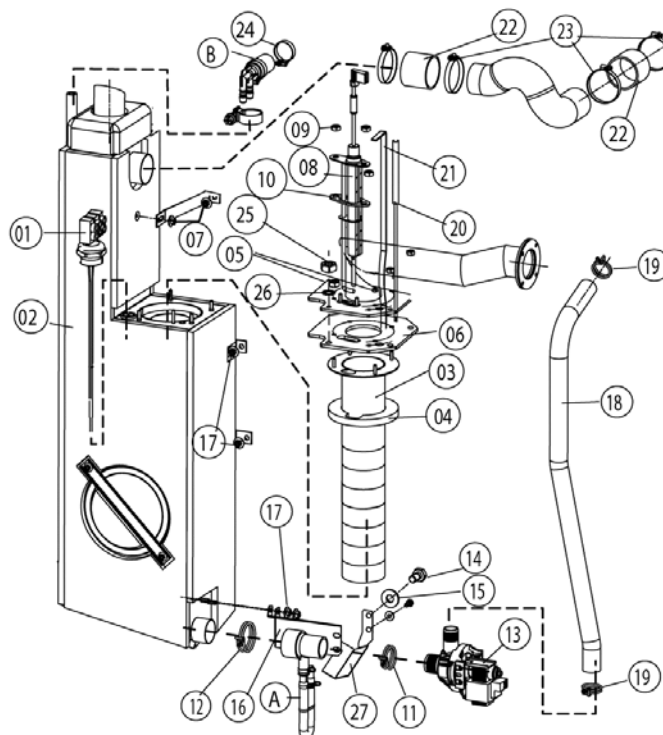
Item no.	Part no	Reference	Description
1	3014.0328		Dry up protector 275°F/135°C
2	3014.0302		Hex nut M10 for dry-up protector
3	40.00.605		Safety temperature limiter 365°C
4	3014.0327		Hex nut M10x1,0
5	40.00.451		Contactor MC1A 310 AH6
6	40.00.474		Cooling fan D.C.
7	10.00.238		Screw Torx 4x50
8	40.00.333		Halogen transformer
9	40.01.483		Electronic noise filter
10	4001.0224		Fuse 6.35x32mm
11	4001.1295		Fuse holder e 1003Si/1DS
12	40.00.592		Transformer f. cooling fan
13	1105.0120		Hex nut M5
14	1305.0160		Washer A5,3 x 10 mm
15	4001.1203		End plate for mounting rail
16	2620.370233		Installation rail for Contactor 100mm
17	2620.380129		Installation rail for Contactor 130mm
18	10.00.111		Cable clip long
19	10.00.061		Pan head screw Torx T20 M4x12
20	40.01.485		Cable burner blower
20	40.00.221		Cable burner blower
20	40.00.212		Cable buzzer
20	40.00.218		Cable control harness
20	40.00.230		Cable gas valve
20	40.00.219		Cable SC pump
20	40.00.220		Cable solenoid valve

Attention! Individual parts shown might not be used in this component group!

► 15* Voltage depending parts shown in chapter 15



Item no.	Part no	Reference	Description
1	22.00.324		Safety valve
2	22.00.214		Hose d50x195
3	2066.0531		Hose clamp ø56
4	2001.0124		Compression spring



Item no.	Part no	Reference	Description
A	_8354.1320	►4.A	Pump connection
B	8354.1304	►4.B	Venting valve for steam generation
1	44.00.514		Filling level electrode 175mm
2	44.00.186		Steam generator insolated
3	72.00.011		Burner steam gen.
4	72.00.048		Insulation f. burner steam gen.
5	1104.0122		Hex combination nut M4 galv
6	72.00.020		Gasket f. burner carrier
7	1105.0121		Hex combination nut M5 galv
8	44.00.249		Ignition electrode steam generator
9	1104.0120		Hex nut M4
10	44.00.250		Gasket f. ignition electrode
11	2066.0519		Hose clamp 35,6mm
12	2066.0526		Hose clamp ø46mm
13	44.00.207		Emptying pump
14	1006.0762		Hex screw M6x10
15	1306.0222		Washer A6.4x15x1.5
16	44.00.226		Fixing device f. pump steam generator
17	1106.0803		Hex combination nut M6 galv
18	44.00.231		Drain hose steam generator
19	2066.0518		Hose clamp 30mm
20	40.00.292		Thermocouple steam generator
21	44.00.518		Fixing plate steam generator thermostat
22	2112.1006		Steam hose 50x7mm
23	2066.0504		Hose clamp 40-60mm
24	2066.0506		Hose clamp 20-32mm

Attention! Individual parts shown might not be used in this component group!

► 15* Voltage depending parts shown in chapter 15



CM 201 G

Valid as of G21ME0404 up to G21ME....

Gas unit

▶ 4 Steam generator, Bypass

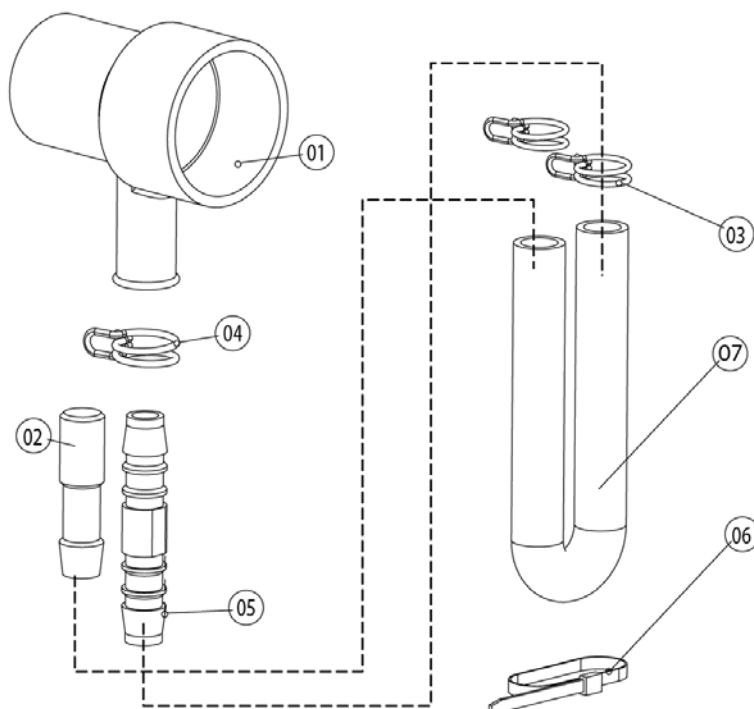
4

4 Steam generator, Bypass Voltage 1 NAC 230V 50-60Hz

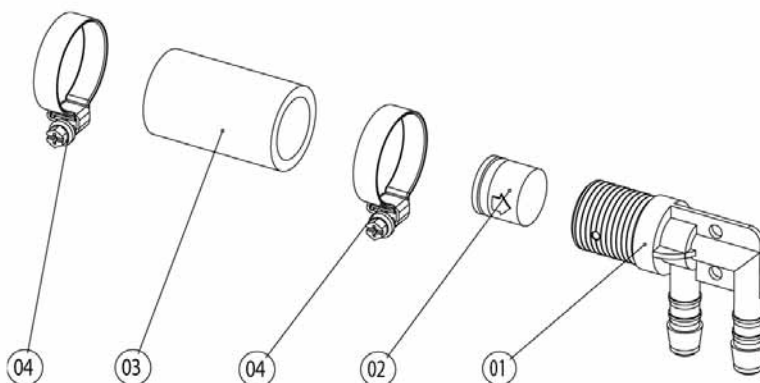
Item no.	Part no	Reference	Description
25	1105.0120		Hex nut M5
26	1205.0120		Tooth lock washer A5,3

Attention! Individual parts shown might not be used in this component group!

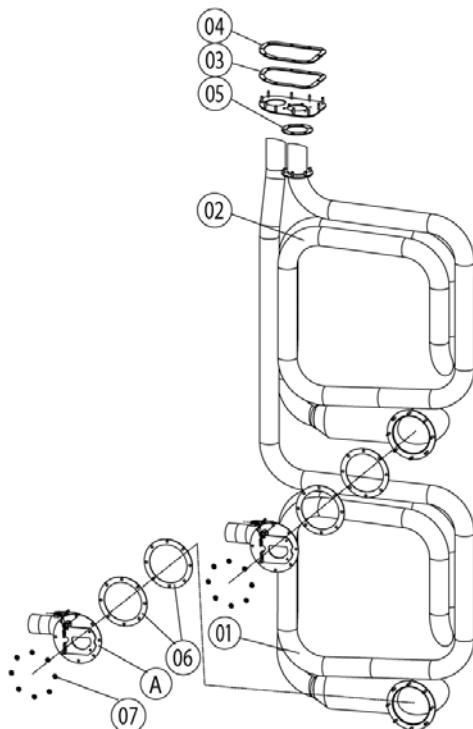
▶ 15* Voltage depending parts shown in chapter 15



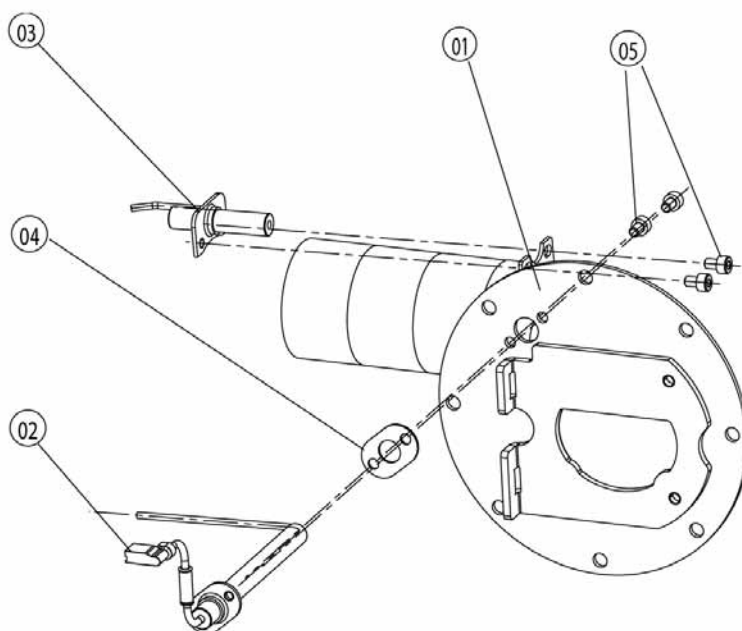
Item no.	Part no	Reference	Description
1	2118.1000		Pump connection spout
2	2120.1259		Stop plug 10mm
3	2066.0527		Hose clamp ø14mm
4	2066.0530		Hose clamp ø16.4mm
5	2062.0331		Junction pressure hose GS 10
6	4005.0101		Tie rap 145 mm
7	2110.1008		Silicon hose ø10x2mm



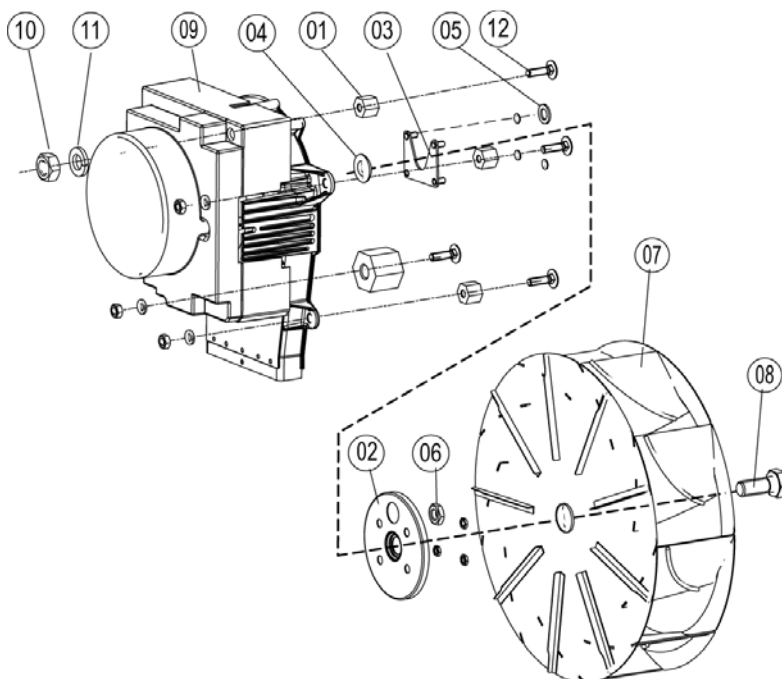
Item no.	Part no	Reference	Description
1	2062.0332		Receptacle for ventilation valve SG
2	2069.0108		Ventilation valve
3	2112.1310		Form hose for ventilation of steam generator
4	2066.0506		Hose clamp 20-32mm



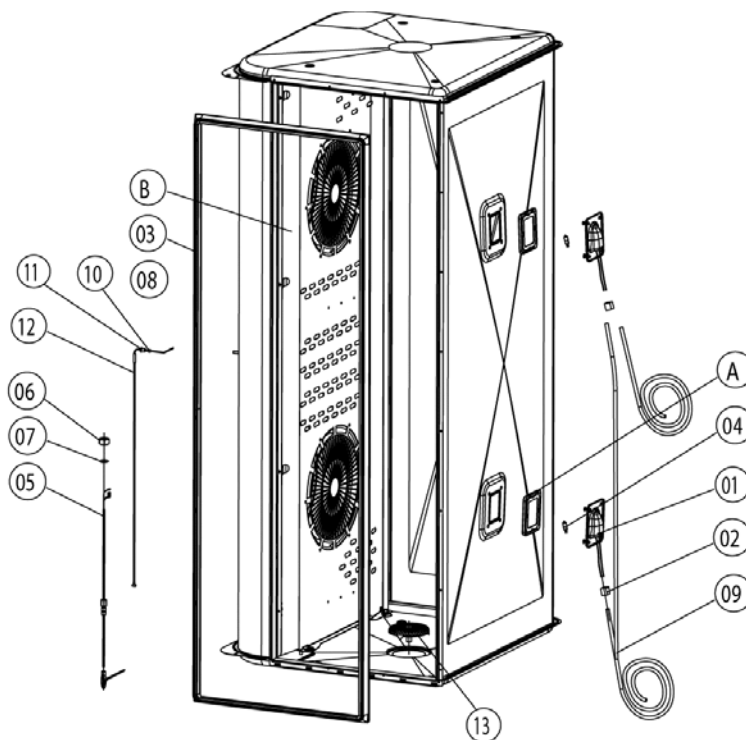
Item no.	Part no	Reference	Description
A	74.00.222	►5.A	Burner hot air
1	74.00.170		Hot air heat exchanger below
2	74.00.175		Hot air heat exchanger top
3	74.00.234		Gasket hot air heat exchanger/interior cabinet
4	74.00.313		Mating flange heat exchanger
5	74.00.317		Gasket f. heat exchanger top
6	74.00.296		Gasket f. heat exchanger below
7	1105.0122		Hex combination nut M5 V2A



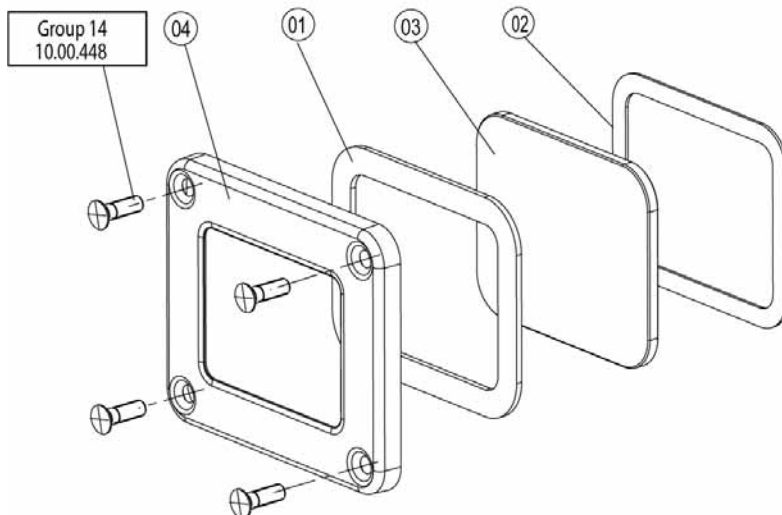
Item no.	Part no	Reference	Description
1	74.00.345		Burner welded hot air
2	74.00.230		Ignitionelectrode1 f. hot air
3	74.00.235		Ignitionelectrode2 f. hot air
4	74.00.290		Gasket electrode hot air
5	10.00.060		Pan head screw Torx M4x6



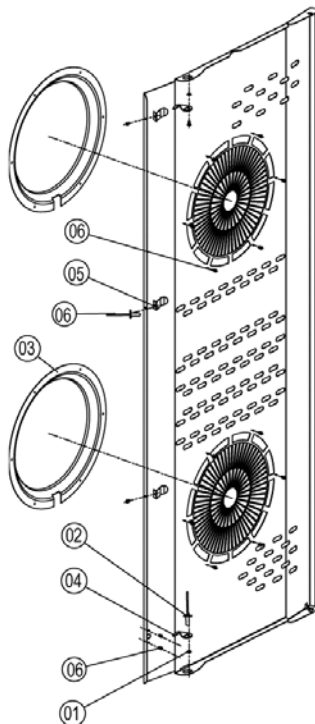
Item no.	Part no	Reference	Description
1	2120.1306		Spacer SW19x17
2	22.00.123		Flange f. motor shaft gasket
3	22.00.120		Mounting support f. gasket flange
4	22.00.083		Motor shaft gasket
5	1315.0101		Copper washer 6x10
6	1106.0220		Hex nut M6 flat
7	22.00.188		Fan wheel d340x110
8	1008.0763		Hex screw M8x20
9	40.00.274		Fan motor
10	1108.0260		Hex nut M8
11	1208.0260		Spring washer B8
12	1008.1005		Square necked mushroom head bolt 8x40



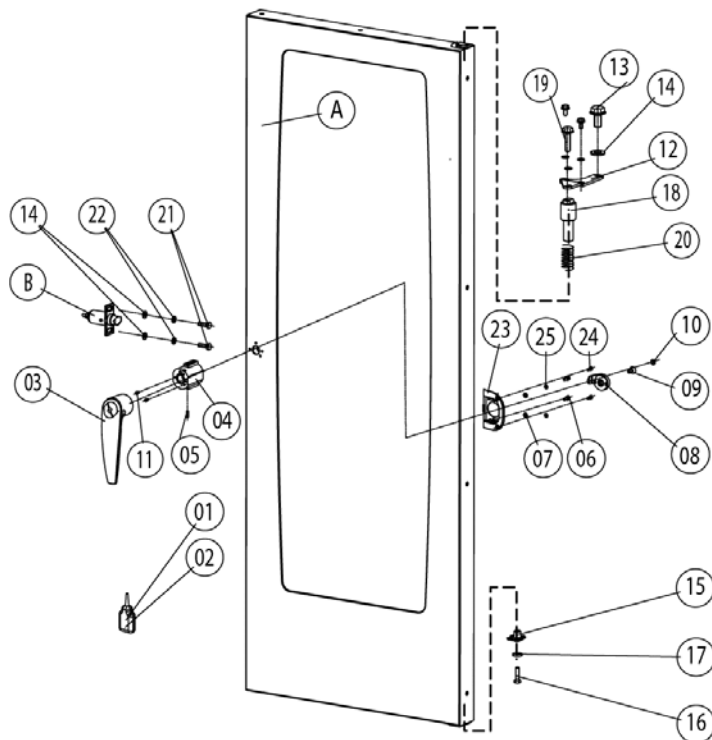
Item no.	Part no	Reference	Description
A	40.00.091	►7.A	Gasket frame w. glass a. gaskets
B	22.00.297	►7.B	Air baffle
1	40.00.098		Reflector f. interior light
2	4001.1248		Porcelain connector 2-pin interior light
3	20.00.398		Door gasket
4	3024.0201		Halogen bulb for interior cabinet
5	40.00.298		Meat probe sensor
6	10.00.422		Hex nut M16
7	1315.0104		Copper washer 16x20x1,5
9	40.00.229		Wiring interior light
8	22.00.220		Air baffle support
10	3014.0162		Sealing cone for thermocouple
11	3014.0163		Gasket sleeve with nipple
12	40.01.099		Thermocouple interior cabinet (B1)
13	2005.0308		Outlet sieve



Item no.	Part no	Reference	Description
1	40.00.093		Outer gasket f. interior light
2	40.00.094		Inner gasket f. interior light
3	40.00.095		Glass pane f. interior light
4	40.00.096		Gasket frame f. interior light



Item no.	Part no	Reference	Description
1	1304.0160		Washer A4,3
2	1604.0167		Rivet 4x10
3	22.00.332		Air sucking ring f. air baffle
4	2760.1370		Latch hook for air baffle
5	40.01.289		Fixing clip core temp. cable
6	1603.0168		Rivet 3,2x8 A4



Item no.	Part no	Reference	Description
A	24.00.121	►8.A	Door
B	8514.1307	►8.B	Door catch
1	2001.0042		Loctite 243 10 ml
2	2001.0046		Loctite 272
3	24.00.136		Door handle
4	8474.1410		Door lock
5	1005.1901		Straight pin ø5,6x16
6	1006.0761		Hex screw M6x12
7	1206.0261		Spring washer B6
8	2940.1305		Door bolt
9	1008.1963		Hex socket countersunk head screw M8x16
10	2039.0309		Cover cap for door
11	1004.0665		Allen screw M4x6
12	24.00.133		Door mounting support top
13	1008.0768		Ornamental screw M8x16
14	1308.0160		Washer A8,4
15	24.00.145		Door bolt
16	1008.0766		Hex screw M8x30
17	1308.0162		Washer A8.4
18	24.00.048		Door bolt
19	1008.0769		Ornamental screw M8x30
20	2001.0109		Compression spring
21	1008.0761		Hex screw M8x25
22	1208.0260		Spring washer B8
23	24.00.216		Mounting bracket f. door lock
24	1008.0752		Hex screw M5x10

Attention! Individual parts shown might not be used in this component group!

► 15* Voltage depending parts shown in chapter 15



CM 201 G

Valid as of G21ME0404 up to G21ME....

Gas unit

▶ 8 Door

8

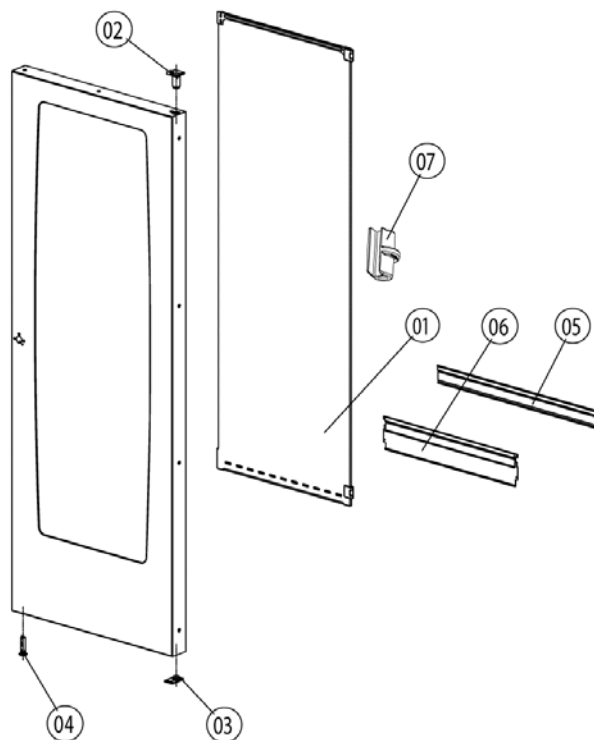
8 Door

Voltage 1 NAC 230V 50-60Hz

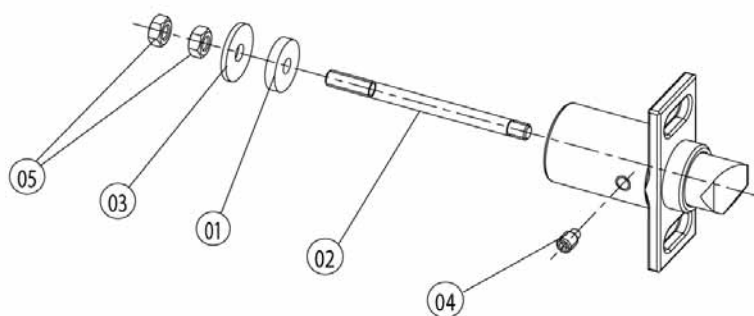
Item no.	Part no	Reference	Description
25	1305.0160		Washer A5,3 x 10 mm

Attention! Individual parts shown might not be used in this component group!

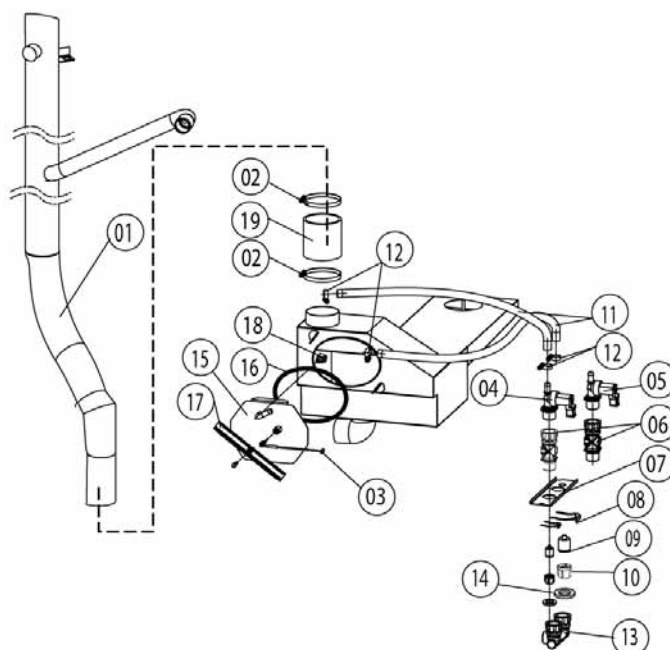
▶ 15* Voltage depending parts shown in chapter 15



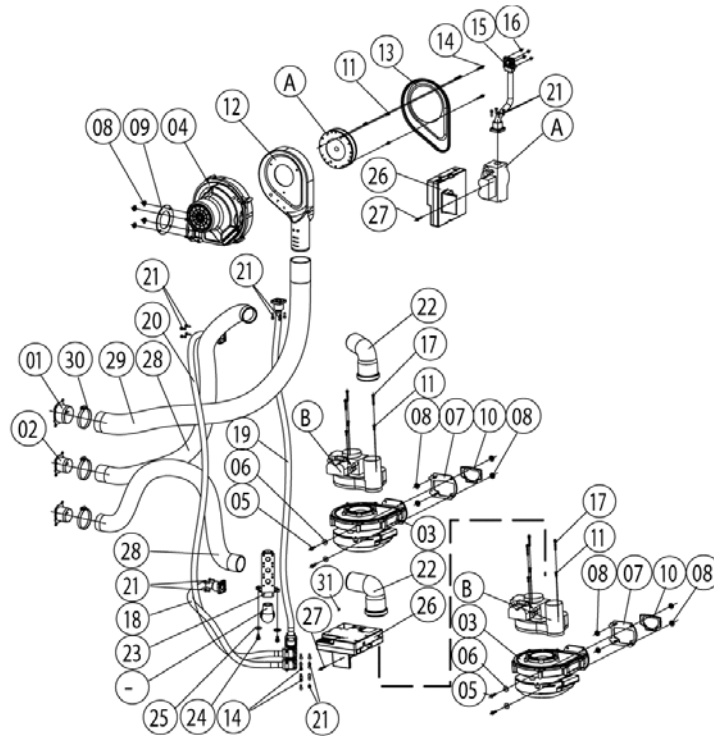
Item no.	Part no	Reference	Description
1	24.00.210		Inner glass pane
2	24.00.147		Sleeve for door bolt top
3	24.00.159		Door setting bolt
4	24.00.503		Fixing device f. magnet
5	24.00.187		Gasket glass pane/trolley
6	24.00.177		Pre heat mechanism f. door
7	24.00.507		Scheibenthaler mitte



Item no.	Part no	Reference	Description
1	5012.0711		Silicone plate for door
2	1006.1000		Stud bolt M6x75
3	1306.0550		Washer A6,6
4	1004.0904		Hex socket set screw M6x10
5	1106.0160		Hex nut M6



Item no.	Part no	Reference	Description
1	54.00.208		Exhaust pipe
2	2066.0516		Hose clamp 60-80 mm
3	40.00.398		Thermocouple quenching
4	50.00.316		Single solenoid valve
5	50.00.139		Single solenoid valve
6	50.00.073		Water distribution vert w/o roll guide con.
7	50.00.275		Mounting device f. water distribution
8	50.00.086		Locking plate f. water distribution
9	50.00.078		Non return valve DW16/DN12
10	1900.0202		Water filter
11	2067.0050		Pressure hose d10mm
12	2066.0205		Hose clamp 8-16x9 mm SW 7mm
13	8664.1301		T-fitting water connection
14	5110.1024		Gasket for G3/4" threaded joint
15	54.00.237		Inspection lid f. quenching chamber
16	5012.0566		Gasket quenching chamber O-ring
17	54.00.225		Clamping bar
18	2016.0943		Quenching nozzle
19	2112.1307		Steam hose 70x5mm



Item no.	Part no	Reference	Description
A	70.00.068	▶12.A	Gas valve cpl. ND 055 RG148
B	70.00.029	▶12.B	Gas valve cpl. WND 055 RG130
1	70.00.222		Air hose fixing device 50mm
2	70.00.221		Air hose fixing device 40mm
3	70.00.028		Blower for burner RG130
4	70.00.067		Blower for burner RG148
5	1008.0750		Hex screw M5x16
6	1305.0160		Washer A5,3 x 10 mm
7	74.00.310		Flange f. burner blower RG130
8	1105.0122		Hex combination nut M5 V2A
9	70.00.242		Gasket f. steam gen blower RG148
10	74.00.301		Gasket f. blower burner
11	10.00.065		Countersunk screw Torx T20 M4x12
12	70.00.367		- Whirl Wind Gehäuse f.RG 148*f.201/G 1/04
13	70.00.238		Premix chamber cover gas f. RG148
14	10.00.063		Pan head screw Torx T20 M4x25
15	70.00.246		Pipe gas valve-premix chamber
16	1104.0121		Hex nut M4 self locking
17	10.00.064		Pan head screw Torx T20 M4x30
18	70.00.139		Corrugated hose 490mm
19	70.00.201		Corrugated hose 970mm
20	70.00.142		Corrugated hose 1200mm
21	10.00.061		Pan head screw Torx T20 M4x12
22	70.00.301		Combustion air angle pipe hot air
23	74.00.309		Gas connection manifold 3x3/4"
24	1006.0762		Hex screw M6x10

Attention! Individual parts shown might not be used in this component group!

▶ 15* Voltage depending parts shown in chapter 15



CM 201 G

Valid as of G21ME0404 up to G21ME....

Gas unit

▶ 12 Gas parts

12

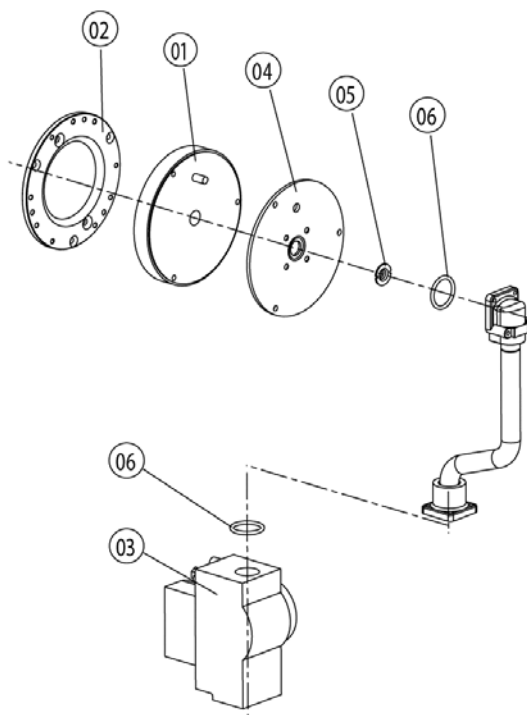
12 Gas parts

Voltage 1 NAC 230V 50-60Hz

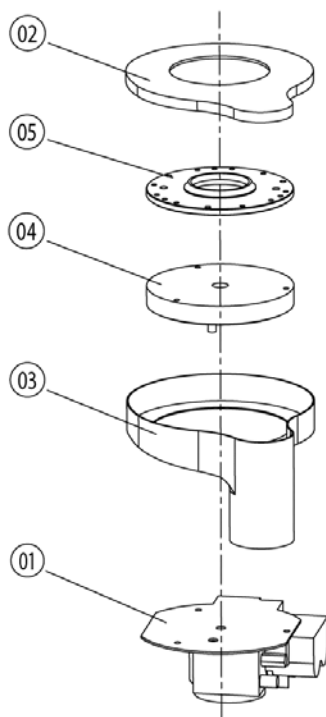
Item no.	Part no	Reference	Description
25	1306.0222		Washer A6.4x15x1.5
26	74.00.221		Automatic ignition controller
27	10.00.062		Pan head screw Torx T20 M4x20
28	70.00.137		Air hose D40x900mm
29	70.00.135		Air hose D50x1100mm
30	2066.0504		Hose clamp 40-60mm
31	40.01.581		- Kurzschlußbrücke(Jumper)201/202 01/04

Attention! Individual parts shown might not be used in this component group!

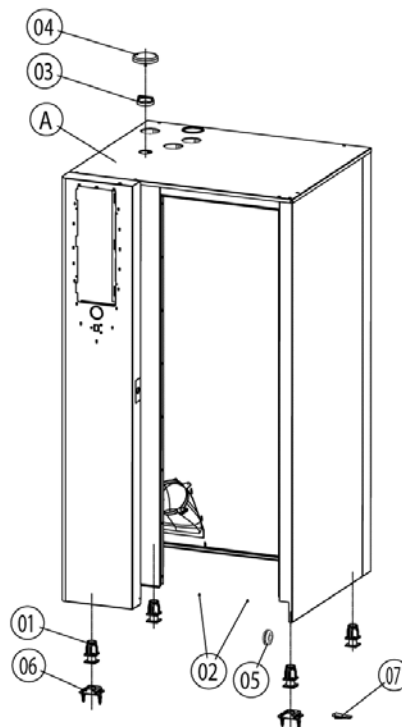
▶ 15* Voltage depending parts shown in chapter 15



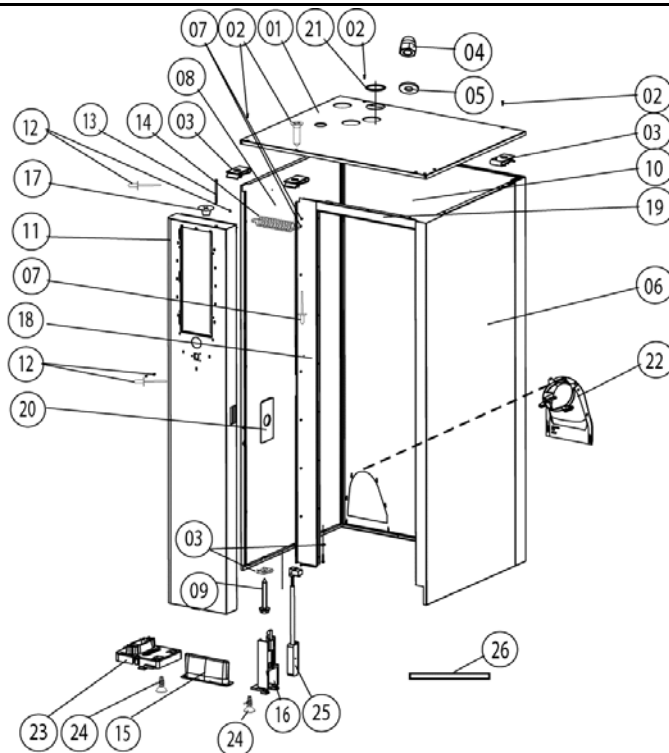
Item no.	Part no	Reference	Description
1	70.00.106		Premix disc gas
2	70.00.208		Disc premix chamber-blower RG148
3	70.00.220		Gas valve
4	70.00.108		Disc gas valve-premix chamber
5	70.00.260		Gas nozzle 7mm
6	70.00.261		O-ring 17x1.5



Item no.	Part no	Reference	Description
1	70.00.031		Gas valve
2	70.00.255		Premix chamber cover gas f. RG130
3	70.00.030		Premix chamber gas f. RG130
4	70.00.106		Premix disc gas
5	70.00.256		Disc premix chamber-blower RG130



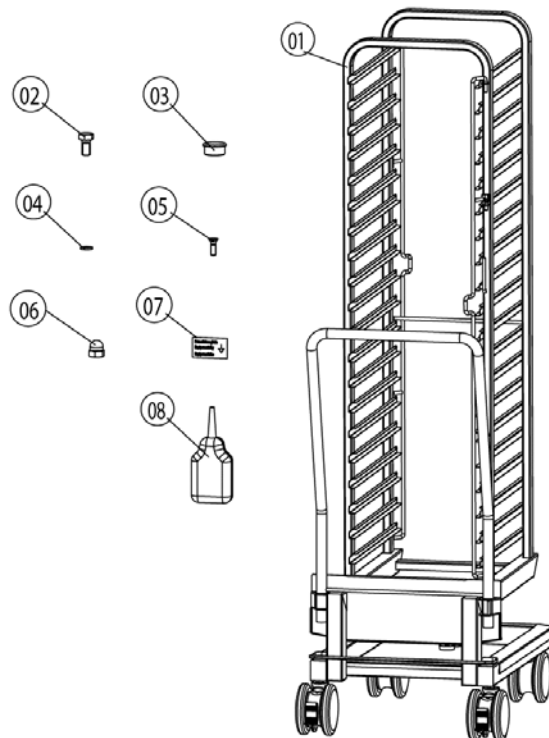
Item no.	Part no	Reference	Description
A	_16.00.378	►13.A	- P-Außenkasten CD 201/G 01/04
1	2039.0111		Foot adjustable, metal, 40 x 40
2	1603.0161		Rivet 3,2x6
3	8450.1310		Spacer ring
4	8455.1209		Vent cover
5	2022.0101		Grommet 18 mm
6	8700.0317		Floor fixing set
7	5006.0213		Glue for floor fixing brackets



Item no.	Part no	Reference	Description
1	16.00.334		Top cover
2	1003.2265		Countersunk self tapping screw 4,2x16
3	1104.0820		Snap nut 4.2mm
4	1105.0260		Cap nut M5, high shape
5	1305.0160		Washer A5,3 x 10 mm
6	16.00.142		Side panel right
7	1603.0166		Rivet 3.2x7,9, CNS closed
8	16.00.143		Side panel left
9	10.00.102		Hex self tapping screw 4,2x32
10	16.00.382		Back panel
11	16.00.373		Front panel
12	1603.0161		Rivet 3,2x6
13	10.00.069		Slotted pan head screw M6x90
14	2002.0107		Tension spring for front panel
15	16.00.673		Air inlet filter
16	16.00.384		Bracket for door contact switch
17	2039.0331		Cap for service door
18	16.00.358		Crossbar front panel
19	16.00.330		Crossbar top
20	16.00.115		Rosette
21	5105.1028		Gasket f. breather tube d=74mm
22	40.00.476		Exhaust channel
23	16.00.360		Cover f. RS232 interface
24	10.00.103		EJOT PT-screw KA 3.5x10
25	40.00.454		Door switch 1.65m
26	16.00.338		Edge protection profile

Attention! Individual parts shown might not be used in this component group!

► 15* Voltage depending parts shown in chapter 15



Item no.	Part no	Reference	Description
1	60.21.054		Mobile oven rack
2	1008.0760		Hex screw M8x16
3	10.00.357		Rubber plug black
4	1306.0120		Washer A6,4
5	10.00.448		Phillips countersunk-head screw M5x16
6	1106.0360		Cap nut M6, high shape
7	2049.0817		Sticker, Equipotential bonding
8	5006.0202		Loctite IS 495



CM 201 G

Valid as of up to

Gas unit

▶ **15 Voltage depending parts**

0

0 Voltage depending parts

Voltage 1 NAC 230V 50-60Hz

Item no.	Part no	Reference	Description
----------	---------	-----------	-------------

Attention! Individual parts shown might not be used in this component group!

▶ 15* Voltage depending parts shown in chapter 15



xxxx

0 xxxx

0

Elektrogeräte

▶ **0 xxxx**

0

Gültig von
xxxx

bis:
xxxx

Spannung: **xxxx**

Attention! Individual parts shown might not be used in this component group!

▶ 15* Voltage depending parts shown in chapter 15