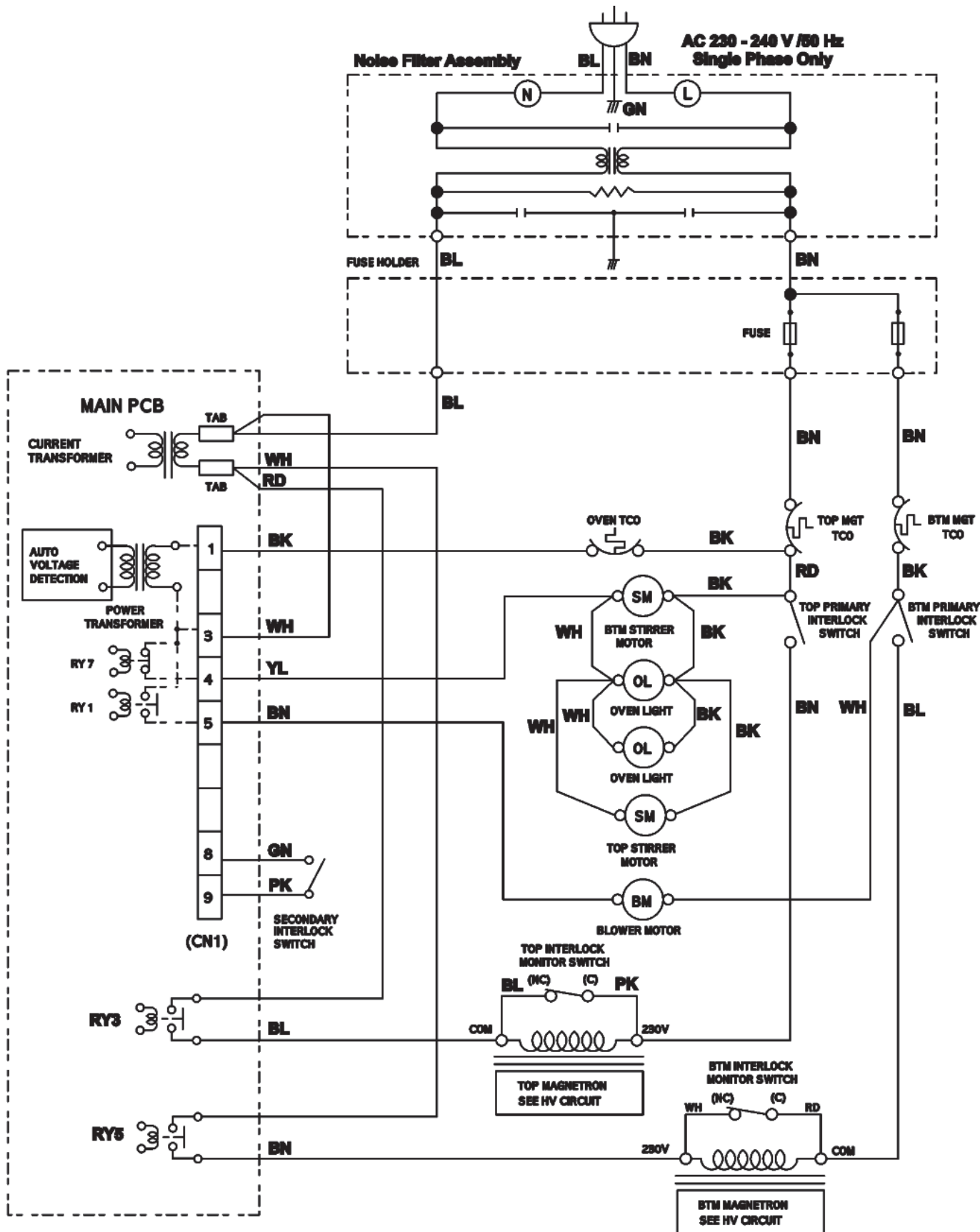


Seite	Pos	Kredtor Artikel Nr.	GB
001	001	53001609	SCREW
001	002	53001579	COVER, LAMP- SS
001	003	R0654036	SCREW, TRUSS HD S/TAP
001	004	53001577	WRAPPER- SS
001	005	R0654183	SCREW, TRUSS HD
001	006	R0131246	SCREW, TAPPING TRUSS HEAD
001	007	53001739	BACK-OVEN
001	008	59001235	SUCTION CUP- FOR TRAY REMOVAL
001	009	R0654180	SCREW, PAN HD
001	010	53001723	MOTOR, ANTENNA
001	011	53001554	RIVET ASSY
001	011	12002592	KIT, ANTENNA- TOP
001	012	53001554	RIVET ASSY
001	012	12002593	KIT, ANTENNA- BOTTOM
001	013	53001619	BRACKET, STACKING
001	014	53001555	TRAY, CERAMIC
002	001	53001647	PLATE, BASE
002	002	53001626	GASKET, BASE- SIDE
002	003	R0654030	SCREW, PAN HD S/TAP
002	004	53001627	GASKET, BASE- FRONT
002	005	53001628	COVER, BASE
002	006	R0131246	SCREW, TAPPING TRUSS HEAD
002	007	53001571	FILTER, AIR- W/THUMB SCREW
002	008	53001629	SCREW
003	001	53001543	CAP, TOP HINGE
003	002	53001572	COVER, CHOKE
003	003	13066801	WINDOW, INNER
003	004	53001778	WELD, INNER DOOR
003	005	53001826	OUTER DOOR ASSY
003	006	12002453	KIT, HANDLE
003	007	53001546	SCREW, HANDLE SIDE
003	008	53001547	SCREW, HANDLE BOTTOM
003	009	R0654030	SCREW, PAN HD S/TAP
003	010	53001779	LATCH
003	011	R0654180	SCREW, PAN HD
003	012	53001780	SPRING
003	013	R0131246	SCREW, TAPPING TRUSS HEAD
004	001	53001588	DUCT, GREASE SHIELD
004	002	53001610	GASKET
004	003	53001590	LAMP
004	004	53001591	LAMP SOCKET / BRACKET ASSY
004	005	R0131246	SCREW, TAPPING TRUSS HEAD
004	006	53001592	DUCT, EXHAUST- LEFT
004	007	R0654030	SCREW, PAN HD S/TAP
004	008	53001561	THERMAL CUTOUT- CAVITY
004	009	53001559	DUCT, OUTLET-TOP
004	010	R0654180	SCREW, PAN HD
004	011	53001560	THERMAL CUTOUT, MAG
004	012	53001600	SWITCH, INTERLOCK ASSY
004	013	R0654183	SCREW, TRUSS HD
004	014	R0654028	SCREW, BINING HD S/TAP
004	015	53001620	DEFLECTOR, AIR
004	016	53001740	FILTER BOARD
004	017	53001741	HOLDER-FILTER BOARD
004	018	R9800440	HOLDER, WIRING
004	019	53001621	COVER, POWER CORD
004	020	53001742	POWER CORD ASSY
004	021	53001594	MAGNETRON
004	022	53001744	BLOWER MOTOR ASSY
004	023	53001727	DUCT, MAG.
004	024	53001745	HARNESS, MAIN
004	025	R9800486	DIODE
004	026	53001666	FUSE 12 A
004	027	53001746	HOLDER, FUSE
004	028	53001728	BRACKET, CAPACITOR, FRONT
004	028	R0654028	SCREW, BINING HD S/TAP
004	029	53001747	CAPACITOR- .95
004	030	53001729	DUCT, EXHAUST- RIGHT
004	031	53001725	CABLE ASSY, CIRCUIT PROTECTOR

Seite	Pos	Kredtor Artikel Nr.	GB
004	032	R0654183	SCREW, TRUSS HD
004	032	53001724	BRACKET, CAPACITOR, BACK
004	033	53001748	TRANSFORMER, HV
004	033	R0131246	SCREW, TAPPING TRUSS HEAD
005	001	53001735	TOUCH PANEL
005	002	53001863	ESCUTCHEON / TOUCH PANEL ASSY
005	003	R0654178	SCREW, SPECIAL D
005	004	53001738	BOARD, HV/LV
005	005	R0654030	SCREW, PAN HD S/TAP

BEFORE SERVICING Discharge the high voltage capacitor by shorting the negative high voltage terminal of it to chassis ground.



NOTE:
1. DOOR IS OPENED.
2. WIRE COLOR.

SYMBOL	COLOR
BN	BROWN
WH	WHITE
BK	BLACK
BL	BLUE
YL	YELLOW
PK	PINK
RD	RED
GN	GREEN

HV CIRCUIT (2 PLACES)

