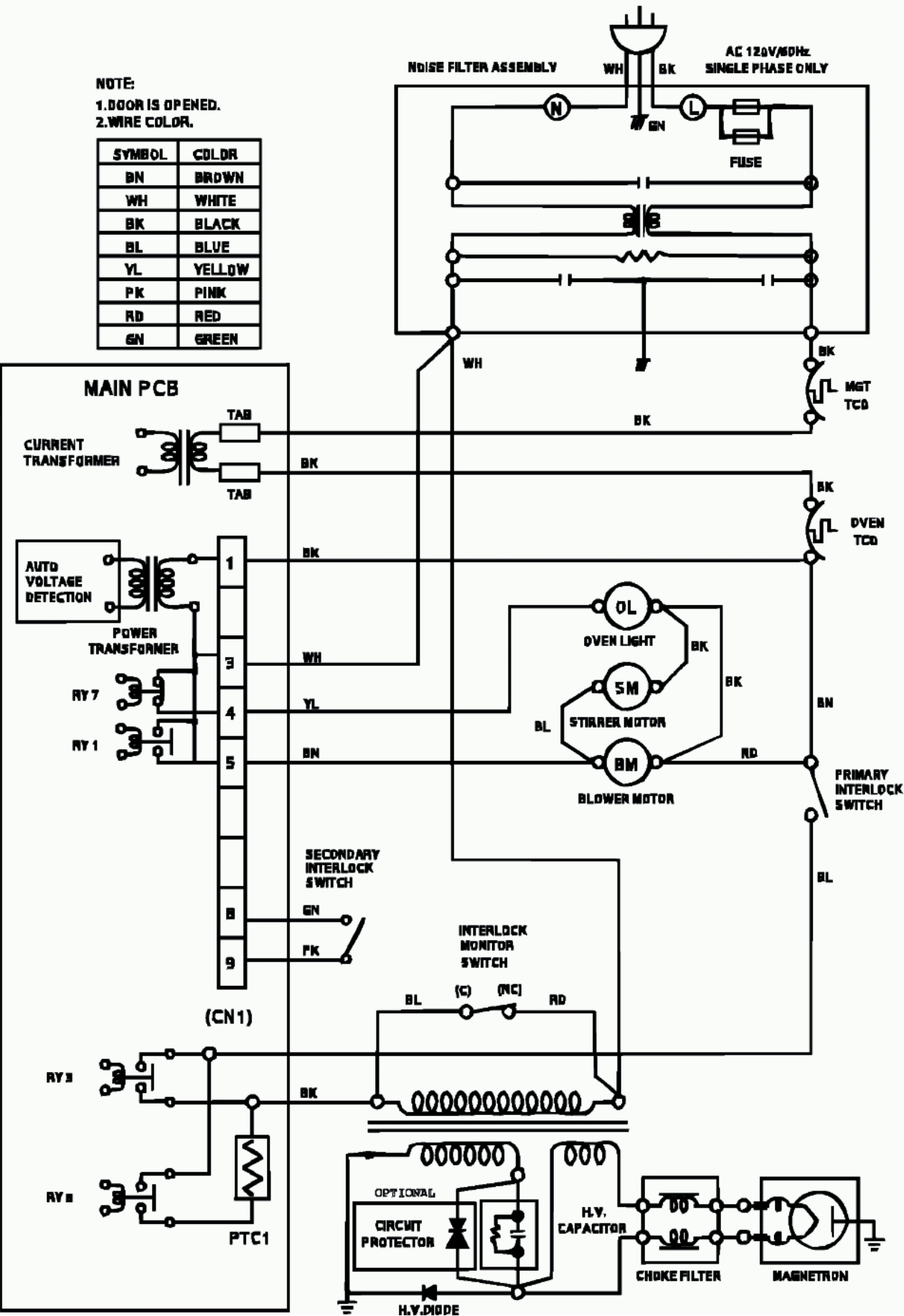


Seite	Pos	Kredtor Artikel Nr.	GB
001	001	R0654183	SCREW, TRUSS HD
001	002	R0654036	SCREW, TRUSS HD S/TAP
001	003	53001577	WRAPPER- SS
001	004	53001579	COVER, LAMP- SS
001	005	53001609	SCREW
001	006	53001551	PANEL, BACK
001	007	A3263903	GASKET
001	008	R0654180	SCREW, PAN HD
001	009	59001625	MOTOR, ANTENNA
001	010	12002451	KIT, ANTENNA - W/RIVETS
001	011	53001554	RIVET ASSY
001	012	53001555	TRAY, CERAMIC
001	013	R0131246	SCREW, TAPPING TRUSS HEAD
001	014	59001235	SUCTION CUP- FOR TRAY REMOVAL
001	015	53001619	BRACKET, STACKING
002	001	53001625	PLATE, BASE- W/COVER & GASKETS
002	002	53001626	GASKET, BASE- SIDE
002	003	R0654036	SCREW, TRUSS HD S/TAP
002	004	53001627	GASKET, BASE- FRONT
002	005	53001628	COVER, BASE
002	006	R0131246	SCREW, TAPPING TRUSS HEAD
002	007	53001571	FILTER, AIR- W/THUMB SCREW
002	008	53001629	SCREW
003		53001543	CAP, TOP HINGE
003	002	53001572	COVER, CHOKE
003	003	13066801	WINDOW, INNER
003	004	53001778	WELD, INNER DOOR
003	005	53001826	OUTER DOOR ASSY
003	006	12002453	KIT, HANDLE
003	007	53001547	SCREW, HANDLE BOTTOM
003	007	53001546	SCREW, HANDLE SIDE
003	009	R0654030	SCREW, PAN HD S/TAP
003	010	53001779	LATCH
003	011	R0654180	SCREW, PAN HD
003	012	53001780	SPRING
003	013	R0131246	SCREW, TAPPING TRUSS HEAD
004	001	53001661	HARNESS, MAIN
004	002	53001556	ANTENNA SHIELD
004	003	A3263903	GASKET
004	004	53001590	LAMP
004	005	53001591	LAMP SOCKET / BRACKET ASSY
004	006	R0654030	SCREW, PAN HD S/TAP
004	007	53001817	THERMAL CUTOUT, CAVITY
004	008	R0131246	SCREW, TAPPING TRUSS HEAD
004	009	53001559	DUCT, OUTLET-TOP
004	010	R0131307	NLA- SCREW, TAPPING,PAN HEAD
004	011	53001643	BRACKET, THERMOSTAT
004	012	R0654183	SCREW, TRUSS HD
004	013	53001620	DEFLECTOR, AIR
004	014	53001818	POWER CORD
004	015	R0654028	SCREW, BINING HD S/TAP
004	016	53001621	COVER, POWER CORD
004	017	53001563	DUCT, MAIN
004	018	53001462	SCREW, PAN HEAD
004	019	M0805105	FUSE-12A
004	020	53001667	FILTER ASSEMBLY, NOISE
004	021	R9800440	HOLDER, WIRING
004	022	53001601	SWITCH, INTERLOCK ASSY
004	023	53001581	MAGNETRON
004	024	53001622	BRACKET
004	025	53001663	BRACKET, CAPACITOR
004	026	59001171	CAPACITOR- 1.20
004	027	53001583	DIODE
004	028	53001668	NLA- HARNESS, TRANSFORMER PRIMARY
004	029	53001819	TRANSFORMER, HV
004	030	53001568	BASE, TRANSFORMER
004	031	53001670	BLOWER MOTOR ASSY
004	032	53001570	GUIDE, AIR
004	033	R9900542	THERMAL CUTOUT, MAG

Seite	Pos	Kreditor Artikel Nr.	GB
004	034	53001725	CABLE ASSY, CIRCUIT PROTECTOR
004	035	53002066	CAPACITOR
004	036	53002067	BRACKET, CAPACITOR
004	037	53002068	INSULATOR
004	038	53001210	DIODE
005	001	53001735	TOUCH PANEL
005	002	53001824	ESCUTCHEON / TOUCH PANEL ASSY
005	003	R0654178	SCREW, SPECIAL D
005	004	53001659	BOARD, HV/LV
005	005	53001462	SCREW, PAN HEAD

NOTE:
1. DOOR IS OPENED.
2. WIRE COLOR.

SYMBOL	COLOR
BN	BROWN
WH	WHITE
BK	BLACK
BL	BLUE
YL	YELLOW
PK	PINK
RD	RED
GN	GREEN



IMPORTANT SAFETY NOTE: THE SHADED AREAS ON THIS SCHEMATIC DIAGRAM INCORPORATE SPECIAL FEATURES IMPORTANT FOR PROTECTION FROM MICROWAVE RADIATION/ELECTRICAL SHOCK, AND HAZARDS. WHEN SERVICING IT IS ESSENTIAL THAT ONLY MANUFACTURER'S SPECIFIED PARTS BE USED FOR THE CRITICAL COMPONENTS IN THE SHADED AREAS OF THE SCHEMATIC DIAGRAM.

NOTICE: SINCE THIS IS BASIC SCHEMATIC DIAGRAM, THE VALUES OF COMPONENTS AND SOME PARTIAL CONNECTIONS ARE SUBJECT TO CHANGE FOR IMPROVEMENT.