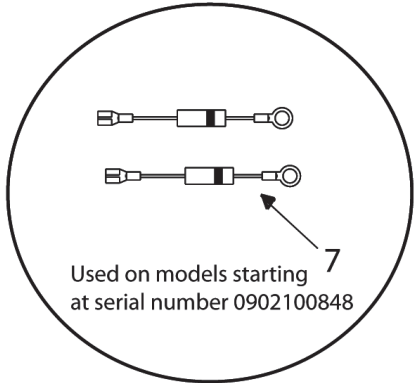
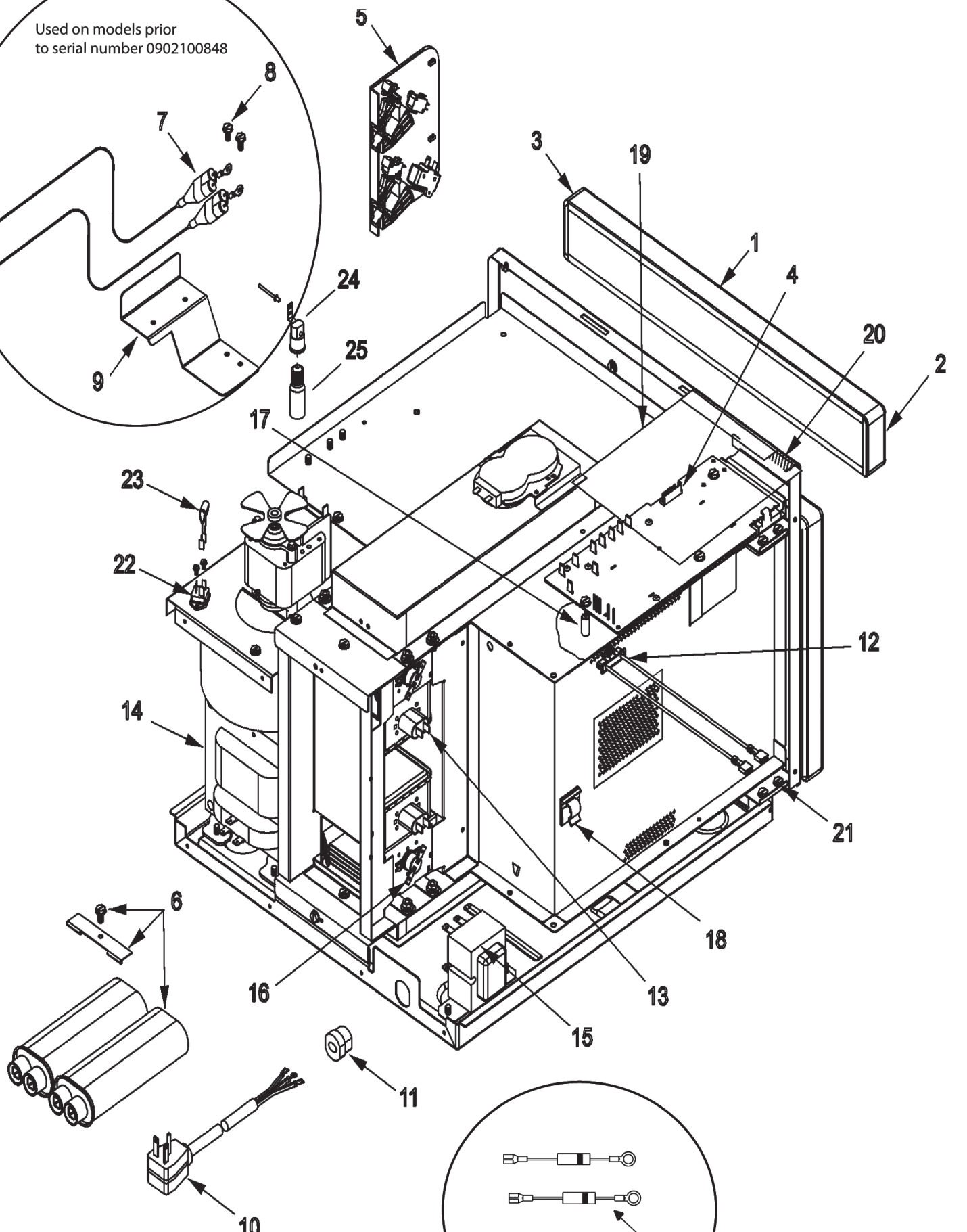
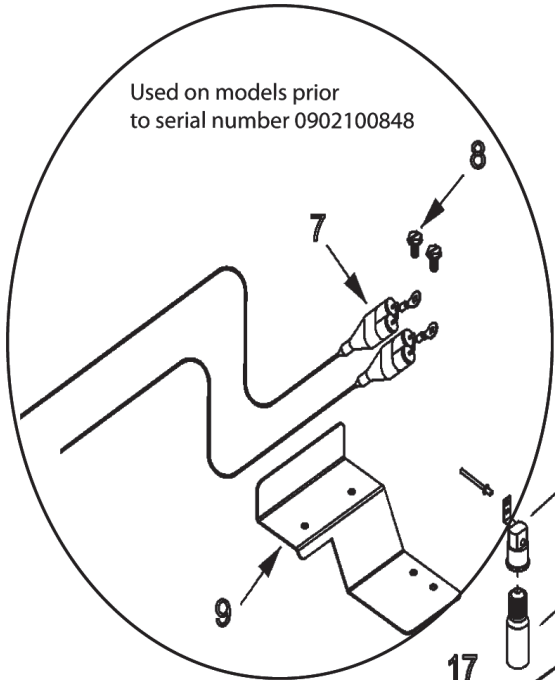
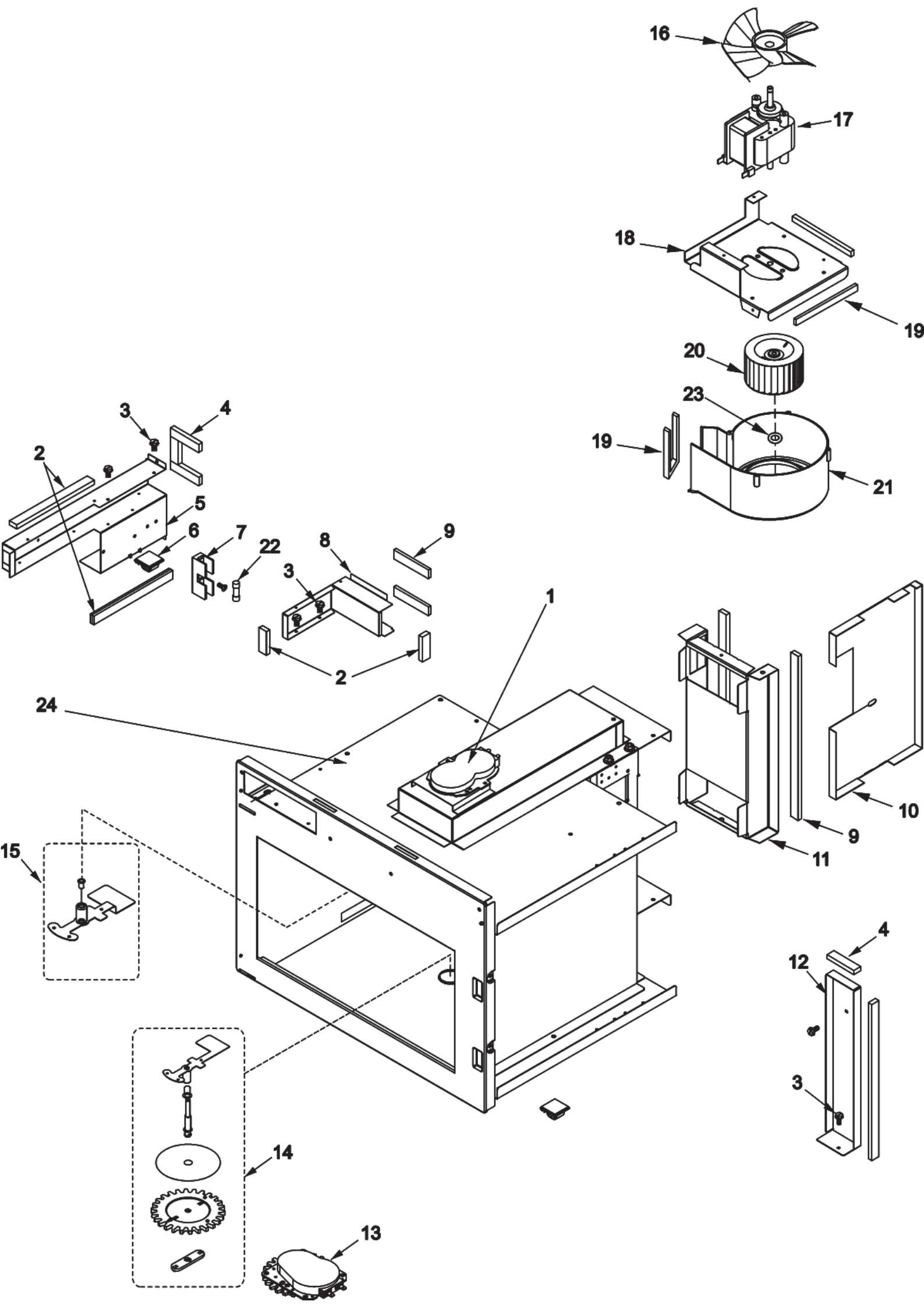
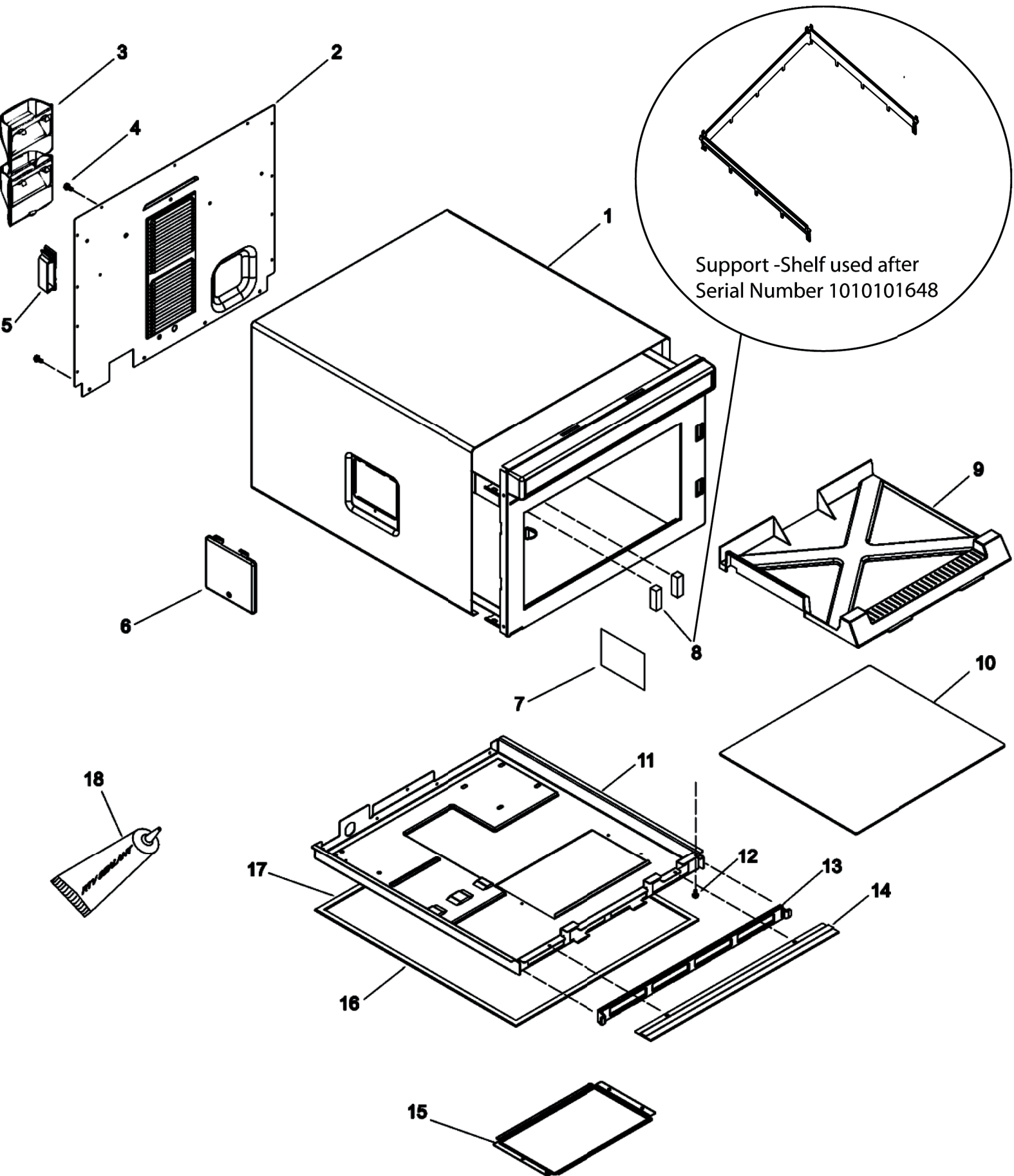


Used on models prior to serial number 0902100848



Used on models starting at serial number 0902100848





Seite	Pos	Kredtor Artikel Nr.	GB
001	001	R0150148	INNER DOOR ASSY
001	002	12526201	LINKAGE-DOOR LATCH
001	003	M0230815	SCREW
001	004	M0274066	WASHER-NYLON
001	005	M0272503	WASHER, #6 LOCK
001	006	12472202	DOOR RING WELD-E CT
001	007	10966601	GASKET-NEOPRENE
001	008	12126805	TOP HINGE PLATE WELD
001	009	5210001001	WASHER-NYLON SHOULDER
001	010	12126806	BOTTOM HINGE PLATE WELD
001	011	R0150147	RETAINER, LENS
001	012	12133804	WINDOW, OUTER
001	013	12210804	ABSORBER-ENERGY
001	014	M0230518	SCREW, TC
001	015	R9900567	DOOR, OUTER
001	016	12133901	HANDLE-DOOR
001	017	12210803	ABSORBER-ENERGY
001	018	12114401	BRKT-DOOR LATCH WSH
001	019	C8893502	SPRING-DOOR LATCH
001	020	12992307	SCREW-TF/HEX RoHS
001	021	M0800501	SPACER
001	022	12127001	PIN, LATCH
001	023	12126901	LATCH-DOOR
002	001	R9900111	TOUCH PANEL ASSY
002	001	M0216517	SCREW
002	002	12131001	ENDCAP-ESC RIGHT
002	003	12131002	ENDCAP-ESC LEFT
002	004	M0227333	SCREW, TC
002	004	R0131389	KIT, HV/LV BOARD
002	005	M0237906	SCREW- HI-LO
002	005	12538901Q	SWITCH, INTERLOCK ASSY
002	006	59001160	CAPACITOR- .69
002	006	M0216515	SCREW
002	006	12132501	STRAP-CAPACITOR
002	007	R9800022	KIT, DIODE
002	008	12991101	SCREW-SM/KNIFE RoHS
002	009	12529501	BRKT-DIODE
002	009	M0216515	SCREW
002	010	59001672	POWER CORD
002	011	M0370003	RELIEF-STRAIN
002	012	M0234422	SCREW
002	012	59001667	THERMAL CUTOUT
002	013	D7831007	MAGNETRON-2M229K
002	014	M0251028	SCREW, T.C.
002	014	12136107	TRANSFORMER, HV
002	016	B5684121	THERMAL CUTOUT
002	016	M0229916	SCREW-TC
002	017	M0308801	CAP-SCREW
002	018	M0104106	CLIP-CORD
002	019	12160602	SHIELD-SPILL
002	020	M0275163	TAPE-TRANSFER (ROLL)
002	021	M0253540	SCREW, TC
002	022	R0157373	KIT, TRIAC
002	022	M0216515	SCREW
002	023	10172901Q	SNUBBER ASSY
002	024	R9900584	KIT, RECEPTACLE
002	025	A3073101	LAMP-25W
003	001	R0150186	KIT, ANTENNA MOTOR

003	002	M0275058	TAPE-FOAM (ROLL)
003	003	M0216515	SCREW
003	004	A3030302	GASKET
003	006	M0104106	CLIP-CORD
003	007	M0216515	SCREW
003	007	10091101	BLOCK-FUSE
003	008	12135704	DUCT, CAVITY EXHAUST
003	009	10966607	GASKET-NEOPRENE
003	010	12134101	DIVIDER, FLOW
003	011	R0150161	DUCT ASSY
003	012	12525701	BARRIER-AIR
003	013	R9900667	KIT, ANTENNA MOTOR- BOTTOM
003	014	R9900585	KIT, ANTENNA- BOTTOM
003	015	R0150185	KIT, ANTENNA- TOP
003	016	B5706704	BLADE, FAN
003	017	12138102	MOTOR, BLOWER
003	018	12271103	BRKT-BLOWER WSH
003	019	59002162	GASKET, PER FT
003	020	12138201	WHEEL, BLOWER
003	021	12138302	SCROLL, BLOWER
003	022	M0805201	FUSE-25A
003	023	M0118901	CLIP
003	024	12002682	KIT, CAVITY- HDC12A
004	001	12408501	WRAPPER-OC
004	002	12296804	ACCESS PANEL-E CT
004	004	M0216703	SCREW
004	005	M0118705	NLA- CLIP-GUIDE
004	006	M0274072	NLA- SPACER-RUBBER
004	006	10785608	COVER-LIGHT
004	006	M0249632	SCREW, T F
004	007	R9900114	KIT, WINDOW
004	008	12496801	SUPPORT-SHELF
004	009	12126601	ANTENNA SHIELD
004	010	R0150144	KIT, CERAMIC TRAY W/SEALER
004	011	R0000036	BASE PAN ASSY
004	012	12991101	SCREW-SM/KNIFE RoHS
004	013	59001659	FILTER, AIR
004	014	M0210816	NLA- SCREW, SM
004	014	12131301	TRIM
004	015	12486002	BASE COVER-E CT
004	015	M0216515	SCREW
004	016	59001643	GASKET, BASEPAN- CUT
004	017	59001642	GASKET, BASEPAN- CUT
004	018	M0275598	SEALER
		RT2240005	TECH SHEET-COMM'L MICRO **NO
		59001689	HARNESS, WIRE
		59001661	HARNESS, HV
		12485601	HARNESS, LW ANTENNA
		12155701	LABEL-MENU

120V 60HZ  
3-WIRE

SCHEMATIC  
CONDITION:  
DOOR OPEN

