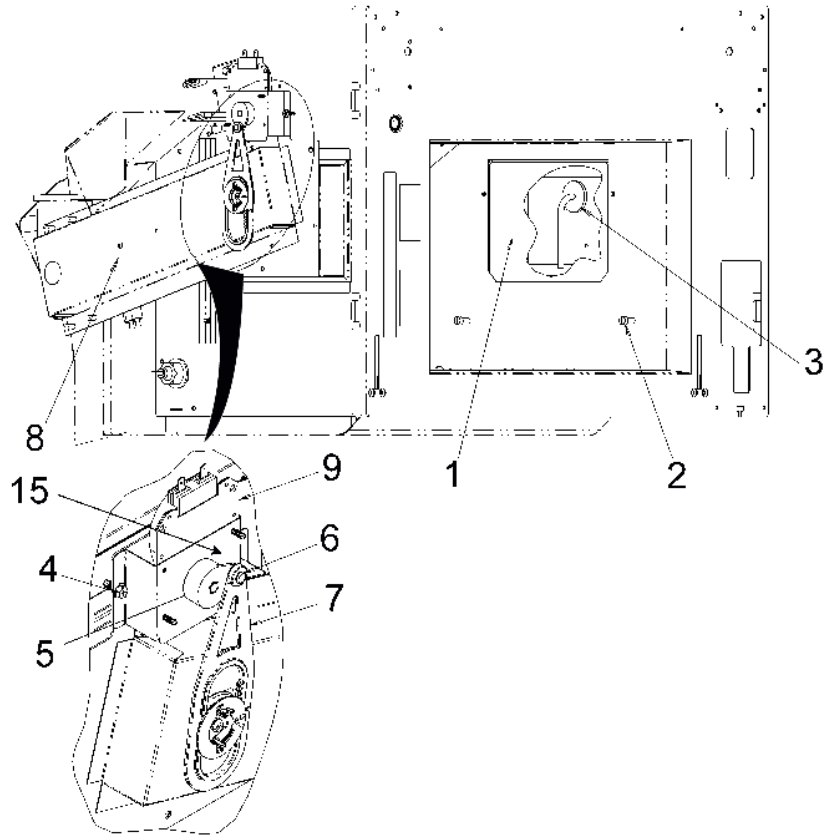
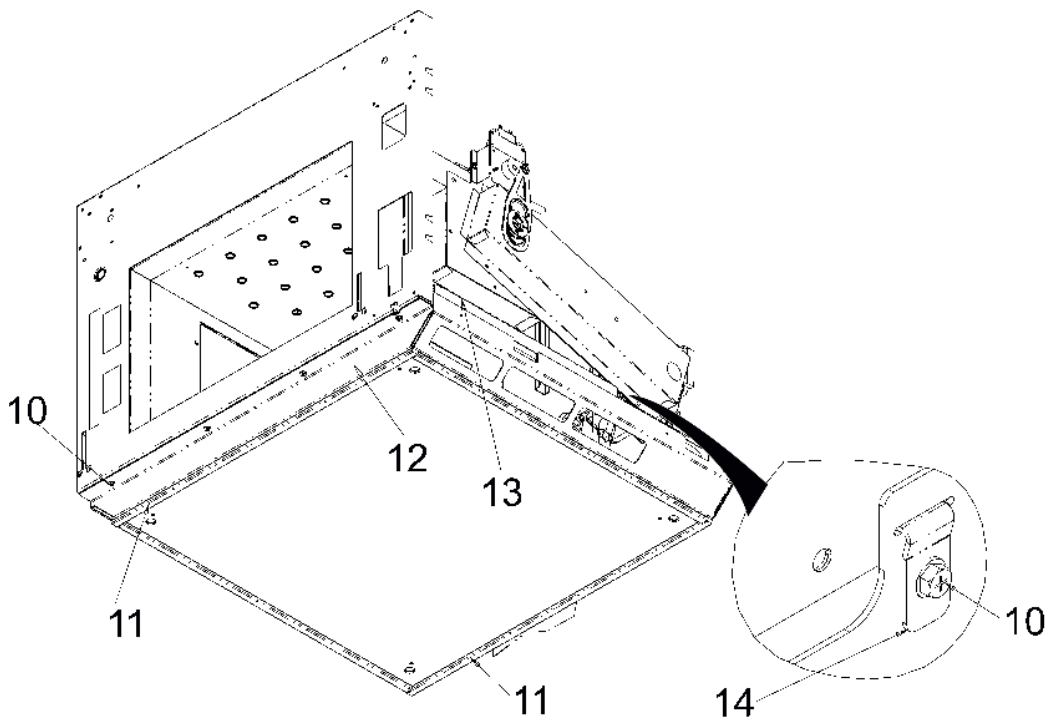


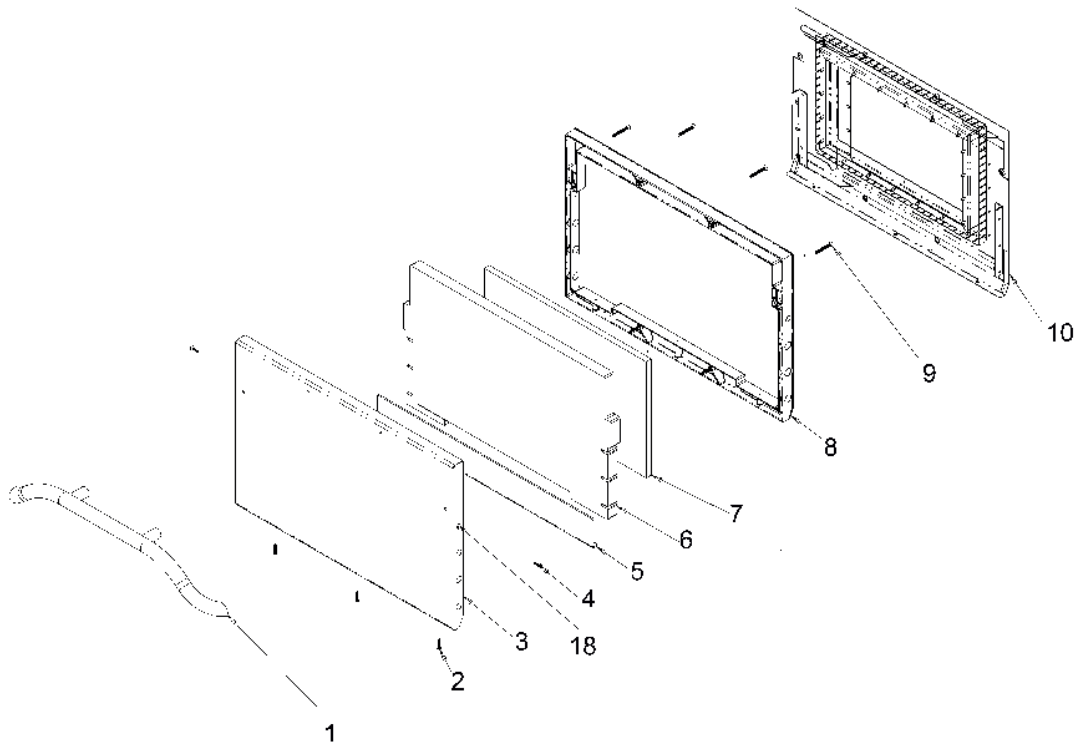
# ANTENNA



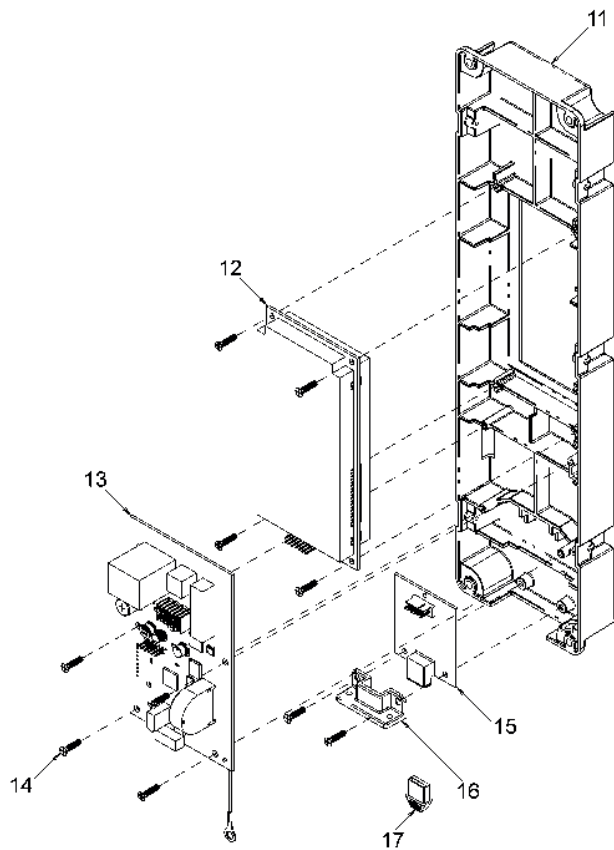
# BASEPAN



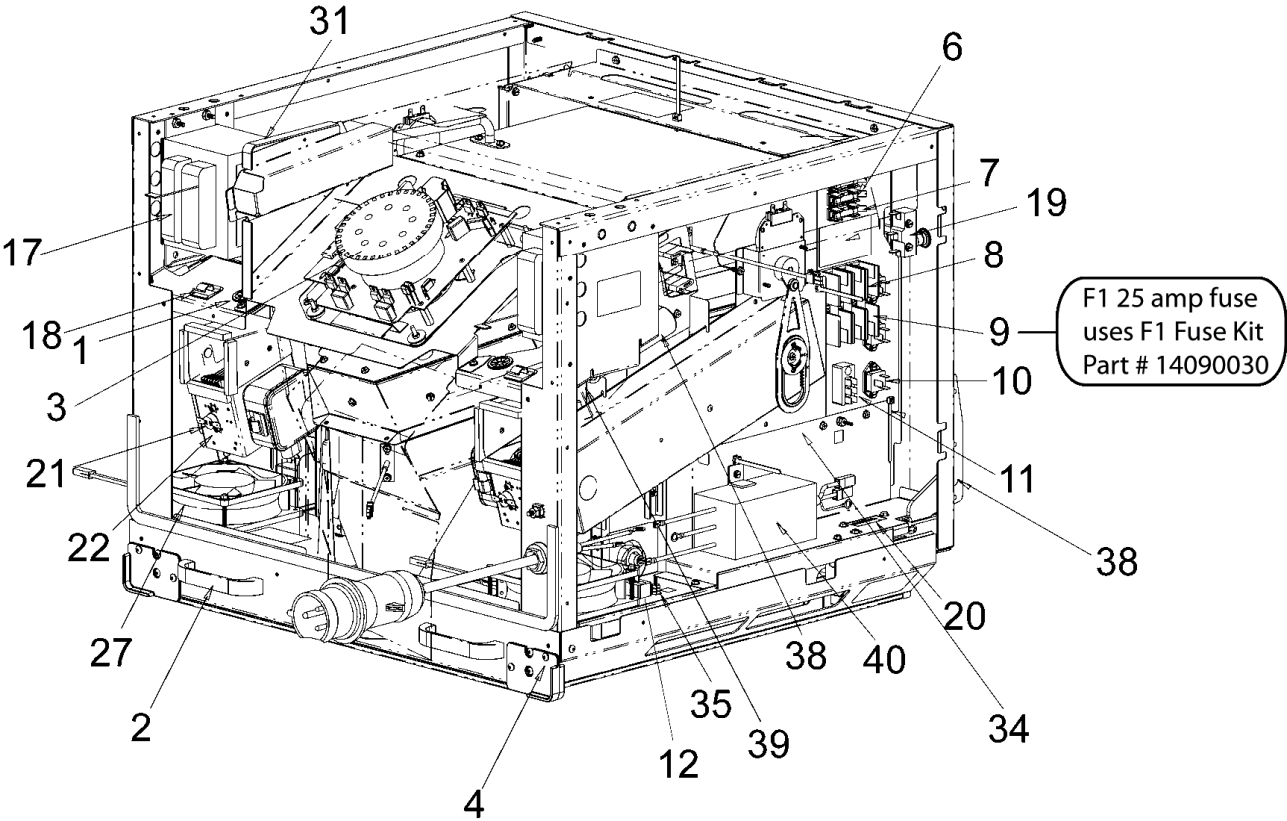
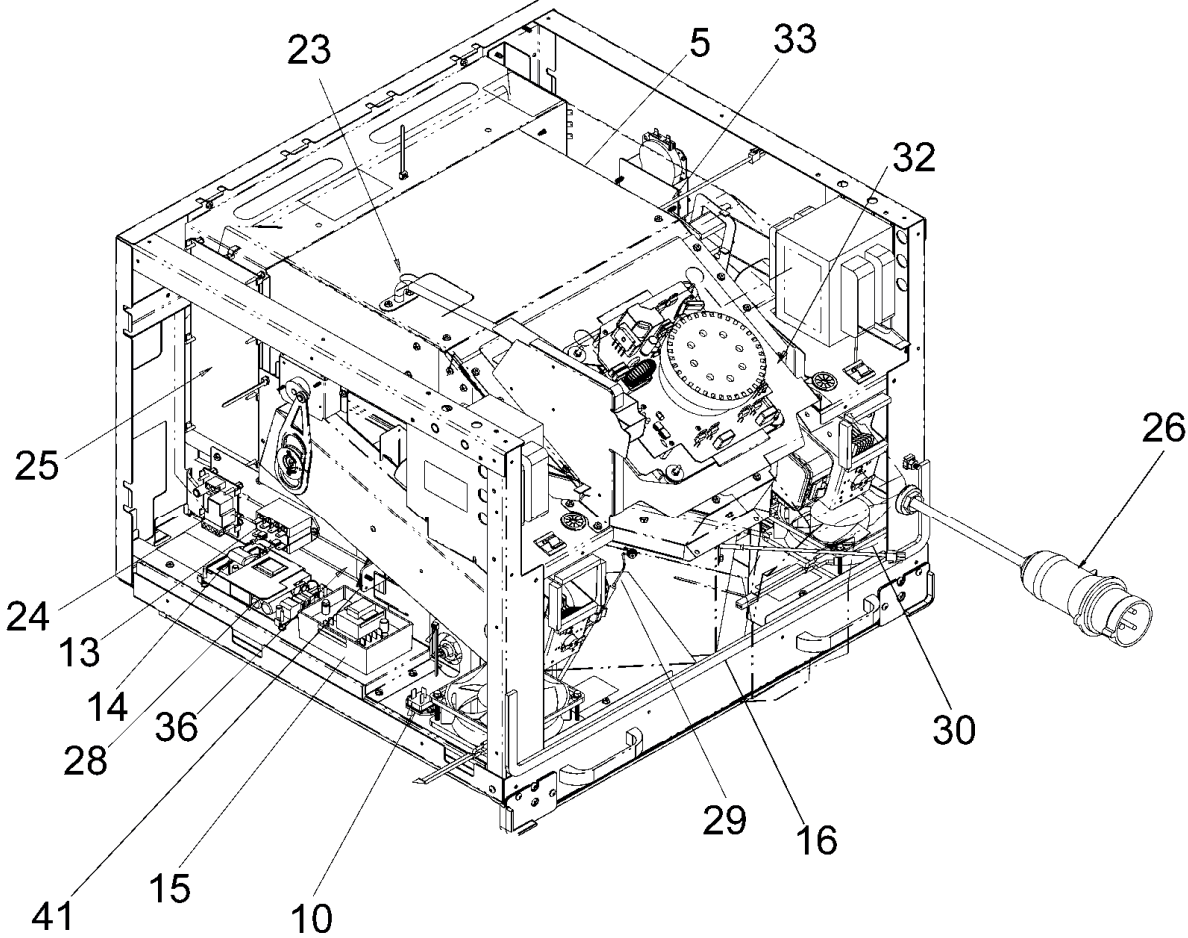
# DOOR ASSEMBLY



# CONTROL ASSEMBLY

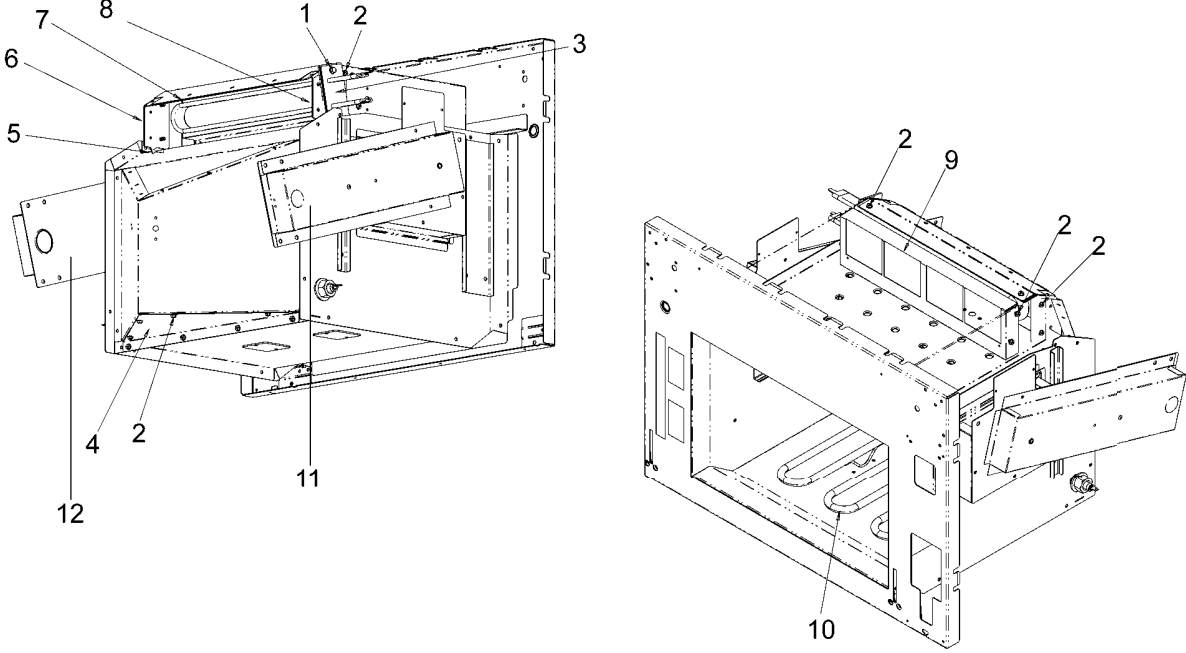


# ELECTRICAL, SWITCHES, CONVECTION BLOWER

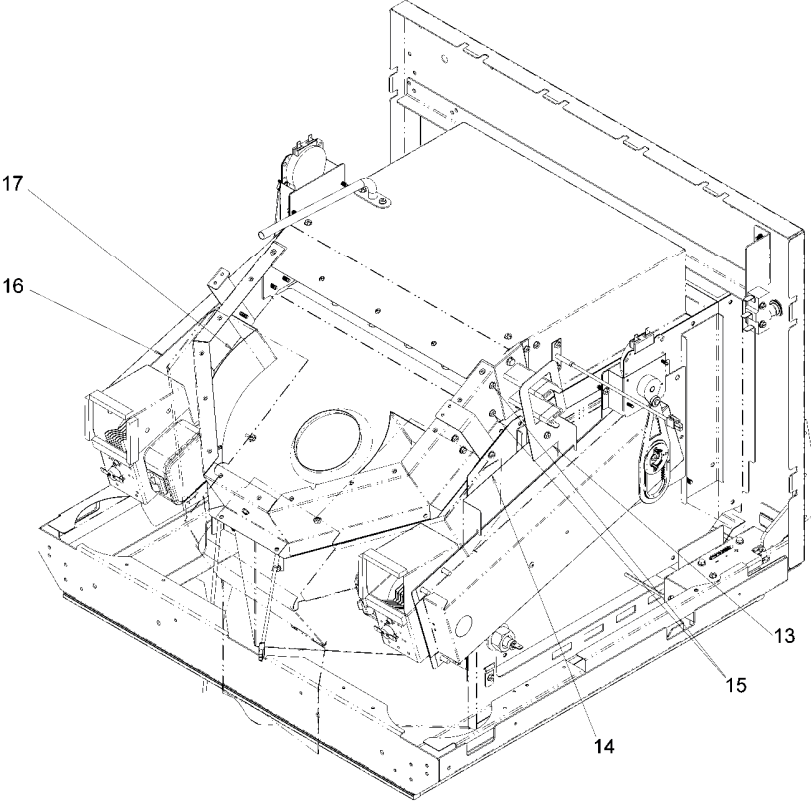


F1 25 amp fuse  
uses F1 Fuse Kit  
Part # 14090030

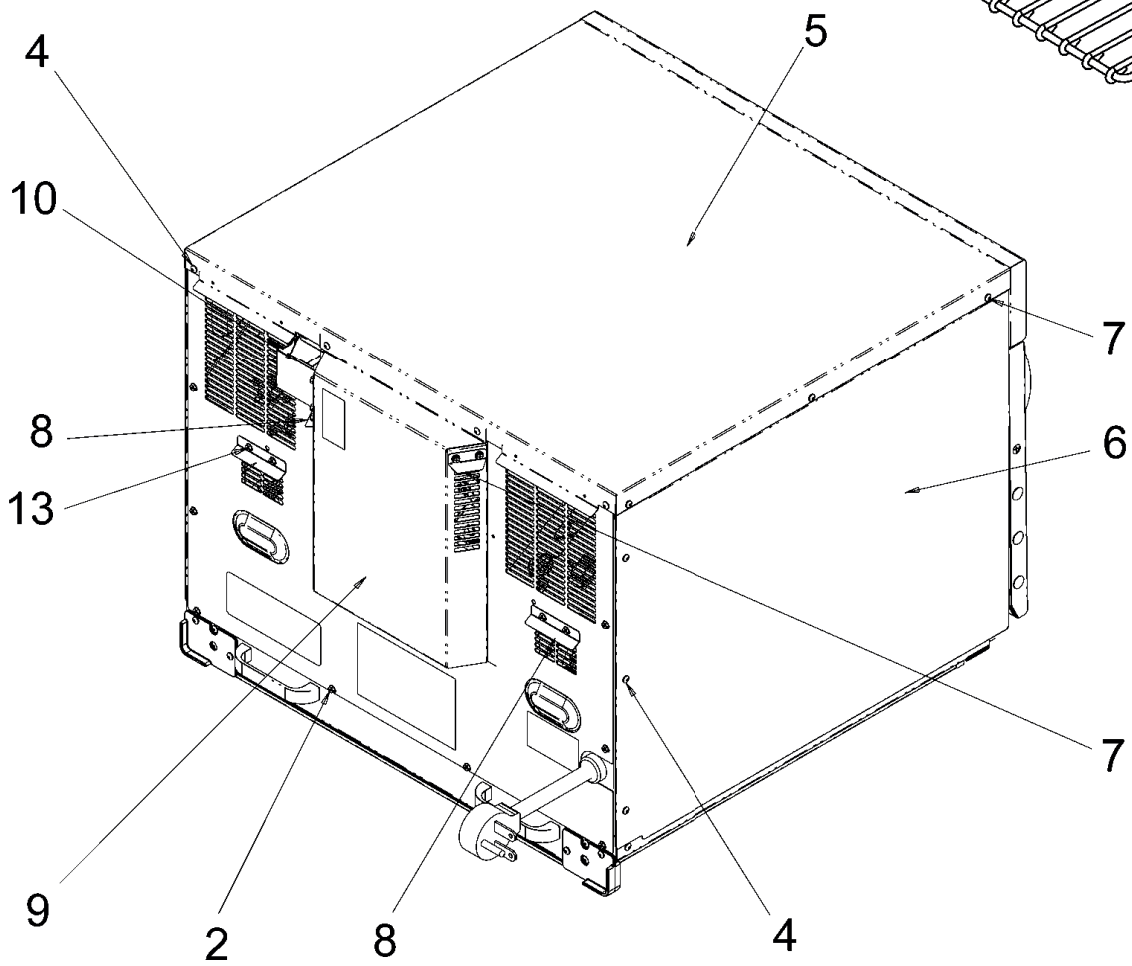
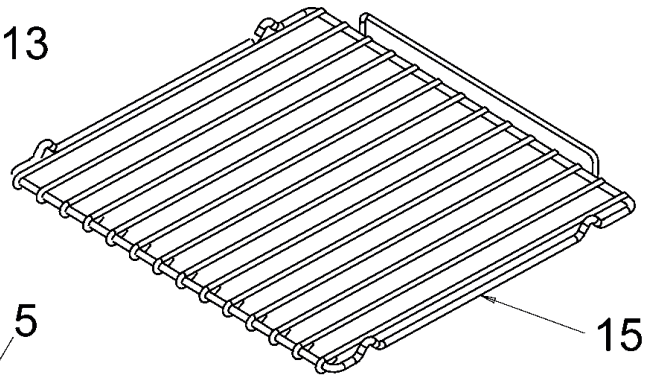
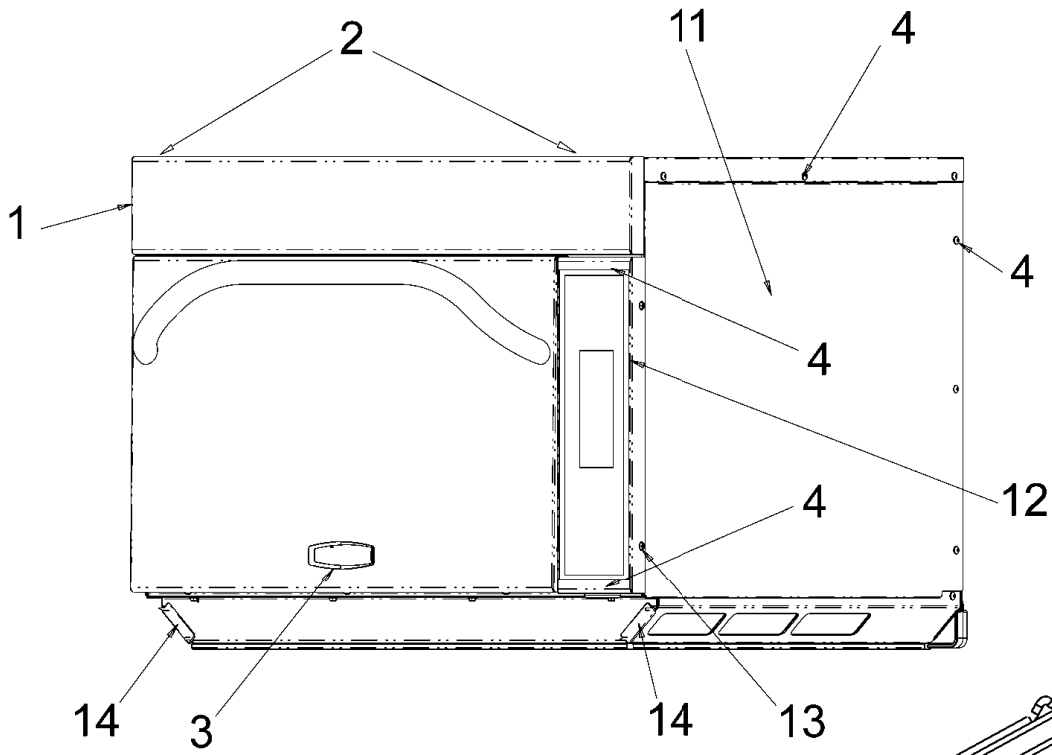
# HEATERS / WAVEGUIDES



# FAN BOX



# OUTERCASE



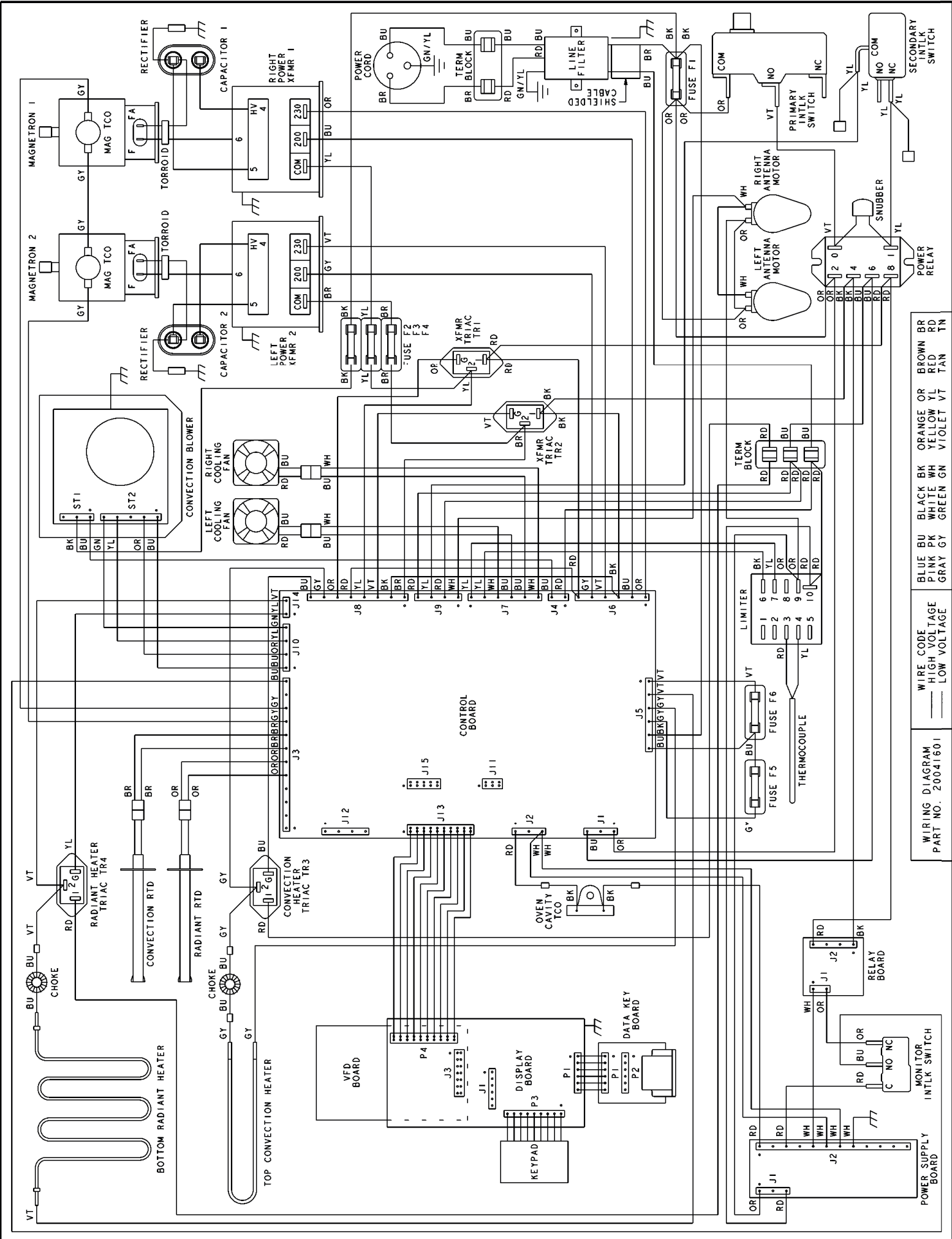
Seite	Pos	Kredtor Artikel Nr.	GB
001	001	14114052	KIT, STIRRER COVER
001	002	13079101	SCREW-MACH/SHLD RoHS
001	003	14114053	KIT, ANTENNA & STIRRER COVER
001	004	12991605	SCREW
001	005	12002872	KIT, CAM (FOR ANTENNA MOTOR)
001	006	13083701	RIVET, NYLON
001	007	12002867	KIT, GEAR & RACK
001	008	14080001	KIT, TUNING STUB - AXP
001	009	12002873	KIT, STIRRER MOTOR
001	010	12991605	SCREW
001	011	R0000413	GASKET, BASEPAN - 90 in (228 cm)
001	012	59004037	BASEPAN & GASKET ASSY
001	013	13097801	INSUL-HINGE
001	014	13072801	KEY-CAVITY EXPANSION
001	015	21006802	BRKT-ANTENNA MOTOR
002	000	13087401	HARNESS-DATA KEY
002	001	59002142	HANDLE, DOOR
002	002	13041503	SCREW-TR/PAN RoHS
002	003	14080015	KIT, OUTER DOOR
002	004	13083601	SCREW-HI LO/FLAT RoHS
002	005	13096101	INSUL-OUTER DOOR
002	006	20025401	INSUL-DOOR
002	007	13094201	INSUL-DOOR CHOKE
002	008	13074201	SPACER-DOOR
002	009	13047403	SCREW-TC/FLAT RoHS
002	010	14080014	KIT, INNER DOOR
002	010	12991602	SCREW-TC/HEX RoHS
002	011	59114152	TOUCH PANEL ASSY
002	012	59114156	BOARD, VFD
002	013	59114161	BOARD, DISPLAY
002	014	20021702	SCREW-SM/FLAT
002	015	20049801	BOARD, USB- SEE BULLETIN TCM-0081-B
002	016	20049901	BRKT-USB COVER
002	017	20070101	PLUG-USB PORT
002	018	13098801	PLUG, HOLE
003	000	M0322202	TIE-WIRE
003	001	M0571003	BUSHING-SNAP
003	002	13095701	HANDLE, BASEPAN
003	002	12991606	SCREW-TC/HEX RoHS
003	003	59002076	CONVECTION MOTOR ASSY
003	003	13077801	GASKET, CONV BLOWER
003	003	12991609	SCREW-TC/HEX
003	004	13074001	SCREW-TC/PAN TORX RoHS
003	004	13086601	BARRIER, RECIRCULATION
003	005	13084601	INSUL-TOP/SIDES CAVITY
003	005	M0275089	TAPE-DUCT
003	006	13042202	SCREW-TR/ROUND RoHS
003	006	59001682	BLOCK, FUSE- 3 POLE
003	007	M0805105	FUSE-12A
003	008	12992302	SCREW-TF/HEX RoHS
003	008	10091101	BLOCK-FUSE
003	009	M0805201	FUSE-25A
003	009	14090030	KIT, F1 FUSE- AXP & MXP
003	010	12992302	SCREW-TF/HEX RoHS
003	010	59002026	TRIAC (40A)
003	011	13042202	SCREW-TR/ROUND RoHS
003	011	B5677215	BLOCK, TERMINAL
003	012	B5677214	BLOCK - TERMINAL
003	012	13042202	SCREW-TR/ROUND RoHS
003	013	13042202	SCREW-TR/ROUND RoHS
003	013	59001981	RELAY
003	014	59002017	SNUBBER ASSY
003	015	59002133	LIMITER, ELECTRONIC
003	015	12990512	SCREW-SM/HEX RoHS
003	016	59004077	GASKET, PER FT
003	017	12991605	SCREW
003	017	59004041	TRANSFORMER, HV
003	018	M0104106	CLIP-CORD
003	019	59002121	SWITCH, PRIMARY INTERLOCK

Seite	Pos	Kreditor Artikel Nr.	GB
003	020	12991605	SCREW
003	020	59002122	INTERLOCK SWITCH ASSY
003	021	M0229916	SCREW-TC
003	021	B5684130	THERMAL CUTOUT
003	022	59002162	GASKET, PER FT
003	022	13083201	DUCT, MAGNETRON
003	022	59001484	MAGNETRON
003	023	13078001	VENT, CAVITY STEAM
003	023	12991609	SCREW-TC/HEX
003	024	59002117	BOARD, RELAY MONITOR
003	024	12990512	SCREW-SM/HEX RoHS
003	025	12990522	SCREW-SM/HEX RoHS
003	025	59004108	BOARD, MAIN CONTROL
003	025	M0590602	SUPPORT
003	026	12674204	POWER CORD
003	026	M0370011	RELIEF-STRAIN
003	027	59002132	MOTOR, FAN (24V DC)
003	027	12990515	SCREW-SM/HEX RoHS
003	028	59002118	BOARD, POWER SUPPLY (24V DC)
003	028	M0590602	SUPPORT
003	029	59002131	THERMOCOUPLE
003	030	59001709	SENSOR, TEMP
003	030	12991609	SCREW-TC/HEX
003	031	M0275058	TAPE-FOAM (ROLL)
003	032	13081001	INSUL RETAINER WELD
003	033	12990524	SCREW-SM/HEX RoHS
003	034	12991605	SCREW
003	034	13082802	PLATE-LH FRNT PARTITION
003	035	M0293511	STUD 6
003	036	12991605	SCREW
003	036	13097601	PLATE-RH FRNT PARTITION
003	037	59004080	HINGE
003	037	13074001	SCREW-TC/PAN TORX RoHS
003	037	13087001	SEAL-HINGE
003	038	12990524	SCREW-SM/HEX RoHS
003	038	59001168	CAPACITOR- 1.00
003	038	A4055405	STRAP-CAPACITOR
003	039	13091701	DIODE
003	039	12990524	SCREW-SM/HEX RoHS
003	040	12930001	FILTER, LINE
003	041	B5795317	THERMAL CUTOUT, CAVITY
004	001	12992403	SCREW-TR/HEX
004	002	12991609	SCREW-TC/HEX
004	003	59002125	ELEMENT, CONVECTION-TOP
004	004	13072301	BOTTOM-RETURN PLENUM
004	005	13077701	GASKET-PLENUM NOZZLE
004	006	21005001	PLATE-R PLENUM
004	007	13076401	PLATE-PLENUM TOP
004	008	21004901	PLATE-L PLENUM
004	009	13076301	CONVERTER - CATALYTIC
004	010	12002874	KIT, BOTTOM ELEMENT
004	011	14119054	KIT, WAVEGUIDE LEFT
004	012	14119055	KIT, WAVEGUIDE RIGHT
004	013	13096701	RETAINER-INSUL
004	014	13087602	DUCT-LH
004	015	12991609	SCREW-TC/HEX
004	016	13087102	DUCT-RH
004	017	13077901	GASKET-PLENUM RETURN
005	001	13098502	ESCUTCHEON- TOP
005	002	12991605	SCREW
005	003	13079803	NAMEPLATE-AXP
005	004	13074001	SCREW-TC/PAN TORX RoHS
005	005	59002136	OUTER PANEL, TOP
005	006	59002137	OUTER PANEL, RIGHT SIDE
005	007	13086001	CAP-SUMP DRIP
005	008	13082601	CAP-MAG DRIP
005	009	13081902	BACK, OUTERCASE
005	010	13086801	HOOD-EXHAUST
005	011	59002138	OUTER PANEL, LEFT SIDE

Seite	Pos	Kreditor Artikel Nr.	GB
005	012	20071901	ESCUTCHEON-CONTROL
005	013	13042001	SCREW-TF/OVAL RoHS
005	014	59002139	FILTER, AIR
005	015	59002140	RACK, OVEN
		20033601	HARNESS-OVEN
		13017713	WIRE, JUMPER - MAG FA TO CAP
		13087301	HARNESS, CTRL BD TO FLTR BD
		13087401	HARNESS-DATA KEY
		20025101	CHOKE FILTER RING
		12696201	HARNESS, HV



# WIRING DIAGRAM



WIRING DIAGRAM PART NO. 20041601	WIRE CODE	WIRE COLOR
	—	HIGH VOLTAGE
	—	LOW VOLTAGE
	BU	BLUE
	BK	BLACK
	OR	ORANGE
	BR	BROWN
	WH	WHITE
	GN	GREEN
	YL	YELLOW
	VT	VIOLET
	RD	RED
	TN	TAN