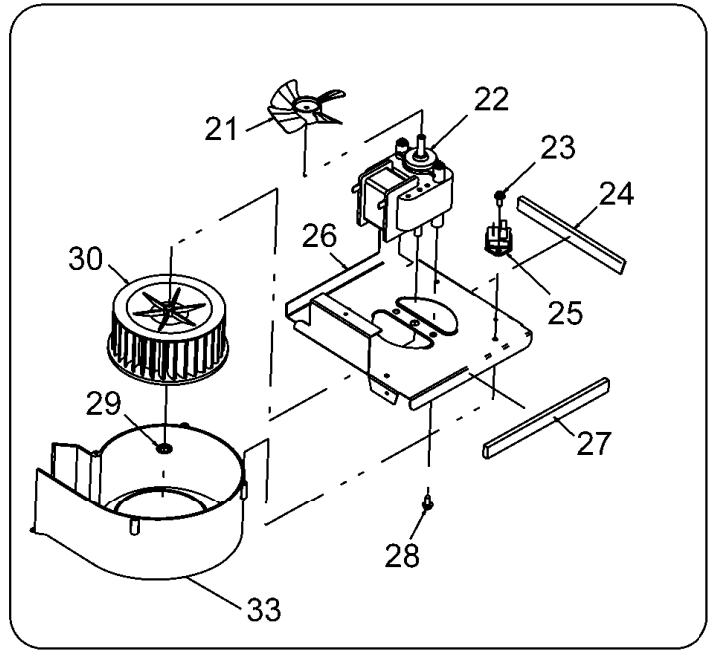
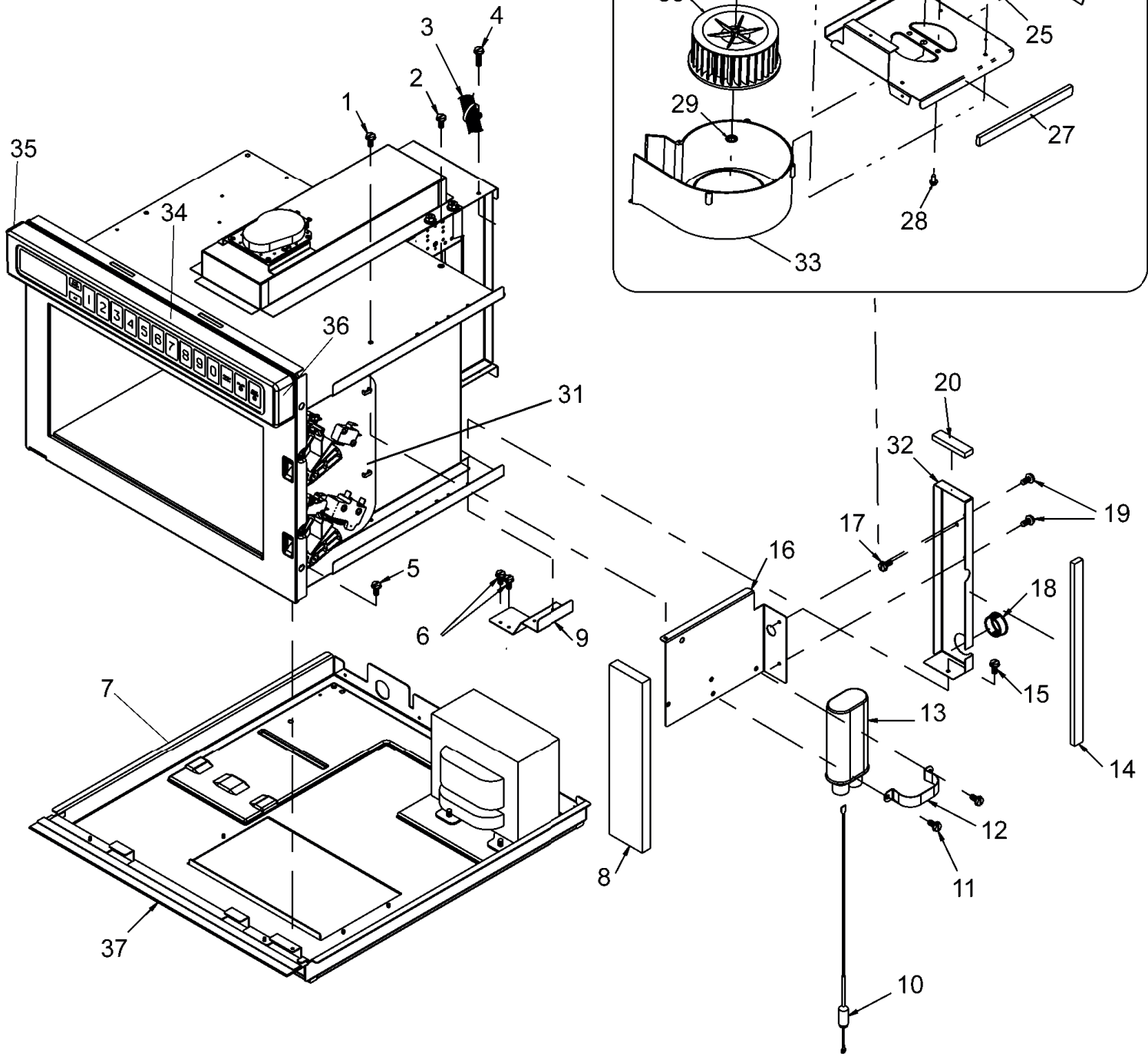
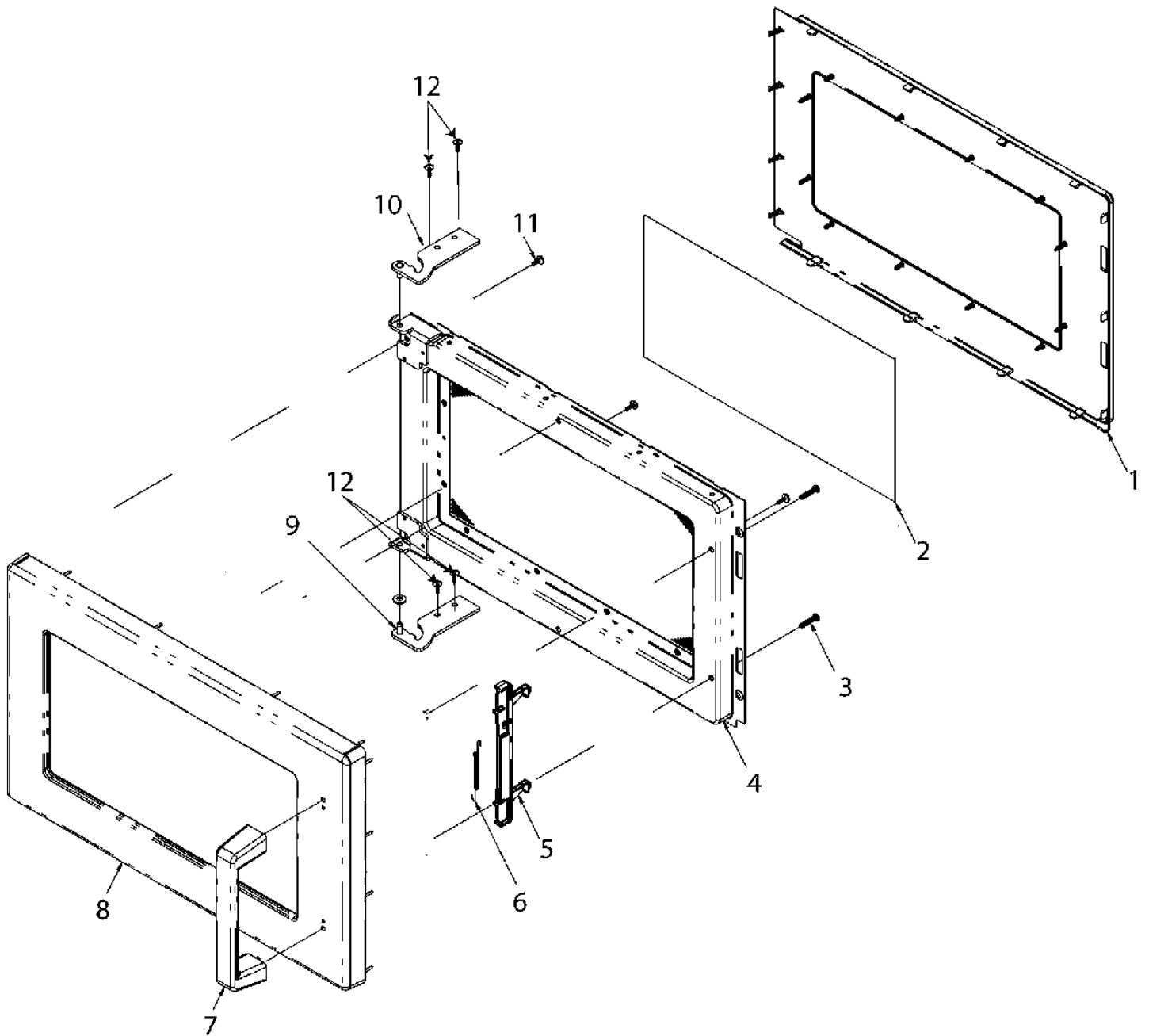


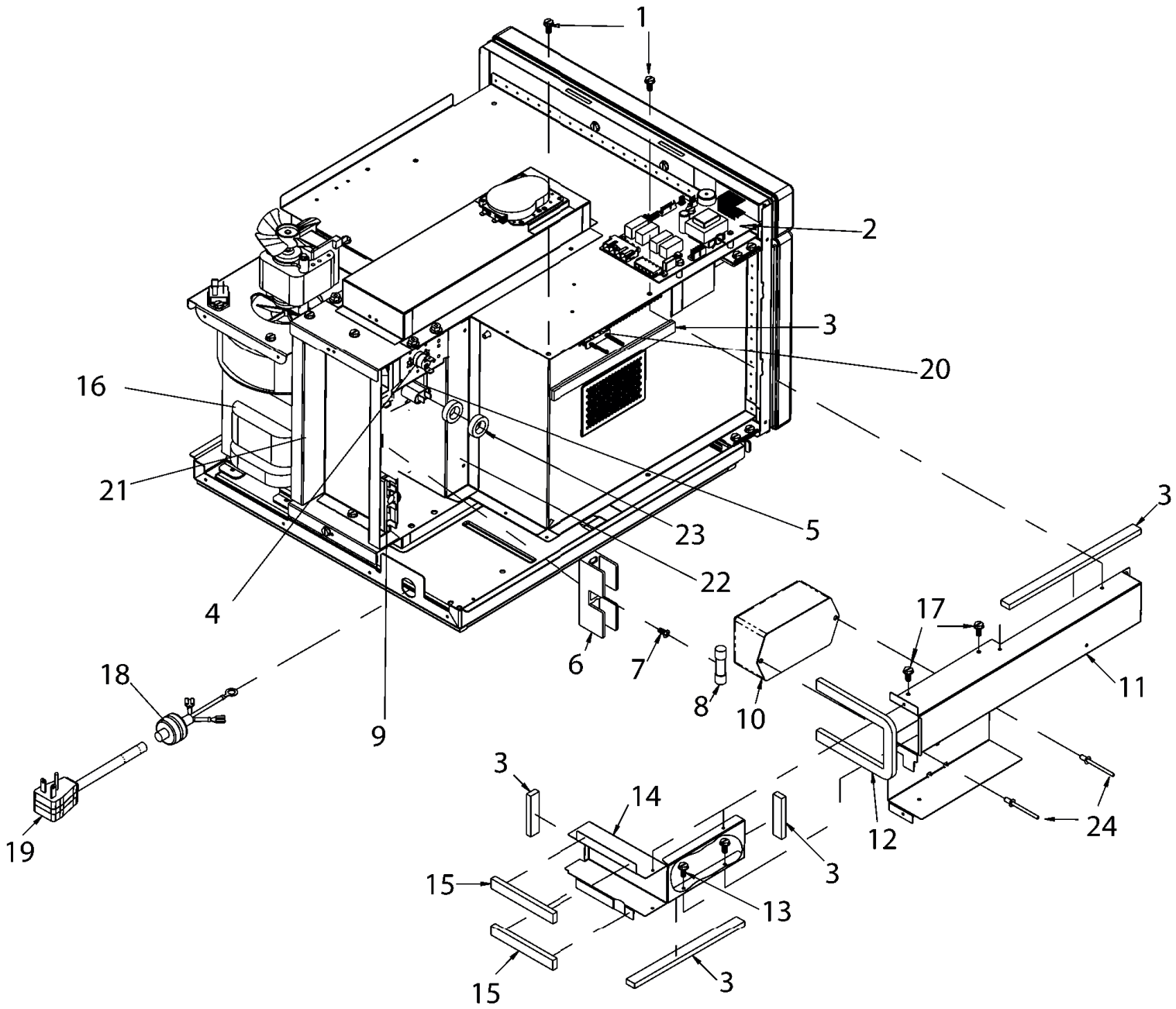
BLOWER, CAPACITOR, DIODE, INTERLOCK



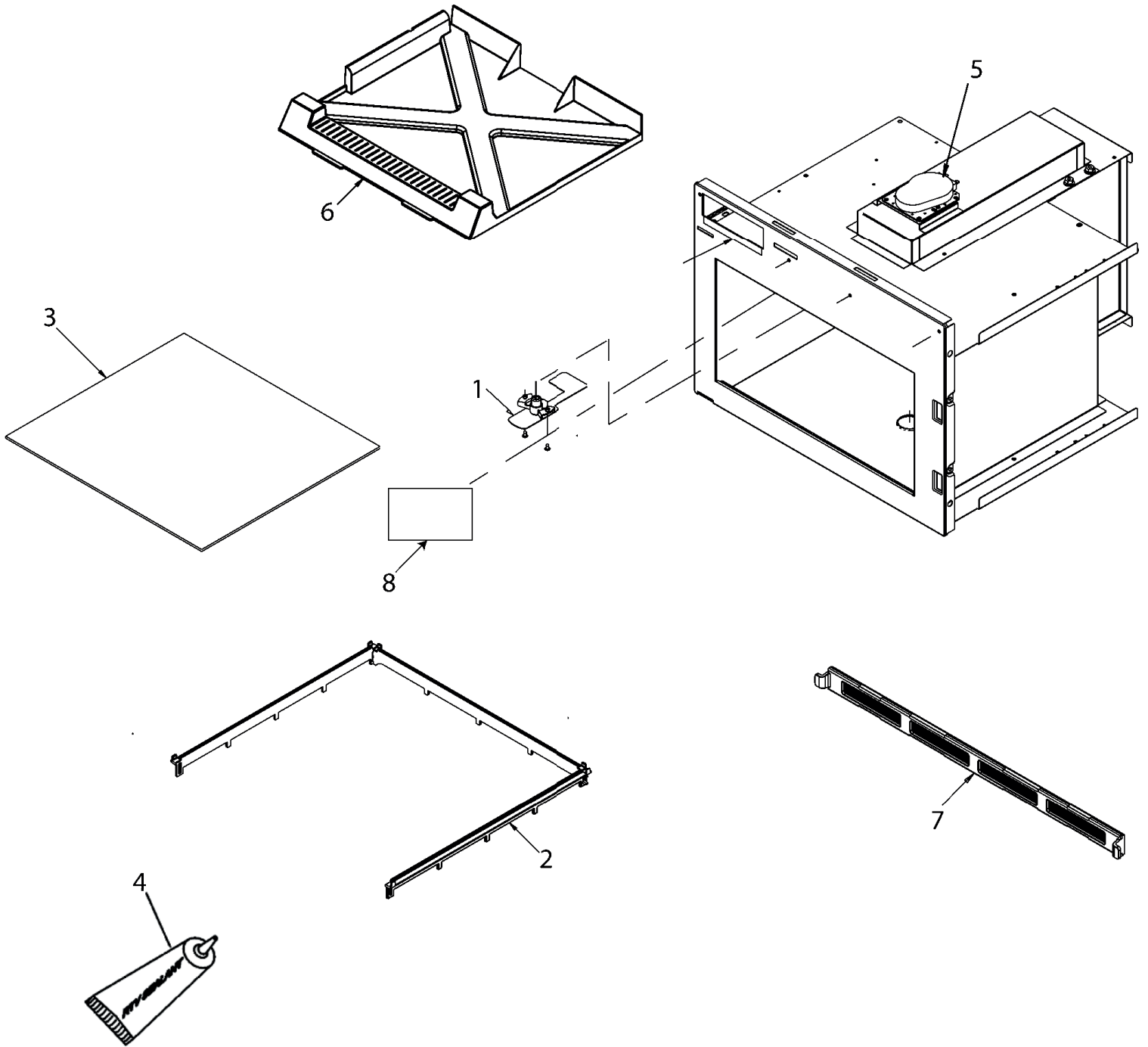
DOOR



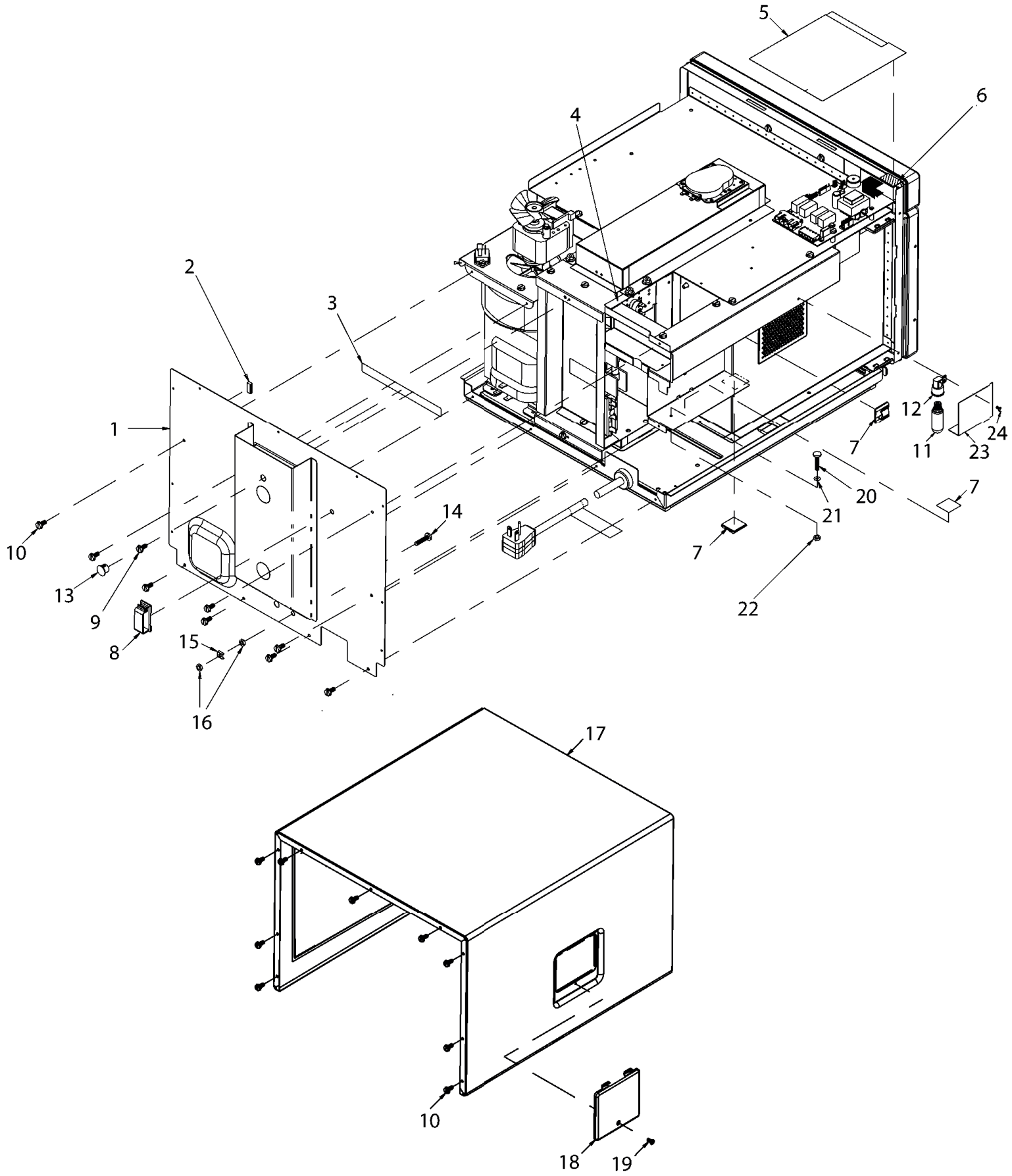
LV / HV CONTROL, MAGNETRON, DUCTS, FUSE



TRAY, CAVITY, ANTENNA



WRAPPER / REAR COVER / LAMP



Seite	Pos	Kreditor Artikel Nr.	GB
001	001	12990524	SCREW-SM/HEX RoHS
001	002	12990522	SCREW-SM/HEX RoHS
001	003	20043501	HARNESS, OVEN
001	004	12990523	SCREW-SM/HEX RoHS
001	005	12990524	SCREW-SM/HEX RoHS
001	006	12990522	SCREW-SM/HEX RoHS
001	007	59002074	BASEPAN & GASKET ASSY
001	008	12525702	BARRIER-AIR
001	009	12529501	BRKT-DIODE
001	010	20037701	DIODE
001	011	12990524	SCREW-SM/HEX RoHS
001	012	21010502	BRKT-CAPACITOR
001	013	59002153	CAPACITOR-.74
001	014	59004077	GASKET, PER FT
001	015	12990522	SCREW-SM/HEX RoHS
001	016	21010501	CAPACITOR BRKT-FLAT
001	017	12990522	SCREW-SM/HEX RoHS
001	018	A3293506	BUSHING - SNAP
001	019	12990524	SCREW-SM/HEX RoHS
001	020	59004077	GASKET, PER FT
001	021	B5706704	BLADE, FAN
001	022	59004019	MOTOR, BLOWER
001	023	12990522	SCREW-SM/HEX RoHS
001	024	59002162	GASKET, PER FT
001	025	R0157373	KIT, TRIAC
001	026	12271103	BRKT-BLOWER WSH
001	027	59002162	GASKET, PER FT
001	028	12990522	SCREW-SM/HEX RoHS
001	029	20020502	RETAINER
001	030	12138201	WHEEL, BLOWER
001	031	59114167	INTERLOCK SWITCH ASSY
001	032	12525702	BARRIER-AIR
001	033	12138302	SCROLL, BLOWER
001	034	59104138	TOUCH PANEL ASSY
001	035	12131002	ENDCAP-ESC LEFT
001	036	12131001	ENDCAP-ESC RIGHT
001	037	20071101	SUPPORT-CAVITY
002	001	59114168	INNER DOOR
002	002	20044801	WINDOW-INNER DOOR
002	003	13041506	SCREW
002	004	59114170	WELD, INNER DOOR & WINDOW
002	005	59114175	LATCH, DOOR
002	006	20045102	SPRING-DOOR LATCH
002	007	12133901	HANDLE-DOOR
002	008	59114174	OUTER DOOR ASSY- MM
002	009	14119059	KIT, HINGE- BOTTOM
002	010	14119058	KIT, HINGE- TOP
002	011	12990606	SCREW-SM/PAN RoHS
002	012	13048901	SCREW-TF/HEX RoHS
003	001	12990524	SCREW-SM/HEX RoHS
003	002	59004111	BOARD, HV/LV
003	003	M0275058	TAPE-FOAM (ROLL)
003	004	B5684129	THERMAL CUTOUT
003	005	59004013	MAGNETRON
003	006	10091101	BLOCK-FUSE
003	007	12990522	SCREW-SM/HEX RoHS
003	008	M0805202	FUSE-15A
003	009	B5677203	BLOCK-TERMINAL
003	010	59001893	FILTER, LINE
003	011	12135604	CAVITY EXH DUCT-E CT
003	012	A3030302	GASKET
003	013	12990522	SCREW-SM/HEX RoHS
003	014	12135704	DUCT, CAVITY EXHAUST
003	015	59002162	GASKET, PER FT
003	016	59114145	TRANSFORMER, HV
003	017	12992305	SCREW-TF/HEX RoHS
003	018	M0370009	RELIEF-STRAIN
003	019	59002001	POWER CORD
003	020	B5795319	THERMAL CUTOUT, CAVITY

Seite	Pos	Kreditor Artikel Nr.	GB
003	021	12107304	DUCT, MAG INLET
003	022	12107304	DUCT, MAG INLET
003	023	44780P01	TOROID
003	024	A4539638	RIVET-POP RoHS
004	001	R0150185	KIT, ANTENNA- TOP
004	002	14109044	KIT, TRAY SUPPORTS & SEALER
004	003	14109040	KIT, CERAMIC TRAY & SEALER
004	004	59002167	SEALER
004	005	R0150197	KIT, ANTENNA MOTOR- TOP
004	006	59004011	ANTENNA SHIELD
004	007	59001659	FILTER, AIR
004	008	R9900114	KIT, WINDOW
005	001	12296806	ACCESS PANEL-E CT
005	002	59002162	GASKET, PER FT
005	003	R0000413	GASKET, BASEPAN - 90 in (228 cm)
005	004	59002162	GASKET, PER FT
005	005	12160602	SHIELD-SPILL
005	006	M0275163	TAPE-TRANSFER (ROLL)
005	007	M0104106	CLIP-CORD
005	008	M0118705	NLA- CLIP-GUIDE
005	009	12990525	SCREW-SM/HEX RoHS
005	010	12990525	SCREW-SM/HEX RoHS
005	011	59002071	LAMP
005	012	12163802	RECEPTACLE-EXPORT
005	013	13098801	PLUG, HOLE
005	014	M0293512	STUD -M6
005	015	12152201	WASHER-U TYPE
005	016	13045504	NUT - M6 KEPS
005	017	12408502Q	WRAPPER
005	018	10785608	COVER-LIGHT
005	019	13042002	SCREW-TF/OVAL RoHS
005	020	M0293511	STUD 6
005	021	M0272513	WASHER
005	022	13045501	NUT-#6 KEPS
005	023	12544201	BARRIER-LAMP
005	024	12992307	SCREW-TF/HEX RoHS

WIRING DIAGRAM

230V 50HZ
3-WIRE

SCHEMATIC
CONDITION:
DOOR OPEN

