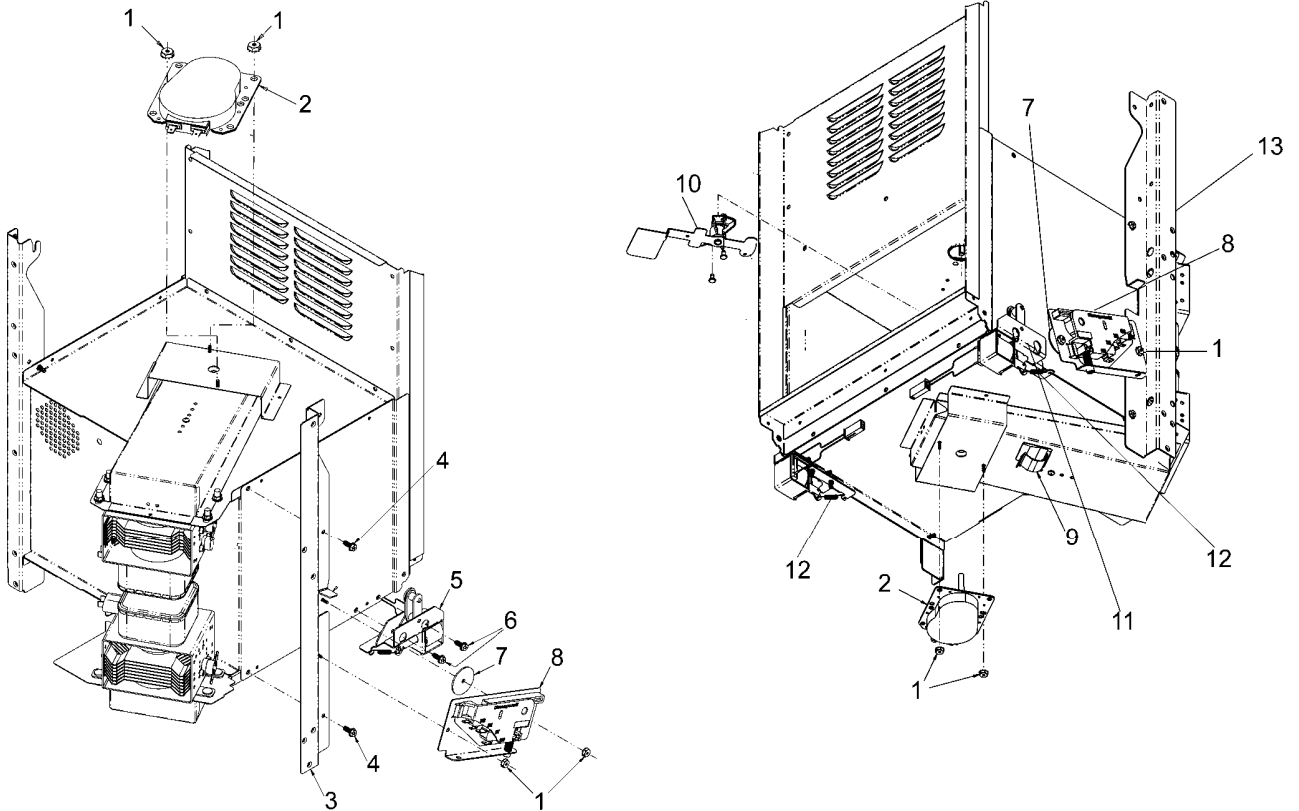
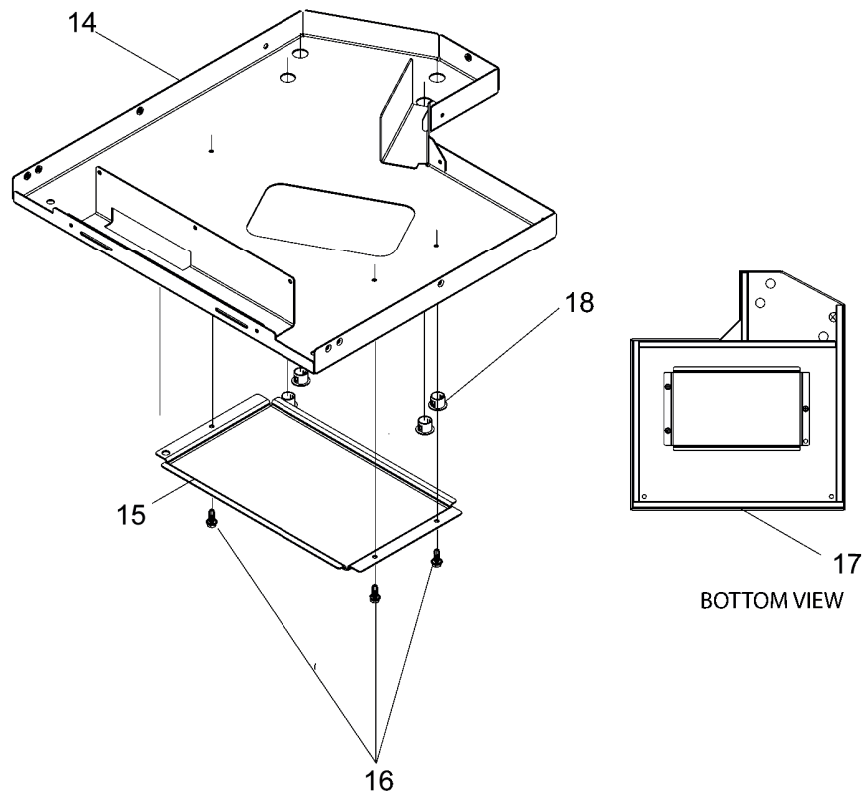


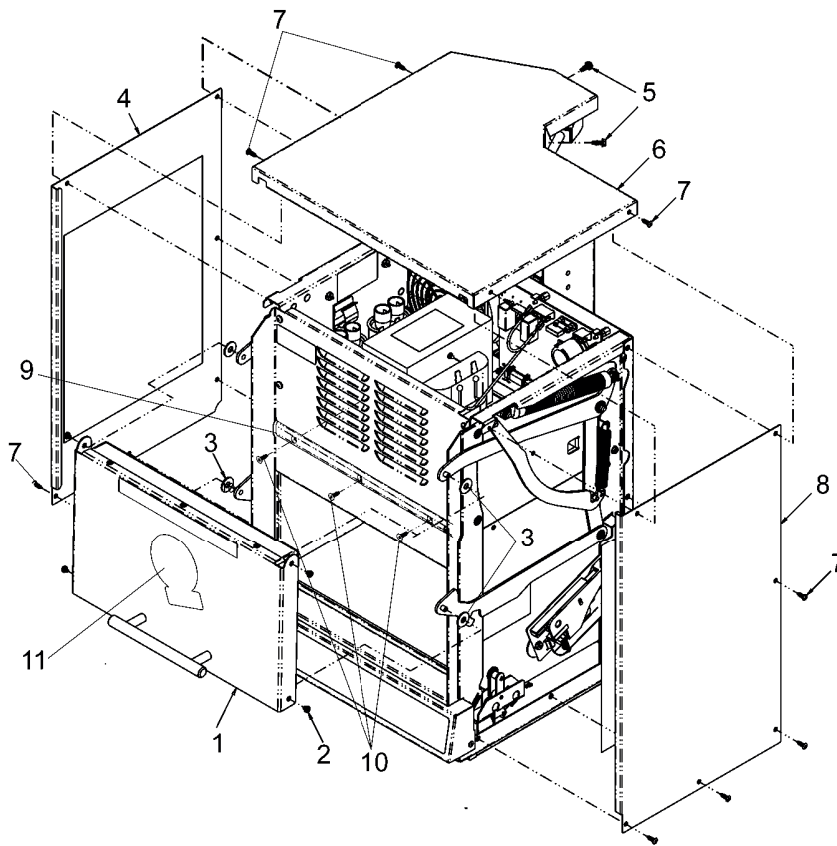
# ANTENNA MOTORS / SWITCHES / LH & RH SOLENOIDS



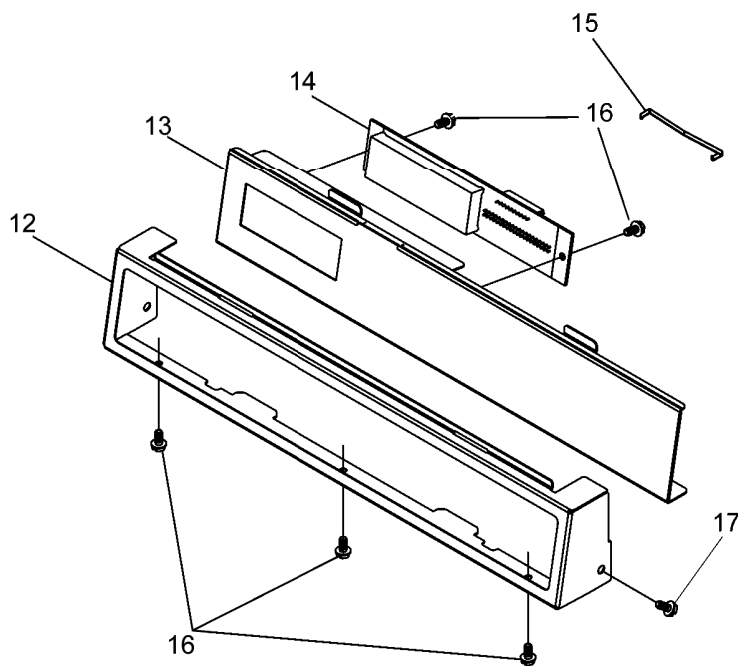
# BASEPAN / GASKETS



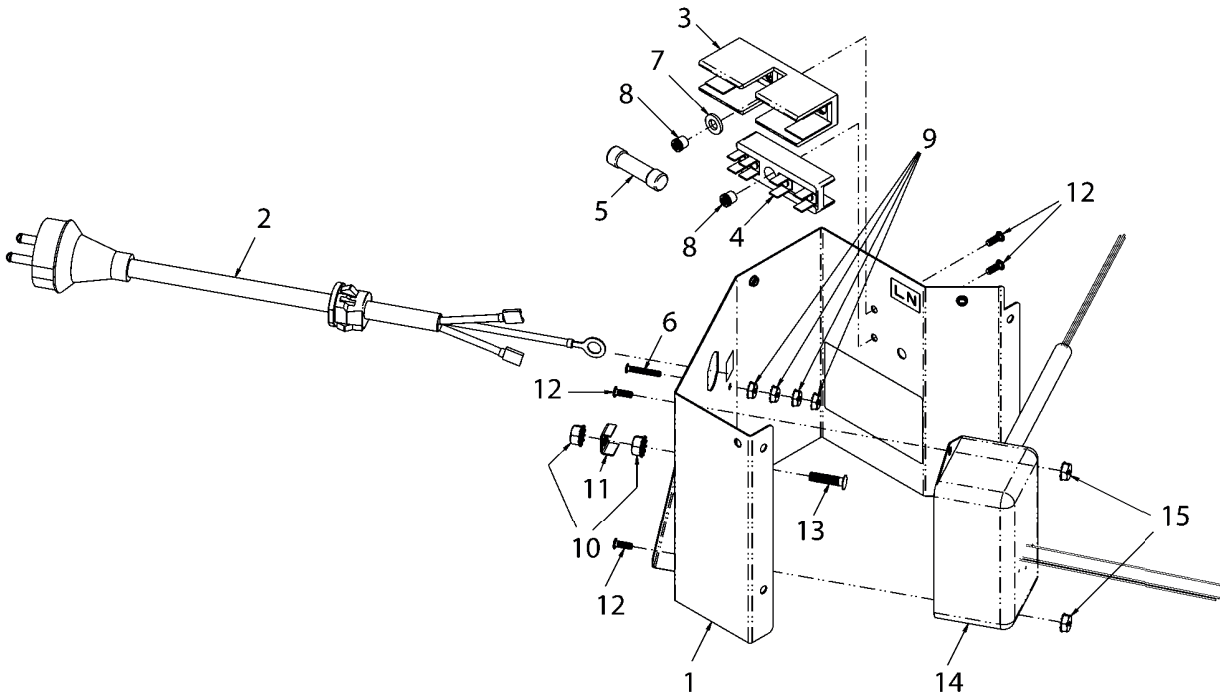
## DOOR ASSEMBLY / OUTER PANELS



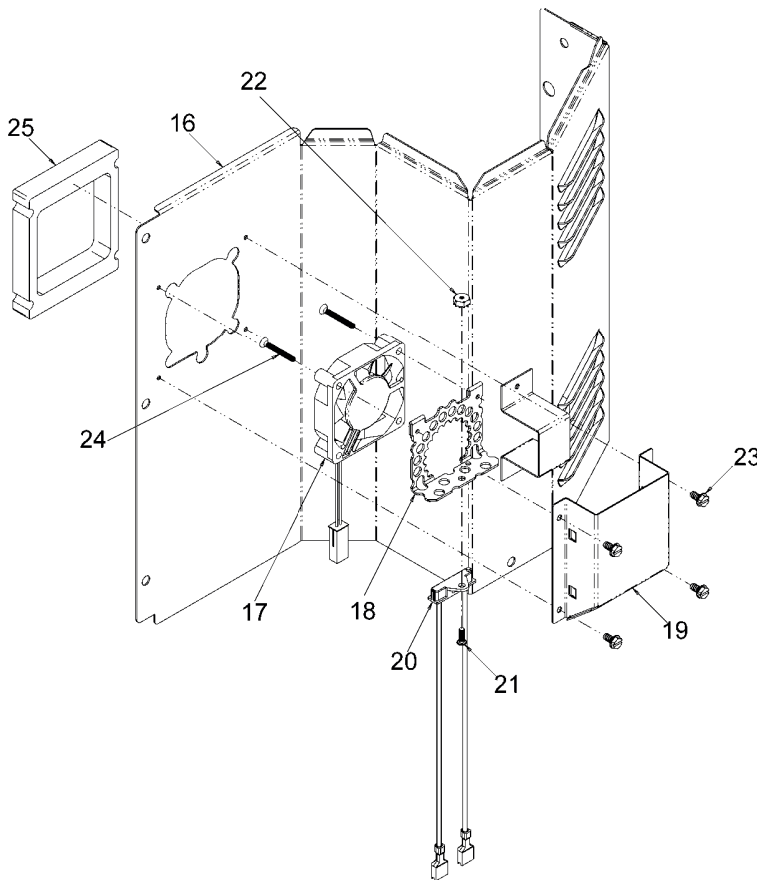
## TOUCH PANEL ASSEMBLY



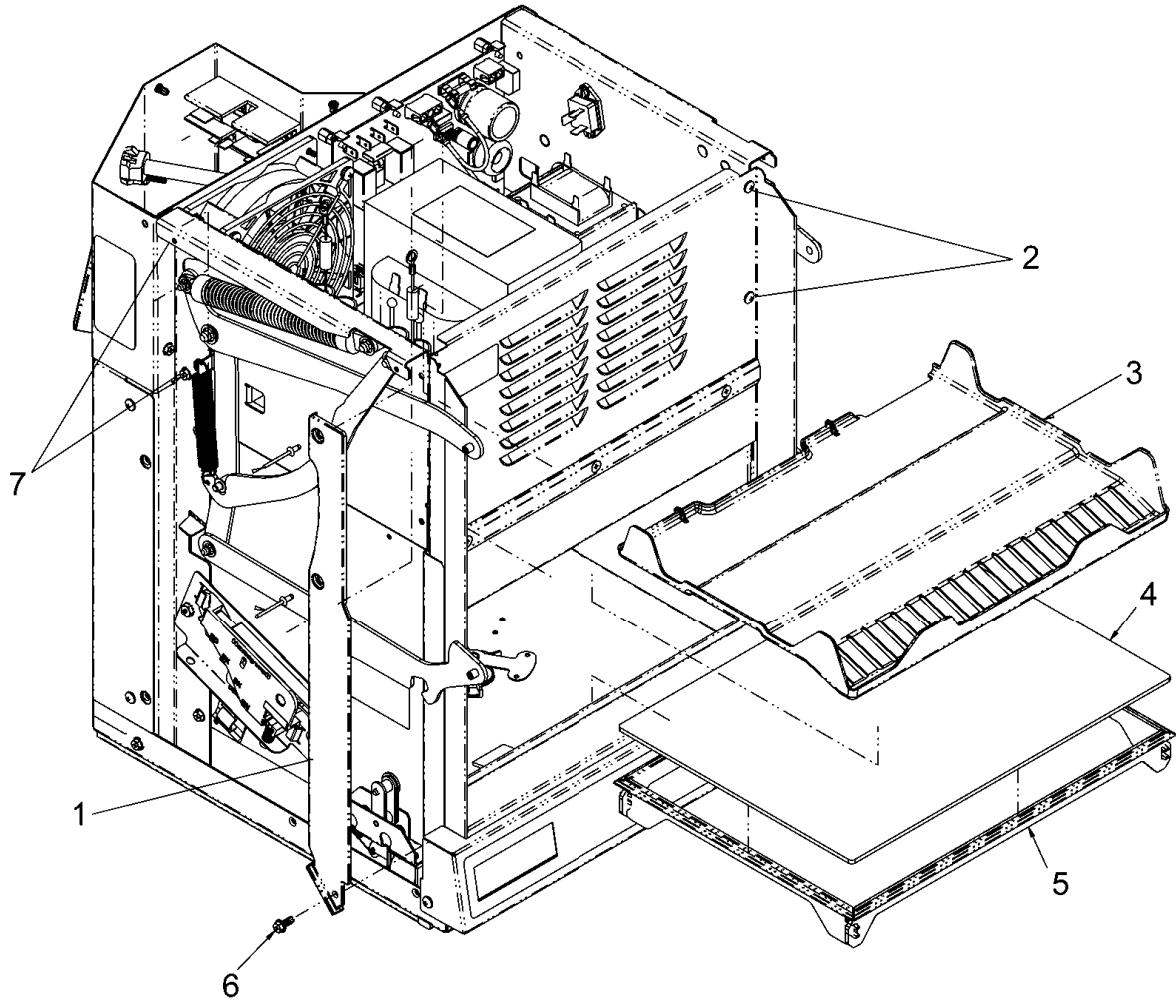
# FUSE / FUSE BLOCK / POWER CORD



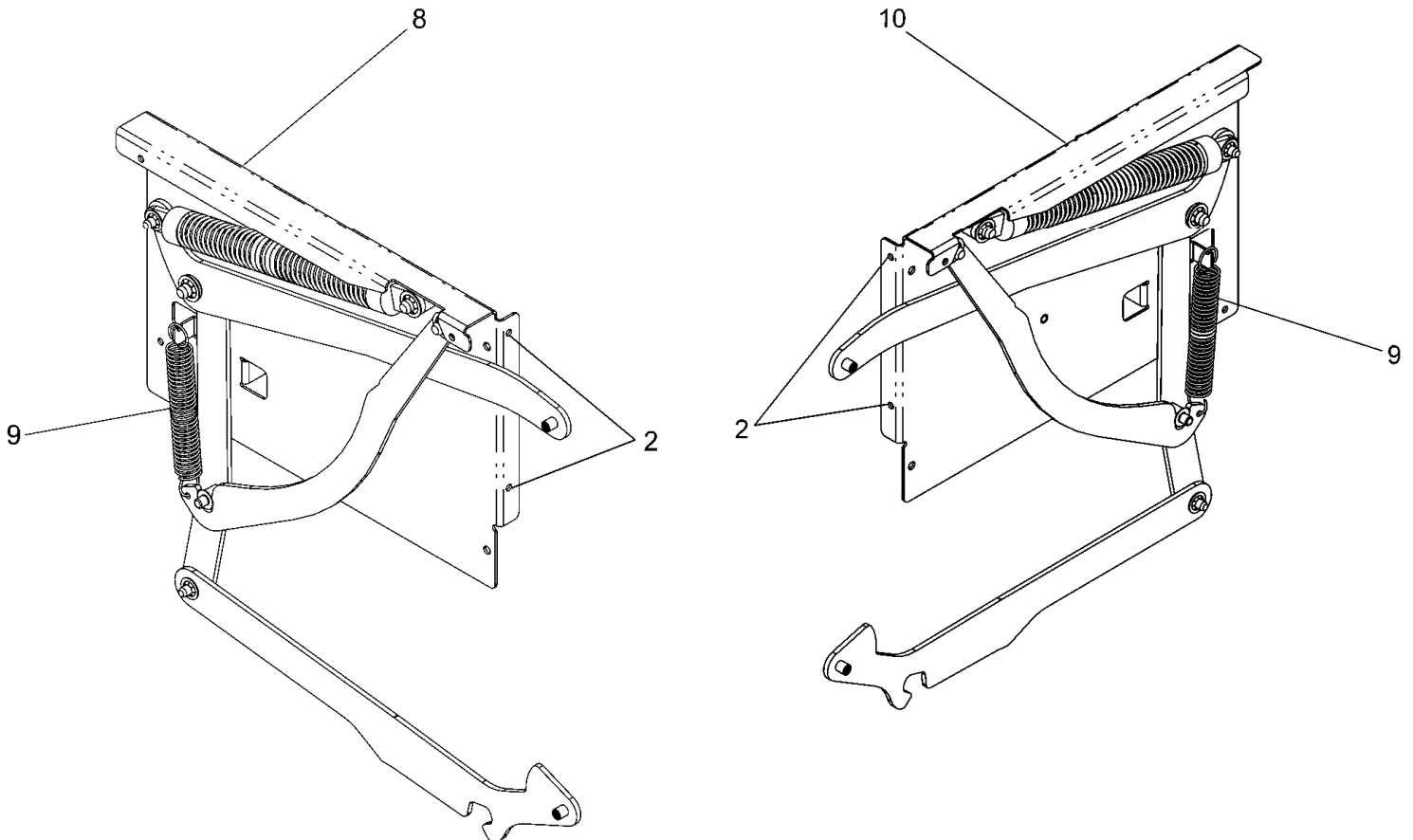
# LOWER BACK PANEL / CAVITY EXHAUST FAN / CAVITY TCO



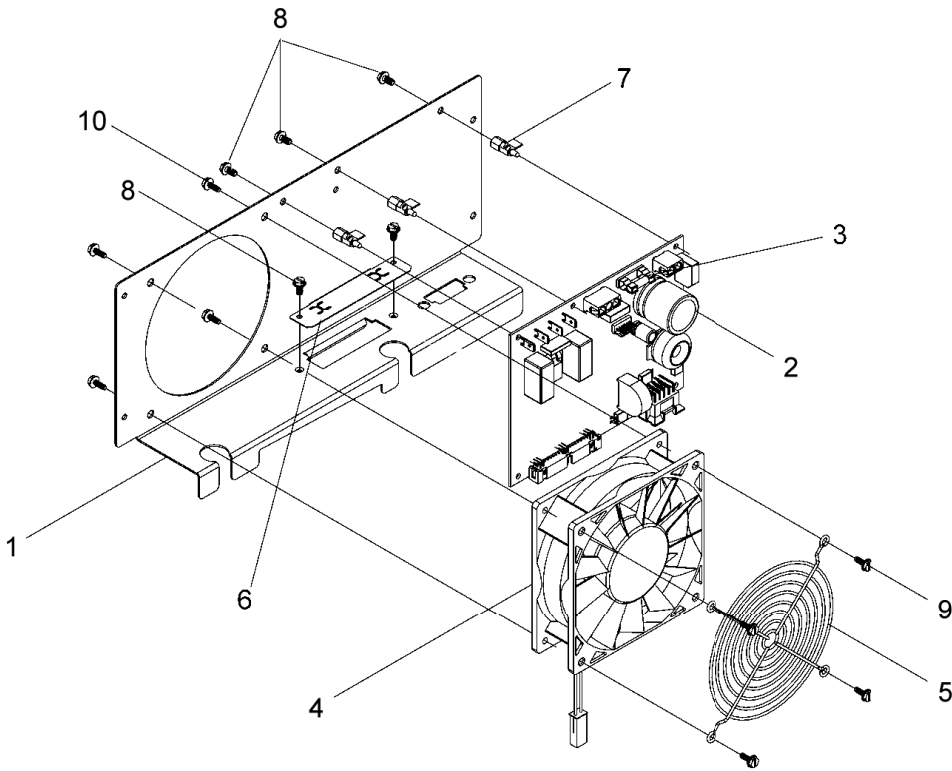
# GLIDE STRIPS / GREASE SHIELD / TRAY



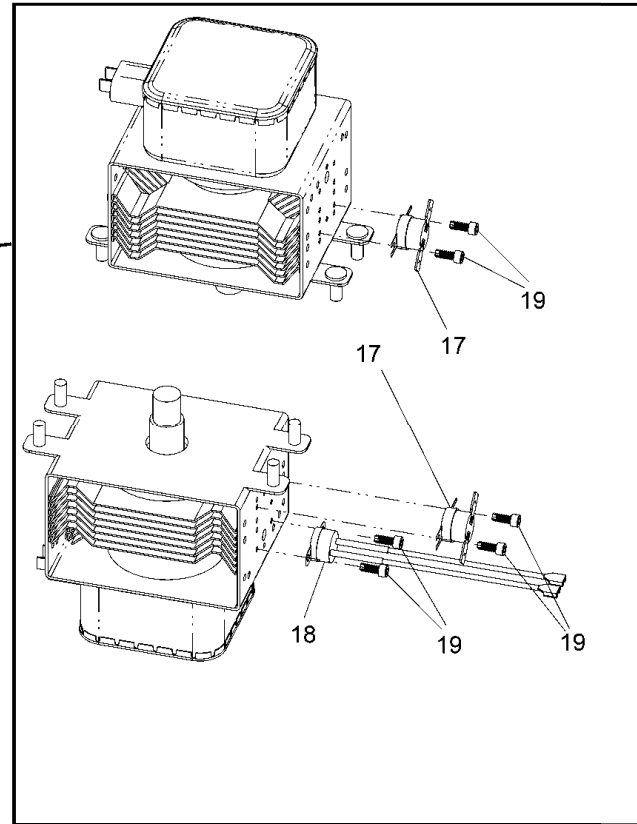
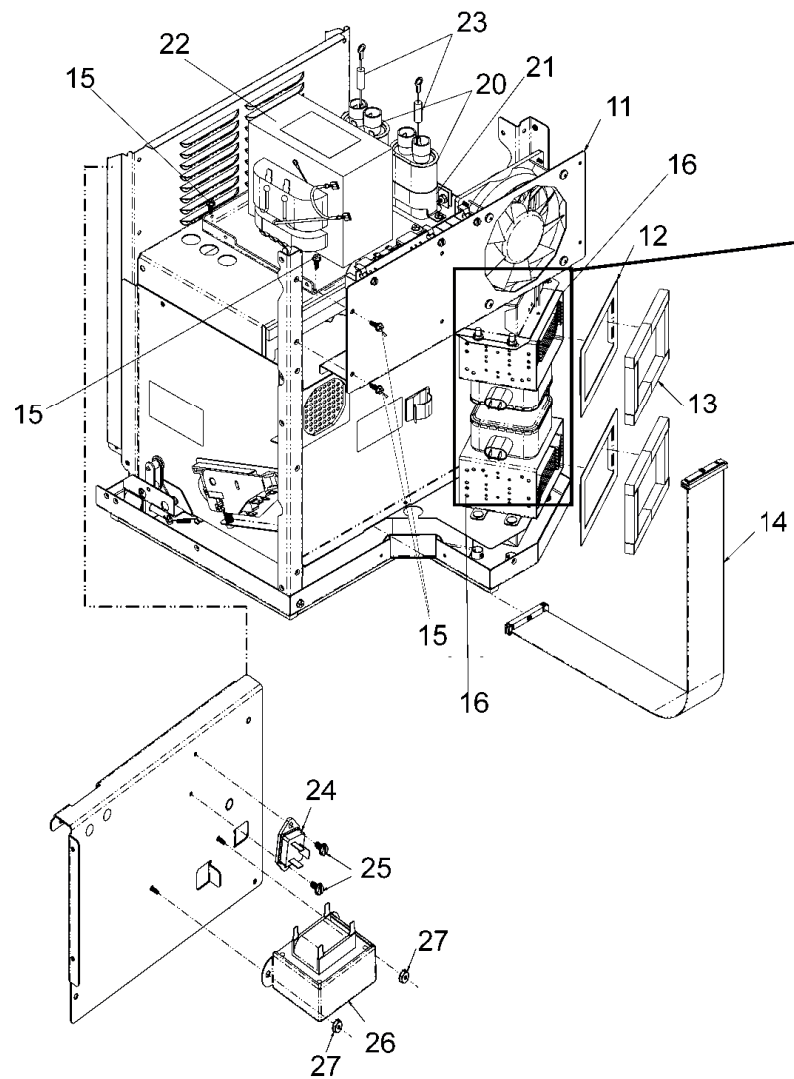
## LH HINGE ASSEMBLY/ RH HINGE ASSEMBLY



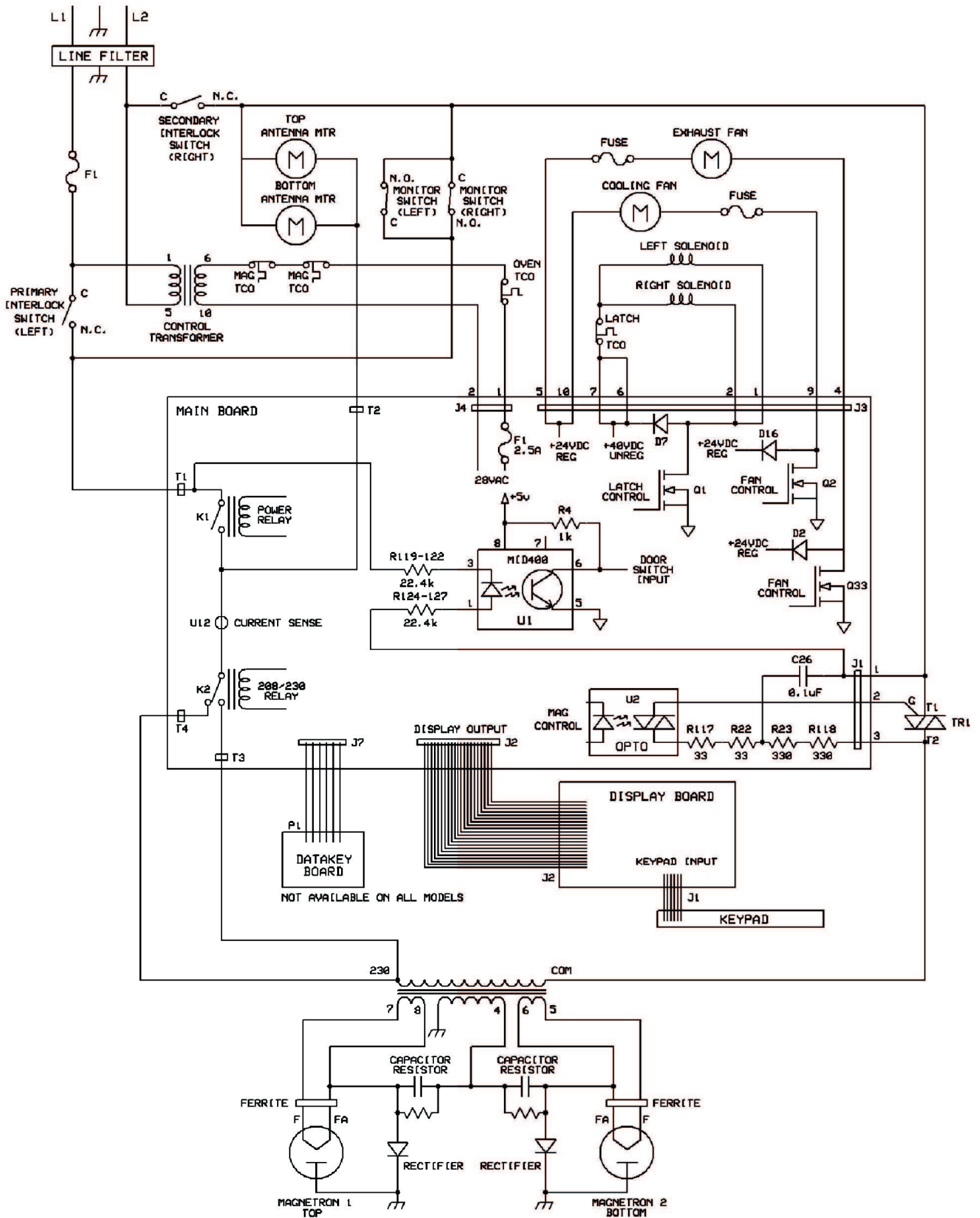
# MAIN CONTROL BOARD / FAN



## MAGNETRONS / GASKETS / TOUCH PANEL HARNESS / TRIAC CONTROL TRANSFORMER / HV TRANSFORMER



# SCHEMATIC



20019201

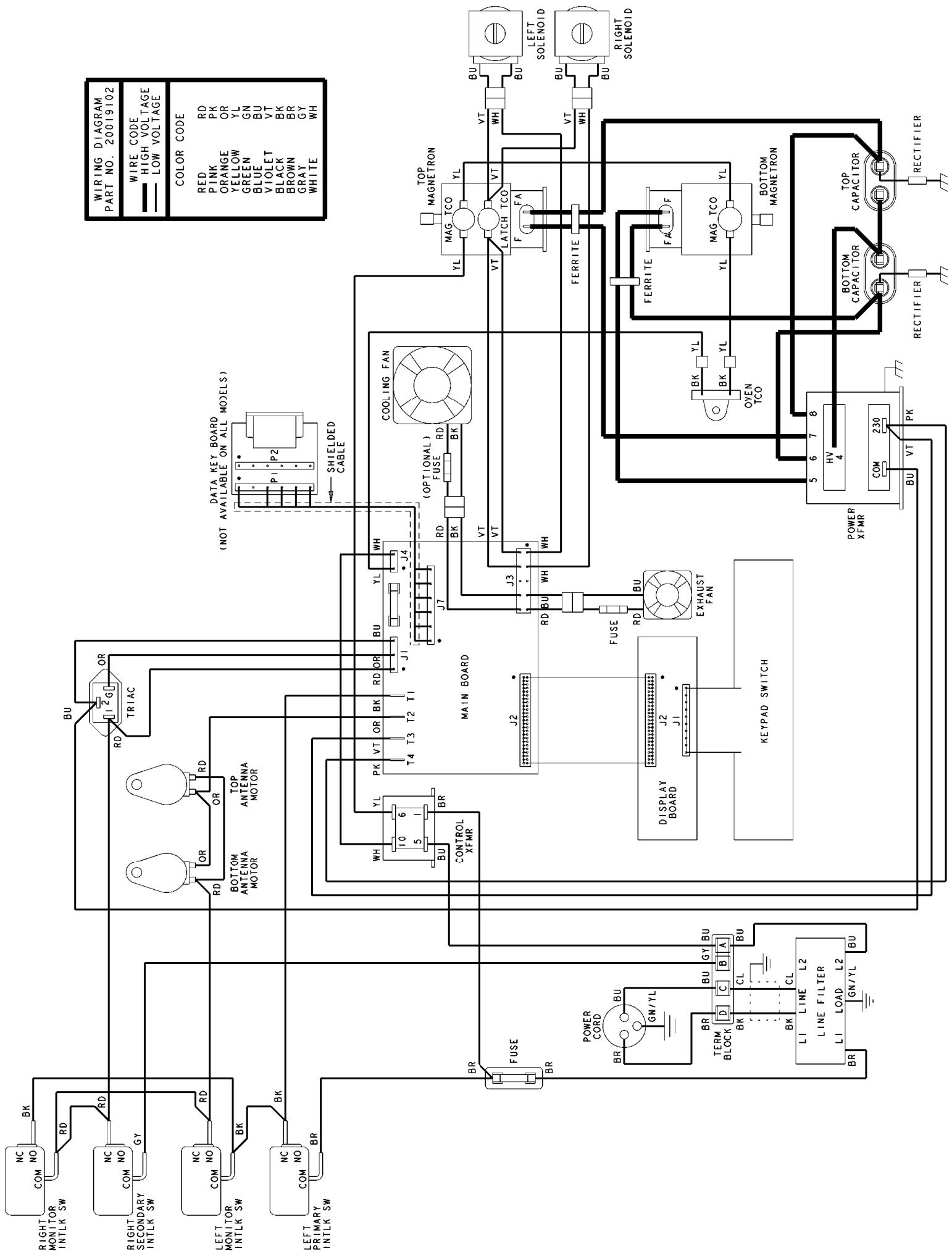
Seite	Pos	Kreditor Artikel Nr.	GB
001	001	13045501	NUT-#6 KEPS
001	002	59004093	MOTOR, ANTENNA
001	003	20017401	L CORNER POST ASSY
001	004	12991605	SCREW
001	005	14090033	KIT, SOLENOID ASSY- LH
001	006	12991605	SCREW
001	007	20003201	WASHER-FLAT
001	008	14090031	KIT, SWITCHES & FUSE
001	009	M0104106	CLIP-CORD
001	010	59004095	KIT, ANTENNA ASSY & RIVETS
001	011	14090034	KIT, SOLENOID ASSY- RH
001	012	20020701	SPRING, LATCH
001	013	20017501	R CORNER POST ASSY
001	014	59004101	BASEPAN ASSY
001	015	12486002	BASE COVER-E CT
001	016	12991605	SCREW
001	017	R0000413	GASKET, BASEPAN - 90 in (228 cm)
001	018	13098801	PLUG, HOLE
002	001	59004109	DOOR ASSY & SCREWS
002	002	20022301	SCREW-MACH/PAN
002	003	20020001	WASHER-NYLON
002	004	59004102	OUTER PANEL- LH
002	005	12991605	SCREW
002	006	59004104	OUTER PANEL- TOP
002	007	13041802	SCREW-TC/PAN
002	008	59004103	OUTER PANEL- RH
002	009	20013601	STRIP, ANTI INTRUSION
002	010	13047404	SCREW-TC/FLAT
002	011	20019501	LABEL, DOOR (BURGER KING LOGO)
002	012	20013001	ESCUTCHEON-CONTROL
002	013	59004114	TOUCH PANEL ASSY- BK
002	014	59004085	BOARD, DISPLAY
002	015	20023301	CLIP, RETAINER
002	016	12990522	SCREW-SM/HEX RoHS
002	017	12991605	SCREW
003	001	20018004	UP MAG SHROUD
003	002	59002001	POWER CORD
003	003	10091101	BLOCK-FUSE
003	004	B5677203	BLOCK-TERMINAL
003	005	M0805203	FUSE-20A
003	006	M0293511	STUD 6
003	007	12546101	WASHER
003	008	20022601	NUT, ALLEN
003	009	13045501	NUT-#6 KEPS
003	010	13045504	NUT - M6 KEPS
003	011	12152201	WASHER-U TYPE
003	012	M0293510	STUD-#8 SC
003	013	M0293512	STUD -M6
003	014	59001893	FILTER, LINE
003	015	M0282007	NUT
003	016	20015502	LWR OC BACK WELD-E CT
003	017	59004118	MOTOR, CAVITY EXH MOTOR & GSKT
003	018	20009701	GRILLE-EXH FAN
003	019	20012001	HOOD-CAVITY FAN
003	020	59004115	THERMAL CUTOUT ASSY- CAVITY
004	001	14090025	KIT, GLIDE STRIPS & RIVETS
004	002	13074001	SCREW-TC/PAN TORX RoHS
004	003	59004097	ANTENNA SHIELD
004	004	14090024	KIT, CERAMIC TRAY & SEALER
004	005	59004098	SUPPORT, TRAY
004	006	12991605	SCREW
004	007	13041802	SCREW-TC/PAN
004	008	14090026	KIT, HINGE- LH
004	009	20020601	SPRING, HINGE
004	010	14090027	KIT, HINGE- RH
005	001	20011404	REAR MC BRKT-E CT
005	002	59004110	BOARD, MAIN CONTROL- BK
005	003	20031701	FUSE, 2.5A
005	004	59002132	MOTOR, FAN (24V DC)

Seite	Pos	Kredtor Artikel Nr.	GB
005	005	20013701	GUARD-FAN
005	006	20013301	BRKT-40 PIN HEADER
005	007	M0590608	SUPPORT-PCB
005	008	12990522	SCREW-SM/HEX RoHS
005	009	12992306	SCREW TF/HEX RoHS
005	010	12990608	SCREW-SM/PAN
005	011	20011402	REAR MC BRKT-E CT
005	012	59004105	DUCT, MAG EXHAUST & GASKET
005	013	20022701	GASKET-MAG SEAL
005	014	14090028	KIT, HARNESS- PC BD TO TP
005	015	12991605	SCREW
005	016	59001997	MAGNETRON
005	017	B5684130	THERMAL CUTOUT
005	018	B5684135	THERMAL CUTOUT, LATCH
005	019	M0229916	SCREW-TC
005	020	12730013	CAPACITOR, 1.05 MF
005	021	13069001	BRKT- CAPACITOR
005	022	59004117	TRANSFORMER, HV
005	023	13091701	DIODE
005	024	59002026	TRIAC (40A)
005	025	12990522	SCREW-SM/HEX RoHS
005	026	59004119	TRANSFORMER, CONTROL
005	027	13045501	NUT-#6 KEPS
006	001	13017716	WIRE, JUMPER
006	002	20019401	HARNESS, HV
006	003	20036601	HARNESS, MAIN
006	004	21009501	STRAP-OVEN



# WIRING DIAGRAM

WIRING DIAGRAM PART NO. 20019102	
WIRE CODE	COLOR CODE
— HIGH VOLTAGE	RD RED
— LOW VOLTAGE	PK PINK
	OR ORANGE
	YL YELLOW
	GN GREEN
	BU BLUE
	VT VIOLET
	BL BLACK
	BR BROWN
	GY GRAY
	WH WHITE



(NOT AVAILABLE ON ALL MODELS)