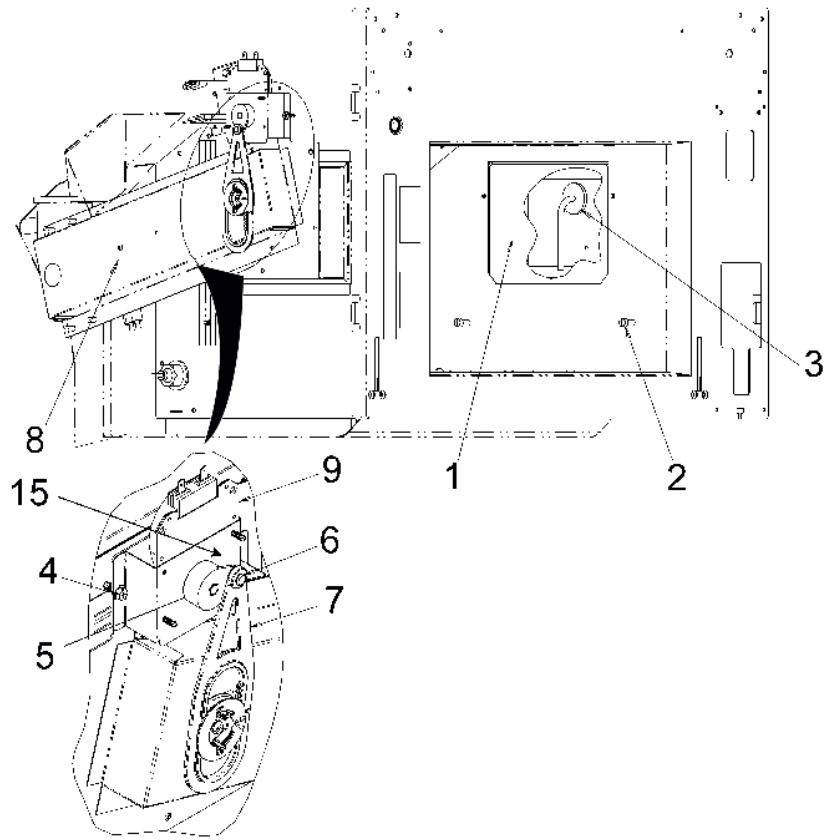
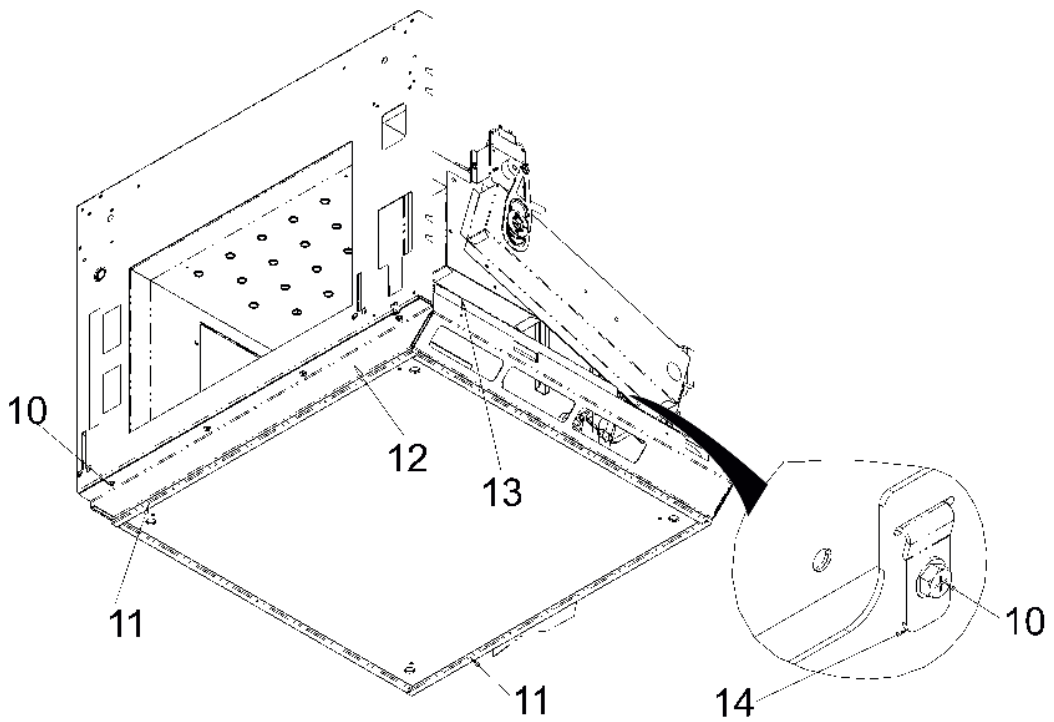


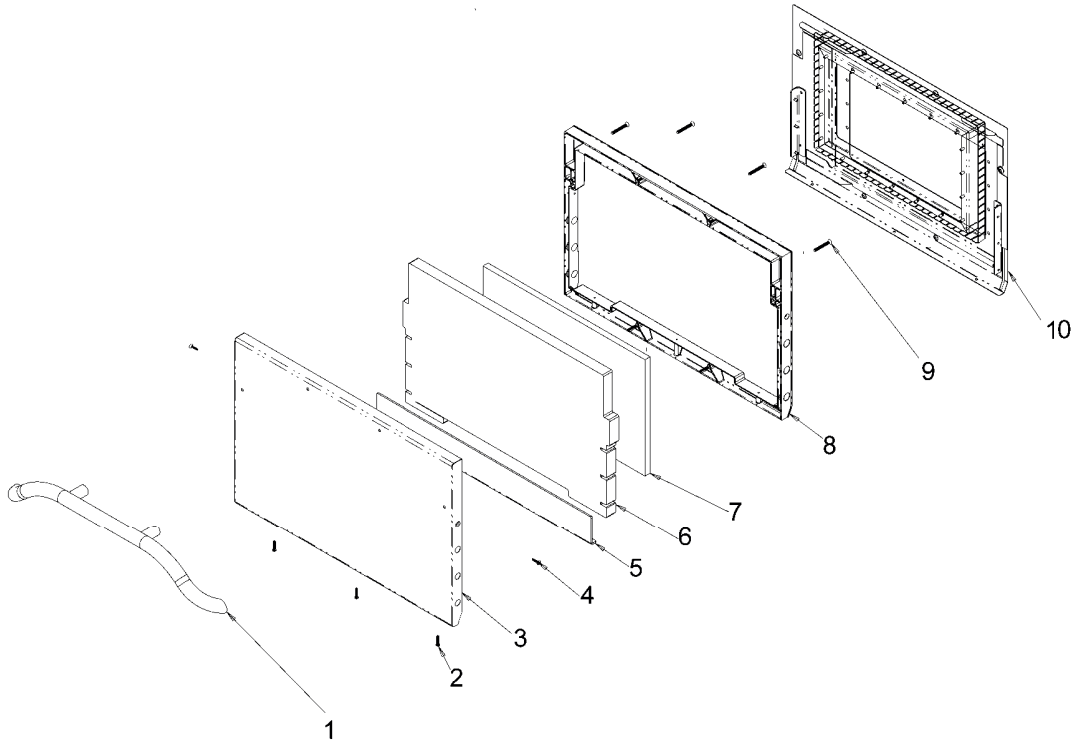
ANTENNA



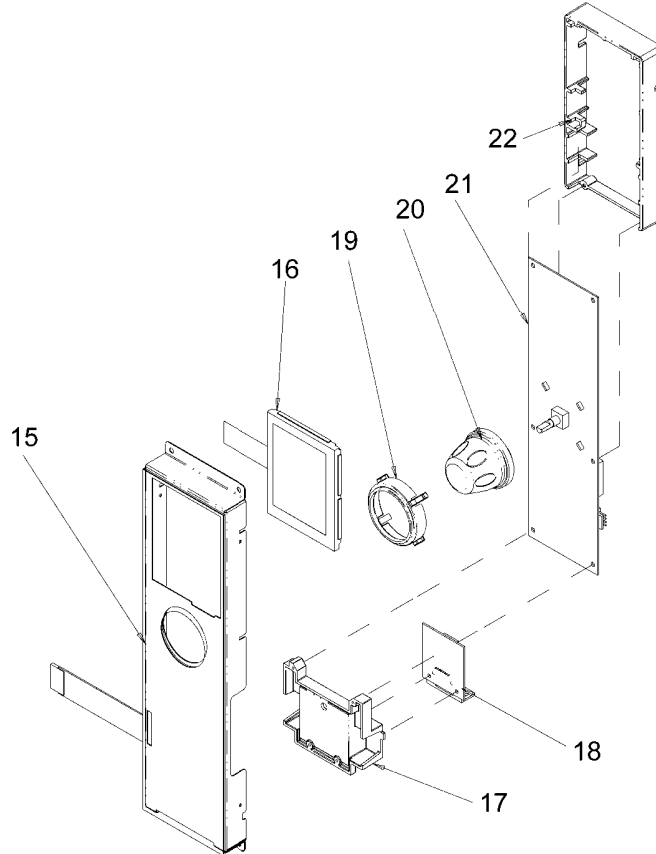
BASEPAN



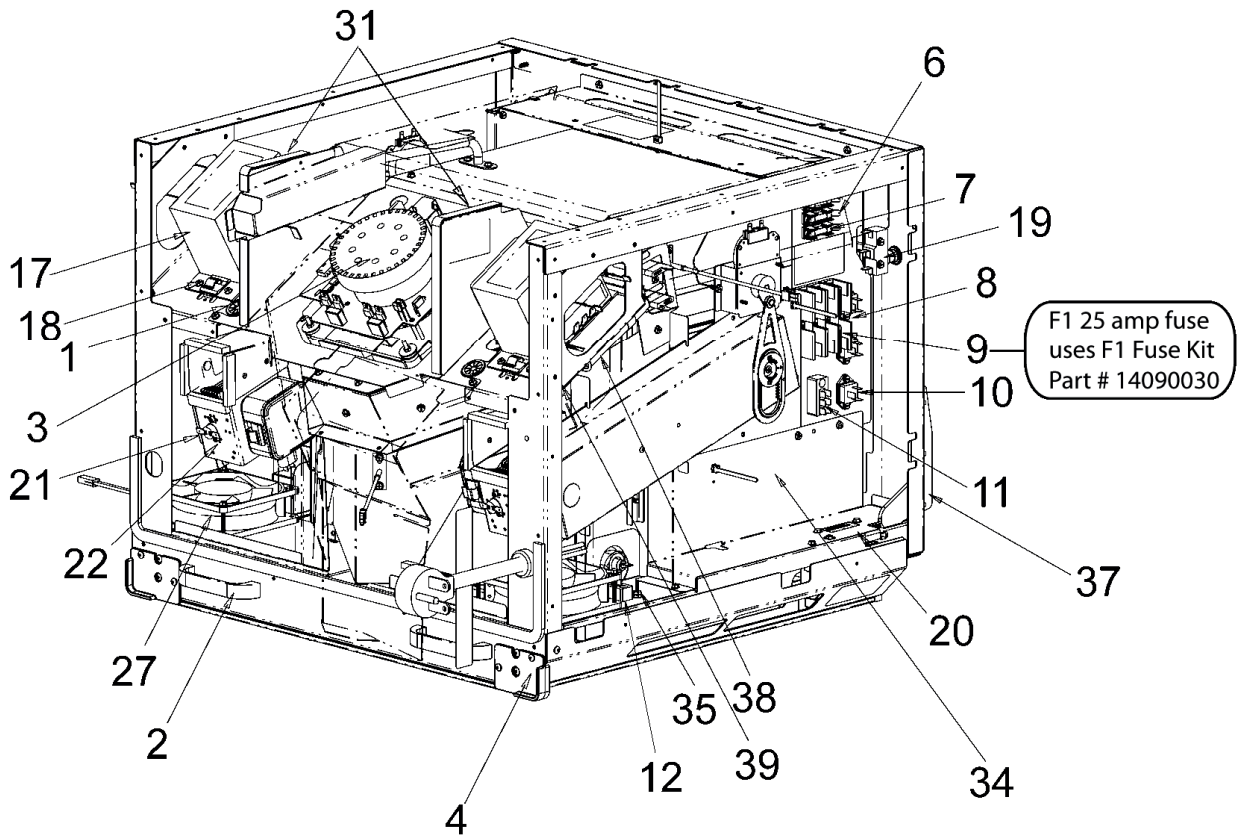
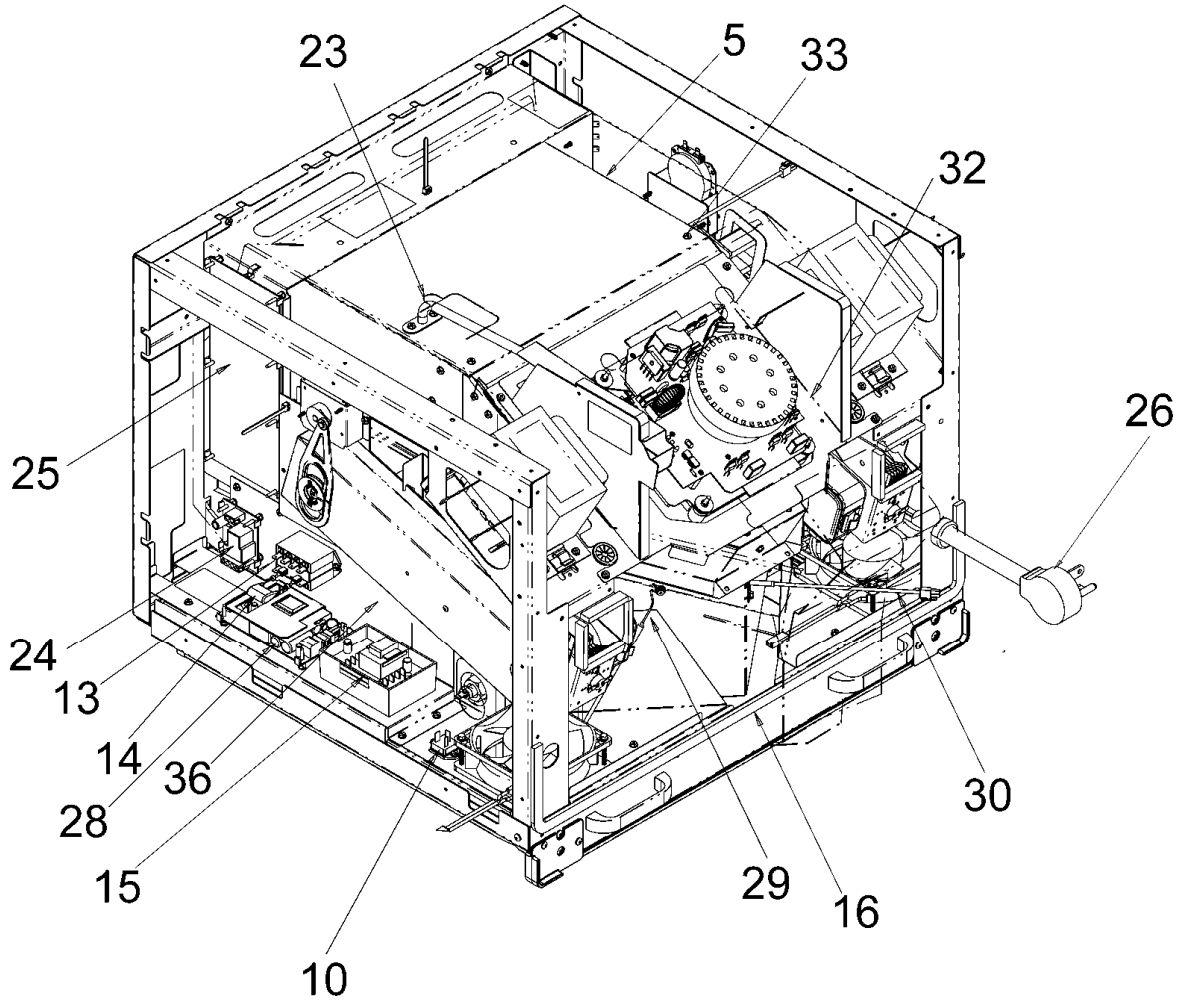
DOOR ASSEMBLY



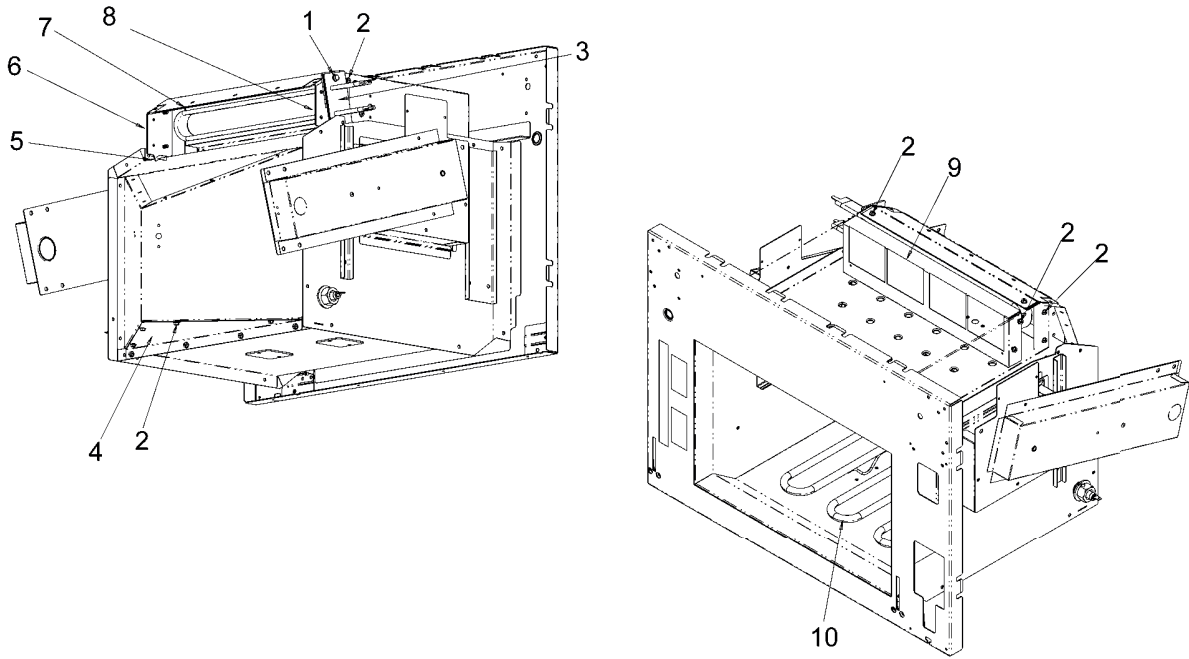
CONTROL ASSEMBLY



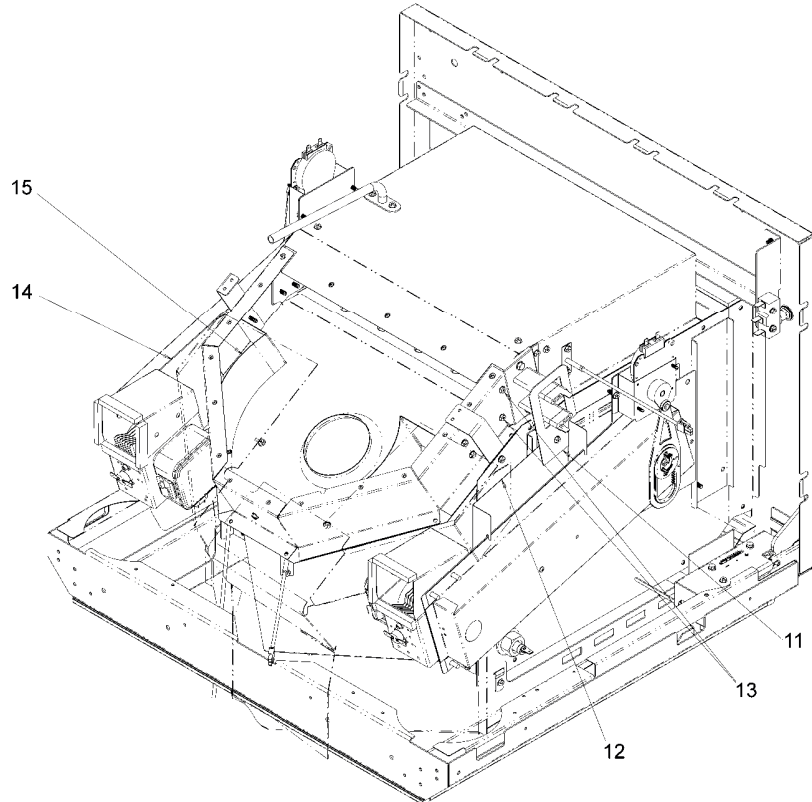
ELECTRICAL, SWITCHES, CONVECTION BLOWER



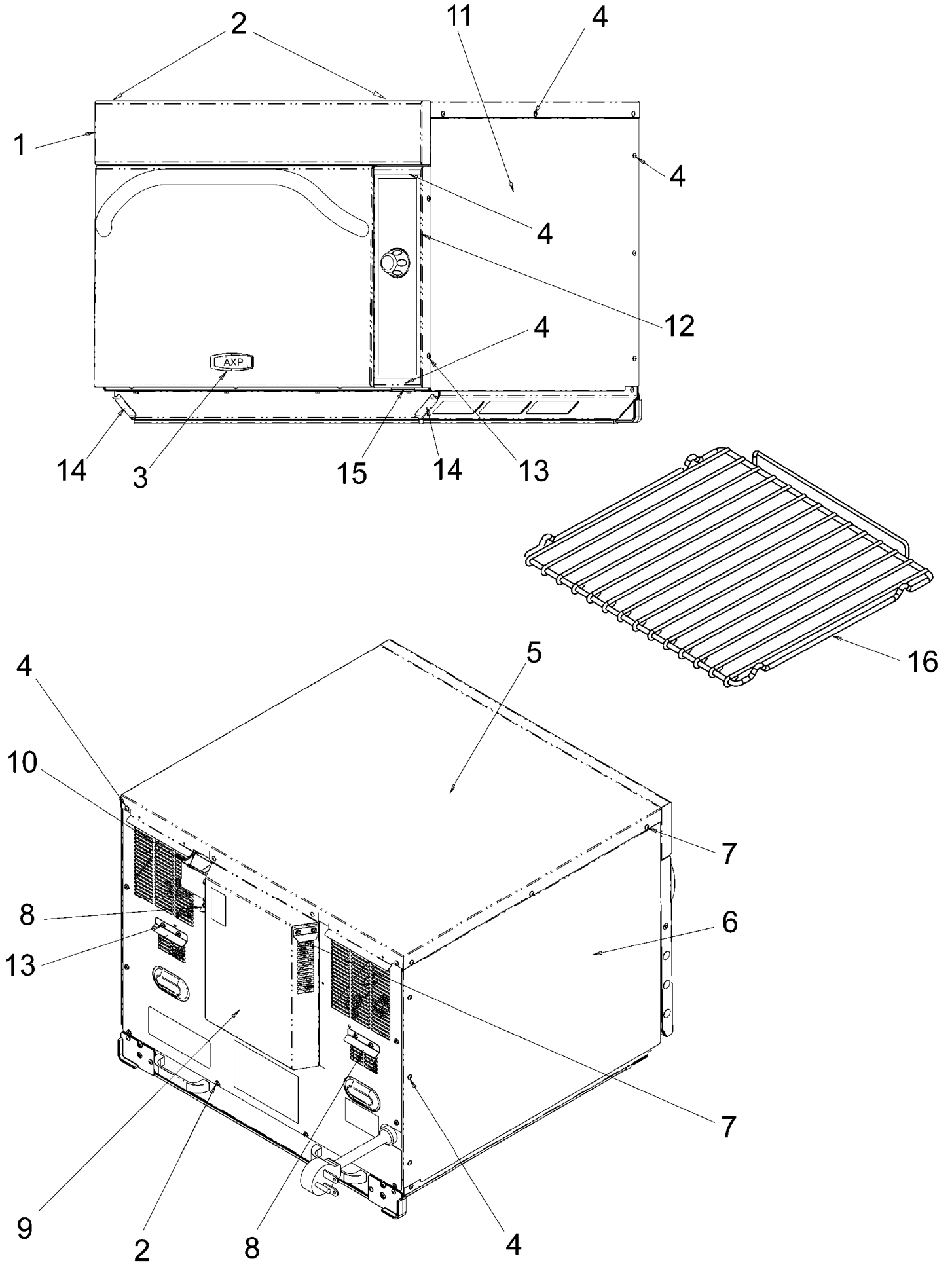
HEATERS



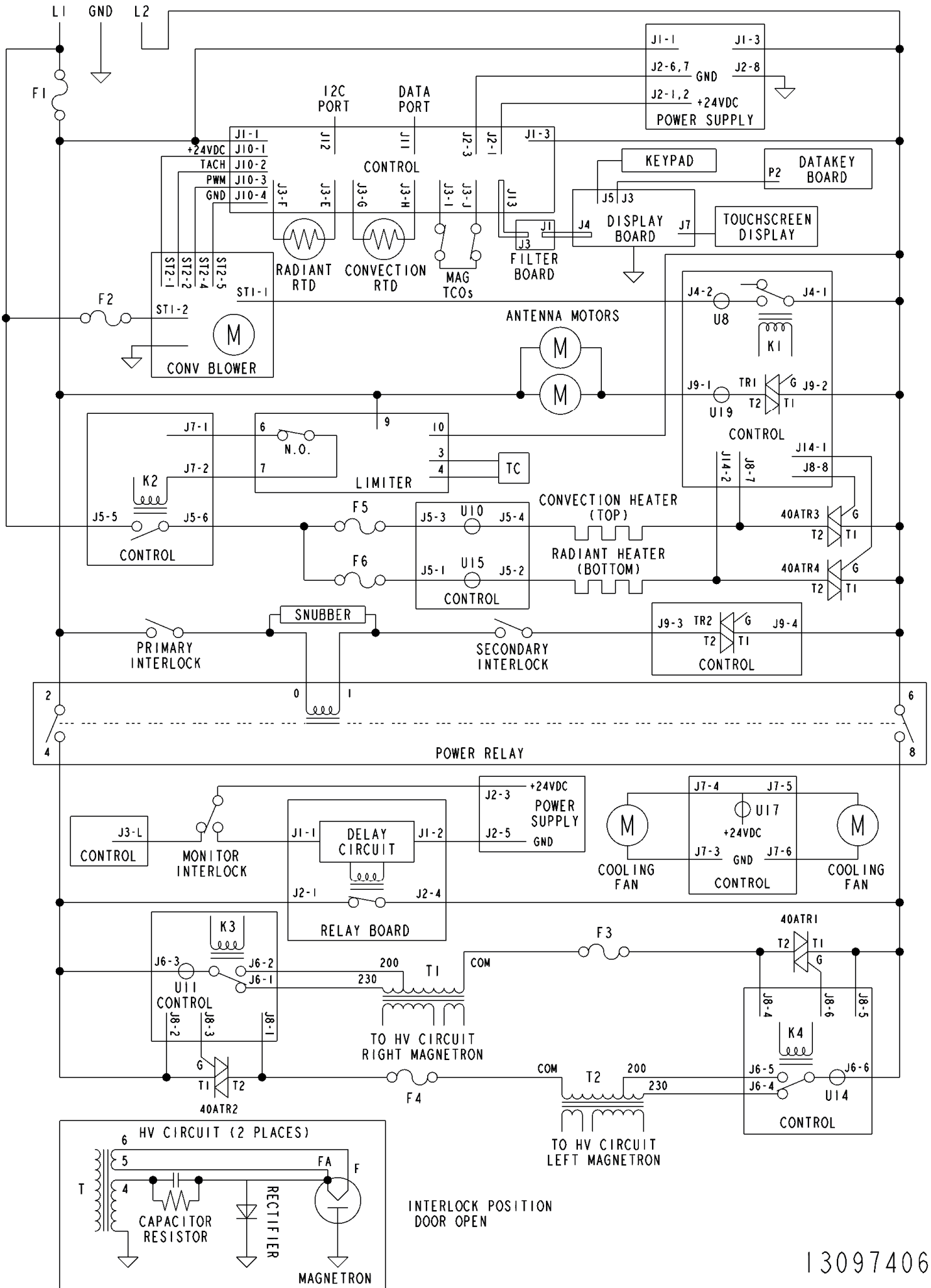
FAN BOX



OUTERCASE



SCHEMATIC



13097406

| Seite | Pos | Kredtor Artikel Nr. | GB |
|-------|-----|---------------------|-----------------------------------|
| 001 | 001 | 14080004 | KIT, STIRRER COVER |
| 001 | 002 | 13079101 | SCREW-MACH/SHLD RoHS |
| 001 | 003 | 14080002 | KIT, ANTENNA & STIRRER COVER- AXP |
| 001 | 004 | 12991605 | SCREW |
| 001 | 005 | 12002872 | KIT, CAM (FOR ANTENNA MOTOR) |
| 001 | 006 | 13083701 | RIVET, NYLON |
| 001 | 007 | 12002867 | KIT, GEAR & RACK |
| 001 | 008 | 14080001 | KIT, TUNING STUB - AXP |
| 001 | 009 | 12002873 | KIT, STIRRER MOTOR |
| 001 | 010 | 12991605 | SCREW |
| 001 | 011 | R0000413 | GASKET, BASEPAN - 90 in (228 cm) |
| 001 | 012 | 59004037 | BASEPAN & GASKET ASSY |
| 001 | 013 | 13097801 | INSUL-HINGE |
| 001 | 014 | 13072801 | KEY-CAVITY EXPANSION |
| 001 | 015 | 21006802 | BRKT-ANTENNA MOTOR |
| 002 | 001 | 59002142 | HANDLE, DOOR |
| 002 | 002 | 13041504 | SCREW-TR/PAN RoHS |
| 002 | 003 | 14080015 | KIT, OUTER DOOR |
| 002 | 004 | 13083601 | SCREW-HI LO/FLAT RoHS |
| 002 | 005 | 13096101 | INSUL-OUTER DOOR |
| 002 | 006 | 13074301 | INSUL-DOOR |
| 002 | 007 | 13094201 | INSUL-DOOR CHOKE |
| 002 | 008 | 13074201 | SPACER-DOOR |
| 002 | 009 | 13047403 | SCREW-TC/FLAT RoHS |
| 002 | 010 | 14080014 | KIT, INNER DOOR |
| 002 | 015 | 59002149 | TOUCH PANEL ASSY |
| 002 | 016 | 12002877 | KIT, DISPLAY TOUCH SCREEN |
| 002 | 017 | 59002119 | HOLDER, DATA KEY |
| 002 | 018 | 59002095 | BOARD,DATA KEY |
| 002 | 019 | 13079401 | COLLAR, KNOB |
| 002 | 020 | 13078901 | KNOB, CONTROL |
| 002 | 021 | 14080008 | KIT, DISPLAY & FILTER BOARDS |
| 002 | 022 | 59002115 | HOLDER, CONTROL |
| 003 | 001 | M0571003 | BUSHING-SNAP |
| 003 | 002 | 13095701 | HANDLE, BASEPAN |
| 003 | 003 | 59002076 | CONVECTION MOTOR ASSY |
| 003 | 004 | 13086601 | BARRIER, RECIRCULATION |
| 003 | 005 | 13084601 | INSUL-TOP/SIDES CAVITY |
| 003 | 006 | 59001682 | BLOCK, FUSE- 3 POLE |
| 003 | 007 | M0805105 | FUSE-12A |
| 003 | 008 | 10091101 | BLOCK-FUSE |
| 003 | 009 | M0805201 | FUSE-25A |
| 003 | 009 | 14090030 | KIT, F1 FUSE- AXP & MXP |
| 003 | 010 | 59002026 | TRIAC (40A) |
| 003 | 011 | B5677215 | BLOCK, TERMINAL |
| 003 | 012 | B5677214 | BLOCK - TERMINAL |
| 003 | 013 | 59001981 | RELAY |
| 003 | 014 | 59002017 | SNUBBER ASSY |
| 003 | 015 | 59002133 | LIMITER, ELECTRONIC |
| 003 | 016 | A3030330 | GASKET, PER FT |
| 003 | 017 | 59002124 | TRANSFORMER, HV |
| 003 | 018 | M0104106 | CLIP-CORD |
| 003 | 019 | 59002121 | SWITCH, PRIMARY INTERLOCK |
| 003 | 020 | 59002122 | INTERLOCK SWITCH ASSY |
| 003 | 021 | B5684130 | THERMAL CUTOUT |
| 003 | 022 | 59001484 | MAGNETRON |
| 003 | 023 | 13078001 | VENT, CAVITY STEAM |
| 003 | 024 | 59002117 | BOARD, RELAY MONITOR |
| 003 | 025 | 59002114 | BOARD, MAIN CONTROL |
| 003 | 026 | 59004001 | POWER CORD |
| 003 | 027 | 59002132 | MOTOR, FAN (24V DC) |
| 003 | 028 | 59002118 | BOARD, POWER SUPPLY (24V DC) |
| 003 | 029 | 59002131 | THERMOCOUPLE |
| 003 | 030 | 59001709 | SENSOR, TEMP |
| 003 | 031 | M0275058 | TAPE-FOAM (ROLL) |
| 003 | 032 | 13081001 | INSUL RETAINER WELD |
| 003 | 033 | 12990524 | SCREW-SM/HEX RoHS |
| 003 | 034 | 13082802 | PLATE-LH FRNT PARTITION |
| 003 | 035 | M0293511 | STUD 6 |

| Seite | Pos | Kreditor Artikel Nr. | GB |
|-------|-----|----------------------|------------------------------|
| 003 | 036 | 13097601 | PLATE-RH FRNT PARTITION |
| 003 | 037 | 59002141 | HINGE |
| 003 | 038 | 59001168 | CAPACITOR- 1.00 |
| 003 | 039 | 59002123 | DIODE |
| 004 | 001 | 12992403 | SCREW-TR/HEX |
| 004 | 002 | 12991609 | SCREW-TC/HEX |
| 004 | 003 | 59002125 | ELEMENT, CONVECTION-TOP |
| 004 | 004 | 13072301 | BOTTOM-RETURN PLENUM |
| 004 | 005 | 13077701 | GASKET-PLENUM NOZZLE |
| 004 | 006 | 13076501 | PLATE-PLENUM RH |
| 004 | 007 | 13076401 | PLATE-PLENUM TOP |
| 004 | 008 | 13076601 | PLATE-PLENUM LH |
| 004 | 009 | 13076301 | CONVERTER - CATALYTIC |
| 004 | 010 | 12002874 | KIT, BOTTOM ELEMENT |
| 004 | 011 | 13096701 | RETAINER-INSUL |
| 004 | 012 | 13087602 | DUCT-LH |
| 004 | 013 | 12991609 | SCREW-TC/HEX |
| 004 | 014 | 13087101 | DUCT-RH |
| 004 | 015 | 13077901 | GASKET-PLENUM RETURN |
| 005 | 001 | 13098502 | ESCUTCHEON- TOP |
| 005 | 002 | 12991605 | SCREW |
| 005 | 003 | 13079803 | NAMEPLATE-AXP |
| 005 | 004 | 13074001 | SCREW-TC/PAN TORX RoHS |
| 005 | 005 | 59002136 | OUTER PANEL, TOP |
| 005 | 006 | 59002137 | OUTER PANEL, RIGHT SIDE |
| 005 | 007 | 13086001 | CAP-SUMP DRIP |
| 005 | 008 | 13082601 | CAP-MAG DRIP |
| 005 | 009 | 13081902 | BACK, OUTERCASE |
| 005 | 010 | 13086801 | HOOD-EXHAUST |
| 005 | 011 | 59002138 | OUTER PANEL, LEFT SIDE |
| 005 | 012 | 13079701 | ESCUTCHEON, SIDE |
| 005 | 013 | 13042001 | SCREW-TF/OVAL RoHS |
| 005 | 014 | 59002139 | FILTER, AIR |
| 005 | 015 | 59002092 | PLUG, DATA KEY |
| 005 | 016 | 59002140 | RACK, OVEN |
| 006 | 001 | 13097406 | SCHEMATIC |
| 006 | 002 | 13097202 | HARNESS, MAIN |
| 006 | 003 | 13017713 | WIRE, JUMPER - MAG FA TO CAP |
| 006 | 004 | 13087301 | HARNESS, CTRL BD TO FLTR BD |
| 006 | 005 | 13087401 | HARNESS-DATA KEY |
| 006 | 006 | 12696201 | HARNESS, HV |

WIRING DIAGRAM

