

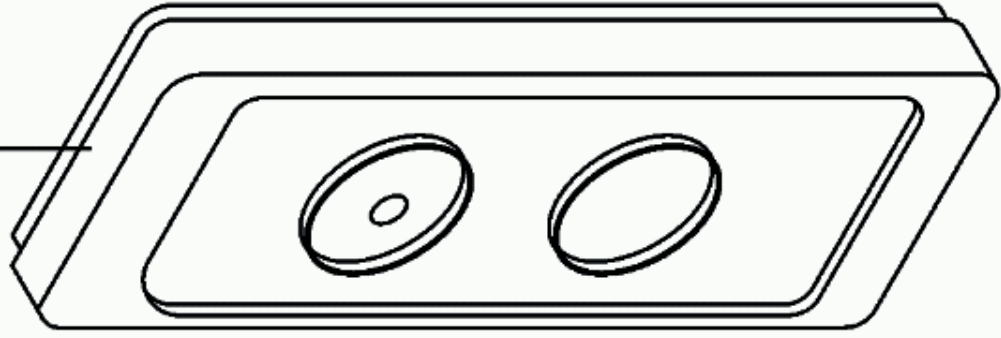
2



3



1



4



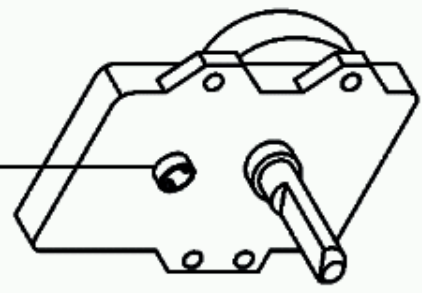
6



7

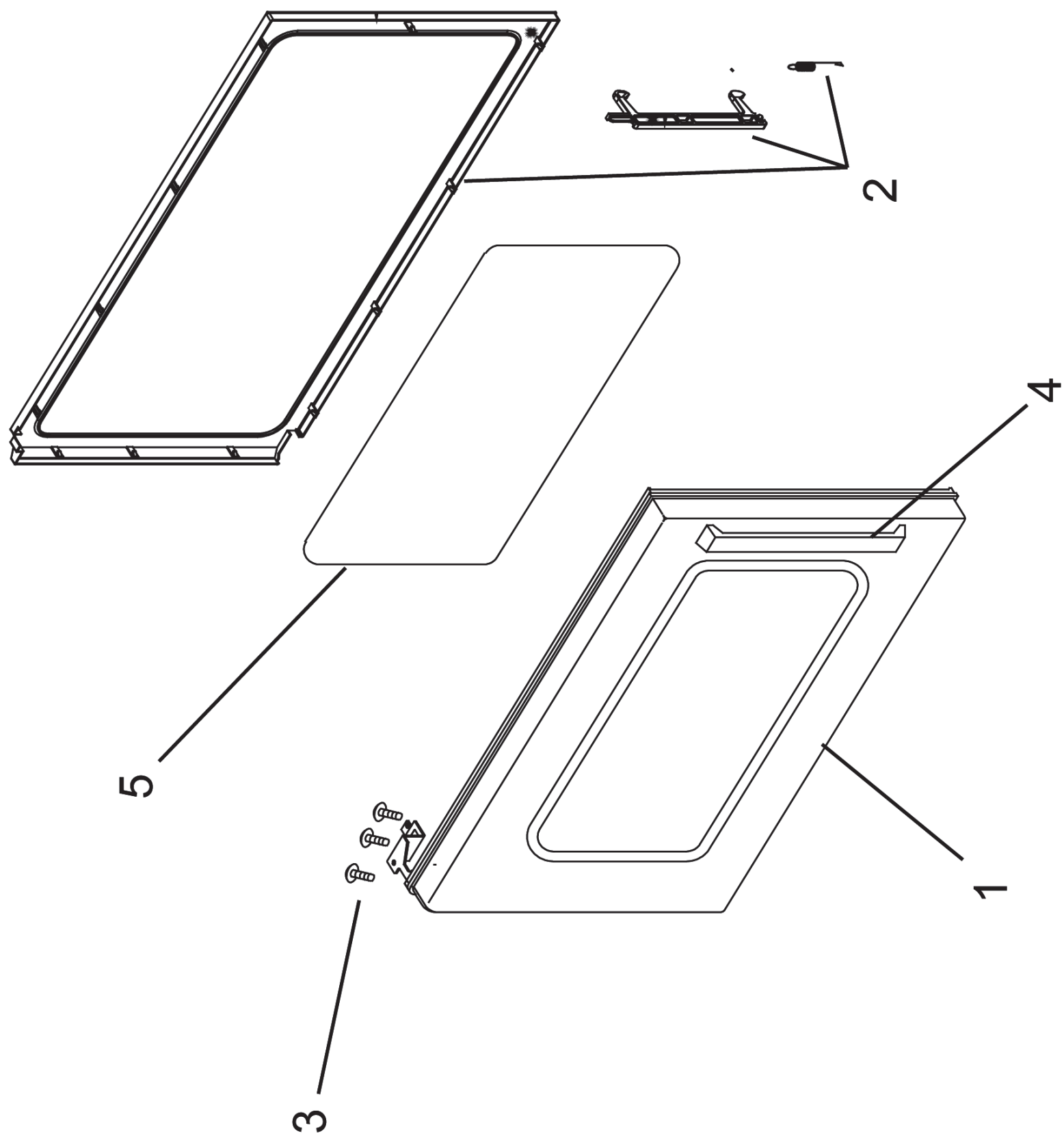


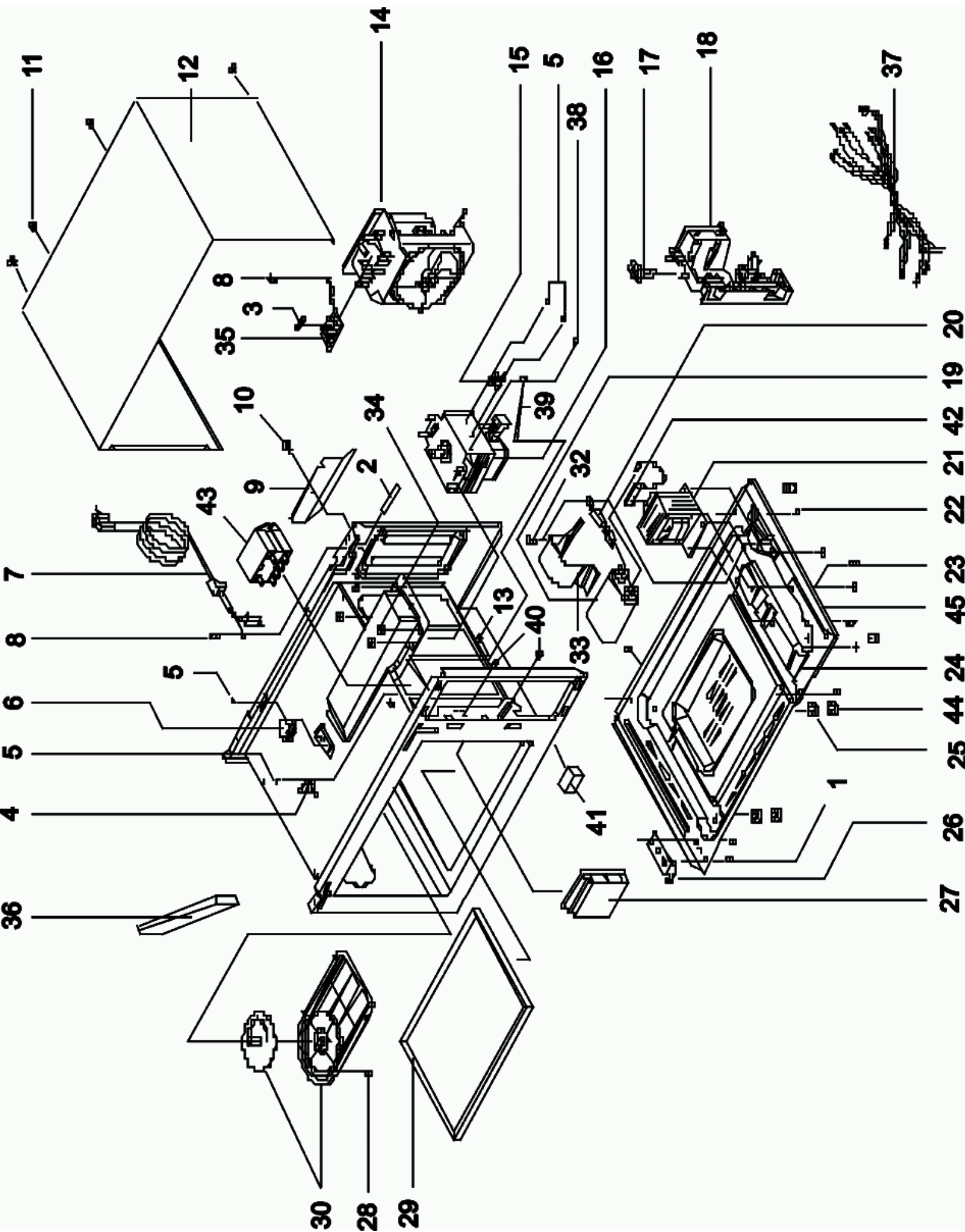
8



6

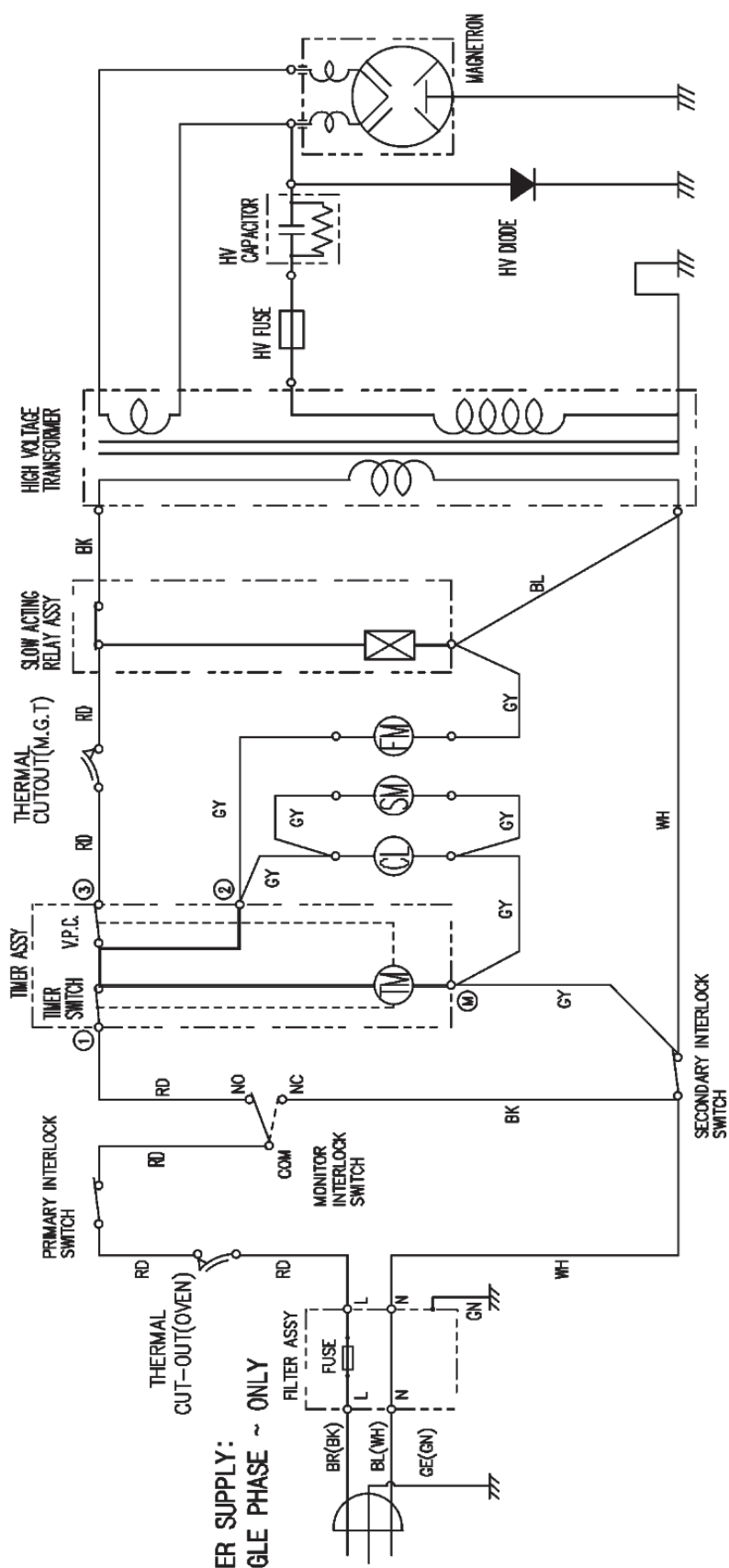
5





20 19 42 21 22 23 45 24 25 26 27

Seite	Pos	Kreditor Artikel Nr.	GB
001	001	56001457	CONTROL PANEL ASSY
001	002	56001416	KNOB, VPC
001	003	56001417	KNOB, TIMER
001	004	56001419	SPRING, FLAT
001	005	56001420	COUPLER, VPC KNOB
001	006	56001210	SCREW
001	007	56001421	COUPLER, TIMER
001	008	56001458	TIMER, DIAL
002	001	56001481	DOOR ASSY- MENUMASTER
002	002	12002624	KIT, SPRING/LATCH/CHOKE COVER
002	003	56001217	SCREW
003	001	56001470	SCREW
003	003	56001475	FUSE, 12 A
003	004	56001426	FUSE, THERMAL- CAVITY
003	005	56001230	SCREW
003	006	56001460	MOTOR, ANTENNA
003	007	56001476	POWER CORD (EU)
003	008	56001461	SCREW
003	009	56001428	AIR DEFLECTOR- REAR
003	010	56001210	SCREW
003	011	56001151	SCREW
003	012	56001429	WRAPPER
003	013	56001210	SCREW
003	014	56001459	BLOWER MOTOR ASSY
003	015	56001432	THERMAL CUTOUT, MAG
003	016	56001462	MAGNETRON
003	017	56001463	LAMP/ SOCKET ASSY
003	018	56002011	SWITCH, INTERLOCK ASSY
003	019	56001464	CAPACITOR
003	020	56001436	DIODE
003	021	56001465	TRANSFORMER, HV
003	022	56001151	SCREW
003	023	56001222	SCREW
003	025	56001224	FOOT, BASE
003	026	56001439	HINGE, BOTTOM
003	027	56001440	AIR GUIDE
003	028	56001450	RIVET ASSY
003	029	56001441	TRAY ASSY
003	030	12002625	KIT, COVER/STIRRER BLADE/RIVETS
003	032	56001153	SCREW
003	033	56001467	NLA- HOLDER, CAPACITOR
003	034	56001051	NUT, HINGE
003	035	56001468	FUSE BLOCK / FILTER ASSY
003	037	56001469	HARNESS MAIN
003	038	56001151	SCREW
003	039	56001447	SUPPORT
003	040	56001470	SCREW
003	042	56001474	FUSE, HV
003	043	56001480	RELAY ASSY
003	044	56001482	FOOT COVER



POWER SUPPLY:
SINGLE PHASE ~ ONLY

- NOTE : RD: RED
WH: WHITE
BK: BLACK
GN: GREEN
BR: BROWN
- OR: ORANGE
BL: BLUE
GY: GRAY
GE: GREEN/YELLOW
- CL: CAVITY LAMP
FM: FAN MOTOR
SM: STIRRER MOTOR
TM: TIMER MOTOR
V.P.C.: VARIABLE CONTROLLER
- [CONDITION]
DOOR: CLOSE
TIMER: ON
V.P.C.: HIGH