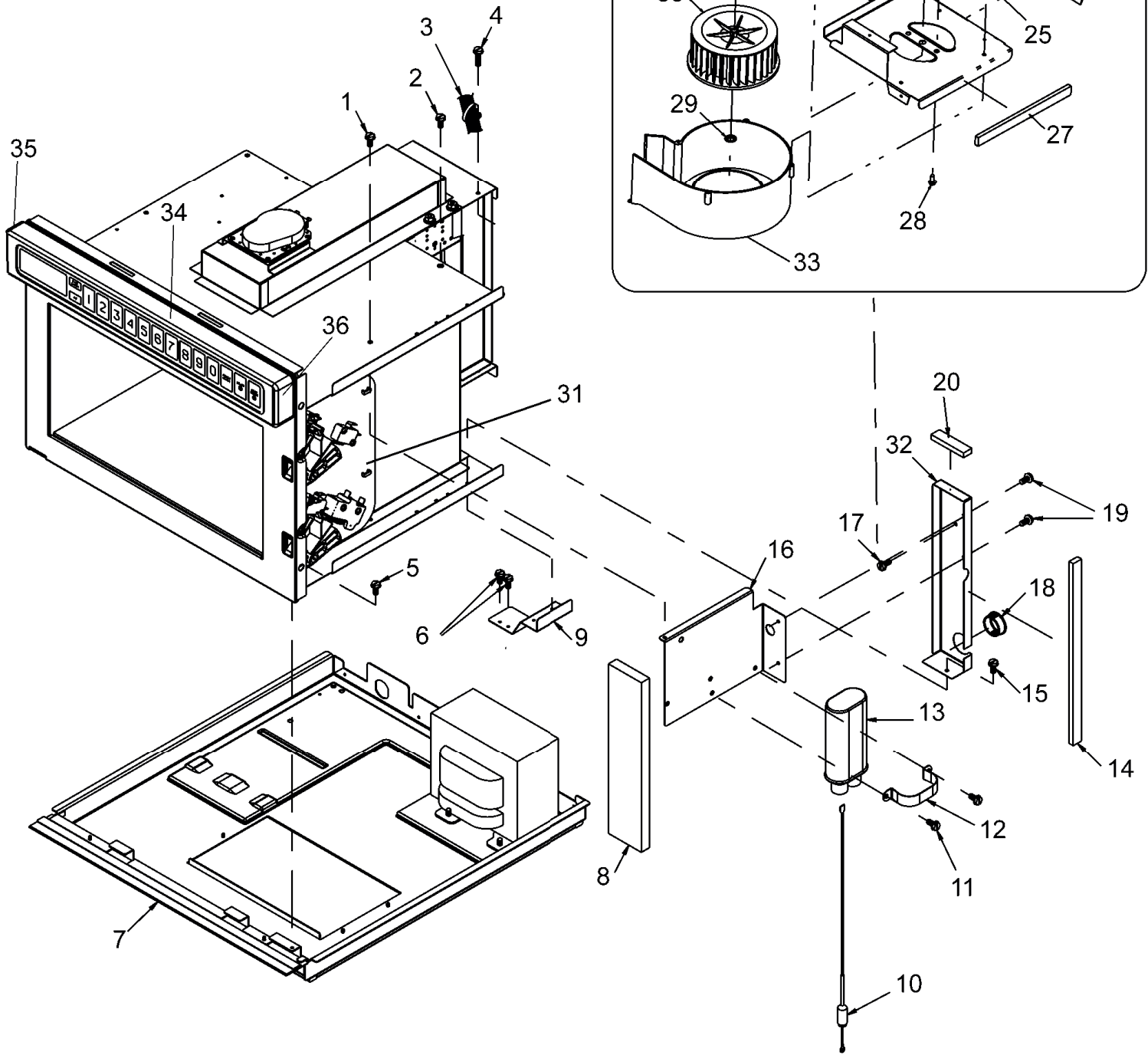
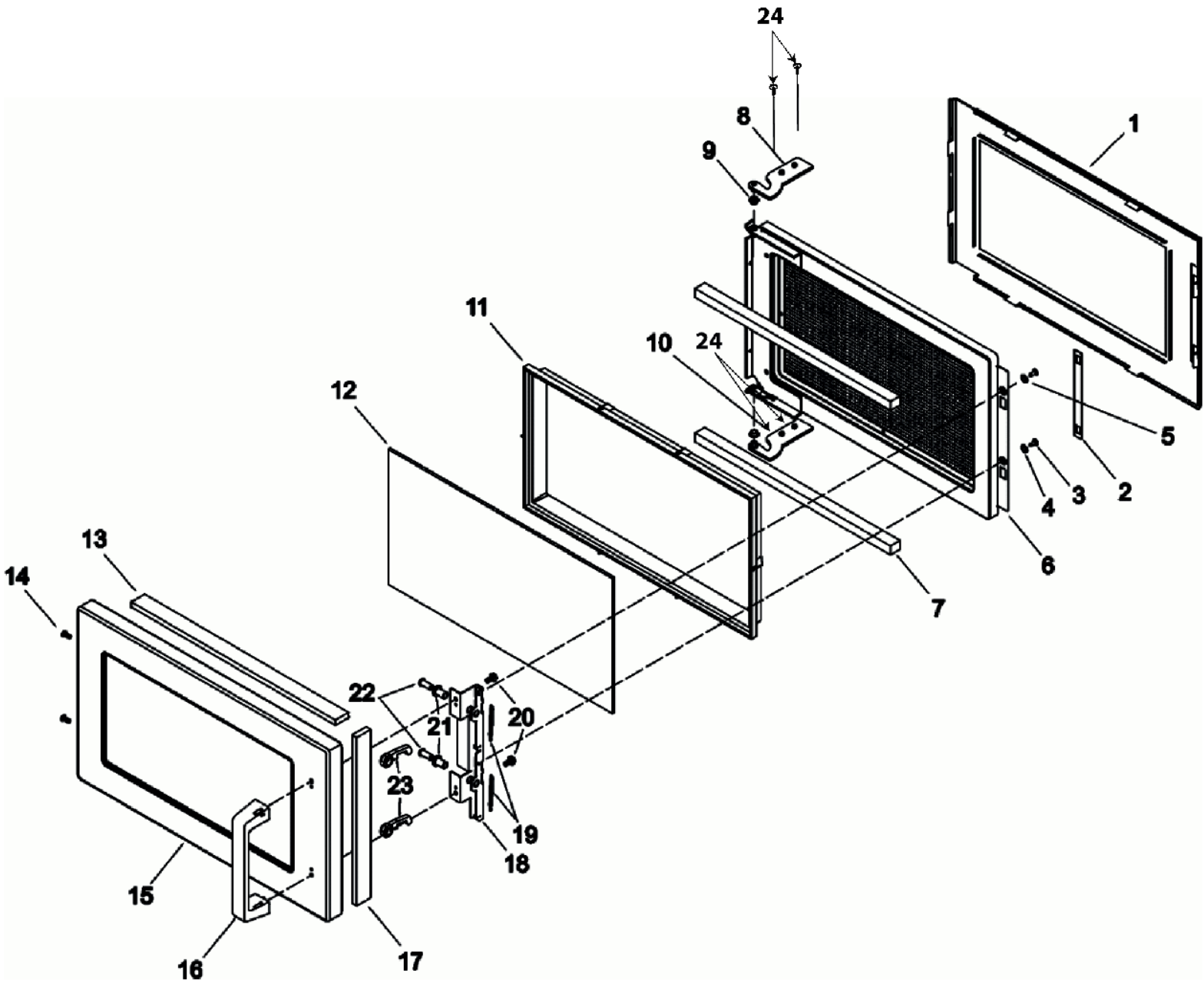


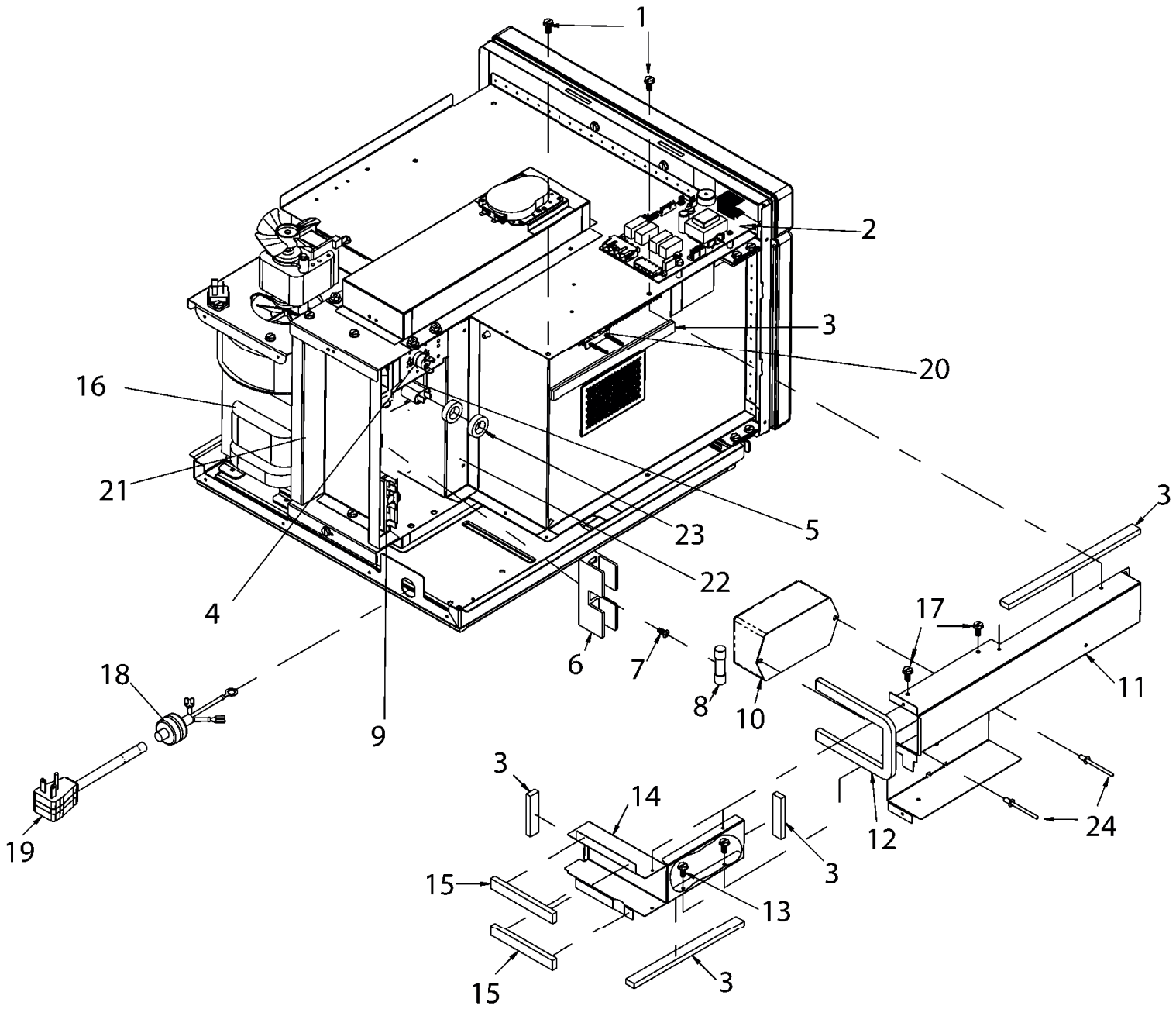
# BLOWER, CAPACITOR, DIODE, INTERLOCK



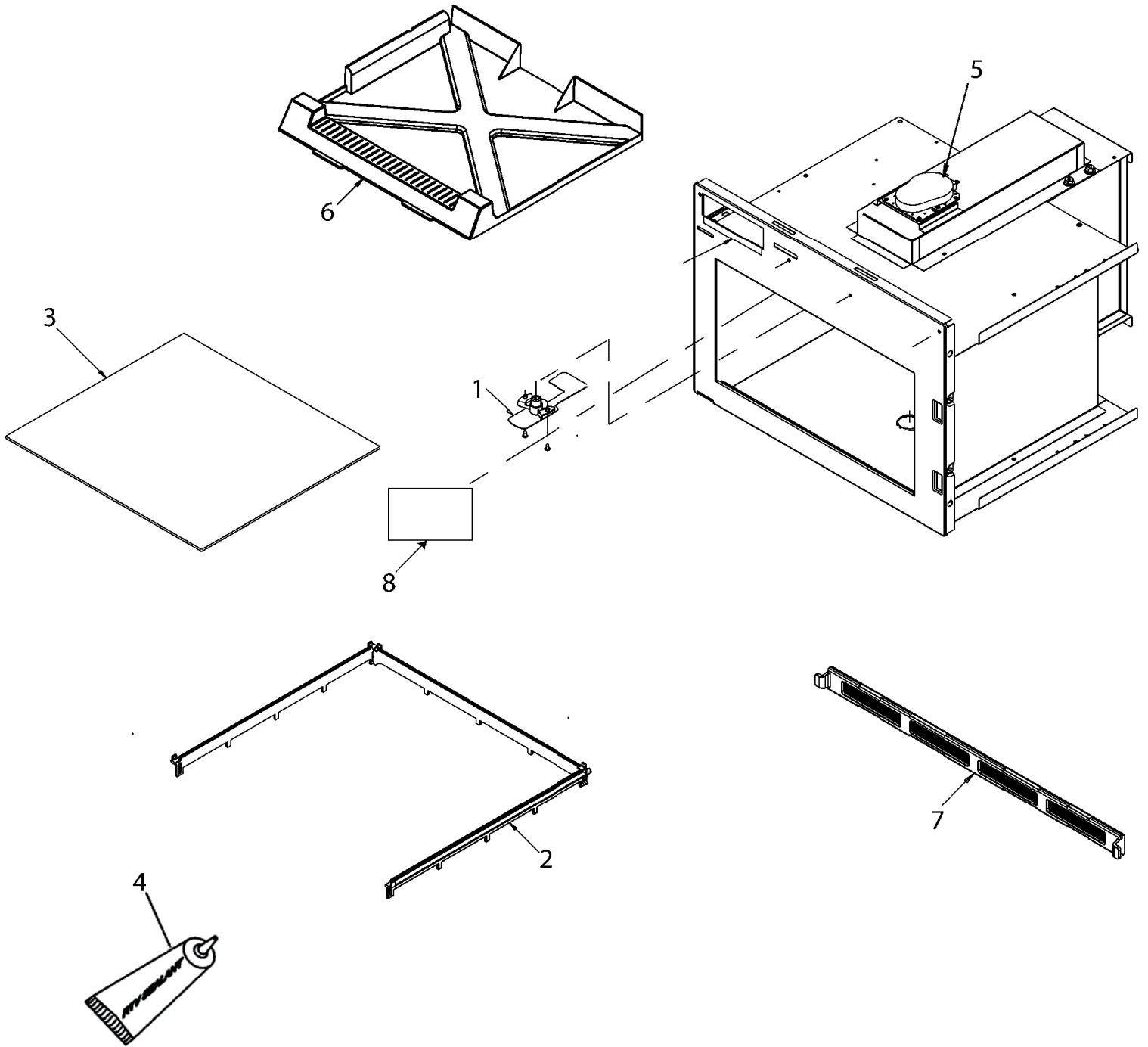
# DOOR



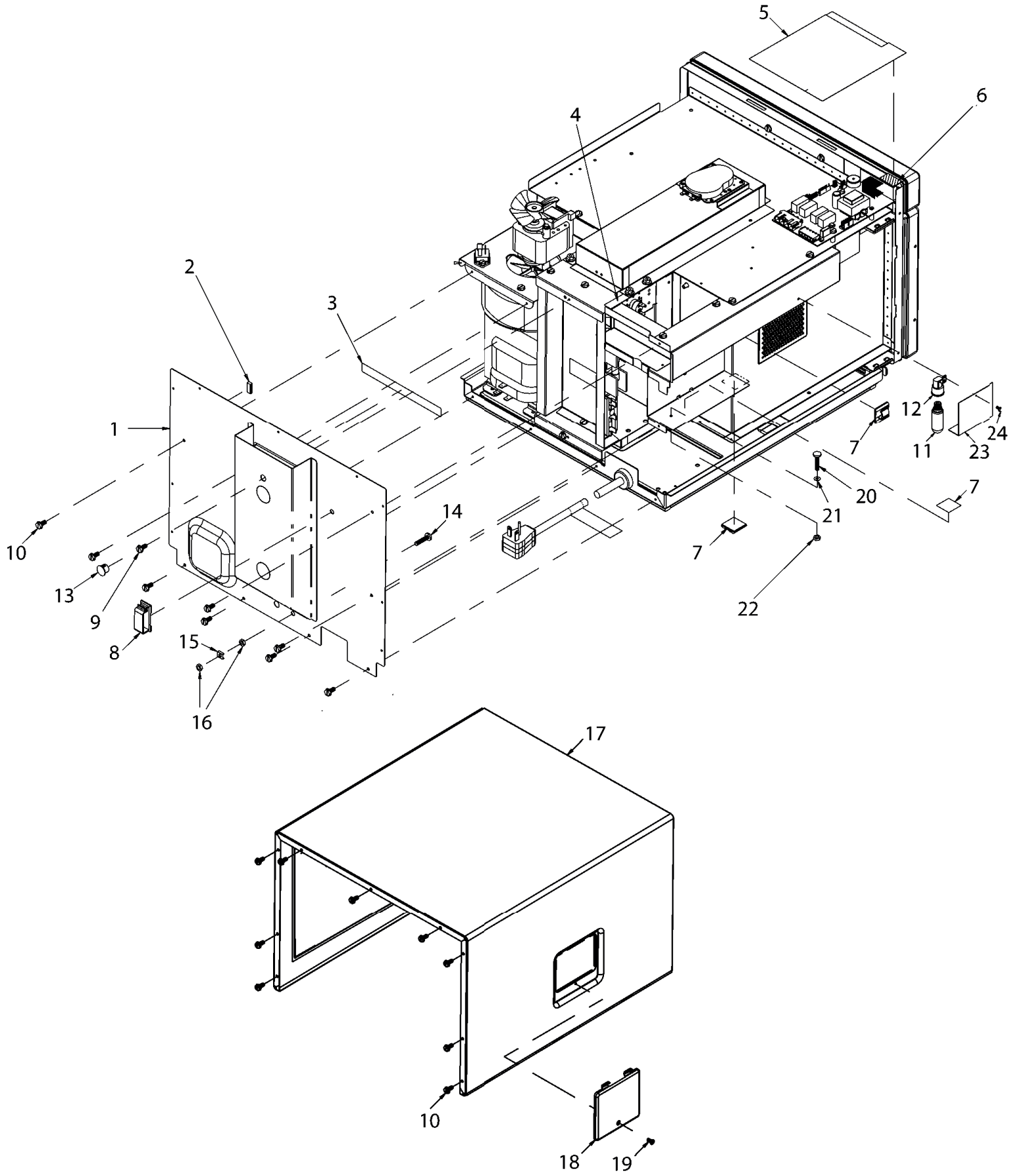
# LV / HV CONTROL, MAGNETRON, DUCTS, FUSE



# TRAY, CAVITY, ANTENNA



# WRAPPER / REAR COVER / LAMP



| Seite | Pos | Kreditor Artikel Nr. | GB                       |
|-------|-----|----------------------|--------------------------|
| 001   | 001 | 12990524             | SCREW-SM/HEX RoHS        |
| 001   | 002 | 12990522             | SCREW-SM/HEX RoHS        |
| 001   | 003 | 20043501             | HARNESS, OVEN            |
| 001   | 004 | 12990523             | SCREW-SM/HEX RoHS        |
| 001   | 005 | 12990524             | SCREW-SM/HEX RoHS        |
| 001   | 006 | 12990522             | SCREW-SM/HEX RoHS        |
| 001   | 007 | 59002074             | BASEPAN & GASKET ASSY    |
| 001   | 008 | 12525702             | BARRIER-AIR              |
| 001   | 009 | 12529501             | BRKT-DIODE               |
| 001   | 010 | 20037701             | DIODE                    |
| 001   | 011 | 12990524             | SCREW-SM/HEX RoHS        |
| 001   | 012 | 21010502             | BRKT-CAPACITOR           |
| 001   | 013 | 59002153             | CAPACITOR-.74            |
| 001   | 014 | 59004077             | GASKET, PER FT           |
| 001   | 015 | 12990522             | SCREW-SM/HEX RoHS        |
| 001   | 016 | 21010501             | CAPACITOR BRKT-FLAT      |
| 001   | 017 | 12990522             | SCREW-SM/HEX RoHS        |
| 001   | 018 | A3293506             | BUSHING - SNAP           |
| 001   | 019 | 12990524             | SCREW-SM/HEX RoHS        |
| 001   | 020 | 59004077             | GASKET, PER FT           |
| 001   | 021 | B5706704             | BLADE, FAN               |
| 001   | 022 | 59004019             | MOTOR, BLOWER            |
| 001   | 023 | 12990522             | SCREW-SM/HEX RoHS        |
| 001   | 024 | 59002162             | GASKET, PER FT           |
| 001   | 025 | R0157373             | KIT, TRIAC               |
| 001   | 026 | 12271103             | BRKT-BLOWER WSH          |
| 001   | 027 | 59002162             | GASKET, PER FT           |
| 001   | 028 | 12990522             | SCREW-SM/HEX RoHS        |
| 001   | 029 | M0118901             | CLIP                     |
| 001   | 030 | 12138201             | WHEEL, BLOWER            |
| 001   | 031 | 59002060             | INTERLOCK SWITCH ASSY    |
| 001   | 032 | 12525702             | BARRIER-AIR              |
| 001   | 033 | 12138302             | SCROLL, BLOWER           |
| 001   | 034 | 59104138             | TOUCH PANEL ASSY         |
| 001   | 035 | 12131002             | ENDCAP-ESC LEFT          |
| 001   | 036 | 12131001             | ENDCAP-ESC RIGHT         |
| 002   | 001 | 59004007             | INNER DOOR ASSY          |
| 002   | 002 | 12526201             | LINKAGE-DOOR LATCH       |
| 002   | 003 | 13047402             | SCREW-TC/FLAT RoHS       |
| 002   | 004 | M0274066             | WASHER-NYLON             |
| 002   | 005 | M0272513             | WASHER                   |
| 002   | 006 | 13098101             | DOOR RING WELD           |
| 002   | 007 | 10966601             | GASKET-NEOPRENE          |
| 002   | 008 | 12126805Q            | TOP HINGE PLATE WELD     |
| 002   | 009 | 5210001001           | WASHER-NYLON SHOULDER    |
| 002   | 010 | 12126806Q            | BOTTOM HINGE PLATE WELD  |
| 002   | 011 | R0150147             | RETAINER, LENS           |
| 002   | 012 | 59001236             | WINDOW, OUTER            |
| 002   | 013 | 12210804             | ABSORBER-ENERGY          |
| 002   | 014 | 12990402             | SCREW-SM/TRUSS TORX RoHS |
| 002   | 015 | R9900567             | DOOR, OUTER              |
| 002   | 016 | 12133901             | HANDLE-DOOR              |
| 002   | 017 | 12210803             | ABSORBER-ENERGY          |
| 002   | 018 | 12114401             | BRKT-DOOR LATCH WSH      |
| 002   | 019 | C8893502             | SPRING-DOOR LATCH        |
| 002   | 020 | 12992307             | SCREW-TF/HEX RoHS        |
| 002   | 021 | M0800501             | SPACER                   |
| 002   | 022 | 12127002             | PIN, LATCH               |
| 002   | 023 | 12126901             | LATCH-DOOR               |
| 002   | 024 | 13048901             | SCREW-TF/HEX RoHS        |
| 003   | 001 | 12990524             | SCREW-SM/HEX RoHS        |
| 003   | 002 | 59004111             | BOARD, HV/LV             |
| 003   | 003 | M0275058             | TAPE-FOAM (ROLL)         |
| 003   | 004 | B5684129             | THERMAL CUTOUT           |
| 003   | 005 | 59004013             | MAGNETRON                |
| 003   | 006 | 10091101             | BLOCK-FUSE               |
| 003   | 007 | 12990522             | SCREW-SM/HEX RoHS        |
| 003   | 008 | M0805202             | FUSE-15A                 |
| 003   | 009 | B5677203             | BLOCK-TERMINAL           |

| Seite | Pos | Kredtor Artikel Nr. | GB                               |
|-------|-----|---------------------|----------------------------------|
| 003   | 010 | 59001893            | FILTER, LINE                     |
| 003   | 011 | 12135604            | CAVITY EXH DUCT-E CT             |
| 003   | 012 | A3030302            | GASKET                           |
| 003   | 013 | 12990522            | SCREW-SM/HEX RoHS                |
| 003   | 014 | 12135704            | DUCT, CAVITY EXHAUST             |
| 003   | 015 | 59002162            | GASKET, PER FT                   |
| 003   | 016 | 59114145            | TRANSFORMER, HV                  |
| 003   | 017 | 12992305            | SCREW-TF/HEX RoHS                |
| 003   | 018 | M0370009            | RELIEF-STRAIN                    |
| 003   | 019 | 59002001            | POWER CORD                       |
| 003   | 020 | 59001874            | THERMAL CUTOFF, CAVITY           |
| 003   | 021 | 12107407            | DUCT, MAG OUTLET                 |
| 003   | 022 | 12107304            | DUCT, MAG INLET                  |
| 003   | 023 | 44780P01            | TOROID                           |
| 003   | 024 | A4539638            | RIVET-POP RoHS                   |
| 004   | 001 | R0150185            | KIT, ANTENNA- TOP                |
| 004   | 002 | 14109044            | KIT, TRAY SUPPORTS & SEALER      |
| 004   | 003 | 14109040            | KIT, CERAMIC TRAY & SEALER       |
| 004   | 004 | 59002167            | SEALER                           |
| 004   | 005 | R0150197            | KIT, ANTENNA MOTOR- TOP          |
| 004   | 006 | 59004011            | ANTENNA SHIELD                   |
| 004   | 007 | 59001659            | FILTER, AIR                      |
| 004   | 008 | R9900114            | KIT, WINDOW                      |
| 005   | 001 | 12296804            | ACCESS PANEL-E CT                |
| 005   | 002 | 59002162            | GASKET, PER FT                   |
| 005   | 003 | R0000413            | GASKET, BASEPAN - 90 in (228 cm) |
| 005   | 004 | 59002162            | GASKET, PER FT                   |
| 005   | 005 | 12160602            | SHIELD-SPILL                     |
| 005   | 006 | M0275163            | TAPE-TRANSFER (ROLL)             |
| 005   | 007 | M0104106            | CLIP-CORD                        |
| 005   | 008 | M0118705            | NLA- CLIP-GUIDE                  |
| 005   | 009 | 12990525            | SCREW-SM/HEX RoHS                |
| 005   | 010 | 12990525            | SCREW-SM/HEX RoHS                |
| 005   | 011 | 59002071            | LAMP                             |
| 005   | 012 | 12163802            | RECEPTACLE-EXPORT                |
| 005   | 013 | 13098801            | PLUG, HOLE                       |
| 005   | 014 | M0293512            | STUD -M6                         |
| 005   | 015 | 12152201            | WASHER-U TYPE                    |
| 005   | 016 | 13045504            | NUT - M6 KEPS                    |
| 005   | 017 | 12408501Q           | WRAPPER                          |
| 005   | 018 | 10785608            | COVER-LIGHT                      |
| 005   | 019 | 13042002            | SCREW-TF/OVAL RoHS               |
| 005   | 020 | M0293511            | STUD 6                           |
| 005   | 021 | M0272513            | WASHER                           |
| 005   | 022 | 13045501            | NUT -#6 KEPS                     |
| 005   | 023 | 12544201            | BARRIER-LAMP                     |
| 005   | 024 | 12992307            | SCREW-TF/HEX RoHS                |

# WIRING DIAGRAM

230V 50HZ  
3-WIRE

SCHEMATIC  
CONDITION:  
DOOR OPEN

