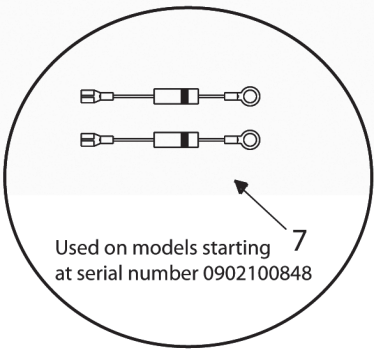
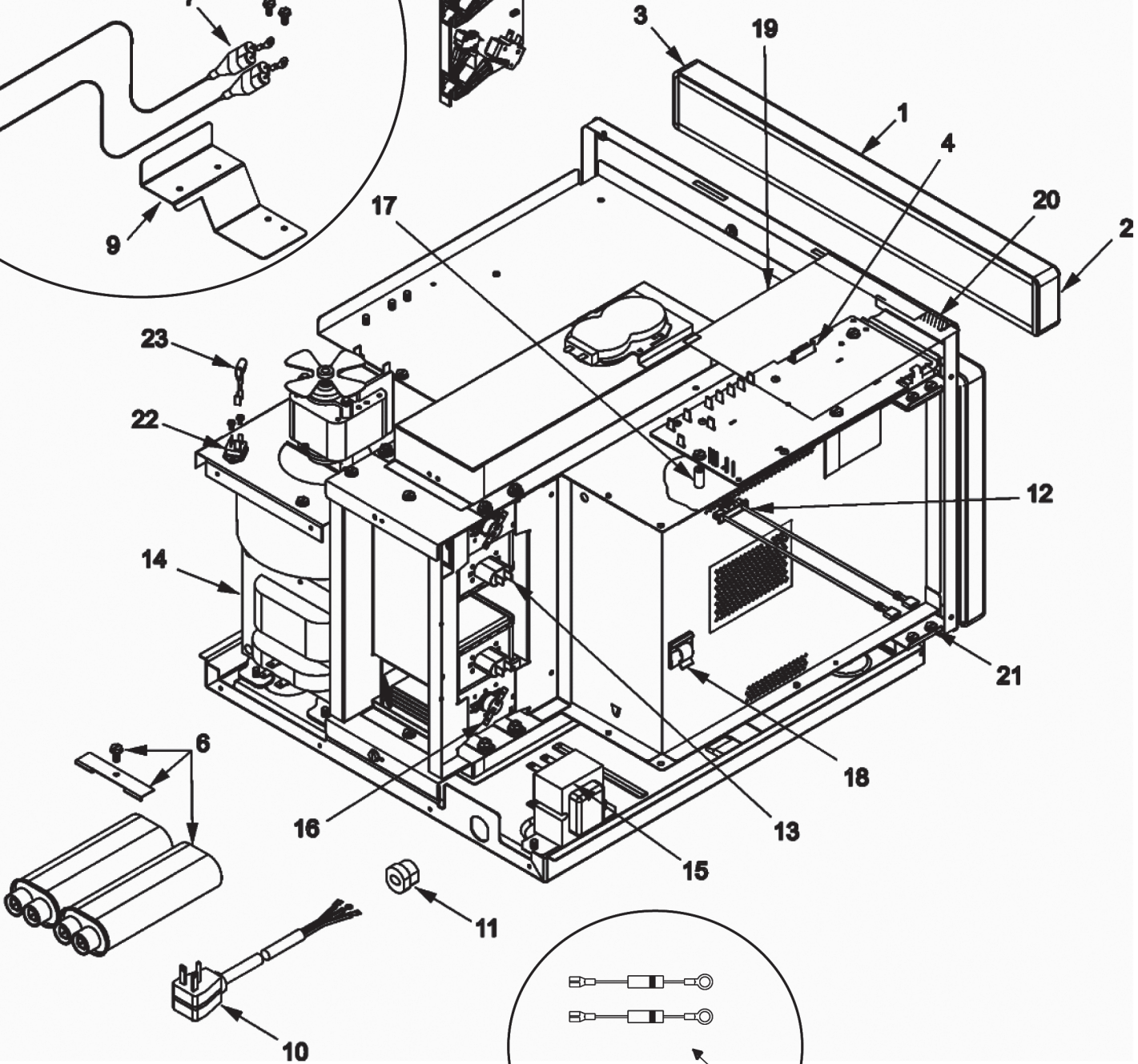
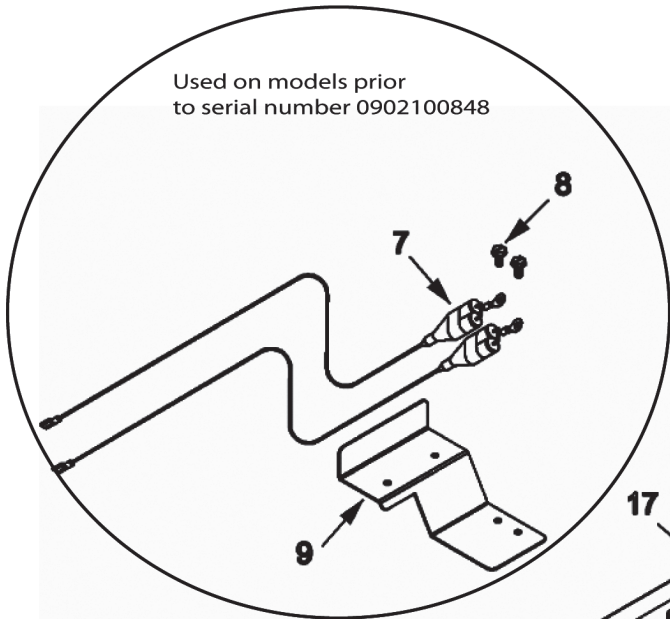
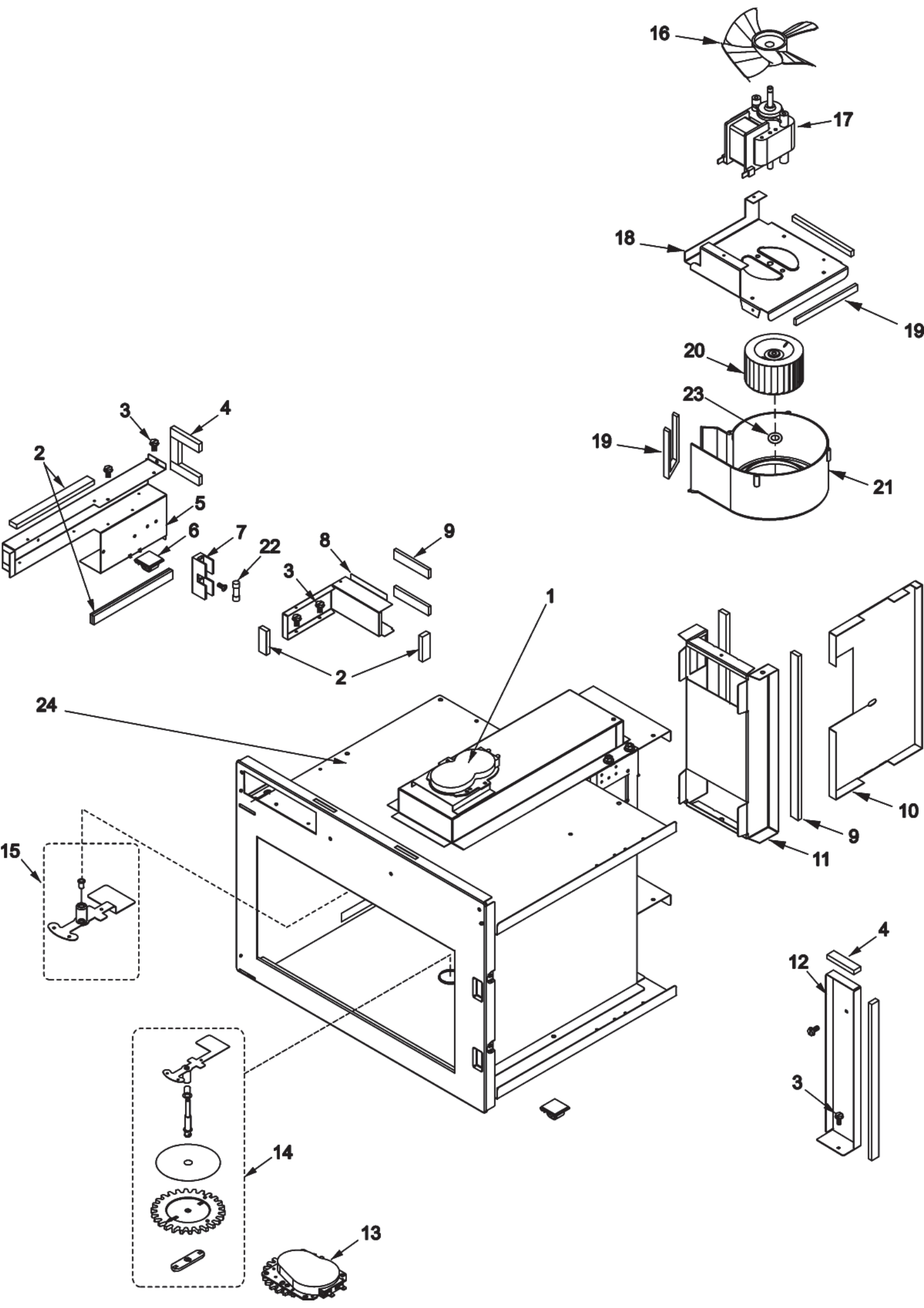
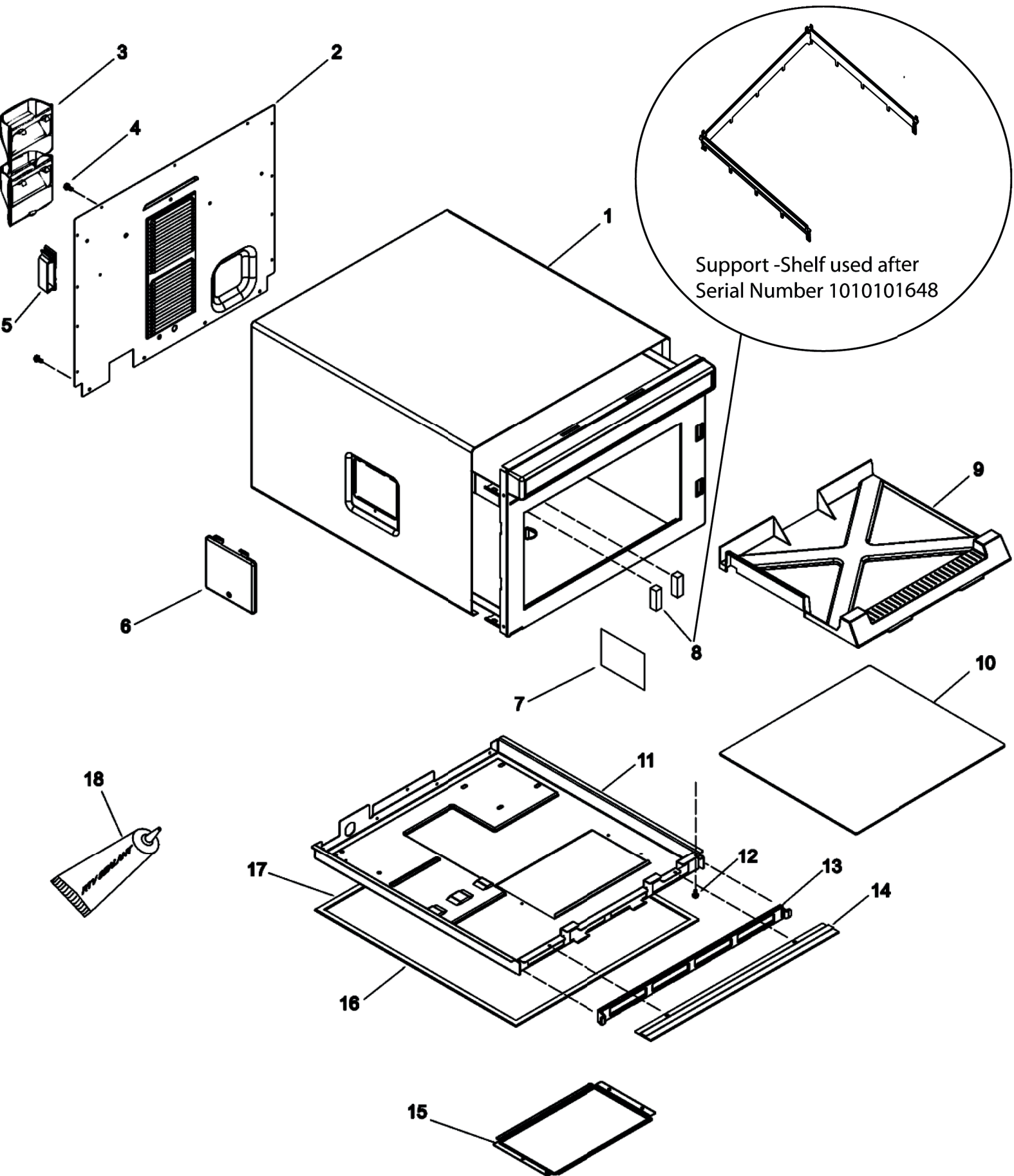


Used on models prior to serial number 0902100848



Used on models starting at serial number 0902100848





Seite	Pos	Kreditor Artikel Nr.	GB
001	001	59004007	INNER DOOR ASSY
001	002	12526201	LINKAGE-DOOR LATCH
001	003	13047402	SCREW-TC/FLAT RoHS
001	004	M0274066	WASHER-NYLON
001	005	M0272513	WASHER
001	006	13098101	DOOR RING WELD
001	007	10966601	GASKET-NEOPRENE
001	008	12126805Q	TOP HINGE PLATE WELD
001	009	5210001001	WASHER-NYLON SHOULDER
001	010	12126806Q	BOTTOM HINGE PLATE WELD
001	011	R0150147	RETAINER, LENS
001	012	59001236	WINDOW, OUTER
001	013	12210804	ABSORBER-ENERGY
001	014	12990402	SCREW-SM/TRUSS TORX RoHS
001	015	R9900567	DOOR, OUTER
001	016	12133901	HANDLE-DOOR
001	017	12210803	ABSORBER-ENERGY
001	018	12114401	BRKT-DOOR LATCH WSH
001	019	C8893502	SPRING-DOOR LATCH
001	020	12992307	SCREW-TF/HEX RoHS
001	021	M0800501	SPACER
001	022	59002069	PIN, LATCH
001	023	12126901	LATCH-DOOR
002	001	59004020	TOUCH PANEL ASSY
002	002	12131001	ENDCAP-ESC RIGHT
002	003	12131002	ENDCAP-ESC LEFT
002	004	59114142	BOARD, HV/LV
002	005	59002060	INTERLOCK SWITCH ASSY
002	006	59001650	CAPACITOR- .82
002	007	R9800022	KIT, DIODE
002	007	13091701	DIODE
002	008	12991101	SCREW-SM/KNIFE RoHS
002	009	12529501	BRKT-DIODE
002	010	10098934	POWER CORD
002	011	M0370003	RELIEF-STRAIN
002	012	59001874	THERMAL CUTOUT, CAVITY
002	013	59004013	MAGNETRON
002	014	59004031	TRANSFORMER, HV
002	015	59001630	TRANSFORMER, AUTO
002	016	B5684121	THERMAL CUTOUT
002	017	M0308801	CAP-SCREW
002	018	M0104106	CLIP-CORD
002	019	12160602	SHIELD-SPILL
002	020	M0275163	TAPE-TRANSFER (ROLL)
002	021	13048901	SCREW-TF/HEX RoHS
002	022	R0157373	KIT, TRIAC
002	023	59002017	SNUBBER ASSY
002	024	R9900584	KIT, RECEPTACLE
002	025	59002146	LAMP
003	001	R0150197	KIT, ANTENNA MOTOR- TOP
003	002	M0275058	TAPE-FOAM (ROLL)
003	003	12990522	SCREW-SM/HEX RoHS
003	004	A3030302	GASKET
003	005	12135604	CAVITY EXH DUCT-E CT
003	006	M0104106	CLIP-CORD
003	007	10091101	BLOCK-FUSE
003	009	59002162	GASKET, PER FT
003	010	12905601	FLOW DIVIDER
003	011	12107407	DUCT, MAG OUTLET
003	012	12525701	BARRIER-AIR
003	013	R9900668	KIT, ANTENNA MOTOR- BOTTOM
003	014	R9900585	KIT, ANTENNA- BOTTOM
003	015	R0150185	KIT, ANTENNA- TOP
003	016	B5706704	BLADE, FAN
003	017	59004019	MOTOR, BLOWER
003	018	12271103	BRKT-BLOWER WSH
003	019	59002162	GASKET, PER FT
003	020	12138201	WHEEL, BLOWER
003	021	12138302	SCROLL, BLOWER

Seite	Pos	Kreditor Artikel Nr.	GB
003	022	M0805303	FUSE-20A
003	023	M0118901	CLIP
003	024	12002678	KIT, CAVITY- HDC18, 21
004	001	12408501Q	WRAPPER
004	002	12296804	ACCESS PANEL-E CT
004	003	12296601	DUCT-AIR
004	004	12990525	SCREW-SM/HEX RoHS
004	005	M0118705	NLA- CLIP-GUIDE
004	006	10785608	COVER-LIGHT
004	007	R9900114	KIT, WINDOW
004	008	14109044	KIT, TRAY SUPPORTS & SEALER
004	009	59004011	ANTENNA SHIELD
004	010	14109040	KIT, CERAMIC TRAY & SEALER
004	011	59002074	BASEPAN & GASKET ASSY
004	012	12991101	SCREW-SM/KNIFE RoHS
004	013	59001659	FILTER, AIR
004	014	12873701	TRIM, OC
004	015	12486002	BASE COVER-E CT
004	016	R0000413	GASKET, BASEPAN - 90 in (228 cm)
004	017	R0000413	GASKET, BASEPAN - 90 in (228 cm)
004	018	59002167	SEALER
		20026501	HARNESS, OVEN
		13017901	HARNESS- HI VOLT
		59002066	HARNESS, LW ANTENNA
		12155701	LABEL-MENU