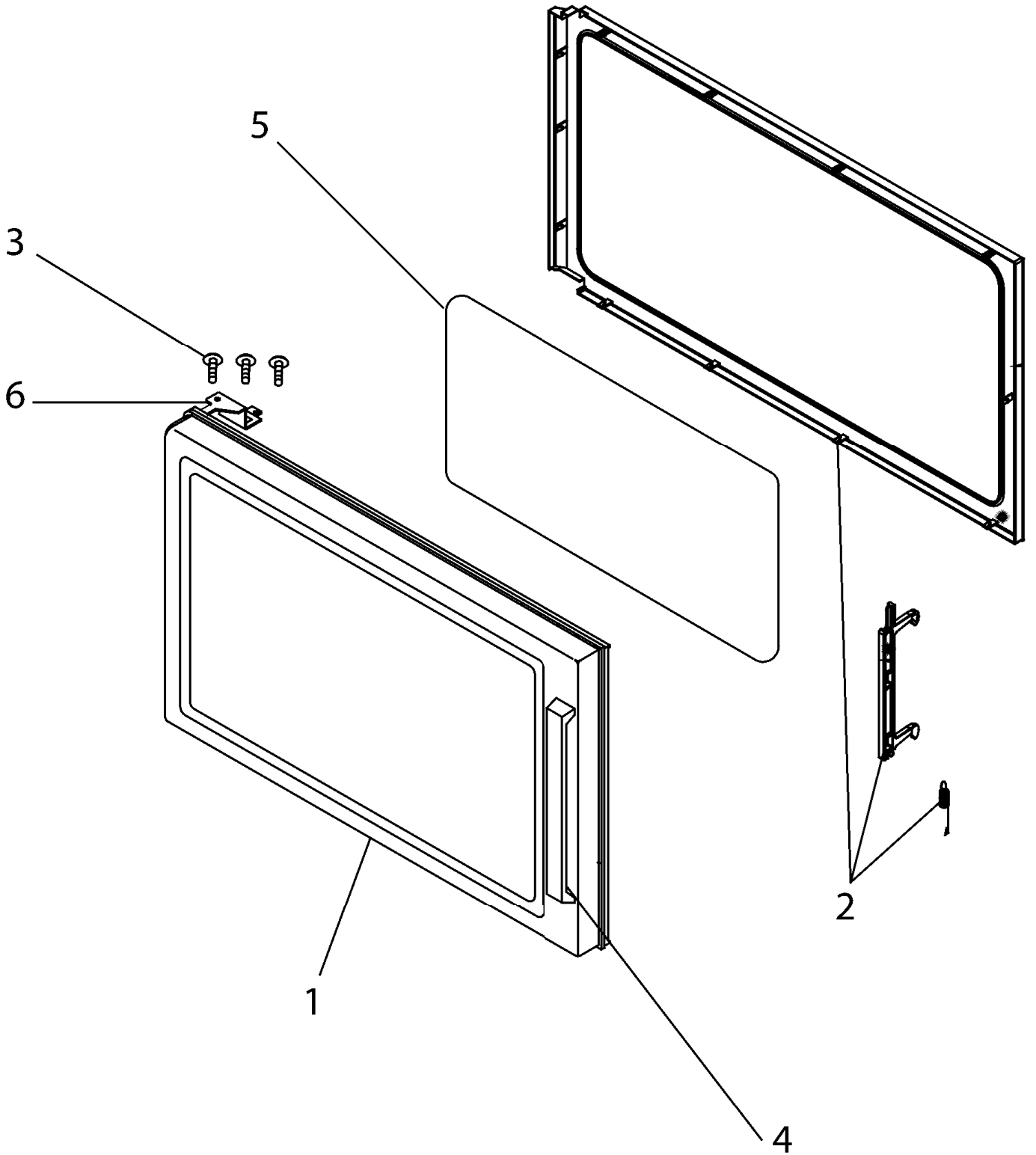
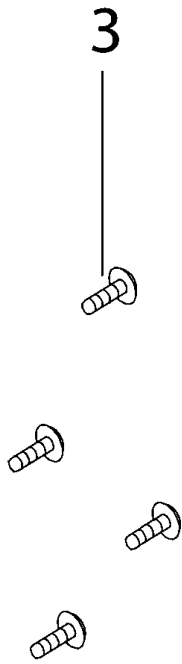
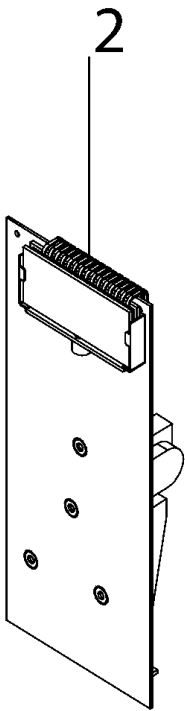
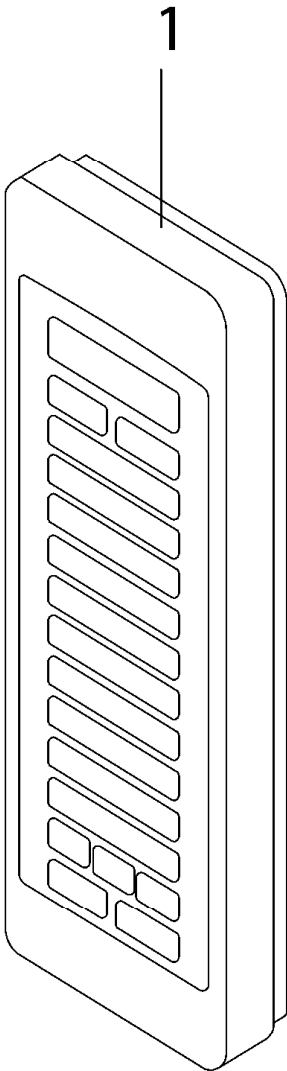


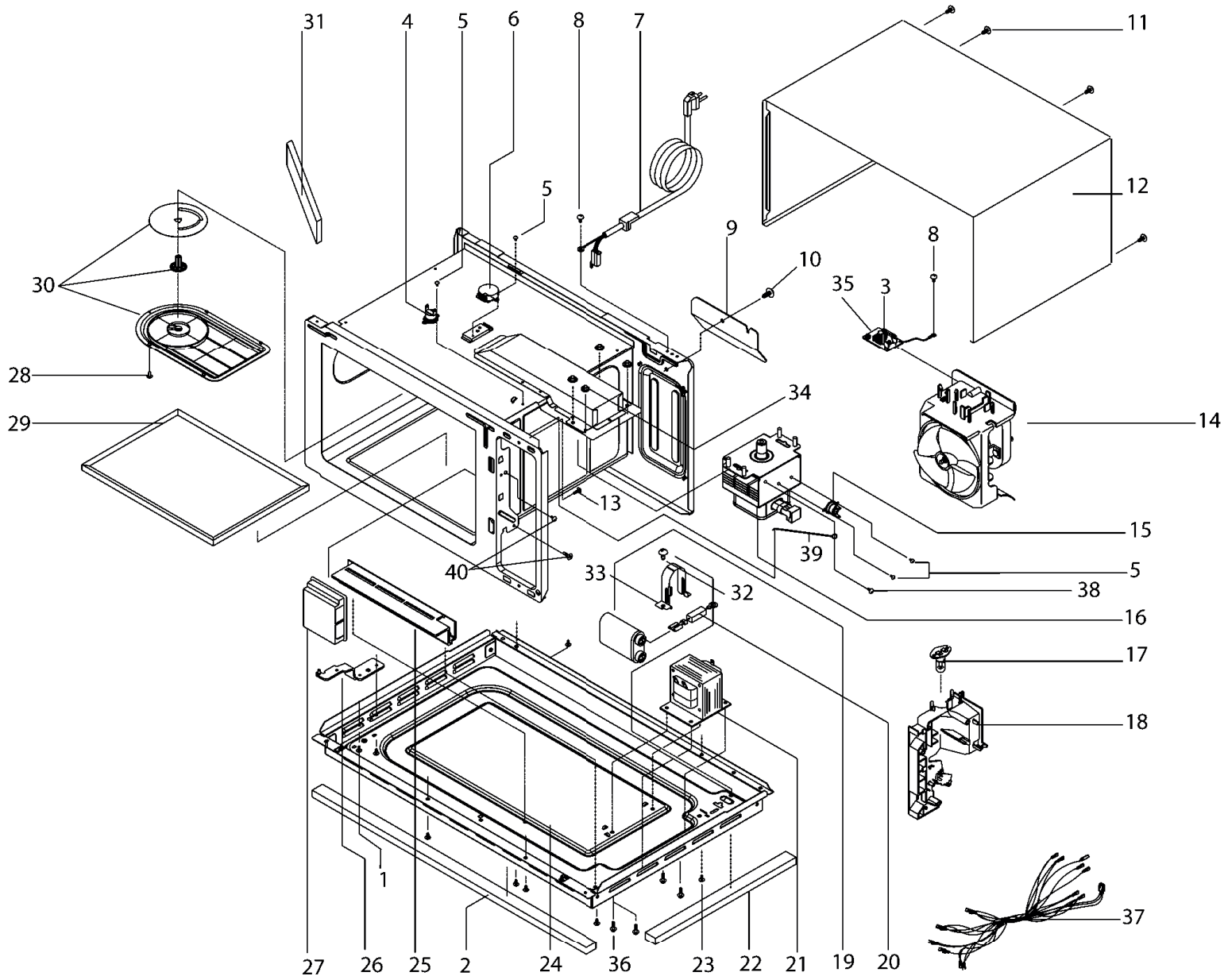
DOOR



ELECTRONIC CONTROL



OVEN CAVITY



Seite	Pos	Kreditor Artikel Nr.	GB
001	001	56002048	DOOR ASSY- MENUMASTER
001	002	12002624	KIT, SPRING/LATCH/CHOKE COVER
001	003	56001217	SCREW
001	004	14100039	KIT, DOOR HANDLE
001	005	56001406	WINDOW, INNER
001	006	56002029	HINGE, UPPER
002	001	56002046	TOUCH PANEL ASSY
002	002	56002035	BOARD, HV/LV
002	003	56001210	SCREW
003	001	56001217	SCREW
003	002	R0000413	GASKET, BASEPAN - 90 in (228 cm)
003	003	20034003	FUSE, 20 A
003	004	56001426	FUSE, THERMAL- CAVITY
003	005	56001230	SCREW
003	006	56002013	MOTOR, ANTENNA
003	007	56001454	POWER CORD
003	008	56001461	SCREW
003	009	56001428	AIR DEFLECTOR- REAR
003	010	56001210	SCREW
003	011	56002057	SCREW
003	012	56001429	WRAPPER
003	013	56001210	SCREW
003	014	56002020	BLOWER MOTOR ASSY
003	015	56001432	THERMAL CUTOUT, MAG
003	016	56002004	MAGNETRON
003	017	56001034	LAMP/ SOCKET ASSY
003	018	56002003	SWITCH, INTERLOCK ASSY
003	019	56002017	CAPACITOR, 1.05
003	020	56001436	DIODE
003	021	56002021	TRANSFORMER HV
003	022	R0000413	GASKET, BASEPAN - 90 in (228 cm)
003	023	56001151	SCREW
003	024	56002023	BASEPAN ASSY
003	025	56002059	PROTECTOR, WIRE
003	026	56002028	HINGE, LOWER
003	027	56001440	AIR GUIDE
003	028	56001450	RIVET ASSY
003	029	56002041	TRAY, CERAMIC
003	030	12002625	KIT, COVER/STIRRER BLADE/RIVETS
003	031	56001445	GASKET
003	032	56001217	SCREW
003	033	56001218	BRACKET, CAPACITOR
003	034	56001051	NUT, HINGE
003	035	56002005	FUSE BLOCK / FILTER ASSY
003	036	56001222	SCREW
003	037	56002022	HARNESS, MAIN
003	038	56001151	SCREW
003	039	56001447	SUPPORT
003	040	56001210	SCREW

WIRING DIAGRAM

