

Parts Information

Commercial Microwave Oven

Important notes:

This is an uncontrolled document.

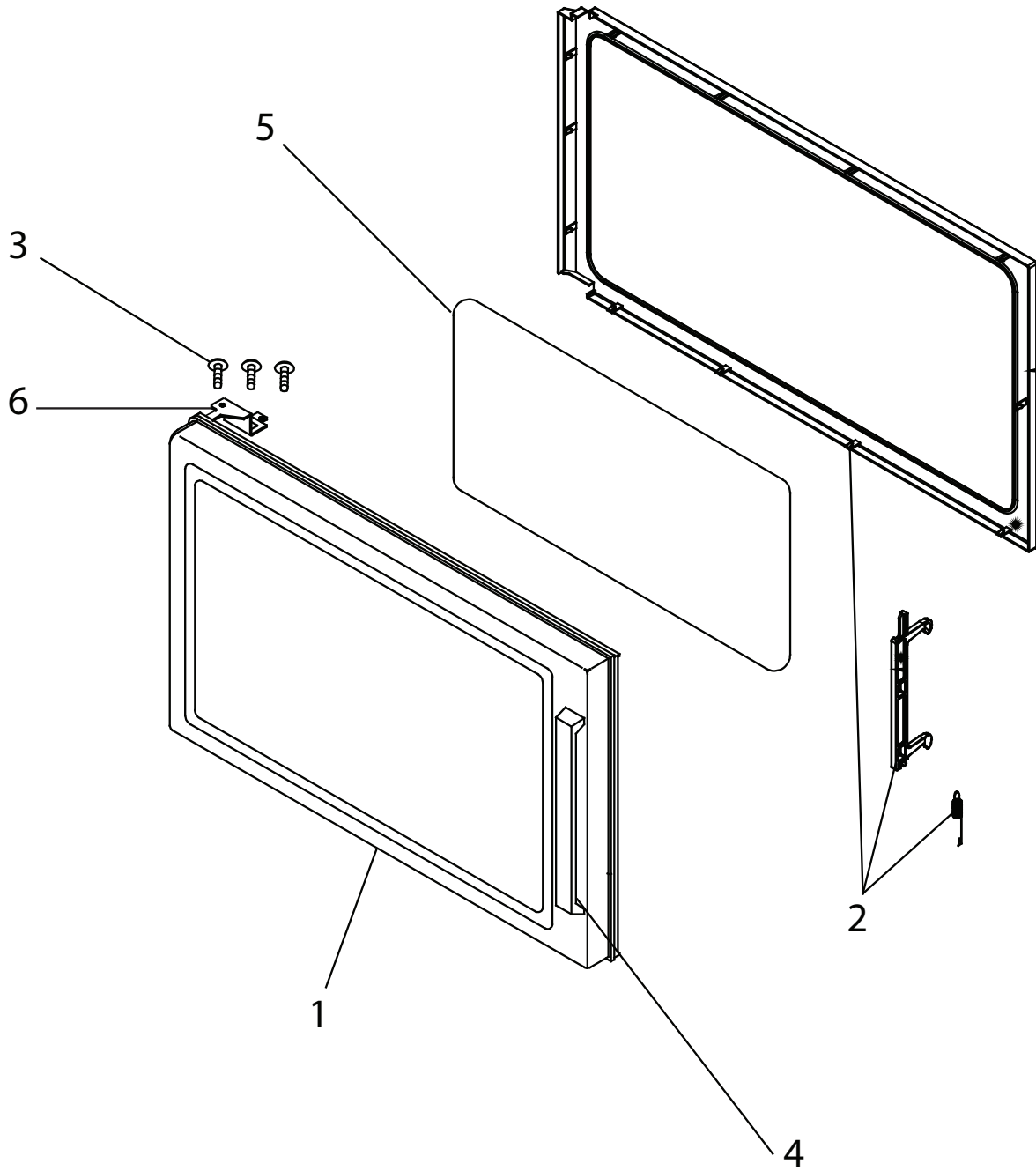
There is no record of its distribution and no corrections will be provided.



Models and Manufacturing numbers covered:

RCS511TS P2001105M

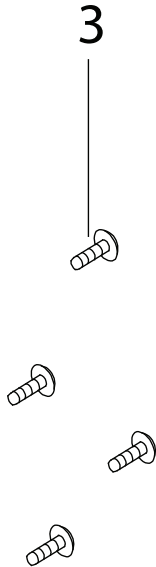
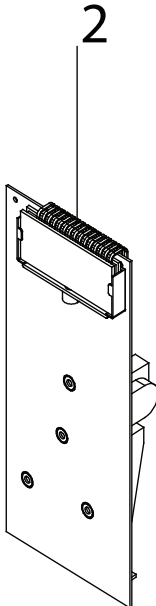
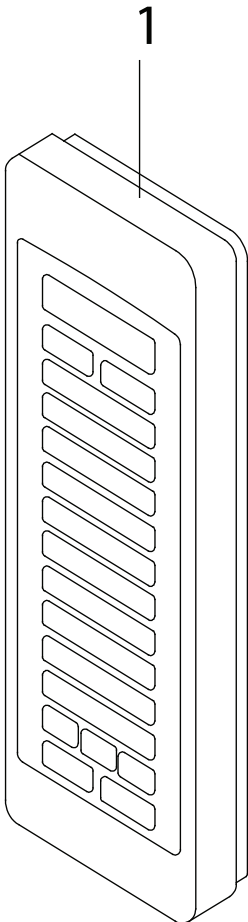
DOOR



DOOR

Reference	Part Number	Description	Quantity
1	56002048	DOOR ASSY	1
2	12002624	KIT, SPRING/LATCH/CHOKE COVER	1
3	56001217	SCREW	3
4	14100039	KIT, DOOR HANDLE	1
5	56001406	WINDOW, INNER	1
6	56002029	HINGE, UPPER	1

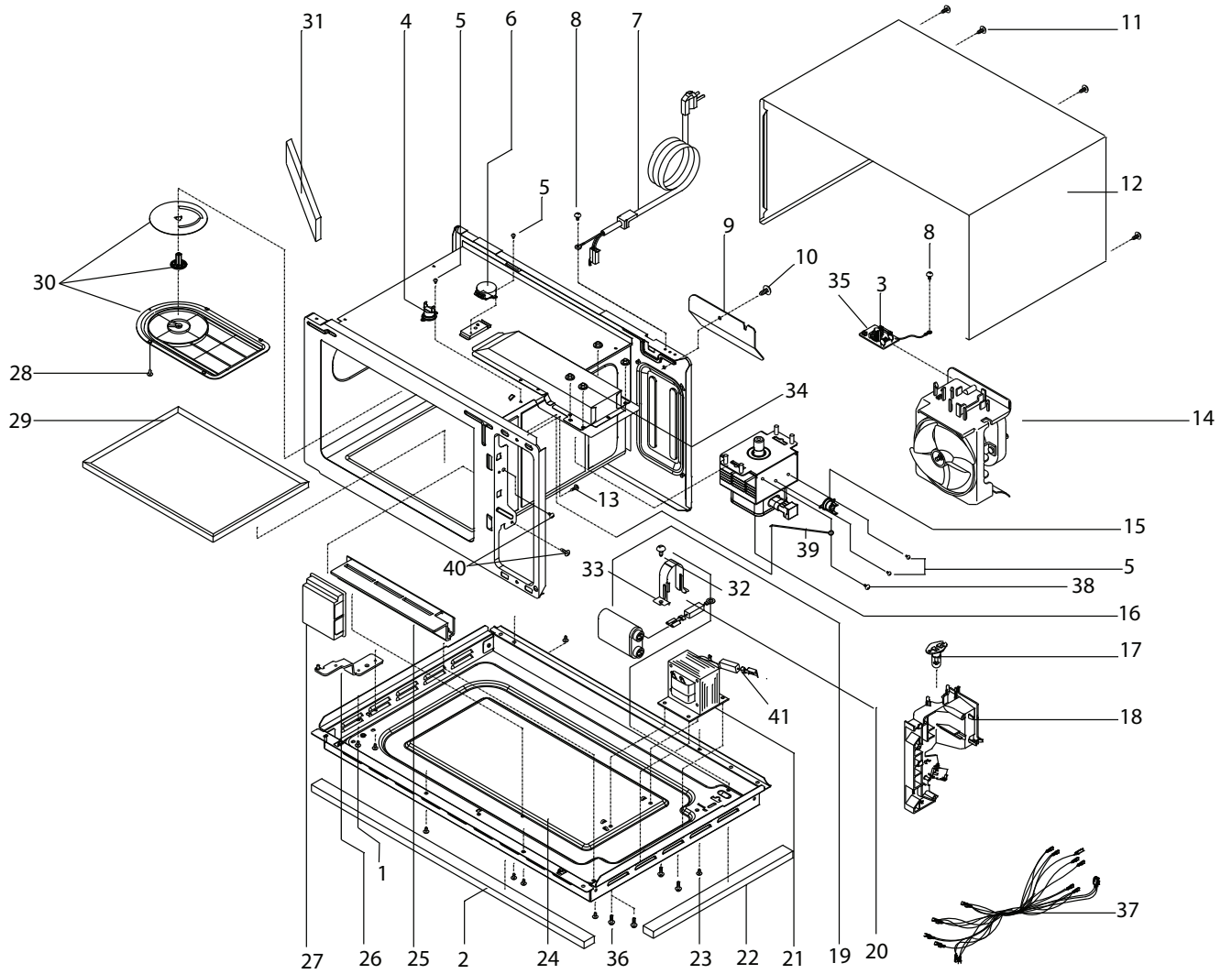
ELECTRONIC CONTROL



ELECTRONIC CONTROL

Reference	Part Number	Description	Quantity
1	56002046	TOUCH PANEL ASSY	1
2	56002036	BOARD, HV/LV	1
3	56001210	SCREW	4

OVEN CAVITY



OVEN CAVITY

Reference	Part Number	Description	Quantity
1	56001217	SCREW	1
2	R0000413	GASKET, BASEPAN	1
3	20034001	FUSE, 15 A	1
4	56001426	THERMAL CUTOUT, CAVITY	1
5	56001230	SCREW	3
6	56001460	MOTOR, ANTENNA	1
7	56001476	POWER CORD	1
8	56001461	SCREW	1
9	56001428	AIR DEFLECTOR- REAR	1
10	56001210	SCREW	1
11	56002057	SCREW	6
12	56002040	WRAPPER	1
13	56001210	SCREW	1
14	56002037	BLOWER MOTOR ASSY	1
15	56001432	THERMAL CUTOUT, MAG	1
16	56002014	MAGNETRON	1
17	56002007	LAMP/ SOCKET ASSY	1
18	56002052	SWITCH, INTERLOCK ASSY	1
19	56002042	CAPACITOR- 1.15	1
20	56001436	DIODE	1
21	56002027	TRANSFORMER HV	1
22	R0000413	GASKET, BASEPAN	1
23	56001151	SCREW	4
24	56002023	BASEPAN ASSY	1
25	56002059	PROTECTOR, WIRE	1
26	56002028	HINGE, LOWER	1
27	56001440	AIR GUIDE	1
28	56001450	RIVET ASSY	1
29	56002041	TRAY ASSY	1
30	12002625	KIT, COVER/STIRRER BLADE/RIVETS	1
31	56001445	GASKET	1
32	56001153	SCREW	1
33	56002043	BRACKET, CAPACITOR	1
34	56001051	NUT, HINGE	4
35	56002030	FUSE BLOCK / FILTER ASSY	1
36	56001222	SCREW	1
37	56001478	HARNESS, MAIN	1
38	56001151	SCREW	1
39	56001447	SUPPORT	1
40	56001210	SCREW	2
41	56001474	FUSE, HV	1

WIRING DIAGRAM

