

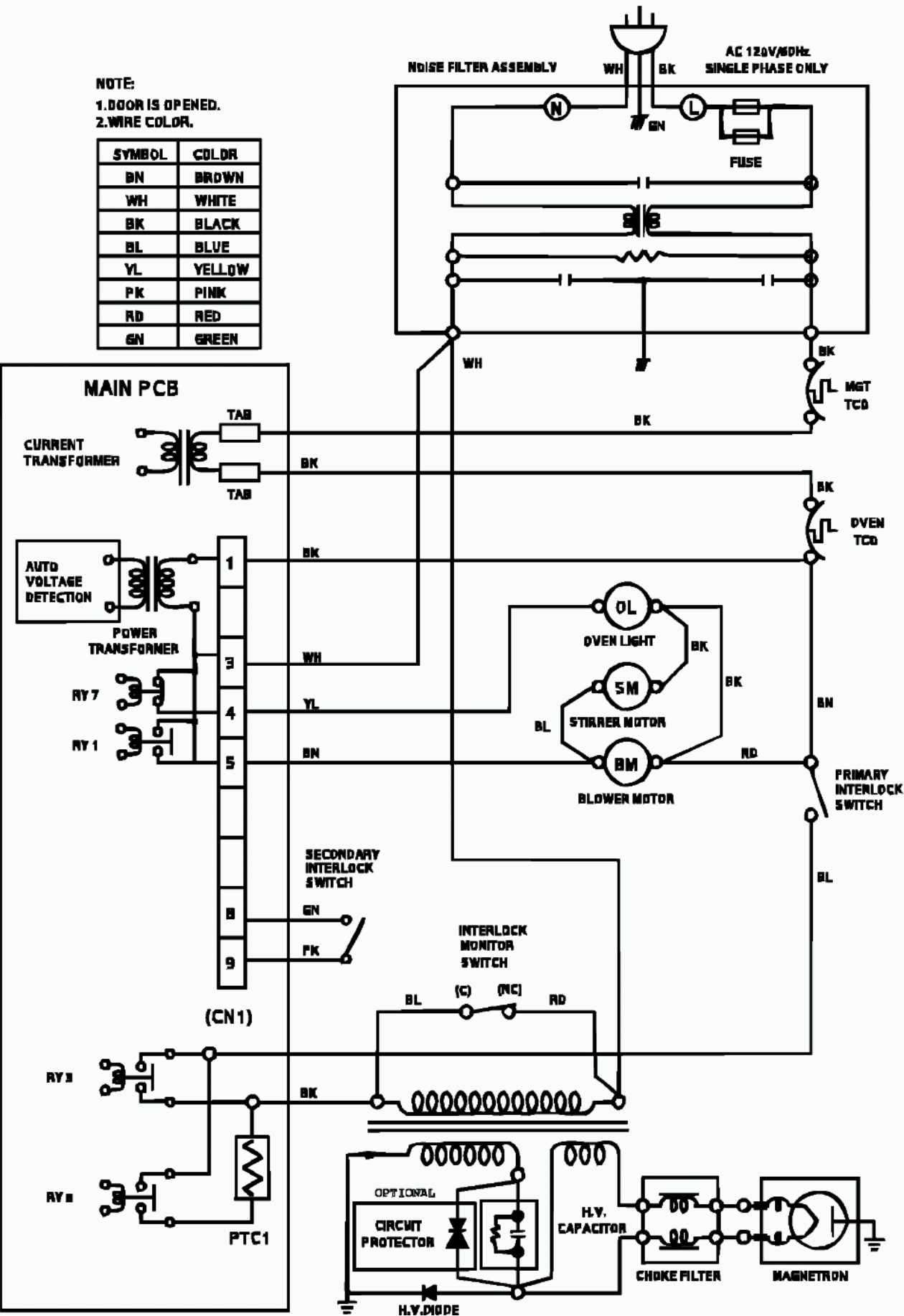
| Seite | Pos | Kreditor Artikel Nr. | GB                                |
|-------|-----|----------------------|-----------------------------------|
| 001   | 001 | R0654183             | SCREW, TRUSS HD                   |
| 001   | 002 | R0131246             | SCREW, TAPPING TRUSS HEAD         |
| 001   | 003 | 53001577             | WRAPPER- SS                       |
| 001   | 004 | 53001579             | COVER, LAMP- SS                   |
| 001   | 005 | 53001609             | SCREW                             |
| 001   | 006 | 53001551             | PANEL, BACK                       |
| 001   | 007 | 53001610             | GASKET                            |
| 001   | 008 | R0654180             | SCREW, PAN HD                     |
| 001   | 009 | 59001625             | MOTOR, ANTENNA                    |
| 001   | 010 | 12002451             | KIT, ANTENNA - W/RIVETS           |
| 001   | 011 | 53001554             | RIVET ASSY                        |
| 001   | 012 | 53002009             | TRAY, CERAMIC                     |
| 001   | 013 | R0131246             | SCREW, TAPPING TRUSS HEAD         |
| 001   | 014 | 59001235             | SUCTION CUP- FOR TRAY REMOVAL     |
| 001   | 015 | 53001619             | BRACKET, STACKING                 |
| 002   | 001 | 53001625             | PLATE, BASE- W/COVER & GASKETS    |
| 002   | 002 | R0000413             | GASKET, BASEPAN - 90 in (228 cm)  |
| 002   | 003 | R0131246             | SCREW, TAPPING TRUSS HEAD         |
| 002   | 004 | R0000413             | GASKET, BASEPAN - 90 in (228 cm)  |
| 002   | 005 | 53001628             | COVER, BASE                       |
| 002   | 006 | R0131246             | SCREW, TAPPING TRUSS HEAD         |
| 002   | 007 | 53001571             | FILTER, AIR- W/THUMB SCREW        |
| 002   | 008 | 53001629             | SCREW                             |
| 003   | 001 | 53001543             | CAP, TOP HINGE                    |
| 003   | 002 | 53002013             | COVER, CHOKE                      |
| 003   | 003 | 13066801             | WINDOW, INNER                     |
| 003   | 004 | 53002018             | WELD, INNER DOOR                  |
| 003   | 005 | 53001820             | OUTER DOOR ASSY                   |
| 003   | 006 | 12002453             | KIT, HANDLE                       |
| 003   | 007 | 59002163             | SCREW, HANDLE SIDE                |
| 003   | 008 | 59002164             | SCREW, HANDLE BOTTOM              |
| 003   | 009 | R0654030             | SCREW, PAN HD S/TAP               |
| 003   | 010 | 53001779             | LATCH                             |
| 003   | 011 | R0654180             | SCREW, PAN HD                     |
| 003   | 012 | 53001780             | SPRING                            |
| 003   | 013 | R0131246             | SCREW, TAPPING TRUSS HEAD         |
| 004   | 001 | 53001661             | HARNESS, MAIN                     |
| 004   | 002 | 53002003             | ANTENNA SHIELD                    |
| 004   | 003 | 53001610             | GASKET                            |
| 004   | 004 | 53001590             | LAMP                              |
| 004   | 005 | 53001591             | LAMP SOCKET / BRACKET ASSY        |
| 004   | 006 | R0654030             | SCREW, PAN HD S/TAP               |
| 004   | 007 | 53001817             | THERMAL CUTOUT, CAVITY            |
| 004   | 008 | R0131246             | SCREW, TAPPING TRUSS HEAD         |
| 004   | 009 | 53001559             | DUCT, OUTLET-TOP                  |
| 004   | 010 | R0131307             | NLA- SCREW, TAPPING,PAN HEAD      |
| 004   | 011 | 53001643             | BRACKET, THERMOSTAT               |
| 004   | 012 | R0654183             | SCREW, TRUSS HD                   |
| 004   | 013 | 53001620             | DEFLECTOR, AIR                    |
| 004   | 014 | 53001818             | POWER CORD                        |
| 004   | 015 | R0654028             | SCREW, BINING HD S/TAP            |
| 004   | 016 | 53001621             | COVER, POWER CORD                 |
| 004   | 017 | 53001563             | DUCT, MAIN                        |
| 004   | 018 | 53001462             | SCREW, PAN HEAD                   |
| 004   | 019 | M0805105             | FUSE-12A                          |
| 004   | 020 | 53001667             | FILTER ASSEMBLY, NOISE            |
| 004   | 021 | B5667304             | CLIP-WIRE                         |
| 004   | 022 | 14090023             | KIT, INTERLOCK SWITCH             |
| 004   | 023 | 59004083             | MAGNETRON                         |
| 004   | 024 | 53001622             | BRACKET                           |
| 004   | 025 | 53001663             | BRACKET, CAPACITOR                |
| 004   | 026 | 59004046             | CAPACITOR, 1.20 MF                |
| 004   | 027 | 53001583             | DIODE                             |
| 004   | 028 | 53001668             | NLA- HARNESS, TRANSFORMER PRIMARY |
| 004   | 029 | 53002024             | TRANSFORMER, HV                   |
| 004   | 030 | 53001568             | BASE, TRANSFORMER                 |
| 004   | 031 | 53001670             | BLOWER MOTOR ASSY                 |
| 004   | 032 | 53001570             | GUIDE, AIR                        |
| 004   | 033 | R9900542             | THERMAL CUTOUT, MAG               |

| Seite | Pos | Kreditor Artikel Nr. | GB                            |
|-------|-----|----------------------|-------------------------------|
| 004   | 034 | 53001725             | CABLE ASSY, CIRCUIT PROTECTOR |
| 004   | 035 | 53002066             | CAPACITOR                     |
| 004   | 036 | 53002067             | BRACKET, CAPACITOR            |
| 004   | 037 | 53002068             | INSULATOR                     |
| 004   | 038 | 53001210             | DIODE                         |
| 005   | 001 | 53002019             | TOUCH PANEL                   |
| 005   | 002 | 53002041             | ESCUTCHEON / TOUCH PANEL ASSY |
| 005   | 003 | R0654178             | SCREW, SPECIAL D              |
| 005   | 004 | 53001659             | BOARD, HV/LV                  |
| 005   | 005 | 53001462             | SCREW, PAN HEAD               |



NOTE:  
1. DOOR IS OPENED.  
2. WIRE COLOR.

| SYMBOL | COLOR  |
|--------|--------|
| BN     | BROWN  |
| WH     | WHITE  |
| BK     | BLACK  |
| BL     | BLUE   |
| YL     | YELLOW |
| PK     | PINK   |
| RD     | RED    |
| GN     | GREEN  |



IMPORTANT SAFETY NOTE: THE SHADED AREAS ON THIS SCHEMATIC DIAGRAM INCORPORATE SPECIAL FEATURES IMPORTANT FOR PROTECTION FROM MICROWAVE RADIATION/ELECTRICAL SHOCK, AND HAZARDS. WHEN SERVICING IT IS ESSENTIAL THAT ONLY MANUFACTURER'S SPECIFIED PARTS BE USED FOR THE CRITICAL COMPONENTS IN THE SHADED AREAS OF THE SCHEMATIC DIAGRAM.

NOTICE: SINCE THIS IS BASIC SCHEMATIC DIAGRAM, THE VALUES OF COMPONENTS AND SOME PARTIAL CONNECTIONS ARE SUBJECT TO CHANGE FOR IMPROVEMENT.