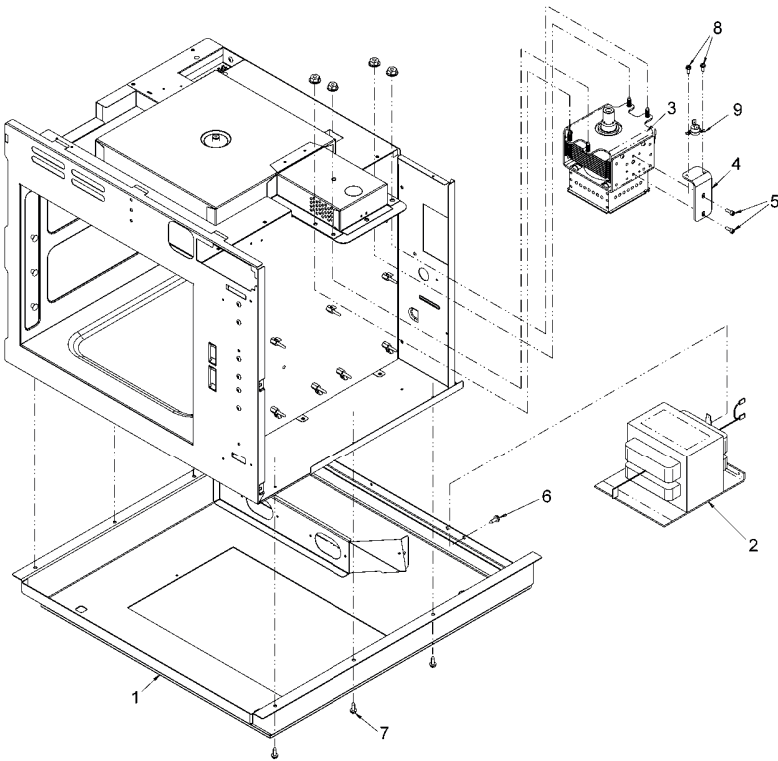
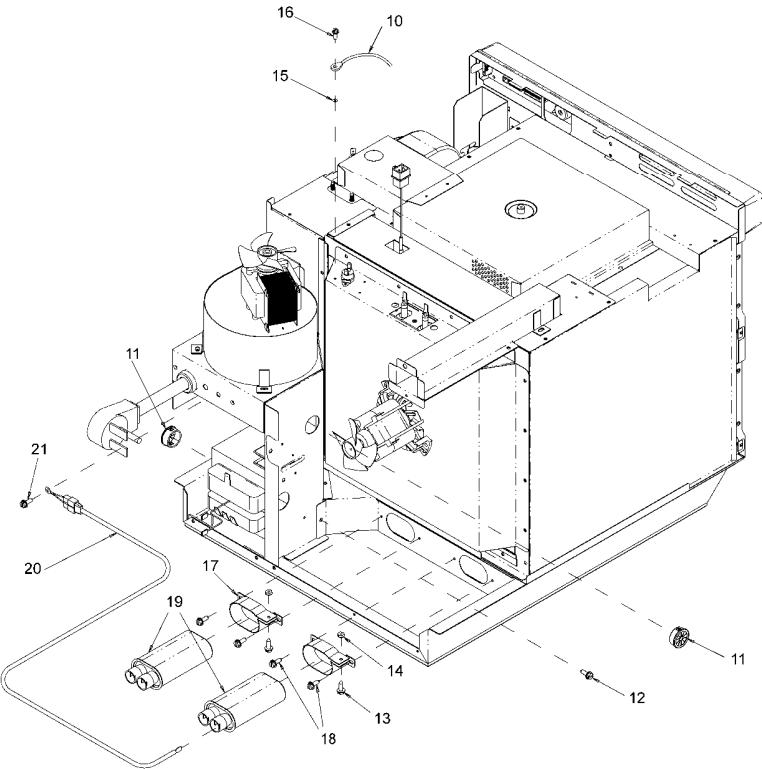


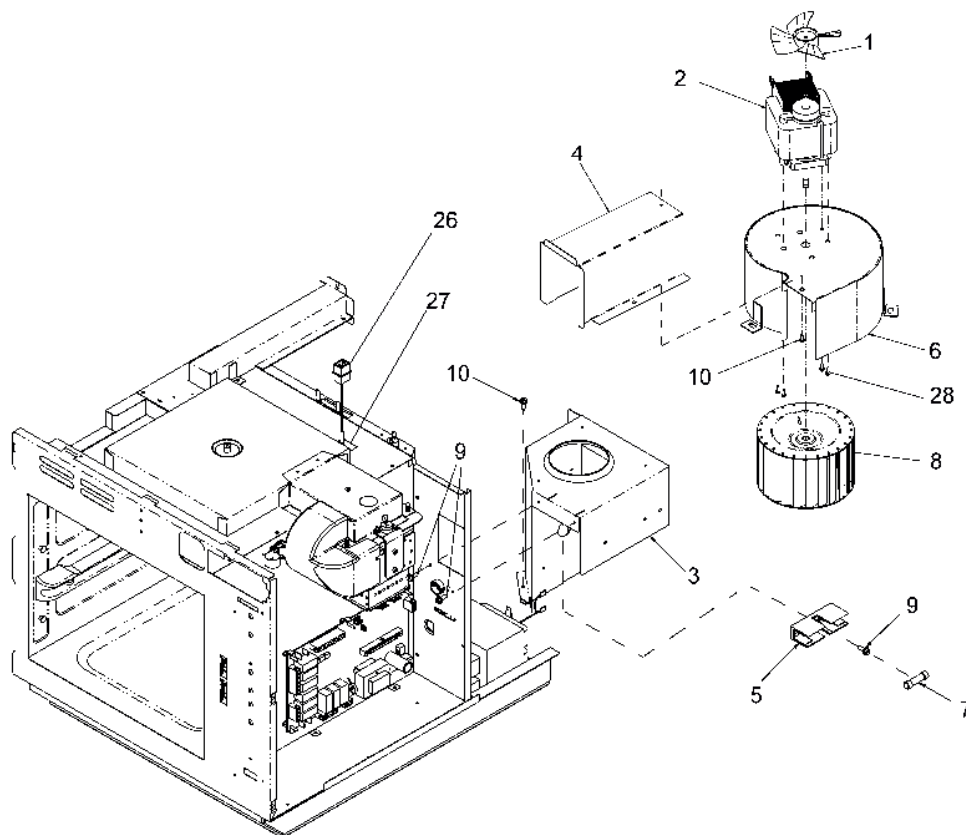
# BASE / MAGNETRON / TRANSFORMER



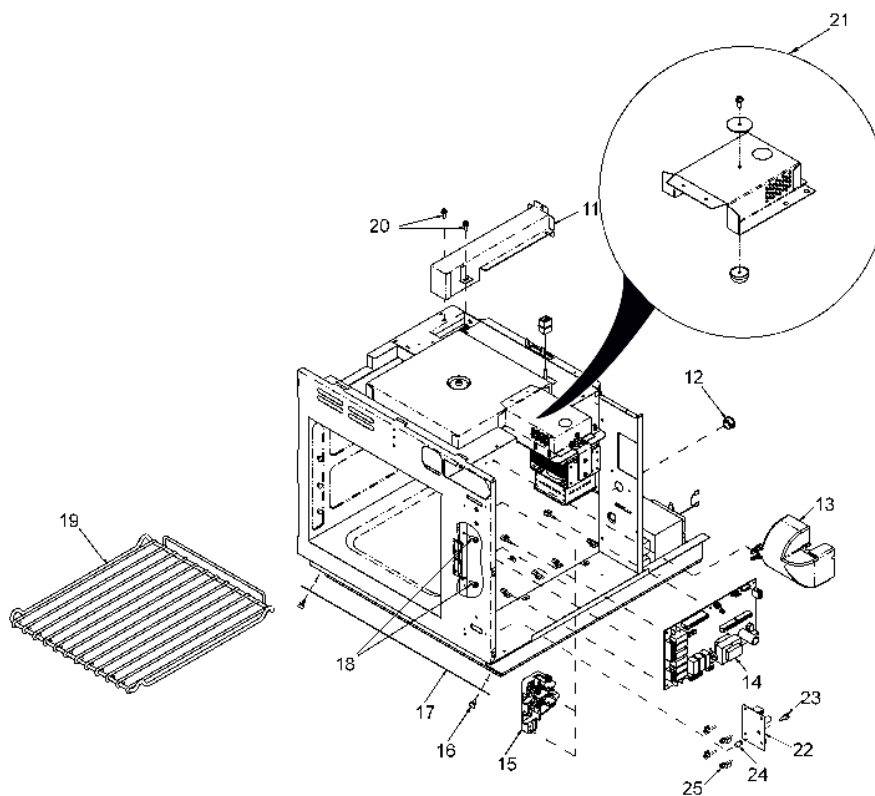
# PLUGS / CAPACITORS / DIODE ASSEMBLY



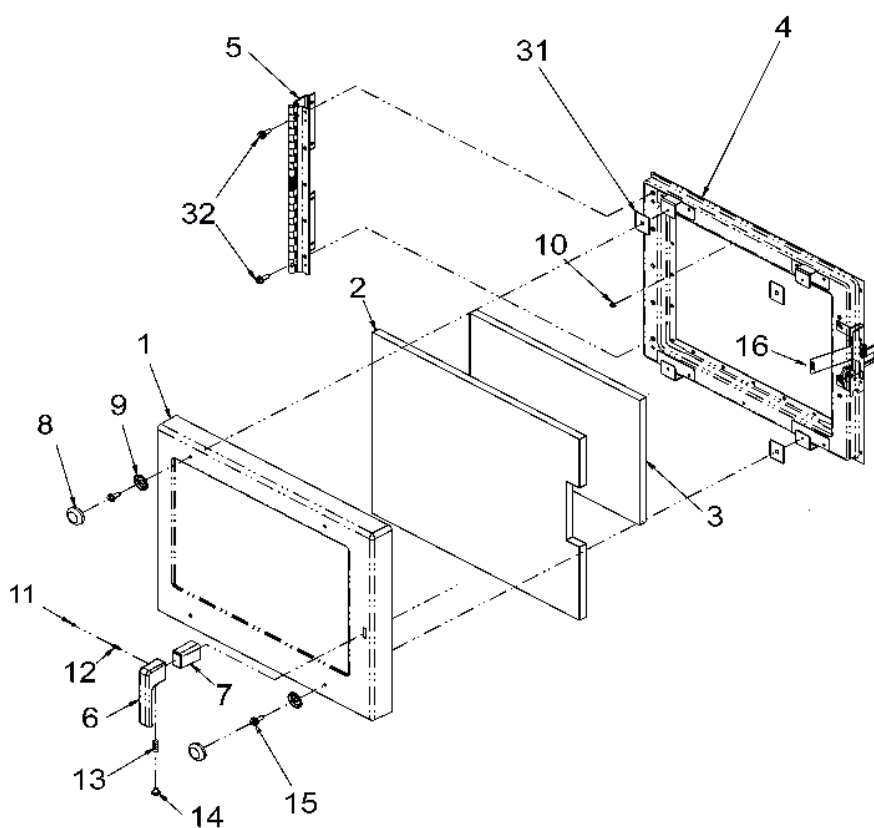
## BLOWER MOTOR / FUSE BLOCK



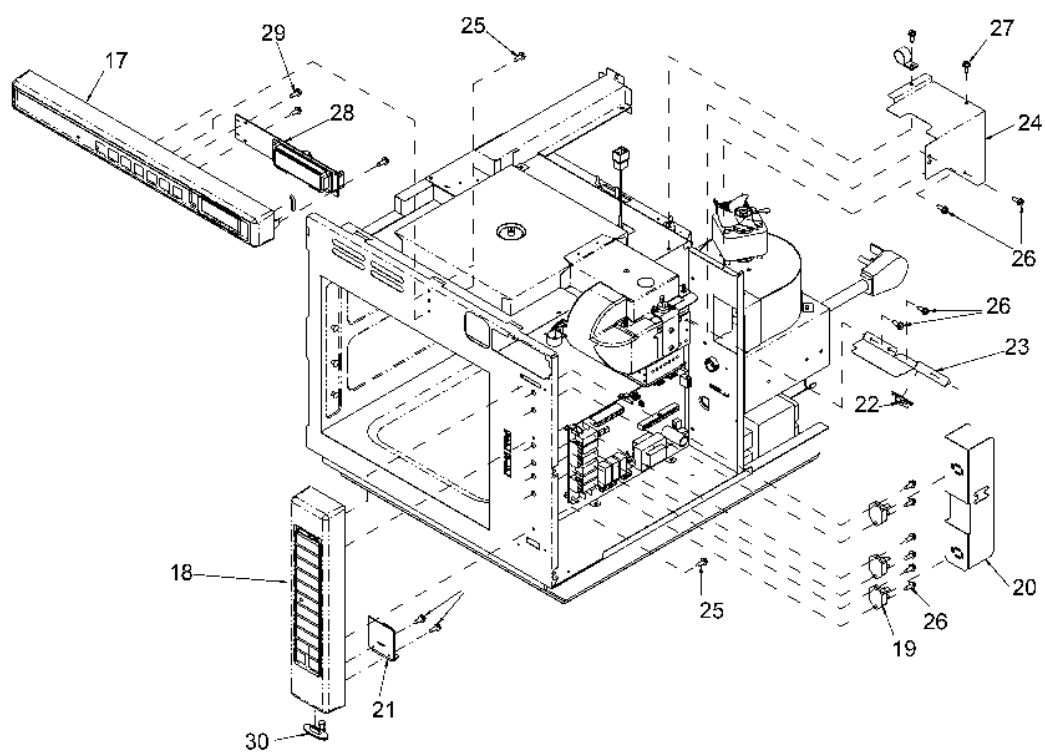
## HV BOARD / INTERLOCK



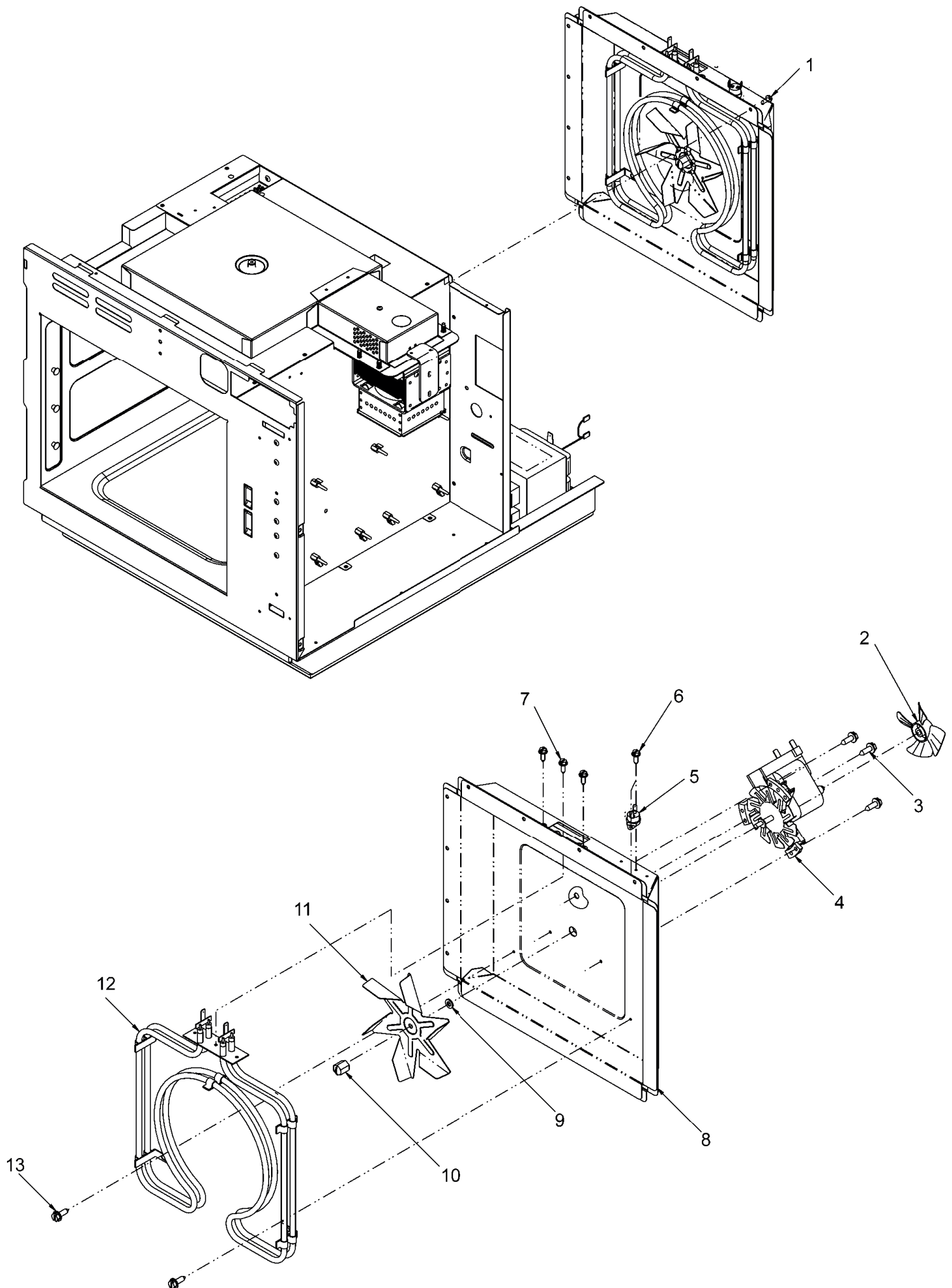
## DOOR / DOOR HANDLE



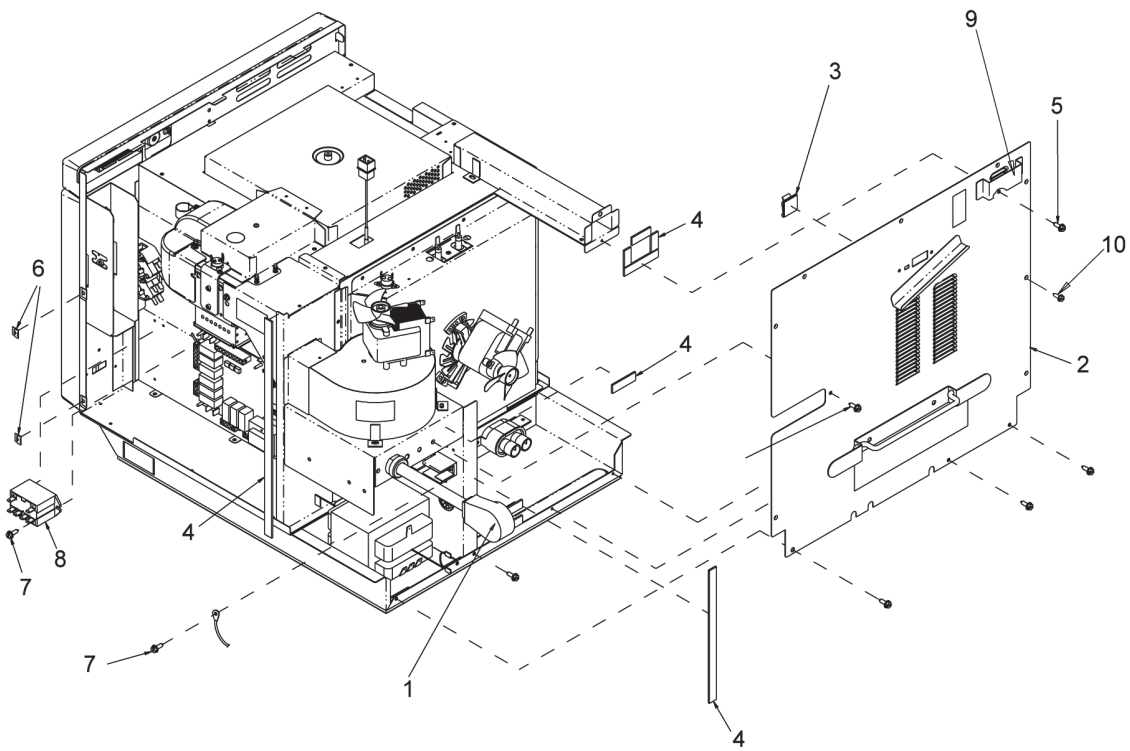
## UPPER & LOWER SWITCH / TRIAC / DISPLAY BOARD



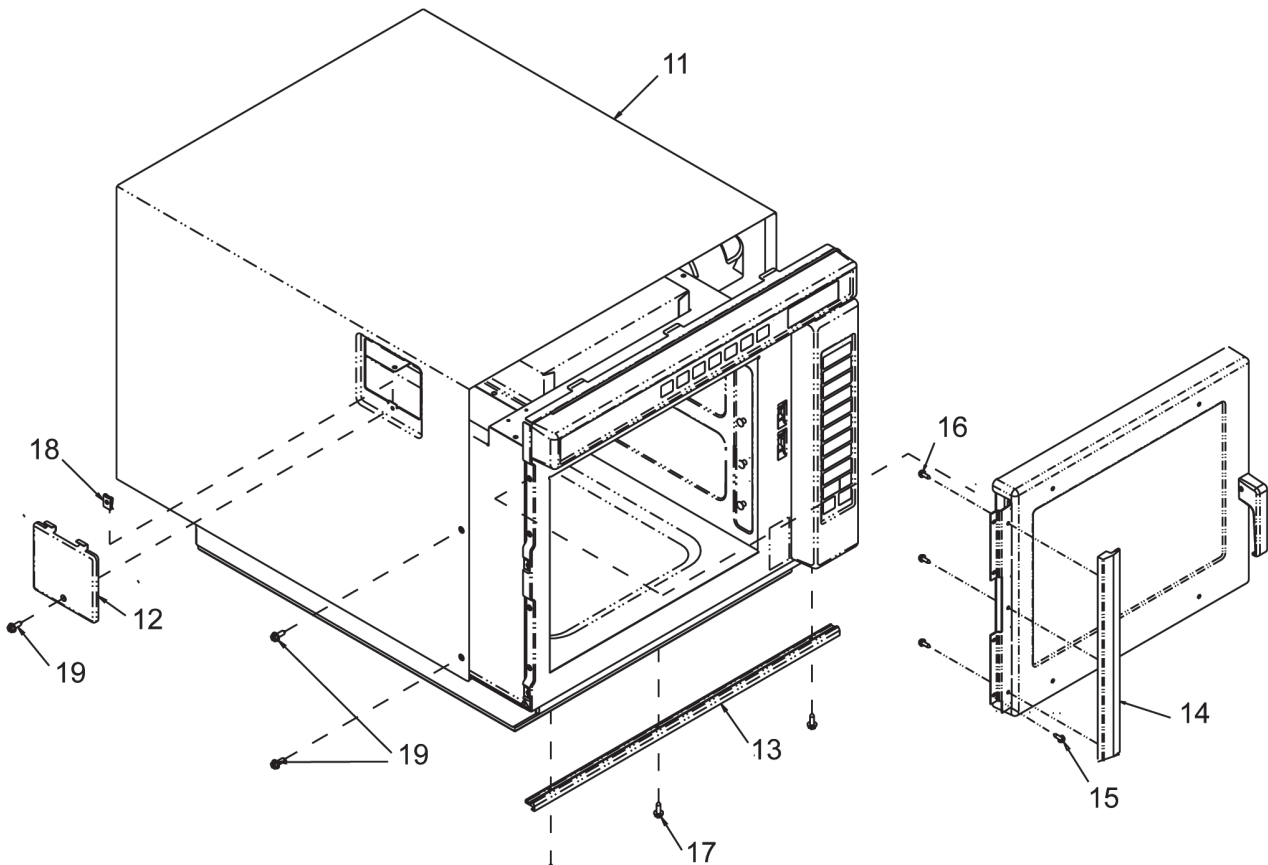
# HEATER BOX / CONVECTION MOTOR



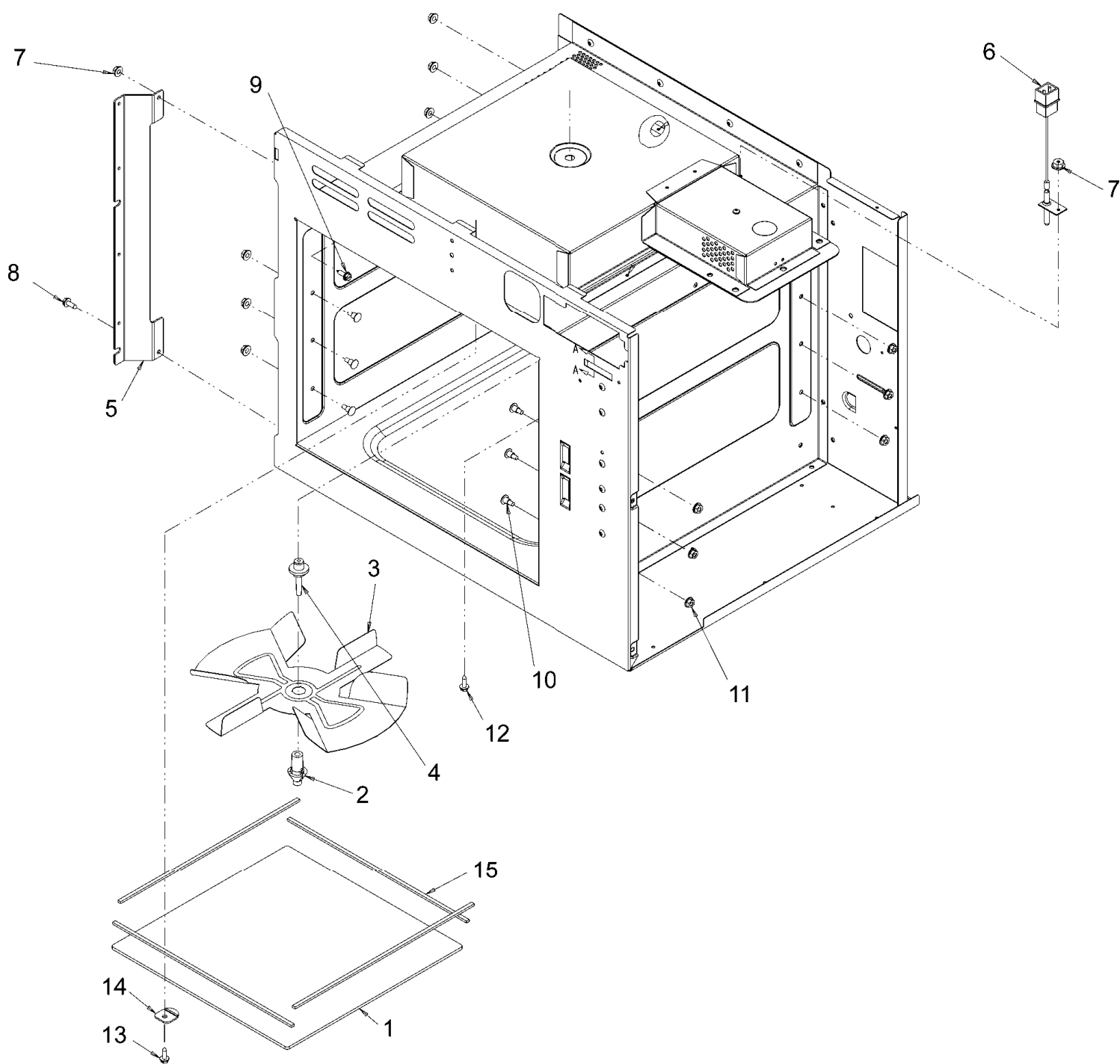
## REAR PANEL / POWER CORD / POWER RELAY



## OUTERCASE / HINGE COVER



# STIRRER SYSTEM / OVEN TRAY

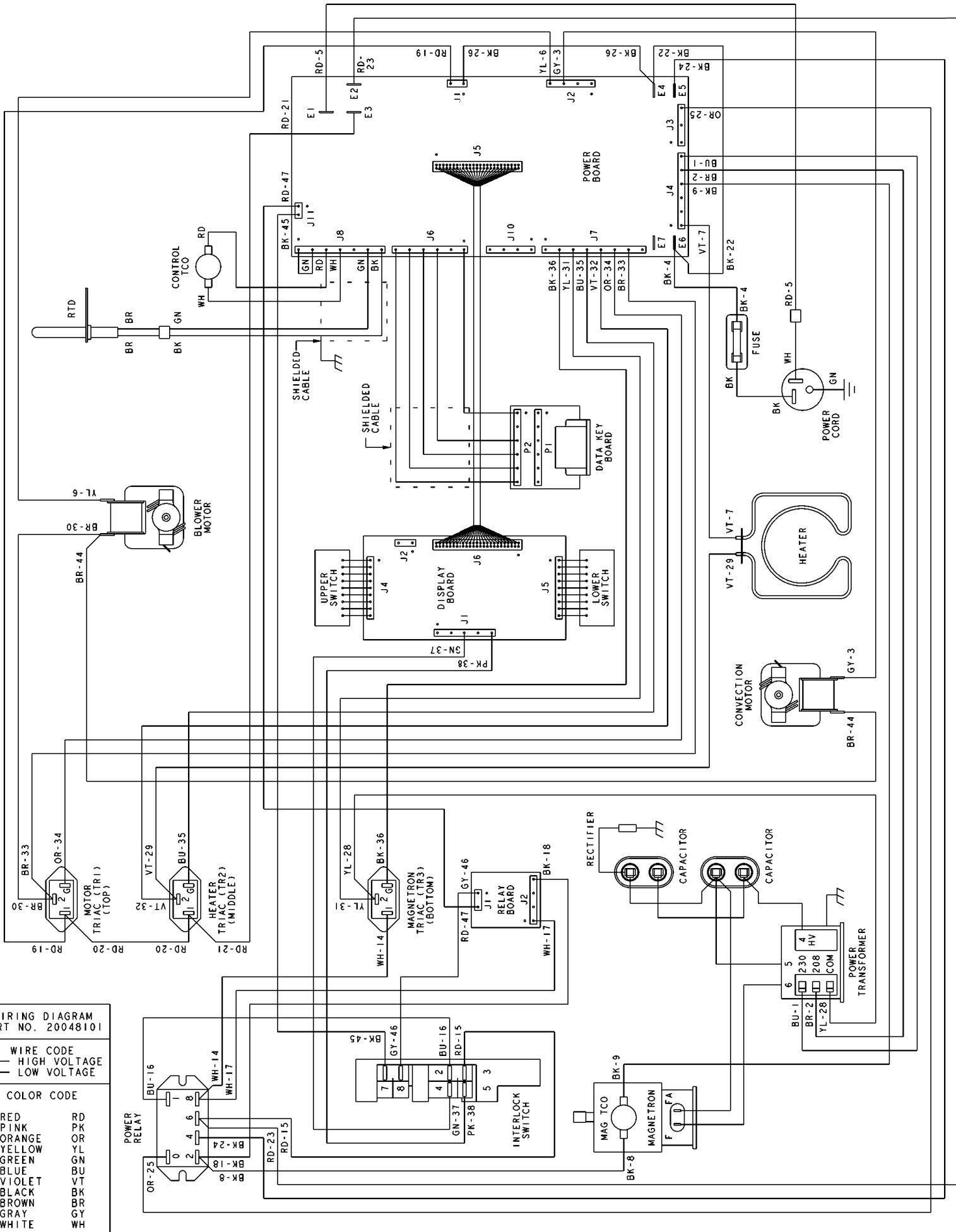


Seite	Pos	Kredtor Artikel Nr.	GB
001	001	59002096	BASEPAN ASSY, ACE14
001	002	59002086	TRANSFORMER, HV
001	003	13017710	JUMPER WIRE MAG FA TO CAP
001	003	59002081	MAGNETRON
001	004	13080901	BRKT - TCO MTG
001	005	M0229916	SCREW-TC
001	006	12990526	SCREW-SM/HEX RoHS
001	007	12991605	SCREW
001	008	13041602	SCREW
001	009	B5684121	THERMAL CUTOUT
001	010	20047601	HARNESS, J2/J4 CONNECTOR & WIRES
001	010	20047501	HARNESS, J7/J8 CONNECTOR & WIRES
001	011	M0571003	BUSHING-SNAP
001	012	12990526	SCREW-SM/HEX RoHS
001	013	12992302	SCREW-TF/HEX RoHS
001	014	13045501	NUT-#6 KEPS
001	015	M0272513	WASHER
001	016	13042201	SCREW
001	017	13069001	BRKT- CAPACITOR
001	018	12992305	SCREW-TF/HEX RoHS
001	019	13017711	JUMPER WIRE PWR TRANS TO CAP TO CAP
001	019	59001159	CAPACITOR- .65
001	020	R9800022	KIT, DIODE
001	021	12990524	SCREW-SM/HEX RoHS
002	001	B5706704	BLADE, FAN
002	002	59004030	MOTOR, BLOWER
002	003	12000815	BLOWER BRKT
002	004	10977801	TRANSITION-BLOWER
002	005	10091101	BLOCK-FUSE
002	006	10797203	SCROLL WELD
002	007	M0805205	FUSE-30A
002	007	14119056	KIT, FUSE & RELAY BOARD
002	008	C3670809	WHEEL-BLOWER
002	009	12990522	SCREW-SM/HEX RoHS
002	010	12990526	SCREW-SM/HEX RoHS
002	011	12002901	FLUE DUCT WELD
002	012	M0571001	BUSHING-SNAP
002	013	12018102	DUCT-MAG/WVGD
002	014	59004066	BOARD, HV
002	014	13018301	HARNESS-PC BOARD
002	015	13095501	HARNESS - INTERLOCK
002	015	59114157	SWITCH, INTERLOCK ASSY
002	016	13042901	SCREW-THUMB RoHS
002	017	10853102	GRILLE-AIR INLET
002	018	12876603	SCREW
002	019	RA14	ACE RACK ACCESSORY
002	020	12990526	SCREW-SM/HEX RoHS
002	021	14090020	KIT, TUNING STUB - ACE
002	022	59002117	BOARD, RELAY MONITOR
002	023	12991607	SCREW-TC/HEX RoHS
002	024	M0800603	SUPPORT-PCB
002	025	M0590602	SUPPORT
002	026	12000202	SENSOR-TEMP
002	027	13045501	NUT-#6 KEPS
002	028	12992305	SCREW-TF/HEX RoHS
003	000	EZ10	EZ CARD KIT
003	001	59001511	DOOR, OUTER
003	002	12474904	INSULATION, DOOR- LARGE
003	003	12474903	INSULATION-DOOR
003	004	12002760	KIT, INNER DOOR W/LATCH & CAPS
003	005	59001869	HINGE, DOOR
003	006	12490902	HANDLE-DOOR
003	007	12576901	INSERT-HANDLE
003	008	M0295503	CAP - SCREW
003	009	M0295502	WASHER-CAP SCREW
003	010	M0282007	NUT
003	011	12360703	PLUG-HOLE
003	012	13046902	SCREW-SET/CONE RoHS
003	013	13047001	SCREW-SET/DOG RoHS

Seite	Pos	Kreditor Artikel Nr.	GB
003	014	M0310305	PLUG-WHITE BUTTON
003	015	13042701	SCREW-TC/HOLT RoHS
003	015	92113P01	BIT, CROWS FOOT DRIVER
003	016	C8893506	SPRING-DOOR LATCH
003	017	59104132	TOUCH PANEL ASSY- TOP
003	018	59104131	TOUCH PANEL ASSY- SIDE
003	019	59002026	TRIAC (40A)
003	019	59002017	SNUBBER ASSY
003	020	12210101	SHIELD-TRIAC
003	021	13013902	HARNESS, DATAKEY
003	021	59002095	BOARD,DATA KEY
003	022	M0104106	CLIP-CORD
003	023	10978601	DUCT-BLOWER/MAG
003	024	10978703	COVER - MAG INLET
003	025	12992302	SCREW-TF/HEX RoHS
003	026	12990526	SCREW-SM/HEX RoHS
003	027	12990522	SCREW-SM/HEX RoHS
003	028	59104126	BOARD, DISPLAY
003	029	13042002	SCREW-TF/OVAL RoHS
003	030	13080601	PLUG, DATA KEY
003	031	12529302	SPACER - THERMAL
003	032	12990527	SCREW-SM/HEX RoHS
004	001	12990511	SCREW
004	002	B5706707	BLADE, FAN
004	003	12992307	SCREW-TF/HEX RoHS
004	004	14090018	KIT, CONVECTION MOTOR - 60 HZ
004	005	31866P01	CUTOUT-THERMAL
004	006	13041602	SCREW
004	007	12990606	SCREW-SM/PAN RoHS
004	008	12020003	HEATER BOX WELD
004	009	12546101	WASHER
004	010	12538001	NUT-CAP
004	011	12537901	BLADE, FAN
004	012	59004076	HEATER
004	013	13041505	SCREW-TF/PAN
005	001	59002112	POWER CORD
005	002	12002804	ACCESS PAN WLD-E CT
005	003	M0104106	CLIP-CORD
005	004	59004077	GASKET, PER FT
005	005	12990526	SCREW-SM/HEX RoHS
005	006	M0287016	NUT, SPEED
005	007	12990524	SCREW-SM/HEX RoHS
005	008	59001981	RELAY
005	009	12470201	COVER-VENT
005	010	12990525	SCREW-SM/HEX RoHS
005	011	10908901Q	WRAPPER- STAINLESS
005	012	10785608	COVER-LIGHT
005	013	10909005	TRIM-OC
005	014	59001230	COVER, HINGE- GRAY
005	015	12990527	SCREW-SM/HEX RoHS
005	016	13004401	SCREW -TF/FLAT RoHS
005	017	13042002	SCREW-TF/OVAL RoHS
005	018	M0288215	NUT-SPEED
005	019	13042001	SCREW-TF/OVAL RoHS
006	001	R0150115	COVER, STIRRER
006	002	R0130737	KIT, STIRRER BLADE
006	003	10825904Q	BLADE, STIRRER
006	004	12004401	SHAFT-STIRRER
006	005	12189004	BRKT-HINGE SUPPORT
006	006	12000202	SENSOR-TEMP
006	007	13045501	NUT-#6 KEPS
006	008	12992302	SCREW-TF/HEX RoHS
006	009	M0202557	SCREW-MACH
006	010	13079102	SCREW-MACH/SHLD
006	011	M0282007	NUT
006	012	12992302	SCREW-TF/HEX RoHS
006	013	M0213802	SCREW-SM
006	014	12188901	RETAINER-TRAY
006	015	12019002	GASKET



# WIRING INFORMATION



WIRING DIAGRAM  
PART NO. 20048101

WIRE CODE	
—	HIGH VOLTAGE
—	LOW VOLTAGE
COLOR CODE	
RED	RD
PINK	PK
ORANGE	OR
YELLOW	YL
GREEN	GN
BLUE	BU
VIOLET	VT
BLACK	BK
BROWN	BR
GRAY	GY
WHITE	WH

