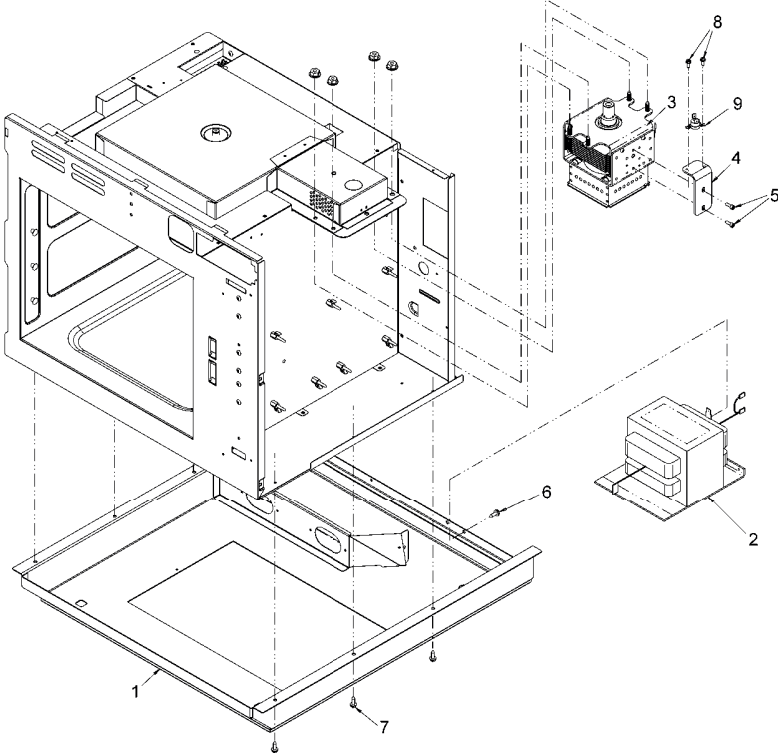
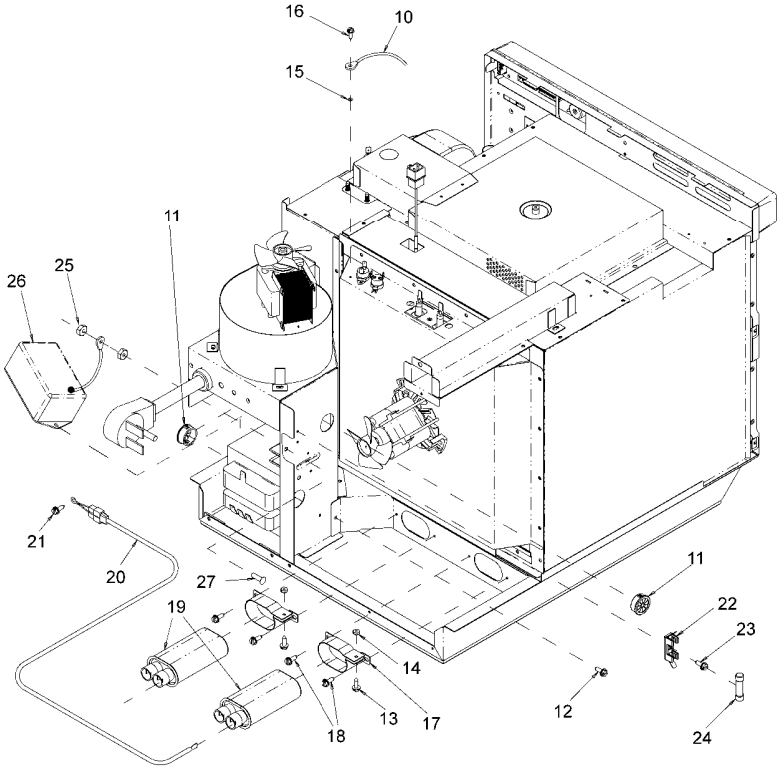


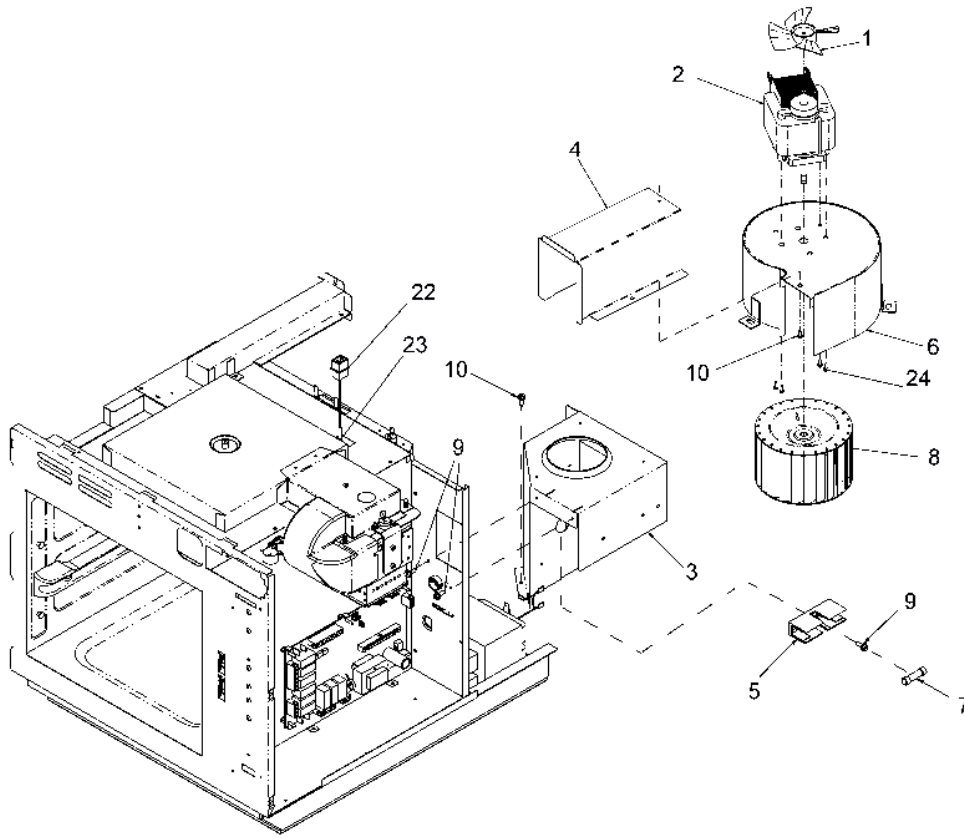
BASE / MAGNETRON / TRANSFORMER



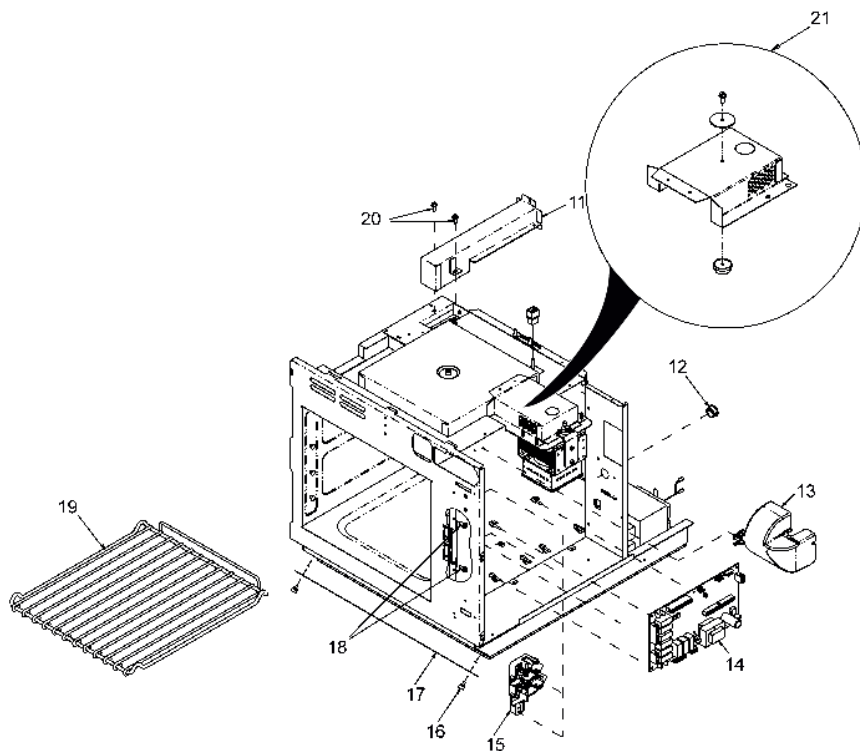
PLUGS / CAPACITORS / DIODE ASSEMBLY



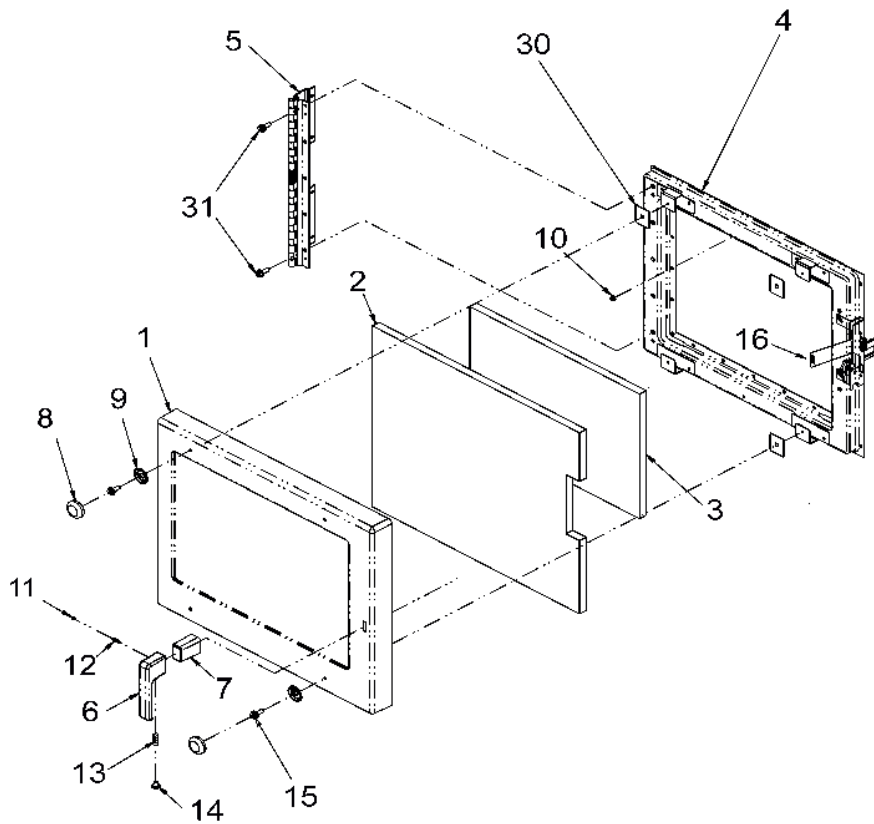
BLOWER MOTOR / FUSE BLOCK



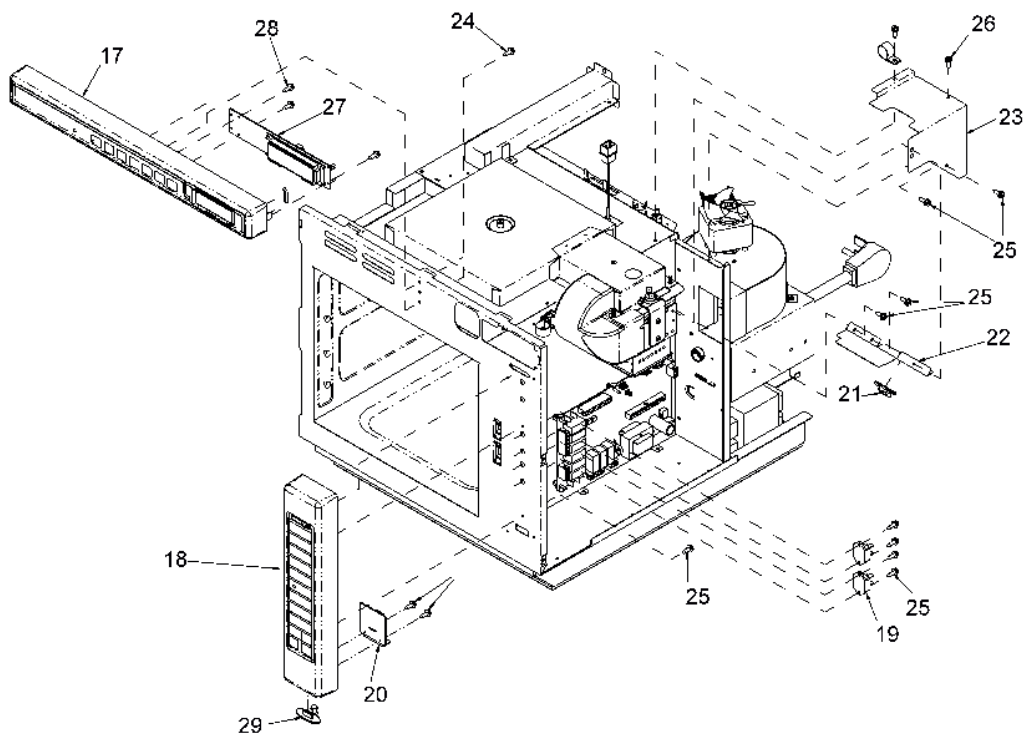
HV BOARD / INTERLOCK



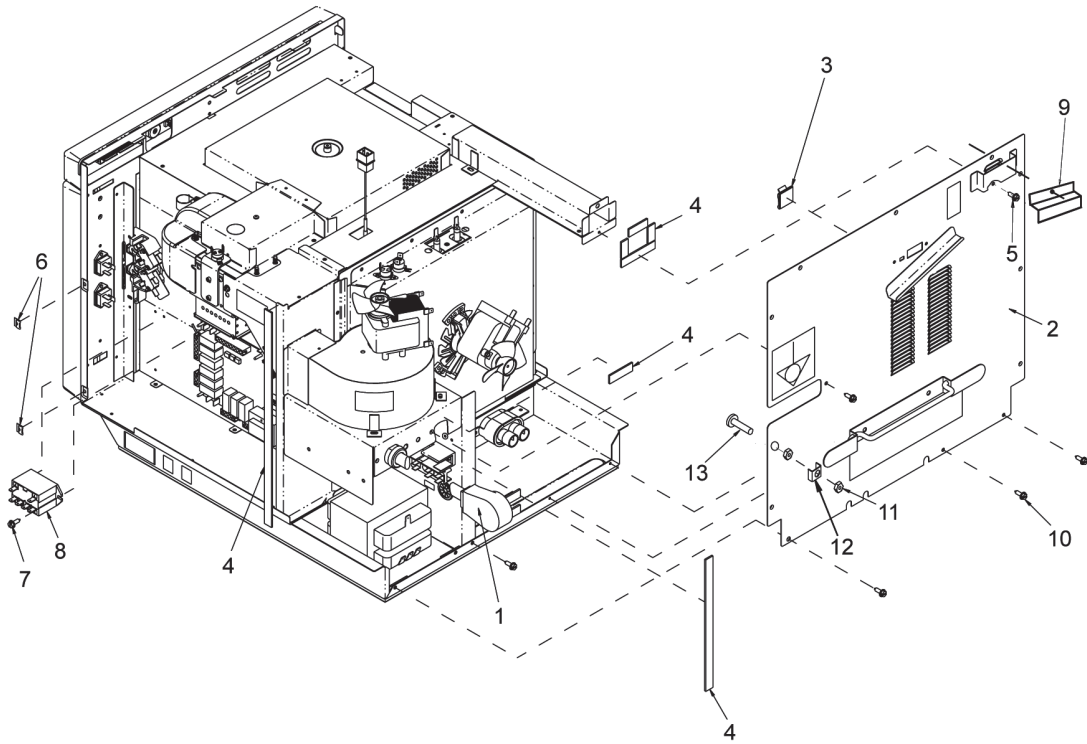
DOOR / DOOR HANDLE



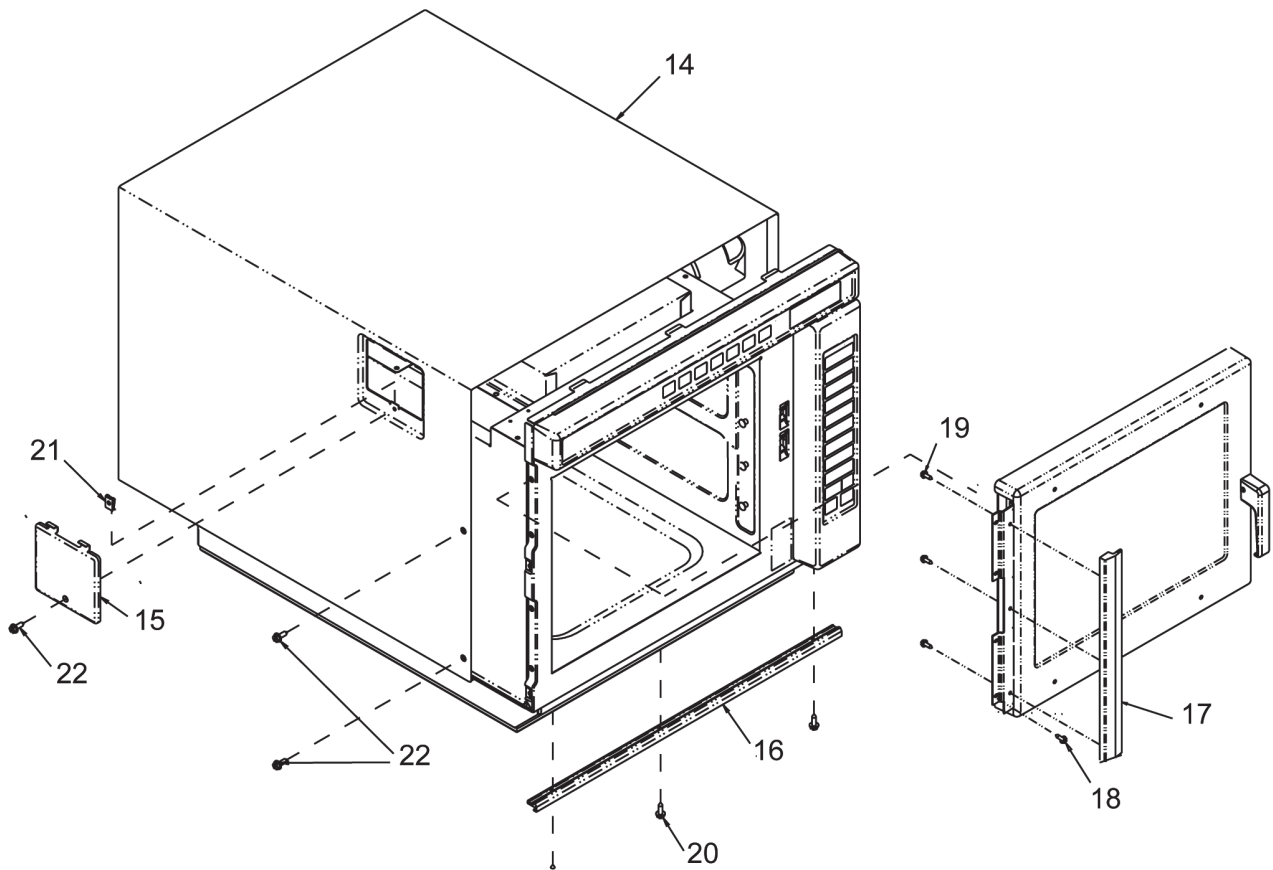
UPPER & LOWER SWITCH / TRIAC / DISPLAY BOARD



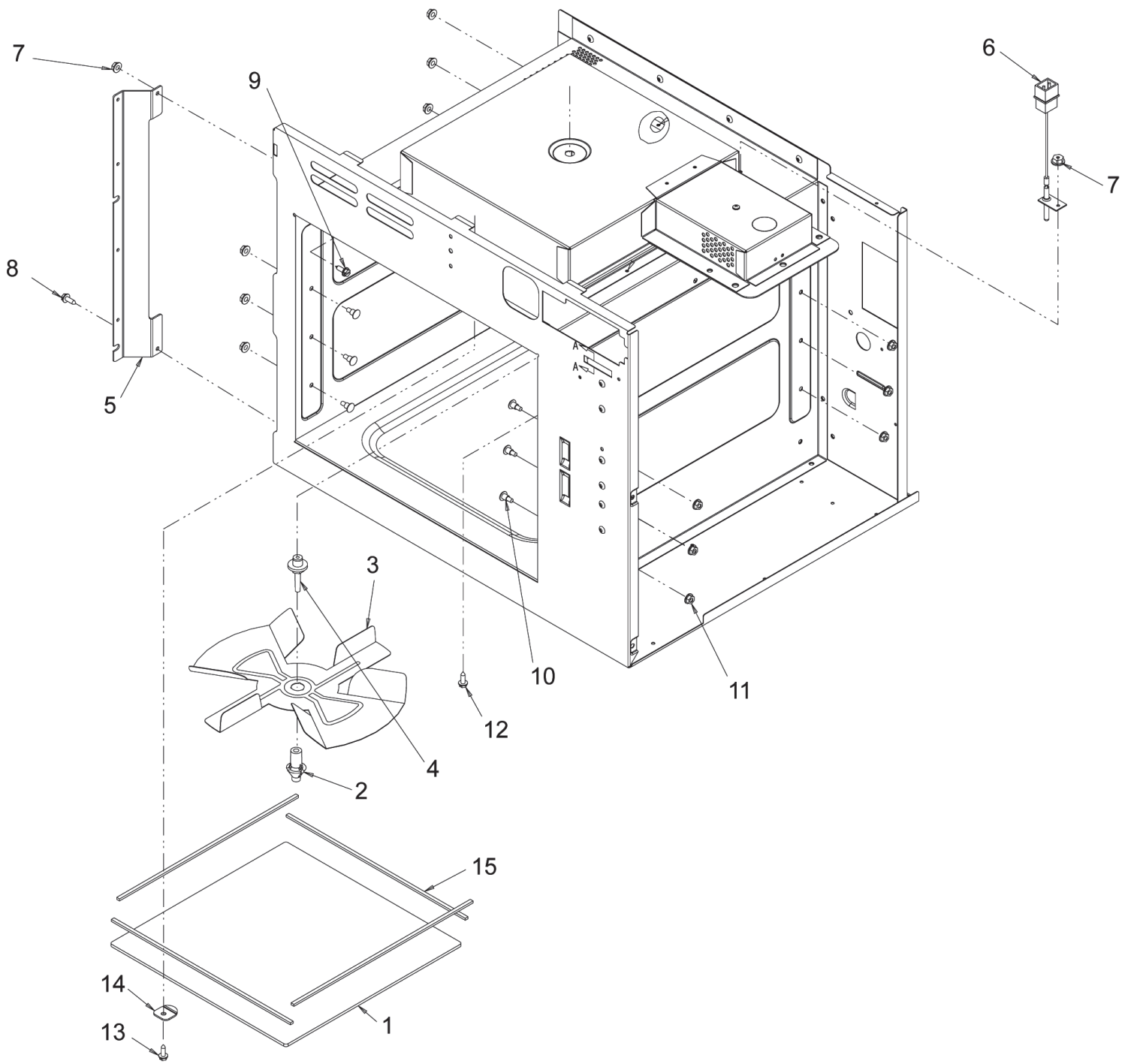
REAR PANEL / POWER CORD / POWER RELAY



OUTERCASE / HINGE COVER



STIRRER SYSTEM / OVEN TRAY



| Seite | Pos | Kreditor Artikel Nr. | GB |
|-------|-----|----------------------|--------------------------------|
| 001 | 001 | 59002096 | BASEPAN ASSY, ACE14 |
| 001 | 002 | 59002087 | TRANSFORMER, HV |
| 001 | 003 | 59002081 | MAGNETRON |
| 001 | 004 | 13080901 | BRKT - TCO MTG |
| 001 | 005 | M0229916 | SCREW-TC |
| 001 | 006 | 12990526 | SCREW-SM/HEX RoHS |
| 001 | 007 | 12991605 | SCREW |
| 001 | 008 | 13041602 | SCREW |
| 001 | 009 | B5684121 | THERMAL CUTOUT |
| 001 | 010 | 59002182 | HARNES - WIRING |
| 001 | 011 | M0571003 | BUSHING-SNAP |
| 001 | 012 | 12990526 | SCREW-SM/HEX RoHS |
| 001 | 013 | 59001208 | SCREW, HEX HEAD |
| 001 | 014 | 13045501 | NUT-#6 KEPS |
| 001 | 015 | M0272503 | WASHER, #6 LOCK |
| 001 | 016 | 13042201 | SCREW |
| 001 | 017 | 13069001 | BRKT- CAPACITOR |
| 001 | 018 | 12992305 | SCREW-TF/HEX RoHS |
| 001 | 019 | 59002153 | CAPACITOR-.74 |
| 001 | 020 | R9800022 | KIT, DIODE |
| 001 | 021 | 12990524 | SCREW-SM/HEX RoHS |
| 001 | 022 | 12136503 | BLOCK-1 POLE FUSE |
| 001 | 023 | 12990607 | SCREW |
| 001 | 024 | M0805102 | FUSE-15A |
| 001 | 025 | 13045501 | NUT-#6 KEPS |
| 001 | 026 | 12130001 | FILTER-LINE |
| 001 | 027 | M0293511 | STUD 6 |
| 002 | 001 | B5706704 | BLADE, FAN |
| 002 | 002 | 10773308 | MOTOR-BLOWER |
| 002 | 003 | 12000816 | BLOWER BRACKET |
| 002 | 004 | 10977801 | TRANSITION-BLOWER |
| 002 | 005 | 10091101 | BLOCK-FUSE |
| 002 | 006 | 10797203 | SCROLL WELD |
| 002 | 007 | 14119057 | KIT, FUSE & RELAY BOARD |
| 002 | 008 | C3670809 | WHEEL-BLOWER |
| 002 | 009 | 12990522 | SCREW-SM/HEX RoHS |
| 002 | 010 | 12990526 | SCREW-SM/HEX RoHS |
| 002 | 011 | 12002901 | FLUE DUCT WELD |
| 002 | 012 | M0571001 | BUSHING-SNAP |
| 002 | 013 | 12018102 | DUCT-MAG/WVGD |
| 002 | 014 | 59004051 | BOARD, HV |
| 002 | 015 | 12360509 | SWITCH - INTERLOCK |
| 002 | 016 | 13042901 | SCREW-THUMB RoHS |
| 002 | 017 | 10853102 | GRILLE-AIR INLET |
| 002 | 018 | 12876603 | SCREW |
| 002 | 019 | RA14 | ACE RACK ACCESSORY |
| 002 | 020 | 12990526 | SCREW-SM/HEX RoHS |
| 002 | 021 | 14080012 | KIT, TUNING STUB- ACE |
| 002 | 022 | 12000202 | SENSOR-TEMP |
| 002 | 023 | 13045501 | NUT-#6 KEPS |
| 002 | 024 | 12992305 | SCREW-TF/HEX RoHS |
| 003 | 001 | 59001511 | DOOR, OUTER |
| 003 | 002 | 59001720 | INSULATION, DOOR- LARGE |
| 003 | 003 | 59001719 | INSULATION, DOOR- SMALL |
| 003 | 004 | 12002760 | KIT, INNER DOOR W/LATCH & CAPS |
| 003 | 005 | 59001869 | HINGE, DOOR |
| 003 | 006 | 12490902 | HANDLE-DOOR |
| 003 | 007 | 12576901 | INSERT-HANDLE |
| 003 | 008 | M0295503 | CAP - SCREW |
| 003 | 009 | M0295502 | WASHER-CAP SCREW |
| 003 | 010 | 13045502 | NUT -#8 KEPS |
| 003 | 011 | 12360703 | PLUG-HOLE |
| 003 | 012 | 59002036 | SCREW SET CONE RoHS |
| 003 | 013 | 13047001 | SCREW-SET/DOG RoHS |
| 003 | 014 | M0310305 | PLUG-WHITE BUTTON |
| 003 | 015 | 13042701 | SCREW-TC/HOLT RoHS |
| 003 | 016 | 59001721 | SPRING, LATCH |
| 003 | 017 | 59002099 | TOUCH PANEL TOP |
| 003 | 018 | 59002093 | TOUCH PANEL SIDE |

| Seite | Pos | Kreditor Artikel Nr. | GB |
|-------|-----|----------------------|---------------------|
| 003 | 019 | 59002026 | TRIAC (40A) |
| 003 | 020 | 59002095 | BOARD,DATA KEY |
| 003 | 021 | M0104106 | CLIP-CORD |
| 003 | 022 | 10978601 | DUCT-BLOWER/MAG |
| 003 | 023 | 10978703 | COVER - MAG INLET |
| 003 | 024 | 59001208 | SCREW, HEX HEAD |
| 003 | 025 | 12990526 | SCREW-SM/HEX RoHS |
| 003 | 026 | 12990522 | SCREW-SM/HEX RoHS |
| 003 | 027 | 59002084 | BOARD, DISPLAY |
| 003 | 028 | 13042002 | SCREW-TF/OVAL RoHS |
| 003 | 029 | 59002092 | PLUG, DATA KEY |
| 003 | 030 | 12529302 | SPACER - THERMAL |
| 003 | 031 | 12990527 | SCREW-SM/HEX RoHS |
| 004 | 001 | 12990511 | SCREW |
| 004 | 002 | 59002159 | BLADE, FAN |
| 004 | 003 | 12992307 | SCREW-TF/HEX RoHS |
| 004 | 004 | 59002089 | MOTOR,CONVECTION |
| 004 | 005 | 31866P01 | CUTOUT-THERMAL |
| 004 | 006 | 13041602 | SCREW |
| 004 | 007 | 12990606 | SCREW-SM/PAN RoHS |
| 004 | 008 | 59001513 | HEATER BOX |
| 004 | 009 | 12546101 | WASHER |
| 004 | 010 | 12538001 | NUT-CAP |
| 004 | 011 | 12537901 | BLADE, FAN |
| 004 | 012 | 59002082 | HEATER |
| 004 | 013 | 13041801 | SCREW-TC/PAN RoHS |
| 004 | 014 | B5684123 | THERMAL CUTOUT |
| 005 | 001 | 59002181 | CORD POWER |
| 005 | 002 | 12002804 | ACCESS PAN WLD-E CT |
| 005 | 003 | M0104106 | CLIP-CORD |
| 005 | 004 | A3030330 | GASKET, PER FT |
| 005 | 005 | 12990526 | SCREW-SM/HEX RoHS |
| 005 | 006 | M0287016 | NUT, SPEED |
| 005 | 007 | 12990524 | SCREW-SM/HEX RoHS |
| 005 | 008 | 12492202 | RELAY |
| 005 | 009 | 12470201 | COVER-VENT |
| 005 | 010 | 12990525 | SCREW-SM/HEX RoHS |
| 005 | 011 | 13045504 | NUT - M6 KEPS |
| 005 | 012 | 12152201 | WASHER-U TYPE |
| 005 | 013 | M0293512 | STUD -M6 |
| 005 | 014 | 10908901Q | WRAPPER- STAINLESS |
| 005 | 015 | 10785608 | COVER-LIGHT |
| 005 | 016 | 10909005 | TRIM-OC |
| 005 | 017 | 59001230 | COVER, HINGE- GRAY |
| 005 | 018 | 12990527 | SCREW-SM/HEX RoHS |
| 005 | 019 | 59002004 | SCREW |
| 005 | 020 | 13042002 | SCREW-TF/OVAL RoHS |
| 005 | 021 | M0288215 | NUT-SPEED |
| 005 | 022 | 13042001 | SCREW-TF/OVAL RoHS |
| 006 | 001 | R0150115 | COVER, STIRRER |
| 006 | 002 | R0130737 | KIT, STIRRER BLADE |
| 006 | 003 | 10825904Q | BLADE, STIRRER |
| 006 | 004 | 12004401 | SHAFT-STIRRER |
| 006 | 005 | 12189004 | BRKT-HINGE SUPPORT |
| 006 | 006 | 12000202 | SENSOR-TEMP |
| 006 | 007 | 13045501 | NUT-#6 KEPS |
| 006 | 008 | 59001208 | SCREW, HEX HEAD |
| 006 | 009 | M0202557 | SCREW-MACH |
| 006 | 010 | 13079102 | SCREW-MACH/SHLD |
| 006 | 011 | 13045502 | NUT -#8 KEPS |
| 006 | 012 | 59001208 | SCREW, HEX HEAD |
| 006 | 013 | M0213802 | SCREW-SM |
| 006 | 014 | 12188901 | RETAINER-TRAY |
| 006 | 015 | 12019002 | GASKET |

WIRING INFORMATION

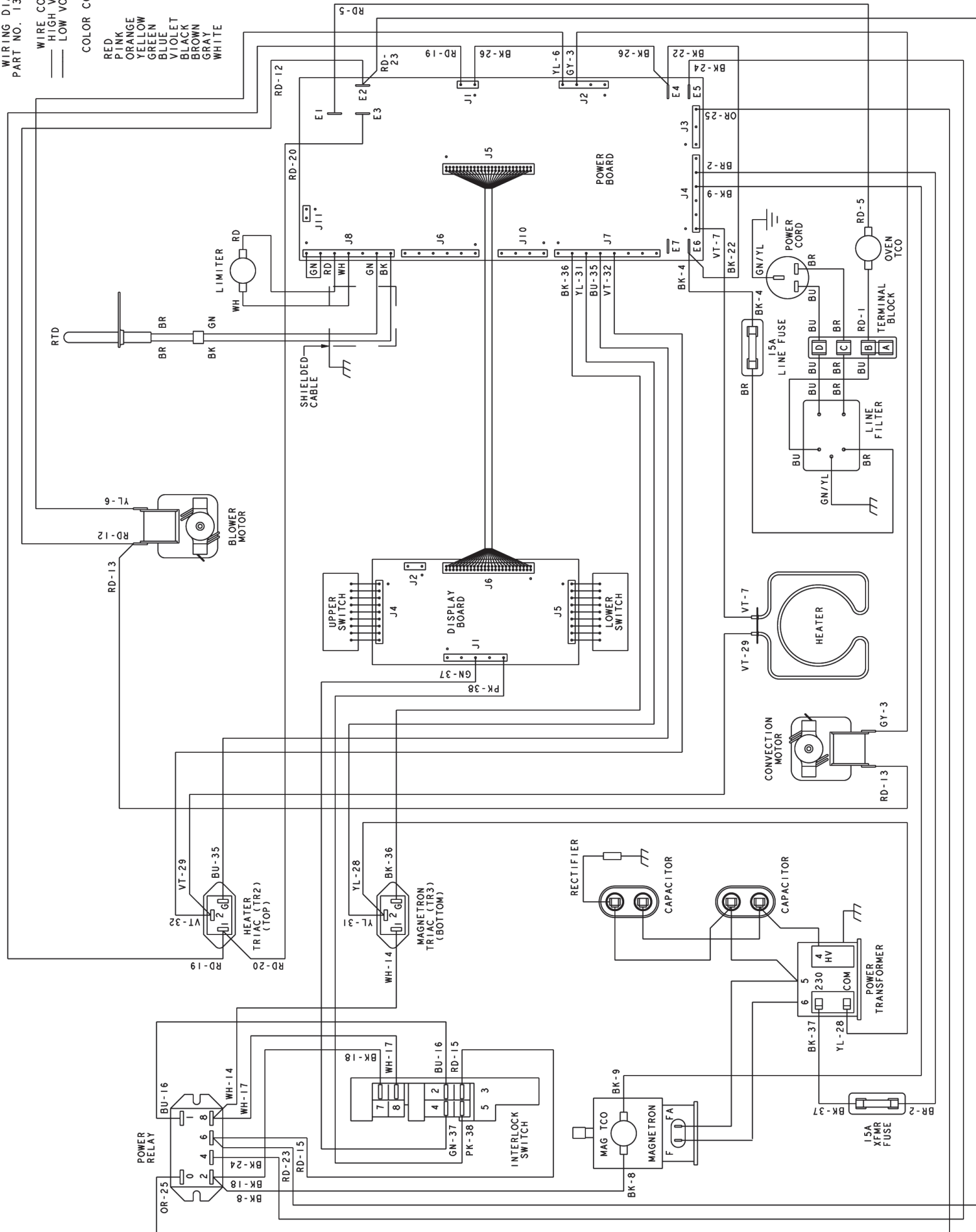
WIRING DIAGRAM
PART NO. 13070304

WIRE CODE
— HIGH VOLTAGE
— LOW VOLTAGE

COLOR CODE

RD
PK
OR
YL
GN
BU
VT
BK
BR
GY
WH

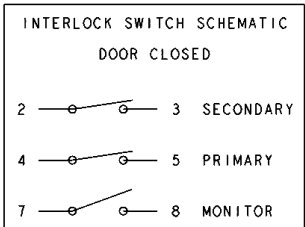
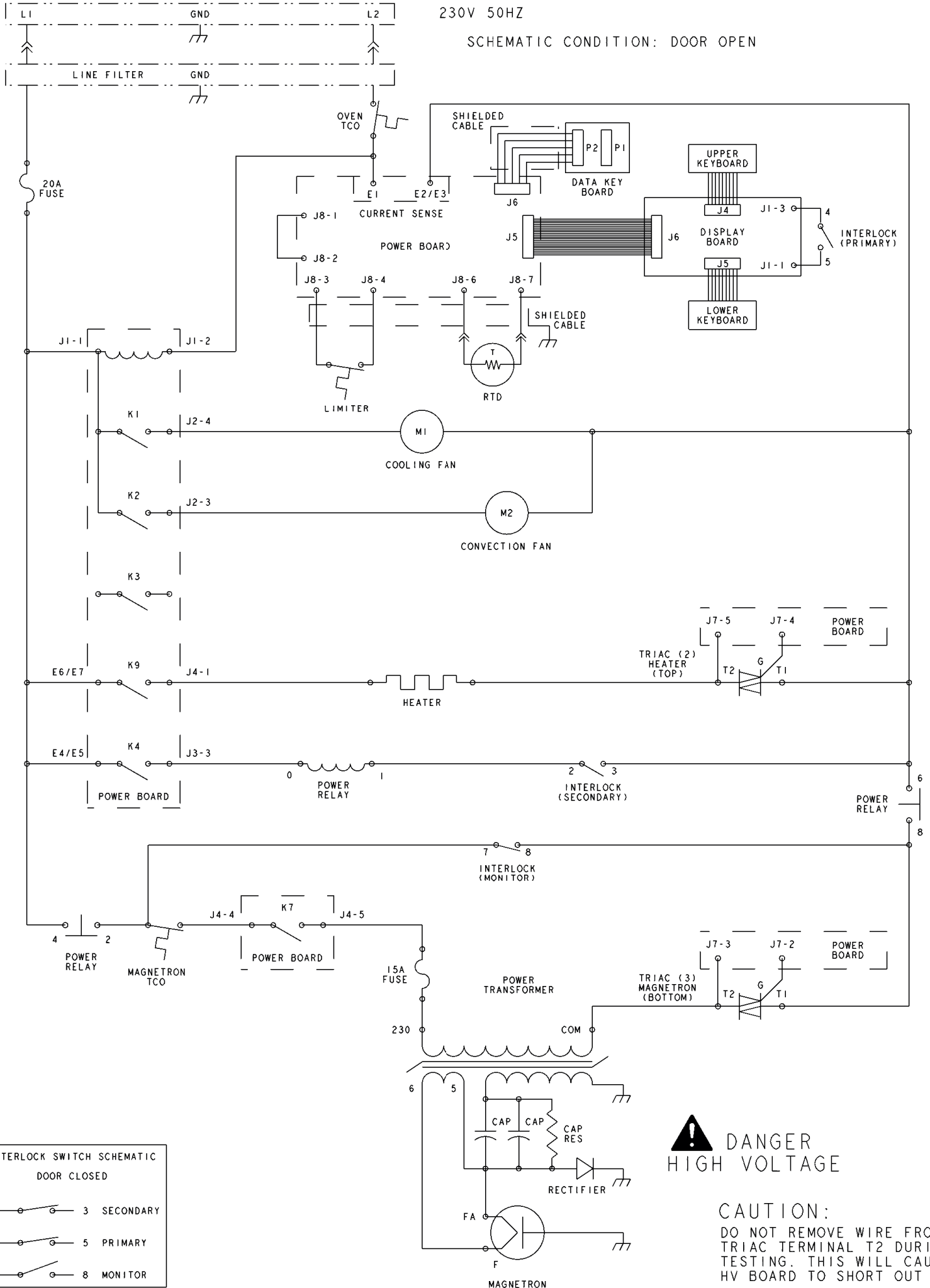
RED
PINK
ORANGE
YELLOW
GREEN
BLUE
VIOLET
BLACK
BROWN
GRAY
WHITE



WIRING INFORMATION

230V 50HZ

SCHEMATIC CONDITION: DOOR OPEN



⚠ DANGER
HIGH VOLTAGE

CAUTION:
DO NOT REMOVE WIRE FROM TRIAC TERMINAL T2 DURING TESTING. THIS WILL CAUSE HV BOARD TO SHORT OUT