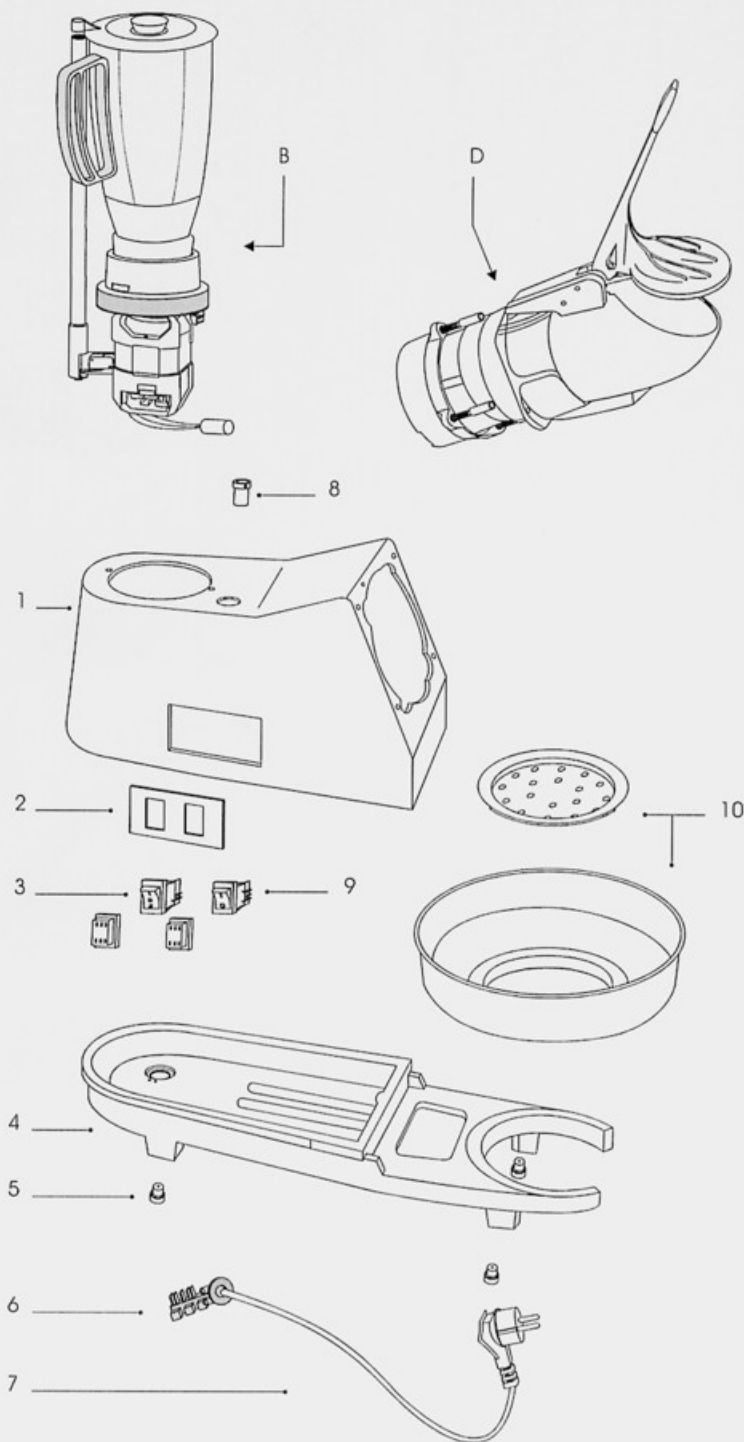


MODEL	EVOLUTION	TABLE	DATE
P508 /X	1	1	22/11/2002

N.	Code	Caratteristiche
----	------	-----------------

B	P100 CORP.	
D	TG6 CORP.	
1	C0001G105	
2	C0001G115	
3	C00061022	
4	C0001G106	
5	C00071614	
6	C00061611	
7	C00061517	230V-50/60Hz
	C000615171	110V-60Hz
8	C0004F354	
9	C00061021	
10	C0004T405	



Descriptions	
/X	stainless steel